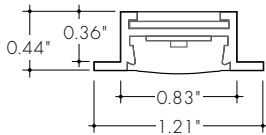


Features



- 24VDC Class 2 and IP68 rated for wet locations, fixtures made to order up to 144". Fixtures can be linked up to 48' depending on output
- Suitable for millwork, recessed, wet, outdoor, architectural reveals, and accent lighting applications
- Dot free even illumination with frosted lens
- Average Life (L70): 50,000hrs
- 3 year warranty
- High Color Quality options offer premium quality and vibrant colors with R9 values up to 97
- High Efficacy options offer best in class output and efficacy with over 660 lm/ft and up to 94 lm/W
- Proprietary strong bond solder method handles up to 50 lbs of pull force on wire leads and connectors



Finish Options (see page 3 for additional information)

Base	<input type="checkbox"/> Silver Anodized
Powder Coat	<input type="checkbox"/> Black <input type="checkbox"/> Bronze <input type="checkbox"/> White
Premium	<input type="checkbox"/> Matte Black <input type="checkbox"/> Warm Nickel <input type="checkbox"/> Aged Brass <input type="checkbox"/> Polished Gold <input type="checkbox"/> Chrome



Technical Information

MODEL	High Color Quality	High Efficacy				High Efficacy
OUTPUT OPTIONS	60X2HO	HE48LO	HE48SO	HE48MO	HE48HO	HE64VHO
Lumens Output (3000K) (with a Clear Lens)	447 lm/ft	177 lm/ft	246 lm/ft	328 lm/ft	526 lm/ft	666 lm/ft
Average Power Consumption (for a 4" section)	7.3 W/ft	1.9 W/ft	2.8 W/ft	3.5 W/ft	6.5 W/ft	7.5 W/ft
Efficacy	61 lm/W	93 lm/W	88 lm/W	94 lm/W	81 lm/W	89 lm/W
Max Run Length (in series)	26 ft	48 ft	42 ft	33 ft	21 ft	15 ft
Ambient Operating Temperature Range*	-15°F - 105°F (-25°C - 40°C)	-5°F - 125°F (-20°C - 50°C)		-15°F - 105°F (-25°C - 40°C)		-15°F - 105°F (-25°C - 40°C)

*Ambient Operating Temperature Range to maintain L70 of 50k+ hours in normal mounting conditions for the fixture. Exceeding Ambient Operating Temperature Range may result in decreased life/output. Consult Technical Support for specific inquiries.

High Color Quality (60X2HO)

CCT	Multiplier (reference - 3000K)	CRI	TM-30		
			R _f	R _g	R ₉
2700K	0.74	97	96	101	91
3000K	1.00	97	95	104	97
3500K	1.02	97	94	105	97
4100K	1.07	97	90	99	97

High Efficacy (HE48/HE64)

CCT	Multiplier (reference - 3000K)	CRI	TM-30		
			R _f	R _g	R ₉
2700K	0.94	92	90	99	46
3000K	1.00	92	89	99	62
3500K	1.02	92	89	99	58
4000K	1.02	92	86	94	52

Ordering Code

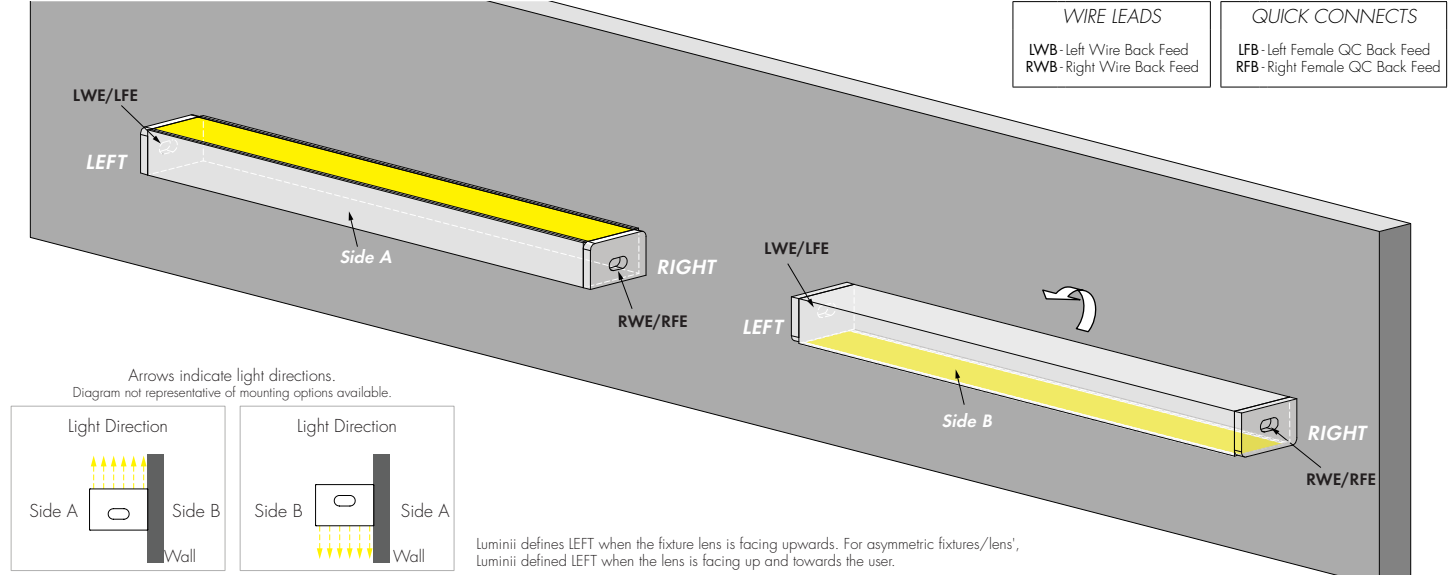
MODEL	LENGTH ¹	OUTPUT ²	CCT	LENS	MOUNTING	FINISH ³	FEED POSITION LEFT ⁵	FEED POSITION RIGHT ⁵																								
KRLW - Kendo L Wet Recessed	12" - 144" 2" increments	60X2HO - High	27K - 2700K 30K - 3000K 35K - 3500K 40K - 4000K	C - Clear Lens F - Frosted	HS - Hard Surface Mounting Bracket GS - Gypsum Surface Mounting Bracket NB - No Bracket	<table border="1"> <tr><td>BASE</td></tr> <tr><td>SA - Silver Anodized</td></tr> <tr><td>POWDER COAT</td></tr> <tr><td>BK - Black</td></tr> <tr><td>BZ - Bronze</td></tr> <tr><td>WH - White</td></tr> <tr><td>PREMIUM</td></tr> <tr><td>MBK - Matte Black</td></tr> <tr><td>WN - Warm Nickel</td></tr> <tr><td>AB - Aged Brass</td></tr> <tr><td>PG - Polished Gold⁴</td></tr> <tr><td>CH - Chrome⁴</td></tr> </table>	BASE	SA - Silver Anodized	POWDER COAT	BK - Black	BZ - Bronze	WH - White	PREMIUM	MBK - Matte Black	WN - Warm Nickel	AB - Aged Brass	PG - Polished Gold ⁴	CH - Chrome ⁴	<table border="1"> <tr><td>WIRE LEADS (72")</td></tr> <tr><td>LWB - Wire Back Feed</td></tr> <tr><td>LNPF - No Power Feed</td></tr> <tr><td>QUICK CONNECTS (6")</td></tr> <tr><td>LFB - Female Q/C, Back Feed</td></tr> <tr><td>LNPF - No Power Feed</td></tr> </table>	WIRE LEADS (72")	LWB - Wire Back Feed	LNPF - No Power Feed	QUICK CONNECTS (6")	LFB - Female Q/C, Back Feed	LNPF - No Power Feed	<table border="1"> <tr><td>WIRE LEADS (72")</td></tr> <tr><td>RWB - Wire Back Feed</td></tr> <tr><td>RNPF - No Power Feed</td></tr> <tr><td>QUICK CONNECTS (6")</td></tr> <tr><td>RFB - Female Q/C, Back Feed</td></tr> <tr><td>RNPF - No Power Feed</td></tr> </table>	WIRE LEADS (72")	RWB - Wire Back Feed	RNPF - No Power Feed	QUICK CONNECTS (6")	RFB - Female Q/C, Back Feed	RNPF - No Power Feed
BASE																																
SA - Silver Anodized																																
POWDER COAT																																
BK - Black																																
BZ - Bronze																																
WH - White																																
PREMIUM																																
MBK - Matte Black																																
WN - Warm Nickel																																
AB - Aged Brass																																
PG - Polished Gold ⁴																																
CH - Chrome ⁴																																
WIRE LEADS (72")																																
LWB - Wire Back Feed																																
LNPF - No Power Feed																																
QUICK CONNECTS (6")																																
LFB - Female Q/C, Back Feed																																
LNPF - No Power Feed																																
WIRE LEADS (72")																																
RWB - Wire Back Feed																																
RNPF - No Power Feed																																
QUICK CONNECTS (6")																																
RFB - Female Q/C, Back Feed																																
RNPF - No Power Feed																																

1 - Custom lengths and increments are available, please consult Inside Sales with specific request.
2 - All High Efficacy options can be used to comply with Title 24 JA8. High Color Quality options can be used to comply with Title 24 JA8 depending on Output, CCT, and lens selections, see multiplier charts to calculate specific efficacies.

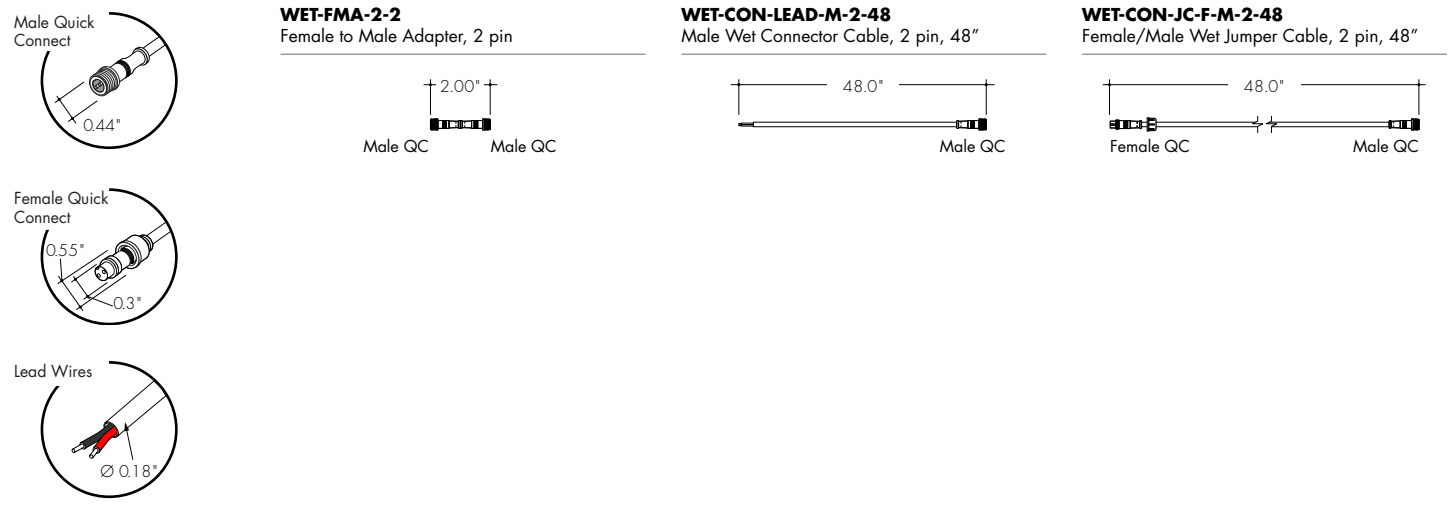
3 - Non Base finishes may have extended lead times. Custom RALs are available, please consult Inside Sales with specific request.
4 - Polished Gold finishes and Chrome finishes have a maximum fixture length of 96".
5 - LNPF - RNPF is not a valid configuration option

Powerfeeds and Connectors

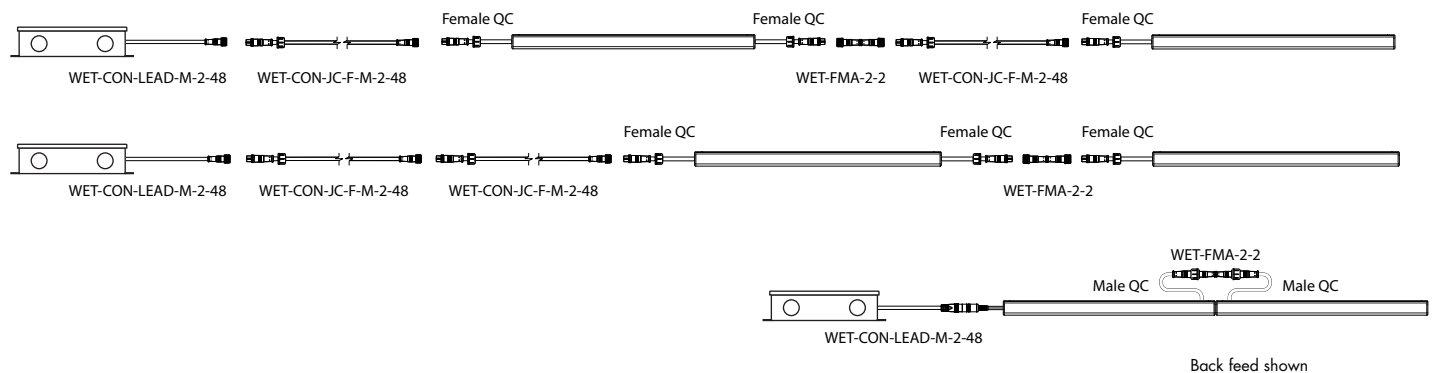
Power Feed Position Options and Orientation



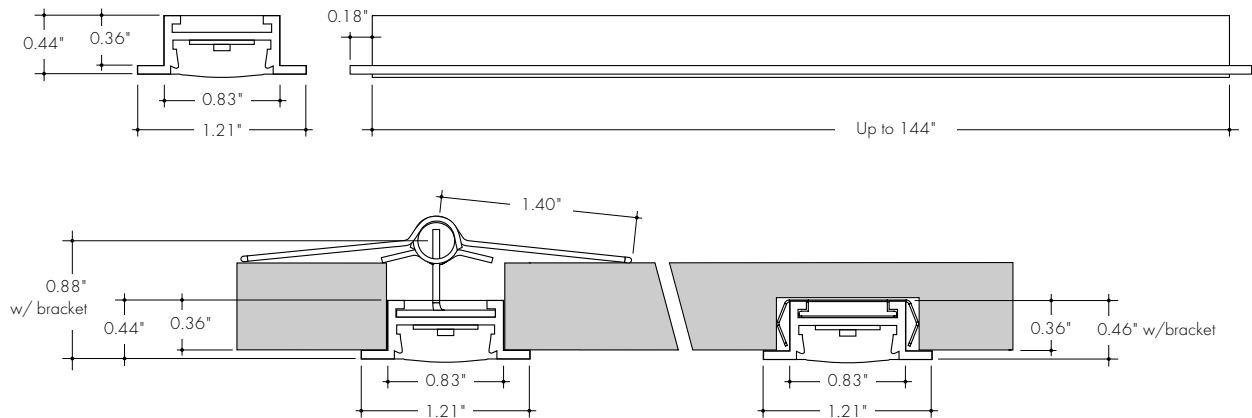
Linking and Extension Cable Options



Sample Layout



Product Dimensions

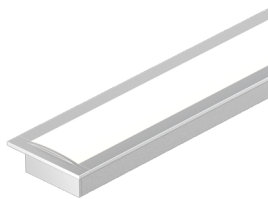


Note: Spring Bracket minimum ceiling thickness is 3/8", maximum ceiling thickness for drywall is 5/8".

Finish Options

- Finish options are available in a wide variety, allowing for complete customization of style and aesthetic.
- Non Base finishes may have extended lead times and price adder.
- Polished Gold and Chrome finishes have a maximum fixture length of 96".
- Custom RALs are available, please consult Inside Sales with specific request.

Silver Anodized Base



Silver Anodized is a soft silver with a clear finish.

Black Powder Coat



Black is a true deep black with a glossy finish.

Bronze Powder Coat



Bronze is a rich, dark brown with a satin finish.

White Powder Coat



White is a polar bright white and field paintable.

Matte Black Premium



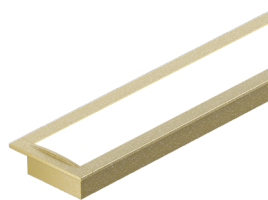
Matte Black is a dark, pitch-black with a soft flat finish.

Warm Nickel Premium



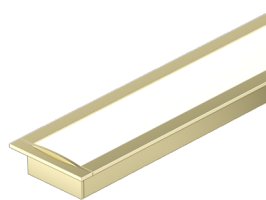
Warm Nickel is a soft, silvery smoke with warm tones and a satin finish.

Aged Brass Premium



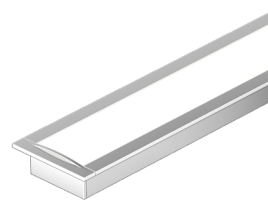
Aged Brass is a deep brown shade with slightly golden undertones.

Polished Gold Premium



Polished Gold is bright and radiant for a brilliant finish.

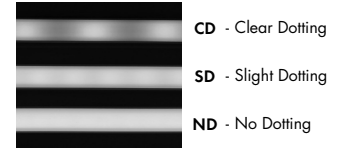
Chrome Premium



Chrome is a highly reflective silver polish.

Light Transmission and Dotting

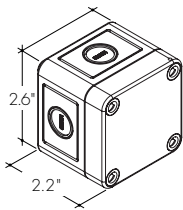
Output Options	Lens/Accessory							
	Clear Lens				Frosted Lens			
Dimming Level	100%	50%	10%	1%	100%	50%	10%	1%
60X2HO	CD	CD	CD	CD	ND	ND	SD	SD
HE48LO	CD	CD	CD	CD	ND	SD	SD	CD
HE48SO	CD	CD	CD	CD	ND	SD	SD	CD
HE48MO	CD	CD	CD	CD	ND	SD	SD	CD
HE48HO	CD	CD	CD	CD	ND	SD	SD	CD
HE64VHO	CD	CD	CD	CD	ND	ND	ND	ND
Transmission Percentage	100%				46%			



Accessory Options

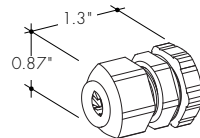
LVSP-WET

Splice box: wet rated, low voltage, gray

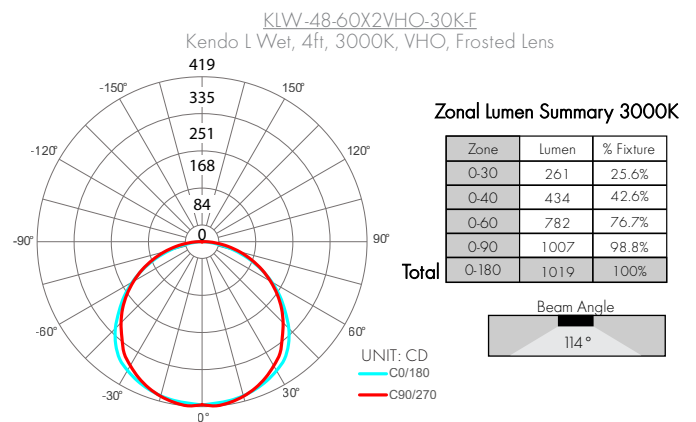
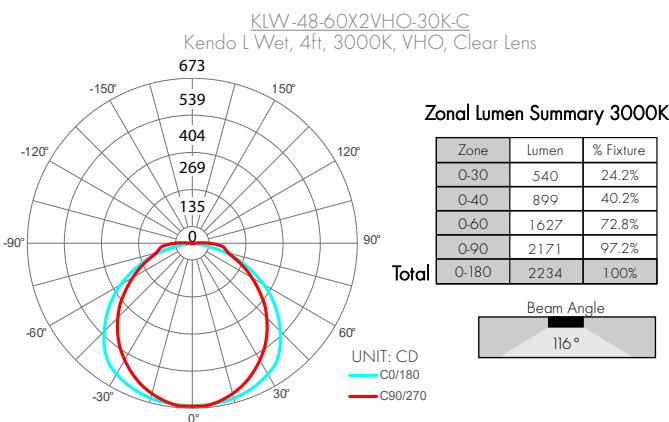


LVSP-WET-CM

Connector for splice box, low voltage for cable management, gray.



Photometry



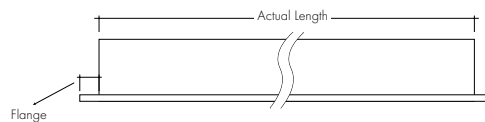
Power Consumption

Tested at Full Power with PS-UNI Series power supplies.

Standard Nominal Lengths offered provide minimal shadowing. For alternate lengths, please consult Inside Sales with specific request.

High Color Quality (60X2)

Nominal Length (in)	Actual Length	Watts	Nominal Length (in)	Actual Length	Watts	Nominal Length (in)	Actual Length	Watts	Nominal Length (in)	Actual Length	Watts
		HO			HO			HO			HO
12	10 11/16	8.3	47	—	—	82	81	45.4	117	116 3/16	61.1
13	12 2/16	8.3	48	47 4/16	28.2	83	82 7/16	46.3	118	117 9/16	62.1
14	13 8/16	8.9	49	48 11/16	29.3	84	83 13/16	46.7	119	119	62.5
15	14 15/16	9.5	50	—	—	85	—	—	120	—	—
16	—	—	51	50 1/16	29.9	86	85 4/16	47.2	121	120 6/16	63.5
17	16 5/16	10.1	52	51 8/16	31.0	87	86 10/16	48.1	122	121 13/16	63.8
18	17 12/16	11.3	53	52 14/16	31.5	88	—	—	123	—	—
19	—	—	54	—	—	89	88 1/16	48.5	124	123 3/16	64.2
20	19 2/16	11.9	55	54 5/16	32.1	90	89 7/16	49.4	125	124 10/16	64.9
21	20 9/16	13.1	56	55 11/16	33.1	91	90 14/16	49.9	126	—	—
22	21 15/16	13.7	57	—	—	92	—	—	127	126	65.2
23	—	—	58	57 2/16	33.7	93	92 4/16	50.3	128	127 7/16	65.9
24	23 6/16	14.3	59	58 8/16	34.8	94	93 11/16	51.2	129	128 13/16	66.3
25	24 12/16	15.5	60	59 15/16	35.3	95	—	—	130	—	—
26	—	—	61	—	—	96	95 1/16	51.7	131	130 4/16	66.6
27	26 3/16	16.1	62	61 5/16	35.9	97	96 8/16	52.6	132	131 10/16	67.3
28	27 9/16	17.3	63	62 12/16	36.9	98	97 14/16	53.0	133	—	—
29	29	17.9	64	—	—	99	—	—	134	133 1/16	67.6
30	—	—	65	64 2/16	37.4	100	99 5/16	53.5	135	134 7/16	68.2
31	30 6/16	19.1	66	65 9/16	38.4	101	100 11/16	54.4	136	135 14/16	68.5
32	31 13/16	19.7	67	66 15/16	38.9	102	—	—	137	—	—
33	—	—	68	—	—	103	102 2/16	54.8	138	137 4/16	68.8
34	33 3/16	20.3	69	68 6/16	39.4	104	103 8/16	55.7	139	138 11/16	69.3
35	34 10/16	21.6	70	69 12/16	40.4	105	104 15/16	56.1	140	—	—
36	—	—	71	—	—	106	—	—	141	140 1/16	69.6
37	36	22.2	72	71 3/16	40.9	107	106 5/16	56.5	142	141 8/16	70.2
38	37 7/16	23.3	73	72 9/16	41.9	108	107 12/16	57.4	143	142 14/16	70.5
39	38 13/16	23.9	74	74	42.4	109	—	—	144	—	—
40	—	—	75	—	—	110	109 2/16	57.9			
41	40 4/16	24.4	76	75 6/16	43.2	111	110 9/16	58.8			
42	41 10/16	25.5	77	76 13/16	43.7	112	111 15/16	59.3			
43	—	—	78	—	—	113	—	—			
44	43 1/16	26.0	79	78 3/16	44.1	114	113 6/16	59.7			
45	44 7/16	27.1	80	79 10/16	45.0	115	114 12/16	60.7			
46	45 14/16	27.7	81	—	—	116	—	—			



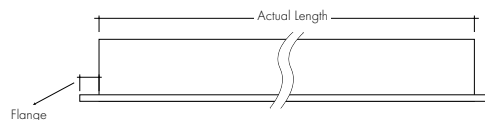
Power Consumption

Tested at Full Power with PS-UNI Series power supplies.

Standard Nominal Lengths offered provide minimal shadowing. For alternate lengths, please consult Inside Sales with specific request.

High Efficacy (HE48)

Nominal Length (in)	Actual Length	Watts				Nominal Length (in)	Actual Length	Watts				Nominal Length (in)	Actual Length	Watts				Nominal Length (in)	Actual Length	Watts			
		LO	SO	MO	HO			LO	SO	MO	HO			LO	SO	MO	HO			LO	SO	MO	HO
12	10 11/16	1.7	2.5	3.5	5.7	47	46 2/16	6.9	10.7	13.3	24.7	82	81 9/16	12.5	19.9	23.9	42.2	117	-	-	-	-	
13	12 11/16	1.7	2.5	3.5	5.7	48	-	-	-	-	-	83	-	-	-	-	-	118	117	17.5	27.7	34.3	58.7
14	-	-	-	-	-	49	48 2/16	7.1	11.2	13.9	25.4	84	83 9/16	12.8	20.3	24.5	43.1	119	119	17.8	28.1	34.9	59.6
15	14 10/16	2.0	3.0	4.0	7.2	50	-	-	-	-	-	85	-	-	-	-	-	120	-	-	-	-	-
16	-	-	-	-	-	51	50 1/16	7.4	11.7	14.5	26.3	86	85 8/16	13.1	20.8	25.1	44.1	121	120 15/16	18.1	28.6	35.5	60.5
17	16 10/16	2.4	3.5	4.6	8.7	52	-	-	-	-	-	87	-	-	-	-	-	122	-	-	-	-	-
18	-	-	-	-	-	53	52 1/16	7.7	12.3	15.1	27.4	88	87 8/16	13.4	21.3	25.7	45.0	123	122 15/16	18.3	29.0	36.0	62.1
19	18 9/16	2.7	3.9	5.2	10.2	54	-	-	-	-	-	89	-	-	-	-	-	124	-	-	-	-	-
20	-	-	-	-	-	55	54	8.0	12.9	15.7	28.5	90	89 7/16	13.7	21.7	26.3	46.0	125	124 14/16	18.4	29.5	36.6	63.8
21	20 9/16	3.0	4.4	5.8	11.7	56	56	8.4	13.5	16.4	29.5	91	-	-	-	-	-	126	-	-	-	-	-
22	-	-	-	-	-	57	-	-	-	-	-	92	91 7/16	14.0	22.1	26.9	47.0	127	126 14/16	18.6	29.9	37.2	65.4
23	22 8/16	3.4	4.9	6.4	13.2	58	57 15/16	8.7	14.0	17.0	30.6	93	-	-	-	-	-	128	-	-	-	-	-
24	-	-	-	-	-	59	-	-	-	-	-	94	93 6/16	14.3	22.6	27.5	47.9	129	128 13/16	18.8	30.4	37.7	67.0
25	24 8/16	3.7	5.4	7.0	14.7	60	59 15/16	9.0	14.6	17.6	31.6	95	-	-	-	-	-	130	-	-	-	-	-
26	-	-	-	-	-	61	-	-	-	-	-	96	95 6/16	14.4	22.8	27.8	48.4	131	130 13/16	18.9	30.8	38.3	68.6
27	26 7/16	4.1	5.9	7.5	15.8	62	61 14/16	9.4	15.2	18.2	32.6	97	-	-	-	-	-	132	-	-	-	-	-
28	-	-	-	-	-	63	-	-	-	-	-	98	97 5/16	14.7	23.3	28.5	49.4	133	132 12/16	19.1	31.2	38.9	70.2
29	28 7/16	4.4	6.4	8.1	16.8	64	63 14/16	9.7	15.6	18.7	33.7	99	-	-	-	-	-	134	-	-	-	-	-
30	-	-	-	-	-	65	-	-	-	-	-	100	99 5/16	15.0	23.7	29.0	50.4	135	134 12/16	19.3	31.8	39.4	70.7
31	30 6/16	4.8	6.9	8.7	17.9	66	65 13/16	10.0	16.1	19.2	34.7	101	-	-	-	-	-	136	-	-	-	-	-
32	-	-	-	-	-	67	-	-	-	-	-	102	101 4/16	15.3	24.1	29.6	51.3	137	136 11/16	19.5	32.3	40.0	71.2
33	32 6/16	5.0	7.2	9.0	18.5	68	67 13/16	10.4	16.5	19.8	35.7	103	-	-	-	-	-	138	-	-	-	-	-
34	-	-	-	-	-	69	-	-	-	-	-	104	103 4/16	15.6	24.6	30.2	52.3	139	138 11/16	19.8	32.8	40.6	71.8
35	34 5/16	5.4	7.7	9.6	19.5	70	69 12/16	10.7	17.0	20.3	36.7	105	-	-	-	-	-	140	-	-	-	-	-
36	-	-	-	-	-	71	-	-	-	-	-	106	105 3/16	15.8	25.0	30.7	53.2	141	140 10/16	20.0	33.3	41.1	72.3
37	36 5/16	5.7	8.2	10.2	20.6	72	71 12/16	11.0	17.4	20.8	37.7	107	-	-	-	-	-	142	-	-	-	-	-
38	-	-	-	-	-	73	-	-	-	-	-	108	107 3/16	16.1	25.5	31.3	54.2	143	142 10/16	20.2	33.9	41.7	72.8
39	38 4/16	6.0	8.7	10.8	21.5	74	73 11/16	11.3	17.9	21.4	38.7	109	-	-	-	-	-	144	-	-	-	-	-
40	-	-	-	-	-	75	-	-	-	-	-	110	109 2/16	16.4	25.9	31.9	55.2						
41	40 4/16	6.2	9.2	11.4	22.3	76	75 11/16	11.6	18.4	22.0	39.6	111	-	-	-	-	-						
42	-	-	-	-	-	77	-	-	-	-	-	112	111 2/16	16.7	26.4	32.5	56.1						
43	42 3/16	6.4	9.7	12.0	23.1	78	77 10/16	11.9	18.9	22.7	40.5	113	-	-	-	-	-						
44	-	-	-	-	-	79	-	-	-	-	-	114	113 1/16	17.0	26.8	33.1	57.0						
45	44 3/16	6.7	10.2	12.6	23.9	80	79 10/16	12.2	19.4	23.3	41.4	115	-	-	-	-	-						
46	-	-	-	-	-	81	-	-	-	-	-	116	115 1/16	17.3	27.3	33.7	57.9						



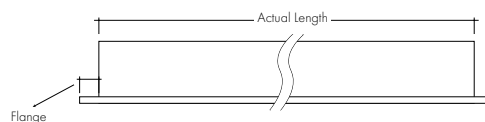
Power Consumption

Tested at Full Power with PS-UNI Series power supplies.

Standard Nominal Lengths offered provide minimal shadowing. For alternate lengths, please consult Inside Sales with specific request.

High Efficacy (HE64)

Nominal Length (in)	Actual Length	Watts	Nominal Length (in)	Actual Length	Watts	Nominal Length (in)	Actual Length	Watts	Nominal Length (in)	Actual Length	Watts
		VHO			VHO			VHO			
12	11 8/16	7.6	47	46 5/16	28.2	82	81 2/16	50.4	117	—	—
13	13	7.6	48	47 13/16	29.5	83	82 10/16	51.7	118	117 8/16	72.8
14	—	—	49	—	—	84	—	—	119	119	73.3
15	14 8/16	8.9	50	49 5/16	30.1	85	84 3/16	52.3	120	—	—
16	—	—	51	50 14/16	31.4	86	85 11/16	53.6	121	120 8/16	74.4
17	16	9.5	52	—	—	87	—	—	122	—	—
18	17 9/16	10.7	53	52 6/16	32.0	88	87 3/16	54.2	123	122	74.8
19	—	—	54	53 14/16	33.3	89	88 11/16	55.5	124	123 8/16	75.6
20	19 1/16	11.4	55	—	—	90	—	—	125	—	—
21	20 9/16	12.6	56	55 6/16	34.0	91	90 3/16	56.2	126	125 1/16	76.0
22	—	—	57	56 14/16	35.2	92	91 12/16	57.5	127	126 9/16	76.8
23	22 1/16	13.2	58	—	—	93	—	—	128	—	—
24	23 9/16	14.5	59	58 7/16	36.5	94	93 4/16	58.2	129	128 1/16	77.2
25	—	—	60	59 15/16	37.2	95	94 12/16	59.5	130	129 9/16	78.0
26	25 2/16	15.1	61	—	—	96	—	—	131	—	—
27	26 10/16	16.4	62	61 7/16	38.4	97	96 4/16	60.1	132	131 2/16	78.4
28	—	—	63	62 15/16	39.1	98	97 13/16	61.4	133	132 10/16	79.2
29	28 2/16	17.0	64	—	—	99	—	—	134	—	—
30	29 10/16	18.2	65	64 8/16	40.4	100	99 5/16	62.0	135	134 2/16	79.6
31	—	—	66	66	41.0	101	100 13/16	63.2	136	135 10/16	80.3
32	31 3/16	18.9	67	—	—	102	—	—	137	—	—
33	32 11/16	20.1	68	67 8/16	42.3	103	102 5/16	63.8	138	137 2/16	80.6
34	—	—	69	—	—	104	103 13/16	65.0	139	138 11/16	81.3
35	34 3/16	20.7	70	69	42.9	105	—	—	140	—	—
36	35 11/16	22.0	71	70 8/16	44.2	106	105 6/16	65.6	141	140 3/16	81.7
37	—	—	72	—	—	107	106 14/16	66.8	142	141 11/16	82.4
38	37 3/16	22.6	73	72 1/16	44.9	108	—	—	143	—	—
39	38 12/16	23.9	74	73 9/16	46.1	109	108 6/16	67.4	144	143 3/16	82.7
40	—	—	75	—	—	110	109 14/16	68.5			
41	40 4/16	24.5	76	75 1/16	46.7	111	—	—			
42	41 12/16	25.7	77	76 9/16	48.0	112	111 7/16	69.6			
43	—	—	78	—	—	113	112 15/16	70.1			
44	43 4/16	26.4	79	78 2/16	48.6	114	—	—			
45	44 13/16	27.6	80	79 10/16	49.8	115	114 7/16	71.2			
46	—	—	81	—	—	116	115 15/16	71.7			



Voltage Drop Calculator

The below chart assumes nominal voltage of 24 Volts and a Voltage Drop Allowance of 3% through the wire

Wattage [W]	Maximum Wire Length From Power Supply to Start of Run [ft]						
	12 AWG	14 AWG	16 AWG	18 AWG	20 AWG	22 AWG	24 AWG
5	1088.2	684.4	430.3	270.6	170.2	107.1	67.3
10	544.1	342.2	215.1	135.3	85.1	53.5	33.7
15	362.7	228.1	143.4	90.2	56.7	35.7	22.4
20	272.0	171.1	107.6	67.7	42.6	26.8	16.8
25	217.6	136.9	86.1	54.1	34.0	21.4	13.5
30	181.4	114.1	71.7	45.1	28.4	17.8	11.2
35	155.5	97.8	61.5	38.7	24.3	15.3	9.6
40	136.0	85.5	53.8	33.8	21.3	13.4	8.4
45	120.9	76.0	47.8	30.1	18.9	11.9	7.5
50	108.8	68.4	43.0	27.1	17.0	10.7	6.7
55	98.9	62.2	39.1	24.6	15.5	9.7	6.1
60	90.7	57.0	35.9	22.6	14.2	8.9	5.6
65	83.7	52.6	33.1	20.8	13.1	8.2	5.2
70	77.7	48.9	30.7	19.3	12.2	7.6	4.8
75	72.5	45.6	28.7	18.0	11.3	7.1	4.5
80	68.0	42.8	26.9	16.9	10.6	6.7	4.2
85	64.0	40.3	25.3	15.9	10.0	6.3	4.0
90	60.5	38.0	23.9	15.0	9.5	5.9	3.7
96	56.7	35.6	22.4	14.1	8.9	5.6	3.5

Power Supplies

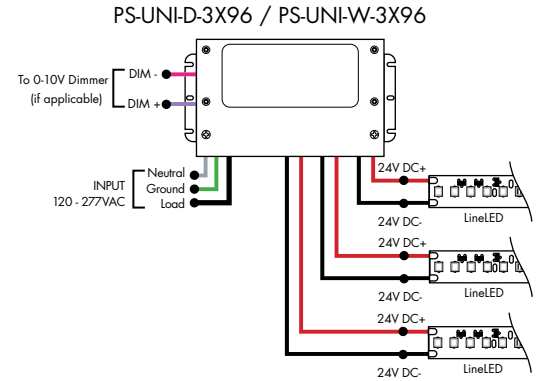
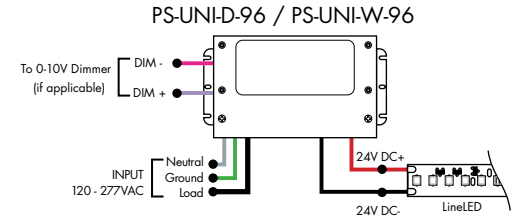
See Power Supply instructions and spec sheet for wiring information. For a complete list of compatible dimmers, see Compatible Dimming Chart on the Resources page.

Ordering Code Universal Dimming Power Supplies 1% 120VAC - 277VAC

MODEL	INPUT CONTROL	ENVIRONMENT	WATTAGE	OUTPUT
PS-Power Supply, 120-277VAC	UNI-0-10V Dimming, Phase Dimming	D-Dry W-Wet	30-30 Watts 60-60 Watts 96-96 Watts 3x96-3x96 Watts	24-24 VDC

Compatibility: View a complete list of compatible dimmers on product page [\(Link\)](#)

0-10V - 1% dimming
MLV/ELV/TRIAC - 1% dimming, consult dimming compatibility chart



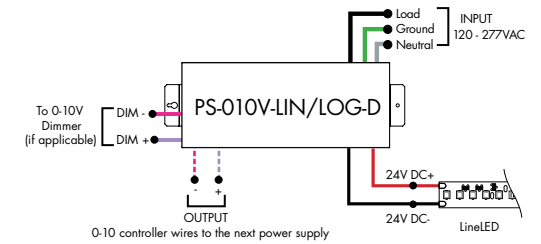
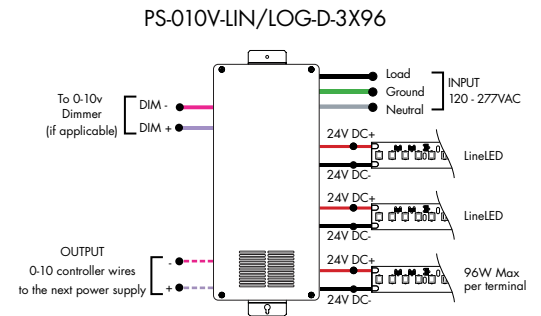
MODELS	PS-UNI-W-30W	PS-UNI-W-60W	PS-UNI-W-96W	PS-UNI-W-3X96W
Length	6.50"	7.40"	8.66"	11.85"
Width	3.73"	3.73"	3.73"	4.32"
Depth	1.61"	1.61"	1.61"	1.81"

MODELS	PS-UNI-D-30W	PS-UNI-D-60W	PS-UNI-D-96W	PS-UNI-D-3X96W
Length	8.77"	8.77"	8.11"	9.94"
Width	4.27"	4.27"	5.60"	7.61"
Depth	1.83"	1.83"	1.83"	2.02"

Ordering Code 0-10V Dimming Power Supplies 0.1% 120VAC - 277VAC

MODEL	INPUT CONTROL	ENVIRONMENT	WATTAGE	OUTPUT
PS-Power Supply, 120-277VAC	010V-LIN-0-10V Dimming (0.1%), Linear 010V-LOG-0-10V Dimming (0.1%), Logarithmic	D-Dry	96-96 Watts 3X96-3x96 Watts	24-24 VDC

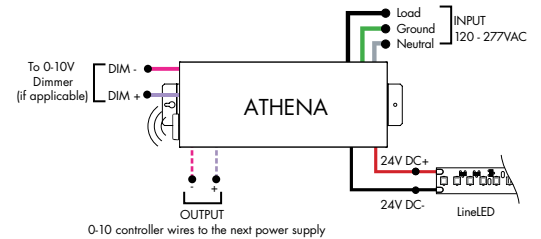
MODELS	96W	3X96
Length	14.40"	15.00"
Width	5.20"	6.62"
Depth	2.60"	4.45"



Athena 0-10V LED Driver

MODEL	INPUT CONTROL	ENVIRONMENT	WATTAGE	OUTPUT	FEATURE
PS-Power Supply, 120-277VAC	010V-LIN-0-10V Dimming, Linear 010V-LOG-0-10V Dimming, Logarithmic	D-Dry	96-96 W	24-24 VDC	AWNR-Athena

MODELS	96W
Length	14.40"
Width	5.20"
Depth	2.60"



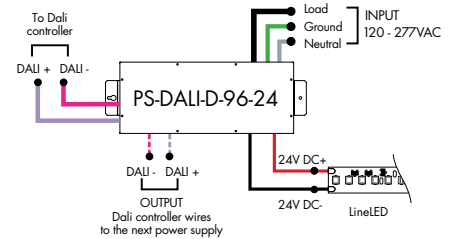
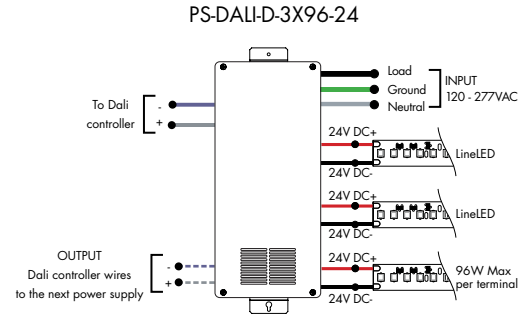
Power Supplies

See Power Supply instructions and spec sheet for wiring information. For a complete list of compatible dimmers, see Compatible Dimming Chart on the Resources page.

Ordering Code DALI Dimming Power Supplies 0.1% 120VAC - 277VAC

MODEL	INPUT CONTROL	ENVIRONMENT	WATTAGE	OUTPUT
PS-Power Supply, 120-277VAC	DALI-DALI (0.1%)	D-Dry	96-96 Watts 3X96-3X96 Watts	24-24 VDC

Model	96W	3X96
Length	14.40"	15.00"
Width	5.20"	6.62"
Depth	2.60"	4.56"

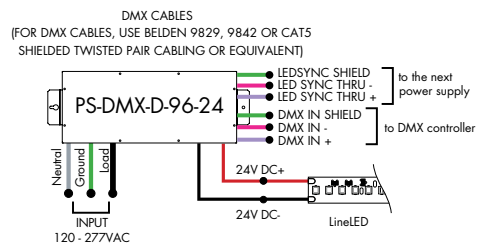
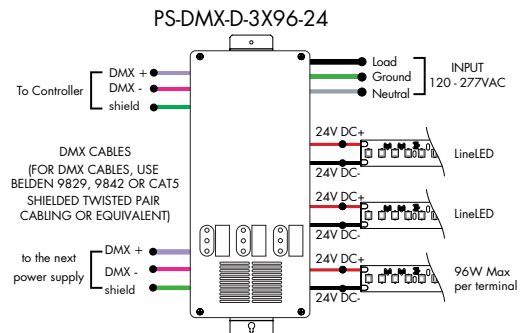


Ordering Code DMX Dimming Power Supplies 0.1% 120VAC - 277VAC Requires Zonal Control

MODEL	INPUT CONTROL	ENVIRONMENT	WATTAGE	OUTPUT
PS-Power Supply, 120-277VAC	DMX-DMX (0.1%)	D-Dry	96-96 Watts 3X96-3X96 Watts	24-24 VDC

*Zonal control power supplies. Control multiple tapes/zones using DMX channels.

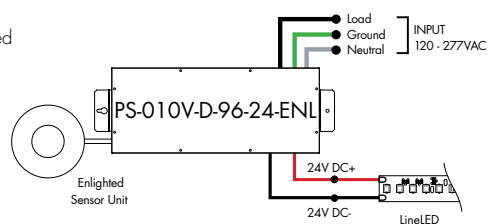
MODELS	96W	3X96
Length	14.40"	15.00"
Width	5.20"	6.62"
Depth	2.60"	4.56"



Ordering Code Enlighted Enabled Dimming Power Supplies 1% 120VAC - 277VAC

MODEL	INPUT CONTROL	ENVIRONMENT	WATTAGE	OUTPUT	FEATURE
PS-Power Supply, 120-277VAC	010V-0-10V Dimming (1%)	D-Dry	96-96 Watts	24-24 VDC	ENL-0-10V Enlightened

Model	96W
Length	14.40"
Width	5.20"
Depth	2.60"

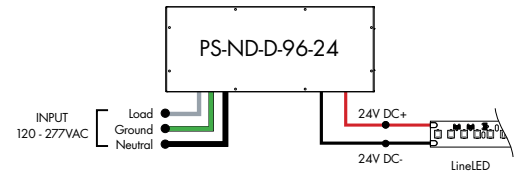


Power Supplies

See Power Supply instructions and spec sheet for wiring information. For a complete list of compatible dimmers, see Compatible Dimming Chart on the Resources page.

Ordering Code Non-Dimming Power Supply 120VAC - 277VAC

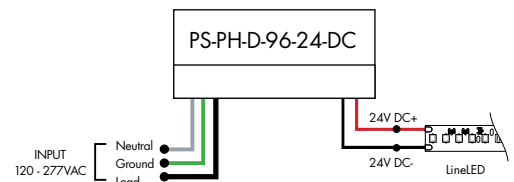
MODEL	INPUT CONTROL	ENVIRONMENT	WATTAGE	OUTPUT
PS - Power Supply, 120-277VAC	ND - Non Dimming	D - Dry	96-96 Watts	24 - 24 VDC



MODELS	96W
Length	14.40"
Width	5.20"
Depth	2.60"

Ordering Code Phase Dimming Power Supply 1% 120VAC - 277VAC

MODEL	INPUT CONTROL	ENVIRONMENT	WATTAGE	OUTPUT	OUTPUT CONTROL
PS - Power Supply, 120-277VAC	PH - Phase Dimming (Triac, ELV, MLV)	D - Dry	96 - 96 Watts	24 - 24 VDC	DC - Direct Current



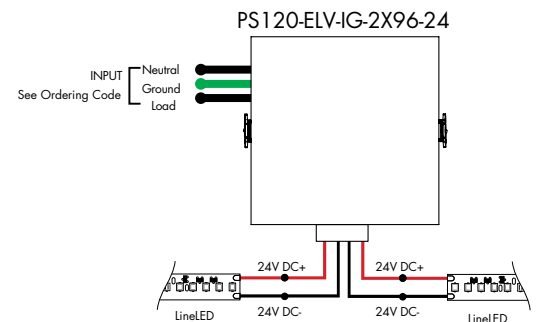
NOTE:
OVER THE WHITE, GREEN, AND BLACK WIRES,
CONNECT TO ELV OR MLV DIMMER

MLV/ELV/TRIAC - 1% dimming, consult dimming compatibility chart ([Link](#))

MODELS	96W
Length	8.25"
Width	4.10"
Depth	1.56"

Ordering Code In-Ground Power Supplies

MODEL	INPUT CONTROL	ENVIRONMENT	WATTAGE	OUTPUT
PS120 - Power Supply, 120VAC PS240 - Power Supply, 240VAC PS277 - Power Supply, 277VAC	ELV - ELV Dimming (1%)	IG - In Ground	2X96 - 2X96 Watts	24 - 24 VDC



MODELS	2X96W
Length	8.40"
Width	8.30"
Depth	8.10"

Power Supplies

See Power Supply instructions and spec sheet for wiring information. For a complete list of compatible dimmers, see Compatible Dimming Chart on the Resources page.



Luminii is a Lutron OEM Advantage Partner

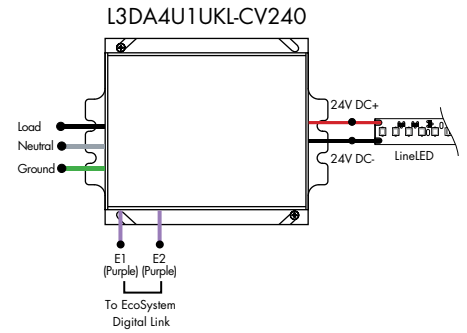
Lutron Power Supplies 1%

MODEL

L3DA4U1UKL-CV240

HiLume™ 1% EcoSystem Voltage LED driver
40W max

MODELS	L3DA4U1UKL-CV240
Length	4.98"
Width	4.00"
Depth	2.62"



Luminii is a Lutron OEM Advantage Partner

Lutron Power Supplies 0.1%

MODEL

L3D0-96W24V-U

HiLume™ 0.1% EcoSystem Voltage LED Driver with Soft-On, Fade-to-Black™
96W max

MODELS	L3D0
Length	10.50"
Width	5.50"
Depth	2.00"

