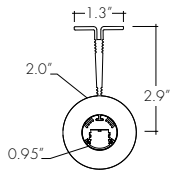




Features

- 24VDC Class 2 fixtures made to order up to 76". Fixtures can be linked up to 40' depending on output
- Suitable for illuminating clothing and other hanging items.
- Approved for closet/storage space installation per NEC 410.16(A) (3) and 410.16(C)(5) on outputs 5.7W/ft or less
- Class 2 listed for damp locations
- Dot free even illumination with frosted lens
- Average Life (L70): 50,000hrs
- 7 year warranty
- High Color Quality options offer premium quality and vibrant colors with R9 values up to 97
- High Efficacy options offer best in class output and efficacy with over 380 lm/ft and up to 111 lm/W
- 1/2" of space from LED is available on either end of the extrusion for field cutting.
- Proprietary strong bond solder method handles up to 50 lbs of pull force on wire leads and connectors.



Finish Options (see page 3 for additional information)

- Base Silver Anodized
- Powder Coat Black Bronze White
- Premium Matte Black Warm Nickel Aged Brass Polished Gold Chrome



Technical Information

MODEL	High Color Quality		High Efficacy		
	72SO	72HO	HE48LO	HE48SO	HE48MO
OUTPUT OPTIONS					
Lumens Output (3000K) <small>(with a Clear Lens)</small>	215 lm/ft	349 lm/ft	209 lm/ft	289 lm/ft	387 lm/ft
Average Power Consumption <small>(for a 4' section)</small>	2.8 W/ft	4.8 W/ft	1.9 W/ft	2.8 W/ft	3.5 W/ft
Efficacy	77 lm/W	73 lm/W	110 lm/W	103 lm/W	111 lm/W
Max Run Length <small>(in series)</small>	40 ft	31 ft	48 ft	42 ft	33 ft
Ambient Operating Temperature Range	-5°F - 95°F <small>(-20°C - 35°C)</small>	-5°F - 90°F <small>(-20°C - 30°C)</small>	-5°F - 95°F <small>(-20°C - 35°C)</small>	-5°F - 95°F <small>(-20°C - 35°C)</small>	-5°F - 90°F <small>(-20°C - 30°C)</small>

High Color Quality (72)

CCT	Multiplier <small>(reference - 3000K)</small>	CRI	TM-30		
			R _f	R _g	R ₉
1900K	0.55	96	94	97	90
2200K	0.70	96	95	101	89
2400K	0.72	98	97	101	91
2700K	0.74	97	96	101	91
3000K	1.00	97	95	104	97
3500K	1.02	97	94	105	97
4100K	1.07	97	90	99	97

High Efficacy (HE48/HE64)

CCT	Multiplier <small>(reference - 3000K)</small>	CRI	TM-30		
			R _f	R _g	R ₉
2200K	0.73	92	91	97	42
2500K	0.81	93	96	96	62
2700K	0.94	92	90	99	58
3000K	1.00	92	89	99	57
3500K	1.02	92	89	99	60
4000K	1.02	92	86	94	71

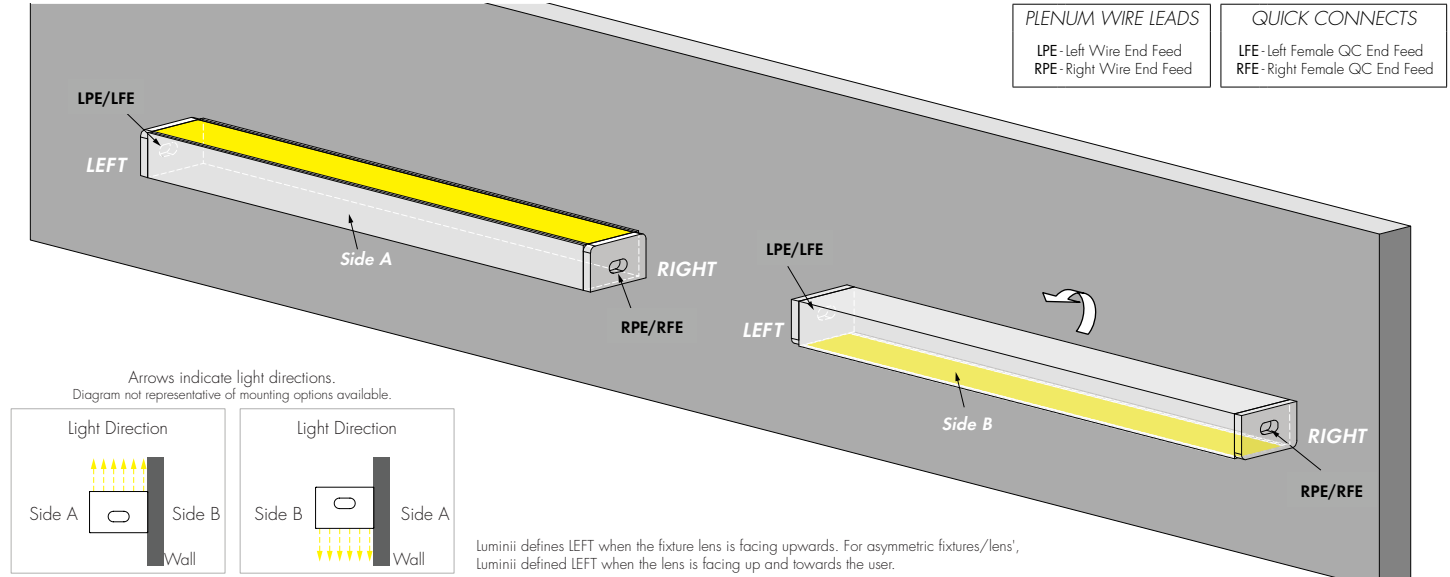
Ordering Code

MODEL	LENGTH ¹	OUTPUT ²	CCT	LENS	MOUNTING	FINISH ³	FEED POSITION LEFT ⁵	FEED POSITION RIGHT ⁵
KCR-Kendo Closet Rod	12" - 76" 2" increments	72SO-Standard 72HO-High	19K-1900K 22K-2200K 24K-2400K 27K-2700K 30K-3000K 35K-3500K 41K-4100K	C-Clear F-Frosted	EM-End Mounting SM-Stem Mounting	BASE SA-Silver Anodized	PLENUM WIRE END FEED (72") LPE-Wire End Feed LNPF-No Power Feed	PLENUM WIRE END FEED (72") RPE-Wire End Feed RNPF-No Power Feed
			22K-2200K 25K-2500K 27K-2700K 30K-3000K 35K-3500K 40K-4000K			PREMIUM MBK-Matte Black WN-Warm Nickel AB-Aged Brass PG-Polished Gold ⁴ CH-Chrome ⁴		

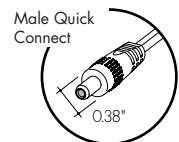
1 - Custom lengths and increments are available, please consult Inside Sales with specific request.
 2 - All High Efficacy options can be used to comply with Title 24 JAB. High Color Quality options can be used to comply with Title 24 JAB depending on Output, CCT, and lens selections. See multiplier charts to calculate specific efficacies.
 3 - Non Base finishes may have extended lead times. Custom RALs are available, please consult Inside Sales with specific request.
 4 - Polished Gold finishes and Chrome finishes have a maximum fixture length of 96"
 5 - LNPF - RNPF is not a valid configuration option

Powerfeeds and Connectors

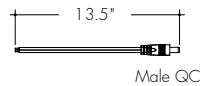
Power Feed Position Options and Orientation



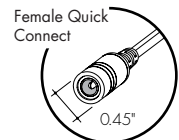
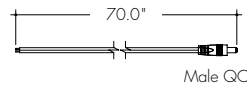
Linking and Extension Cable Options



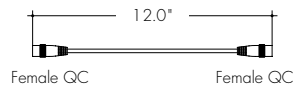
LMC-12
Male quick-connect, 2 pin, 12"



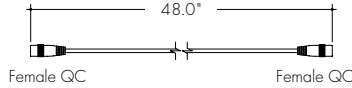
LMC-70
Male quick-connect long, 2 pin, 70"



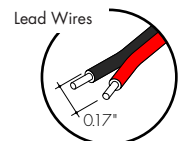
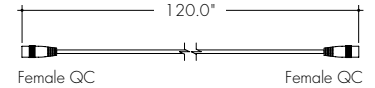
EC-12
Female to Female Extension Cable, 2 pin, 12"



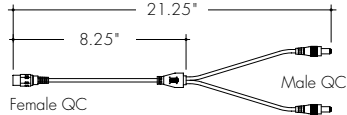
EC-48
Female to Female Extension Cable, 2 pin, 48"



EC-120
Female to Female Extension Cable, 2 pin, 120"



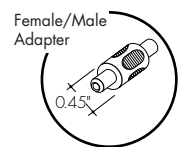
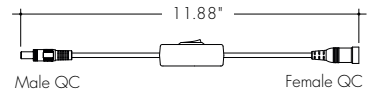
LYC
1 Female to 2 Male Splitter Cable, 2 pin, 12"



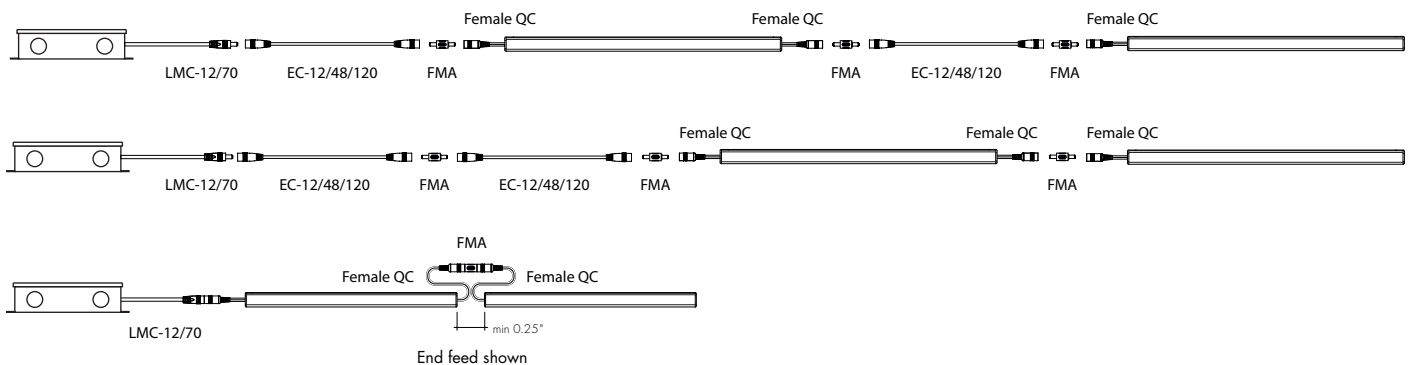
FMA
Female to male adapter



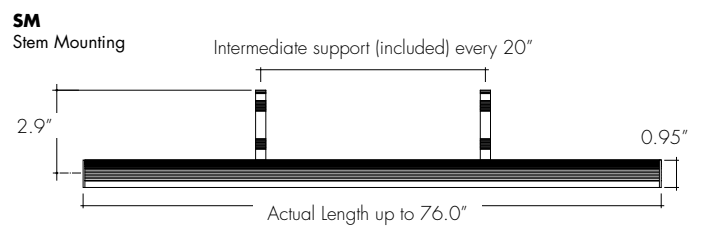
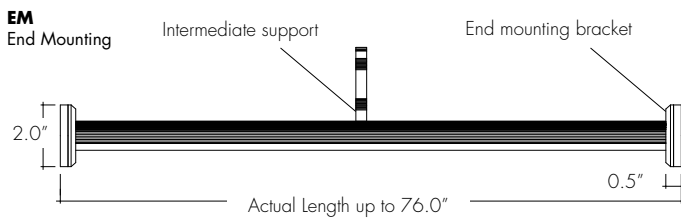
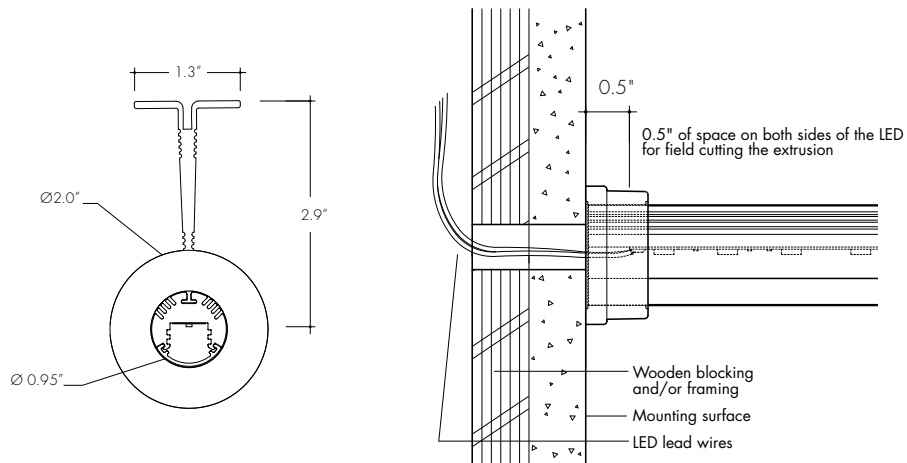
IS-DC
Male to Female Inline DC Switch, 2 pin, 12"



Sample Layout



Product Dimensions



Finish Options

- Finish options are available in a wide variety, allowing for complete customization of style and aesthetic.
- Non Base finishes may have extended lead times and price adder.
- Polished Gold and Chrome finishes have a maximum fixture length of 96".
- Custom RALs are available, please consult Inside Sales with specific request.

Silver Anodized Base



Silver Anodized is a soft silver with a clear finish.

Black Powder Coat



Black is a true deep black with a glossy finish.

Bronze Powder Coat



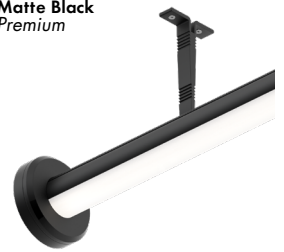
Bronze is a rich, dark brown with a satin finish.

White Powder Coat



White is a polar bright white and field paintable.

Matte Black Premium



Matte Black is a dark, pitch-black with a soft flat finish.

Warm Nickel Premium



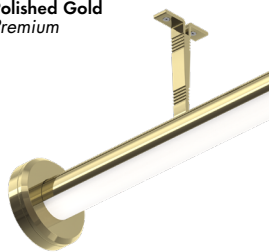
Warm Nickel is a soft, silvery smoke with warm tones and a satin finish.

Aged Brass Premium



Aged Brass is a deep brown shade with slightly golden undertones.

Polished Gold Premium



Polished Gold is bright and radiant for a brilliant finish.

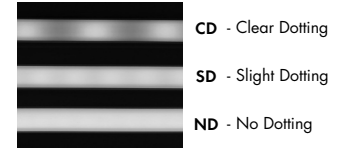
Chrome Premium



Chrome is a highly reflective silver polish.

Light Transmission and Dotting

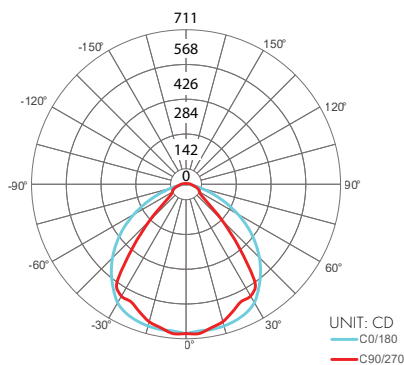
Output Options	Lens/Accessory							
	Clear				Frosted			
Dimming Level	100%	50%	10%	1%	100%	50%	10%	1%
72SO	CD	CD	CD	CD	ND	ND	ND	ND
72HO	CD	CD	CD	CD	ND	ND	ND	ND
HE48LO	CD	CD	CD	CD	ND	ND	ND	ND
HE48SO	CD	CD	CD	CD	ND	ND	ND	ND
HE48MO	CD	CD	CD	CD	ND	ND	ND	ND
Transmission Percentage	100%				69%			



Photometry

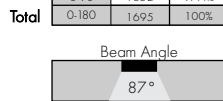
KCR-48-72HO-30K-C

Kendo Closet Rod, 4ft, 3000K, HO, Clear Lens



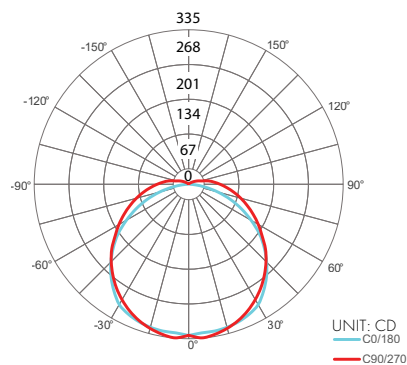
Zonal Lumen Summary 3000K

Zone	Lumen	% Fixture
0-30	542	32.0%
0-40	893	52.6%
0-60	1442	85.1%
0-90	1652	97.4%
0-180	1695	100%



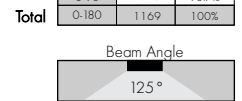
KCR-48-72HO-30K-F

Kendo Closet Rod, 4ft, 3000K, HO, Frosted Lens



Zonal Lumen Summary 3000K

Zone	Lumen	% Fixture
0-30	258	22.0%
0-40	428	36.7%
0-60	784	67.1%
0-90	1095	93.7%
0-180	1169	100%



Power Consumption

Tested at Full Power with PS-UNI Series power supplies.

Standard Nominal Lengths offered provide minimal shadowing. For alternate lengths, please contact factory with specific request.

High Color Quality (72)

Nominal Length (in)	Actual Length	Watts		Nominal Length (in)	Actual Length	Watts	
		SO	HO			SO	HO
12	11	2.7	4.4	47	46 14/16	10.2	17.1
13	12 3/16	2.7	4.4	48	–	–	–
14	13 5/16	2.7	4.4	49	48 1/16	10.5	17.4
15	14 8/16	2.9	4.8	50	49 3/16	10.7	17.8
16	15 10/16	3.1	5.2	51	50 6/16	11.1	18.6
17	16 13/16	3.4	5.6	52	51 9/16	11.4	18.9
18	17 15/16	3.6	6.0	53	52 11/16	11.6	19.3
19	–	–	–	54	53 14/16	11.9	19.7
20	19 2/16	3.9	6.5	55	–	–	–
21	20 4/16	4.4	7.3	56	55	12.1	20.1
22	21 7/16	4.6	7.7	57	56 3/16	12.3	20.5
23	22 9/16	4.8	8.1	58	57 5/16	12.8	21.3
24	23 12/16	5.1	8.6	59	58 8/16	13.1	21.6
25	24 14/16	5.3	9.0	60	59 10/16	13.3	22.0
26	–	–	–	61	60 13/16	13.6	22.4
27	26 1/16	5.6	9.4	62	61 15/16	13.8	22.8
28	27 3/16	5.8	9.8	63	–	–	–
29	28 6/16	6.2	10.5	64	63 2/16	14.0	23.1
30	29 8/16	6.5	10.9	65	64 4/16	14.5	23.8
31	30 11/16	6.7	11.2	66	65 7/16	14.7	24.1
32	31 14/16	6.9	11.6	67	66 9/16	14.9	24.4
33	–	–	–	68	67 12/16	15.1	24.7
34	33	7.1	12.0	69	68 14/16	15.3	25.0
35	34 3/16	7.3	12.3	70	–	–	–
36	35 5/16	7.8	13.1	71	70 1/16	15.5	25.4
37	36 8/16	8.0	13.4	72	71 3/16	15.8	25.7
38	37 10/16	8.2	13.8	73	72 6/16	16.2	26.3
39	38 13/16	8.4	14.2	74	73 9/16	16.4	26.6
40	39 15/16	8.7	14.5	75	74 11/16	16.6	26.9
41	–	–	–	76	75 14/16	16.8	27.3
42	41 2/16	8.9	14.9				
43	42 4/16	9.3	15.6				
44	43 7/16	9.6	16.0				
45	44 9/16	9.8	16.4				
46	45 12/16	10.0	16.7				

Power Consumption

Tested at Full Power with PS-UNI Series power supplies.

Standard Nominal Lengths offered provide minimal shadowing. For alternate lengths, please contact factory with specific request.

High Efficacy (HE48)

Nominal Length (in)	Actual Length	Watts			Nominal Length (in)	Actual Length	Watts		
		LO	SO	MO			LO	SO	MO
12	11 9/16	1.7	2.5	3.5	47	–	–	–	–
13	–	–	–	–	48	47	6.9	10.7	13.3
14	13 9/16	1.7	2.5	3.5	49	49	7.1	11.2	13.9
15	–	–	–	–	50	–	–	–	–
16	15 8/16	2.0	3.0	4.0	51	50 15/16	7.4	11.7	14.5
17	–	–	–	–	52	–	–	–	–
18	17 8/16	2.4	3.5	4.6	53	52 15/16	7.7	12.3	15.1
19	–	–	–	–	54	–	–	–	–
20	19 7/16	2.7	3.9	5.2	55	54 14/16	8.0	12.9	15.7
21	–	–	–	–	56	–	–	–	–
22	21 7/16	3.0	4.4	5.8	57	56 14/16	8.4	13.5	16.4
23	–	–	–	–	58	–	–	–	–
24	23 6/16	3.4	4.9	6.4	59	58 13/16	8.7	14.0	17.0
25	–	–	–	–	60	–	–	–	–
26	25 6/16	3.7	5.4	7.0	61	60 13/16	9.0	14.6	17.6
27	–	–	–	–	62	–	–	–	–
28	27 5/16	4.1	5.9	7.5	63	62 12/16	9.4	15.2	18.2
29	–	–	–	–	64	–	–	–	–
30	29 5/16	4.4	6.4	8.1	65	64 12/16	9.7	15.6	18.7
31	–	–	–	–	66	–	–	–	–
32	31 4/16	4.8	6.9	8.7	67	66 11/16	10.0	16.1	19.2
33	–	–	–	–	68	–	–	–	–
34	33 4/16	5.0	7.2	9.0	69	68 11/16	10.4	16.5	19.8
35	–	–	–	–	70	–	–	–	–
36	35 3/16	5.4	7.7	9.6	71	70 10/16	10.7	17.0	20.3
37	–	–	–	–	72	–	–	–	–
38	37 3/16	5.7	8.2	10.2	73	72 10/16	11.0	17.4	20.8
39	–	–	–	–	74	–	–	–	–
40	39 2/16	6.0	8.7	10.8	75	74 9/16	11.3	17.9	21.4
41	–	–	–	–	76	–	–	–	–
42	41 2/16	6.2	9.2	11.4					
43	–	–	–	–					
44	43 1/16	6.4	9.7	12.0					
45	–	–	–	–					
46	45 1/16	6.7	10.2	12.6					

Voltage Drop Calculator

The below chart assumes nominal voltage of 24 Volts and a Voltage Drop Allowance of 3% through the wire

Wattage [W]	Wire Length From Power Supply to Start of Run [ft]						
	12 AWG	14 AWG	16 AWG	18 AWG	20 AWG	22 AWG	24 AWG
5	1088.2	684.4	430.3	270.6	170.2	107.1	67.3
10	544.1	342.2	215.1	135.3	85.1	53.5	33.7
15	362.7	228.1	143.4	90.2	56.7	35.7	22.4
20	272.0	171.1	107.6	67.7	42.6	26.8	16.8
25	217.6	136.9	86.1	54.1	34.0	21.4	13.5
30	181.4	114.1	71.7	45.1	28.4	17.8	11.2
35	155.5	97.8	61.5	38.7	24.3	15.3	9.6
40	136.0	85.5	53.8	33.8	21.3	13.4	8.4
45	120.9	76.0	47.8	30.1	18.9	11.9	7.5
50	108.8	68.4	43.0	27.1	17.0	10.7	6.7
55	98.9	62.2	39.1	24.6	15.5	9.7	6.1
60	90.7	57.0	35.9	22.6	14.2	8.9	5.6
65	83.7	52.6	33.1	20.8	13.1	8.2	5.2
70	77.7	48.9	30.7	19.3	12.2	7.6	4.8
75	72.5	45.6	28.7	18.0	11.3	7.1	4.5
80	68.0	42.8	26.9	16.9	10.6	6.7	4.2
85	64.0	40.3	25.3	15.9	10.0	6.3	4.0
90	60.5	38.0	23.9	15.0	9.5	5.9	3.7
96	56.7	35.6	22.4	14.1	8.9	5.6	3.5

Power Supplies

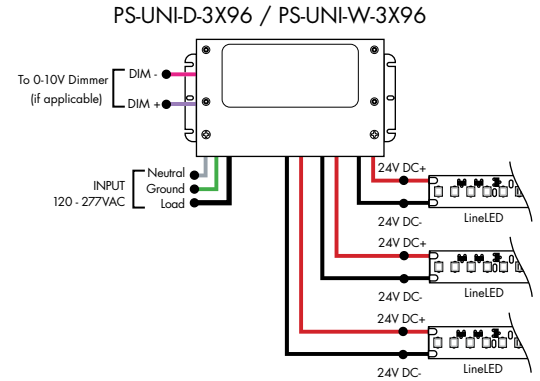
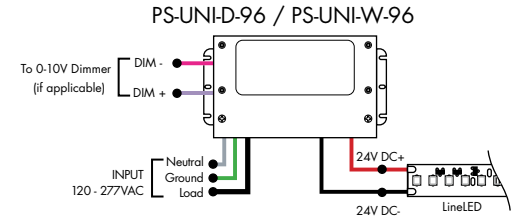
See Power Supply instructions and spec sheet for wiring information. For a complete list of compatible dimmers, see Compatible Dimming Chart on the Resources page.

Ordering Code Universal Dimming Power Supplies 1% 120VAC - 277VAC

MODEL	INPUT CONTROL	ENVIRONMENT	WATTAGE	OUTPUT
PS-Power Supply, 120-277VAC	UNI-0-10V Dimming, Phase Dimming	D-Dry W-Wet	30-30 Watts 60-60 Watts 96-96 Watts 3x96-3x96 Watts	24-24 VDC

Compatibility: View a complete list of compatible dimmers on product page [\(Link\)](#)

0-10V - 1% dimming
MLV/ELV/TRIAC - 1% dimming, consult dimming compatibility chart



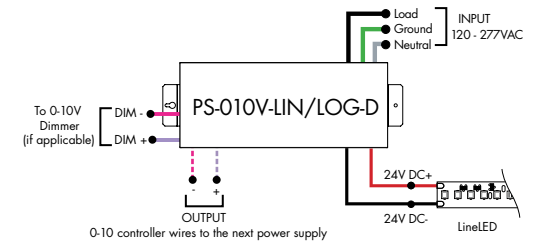
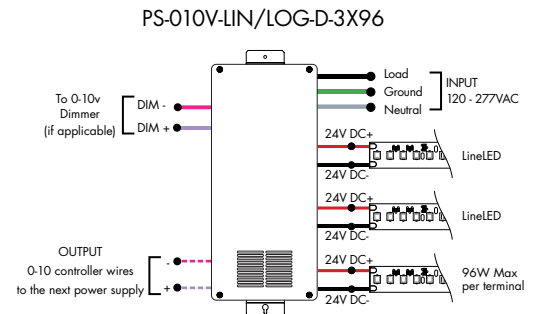
MODELS	PS-UNI-W-30W	PS-UNI-W-60W	PS-UNI-W-96W	PS-UNI-W-3X96W
Length	6.50"	7.40"	8.66"	11.85"
Width	3.73"	3.73"	3.73"	4.32"
Depth	1.61"	1.61"	1.61"	1.81"

MODELS	PS-UNI-D-30W	PS-UNI-D-60W	PS-UNI-D-96W	PS-UNI-D-3X96W
Length	8.77"	8.77"	8.11"	9.94"
Width	4.27"	4.27"	5.60"	7.61"
Depth	1.83"	1.83"	1.83"	2.02"

Ordering Code 0-10V Dimming Power Supplies 0.1% 120VAC - 277VAC

MODEL	INPUT CONTROL	ENVIRONMENT	WATTAGE	OUTPUT
PS-Power Supply, 120-277VAC	010V-LIN-0-10V Dimming (0.1%), Linear 010V-LOG-0-10V Dimming (0.1%), Logarithmic	D-Dry	96-96 Watts 3X96-3x96 Watts	24-24 VDC

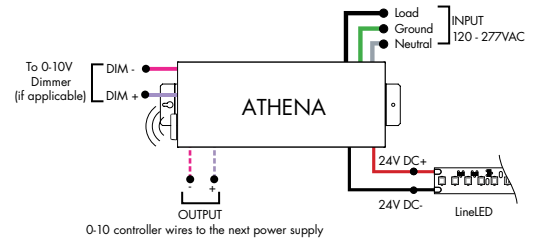
MODELS	96W	3X96
Length	14.40"	15.00"
Width	5.20"	6.62"
Depth	2.60"	4.45"



Athena 0-10V LED Driver

MODEL	INPUT CONTROL	ENVIRONMENT	WATTAGE	OUTPUT	FEATURE
PS-Power Supply, 120-277VAC	010V-LIN-0-10V Dimming, Linear 010V-LOG-0-10V Dimming, Logarithmic	D-Dry	96-96 W	24-24 VDC	AWNR-Athena

MODELS	96W
Length	14.40"
Width	5.20"
Depth	2.60"



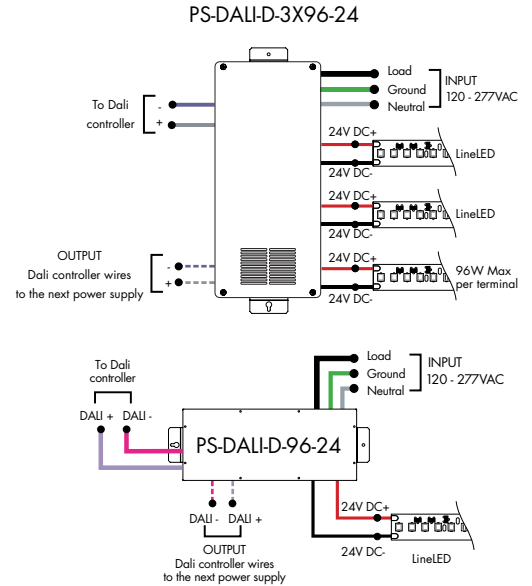
Power Supplies

See Power Supply instructions and spec sheet for wiring information. For a complete list of compatible dimmers, see Compatible Dimming Chart on the Resources page.

Ordering Code DALI Dimming Power Supplies 0.1% 120VAC - 277VAC

MODEL	INPUT CONTROL	ENVIRONMENT	WATTAGE	OUTPUT
PS-Power Supply, 120-277VAC	DALI-DALI (0.1%)	D-Dry	96-96 Watts 3X96-3X96 Watts	24-24 VDC

Model	96W	3X96
Length	14.40"	15.00"
Width	5.20"	6.62"
Depth	2.60"	4.56"

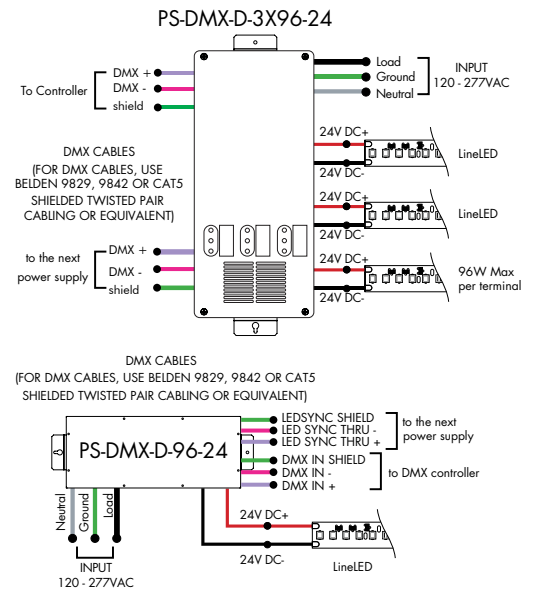


Ordering Code DMX Dimming Power Supplies 0.1% 120VAC - 277VAC Requires Zonal Control

MODEL	INPUT CONTROL	ENVIRONMENT	WATTAGE	OUTPUT
PS-Power Supply, 120-277VAC	DMX-DMX (0.1%)	D-Dry	96-96 Watts 3X96-3X96 Watts	24-24 VDC

*Zonal control power supplies. Control multiple tapes/zones using DMX channels.

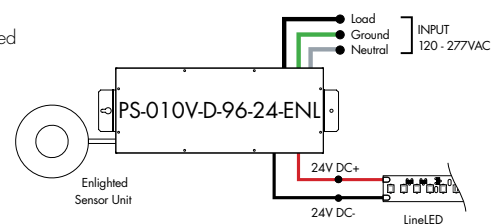
MODELS	96W	3X96
Length	14.40"	15.00"
Width	5.20"	6.62"
Depth	2.60"	4.56"



Ordering Code Enlightened Enabled Dimming Power Supplies 1% 120VAC - 277VAC

MODEL	INPUT CONTROL	ENVIRONMENT	WATTAGE	OUTPUT	FEATURE
PS-Power Supply, 120-277VAC	010V-0-10V Dimming (1%)	D-Dry	96-96 Watts	24-24 VDC	ENL-0-10V Enlightened

Model	96W
Length	14.40"
Width	5.20"
Depth	2.60"

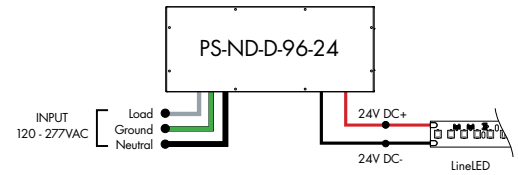


Power Supplies

See Power Supply instructions and spec sheet for wiring information. For a complete list of compatible dimmers, see Compatible Dimming Chart on the Resources page.

Ordering Code Non-Dimming Power Supply 120VAC - 277VAC

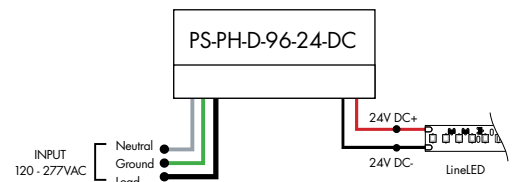
MODEL	INPUT CONTROL	ENVIRONMENT	WATTAGE	OUTPUT
PS - Power Supply, 120-277VAC	ND - Non Dimming	D - Dry	96-96 Watts	24 - 24 VDC



MODELS	96W
Length	14.40"
Width	5.20"
Depth	2.60"

Ordering Code Phase Dimming Power Supply 1% 120VAC - 277VAC

MODEL	INPUT CONTROL	ENVIRONMENT	WATTAGE	OUTPUT	OUTPUT CONTROL
PS - Power Supply, 120-277VAC	PH - Phase Dimming (Triac, ELV, MLV)	D - Dry	96 - 96 Watts	24 - 24 VDC	DC - Direct Current



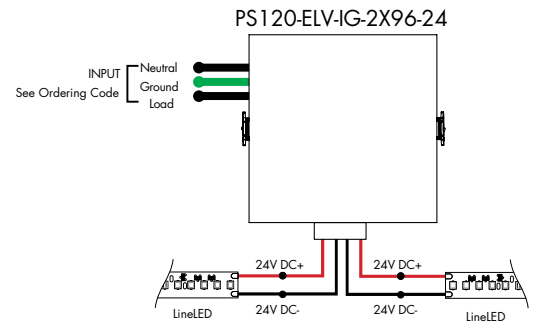
MLV/ELV/TRIAC - 1% dimming, consult dimming compatibility chart ([link](#))

NOTE:
OVER THE WHITE, GREEN, AND BLACK WIRES,
CONNECT TO ELV OR MLV DIMMER

MODELS	96W
Length	8.25"
Width	4.10"
Depth	1.56"

Ordering Code In-Ground Power Supplies

MODEL	INPUT CONTROL	ENVIRONMENT	WATTAGE	OUTPUT
PS120 - Power Supply, 120VAC PS240 - Power Supply, 240VAC PS277 - Power Supply, 277VAC	ELV - ELV Dimming (1%)	IG - In Ground	2X96 - 2X96 Watts	24 - 24 VDC



MODELS	2X96W
Length	8.40"
Width	8.30"
Depth	8.10"

Power Supplies

See Power Supply instructions and spec sheet for wiring information. For a complete list of compatible dimmers, see Compatible Dimming Chart on the Resources page.



Luminii is a Lutron OEM Advantage Partner

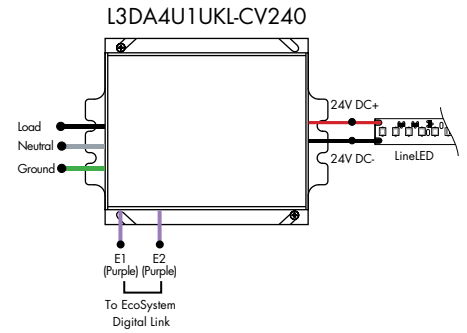
Lutron Power Supplies 1%

MODEL

L3DA4U1UKL-CV240

HiLume™ 1% EcoSystem Voltage LED driver
40W max

MODELS	L3DA4U1UKL-CV240
Length	4.98"
Width	4.00"
Depth	2.62"



Luminii is a Lutron OEM Advantage Partner

Lutron Power Supplies 0.1%

MODEL

L3D0-96W24V-U

HiLume™ 0.1% EcoSystem Voltage LED Driver with Soft-On, Fade-to-Black™
96W max

MODELS	L3D0
Length	10.50"
Width	5.50"
Depth	2.00"

