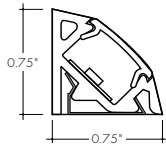


Features

- 24VDC Class 2 and wet rated fixtures made to order up to 144". Fixtures can be linked up to 48' depending on output
- Suitable for undercabinet, casework/millwork, surface mount, direct view, cove, outdoor, wet, curtain pocket, toe kick, architectural reveals, banister/handrail, and accent lighting applications
- Class 2 listed for damp locations
- Dot free even illumination with frosted lens
- High Color Quality options offer premium quality and vibrant colors with R9 values up to 97
- High Efficacy options offer best in class output and efficacy with over 590 lm/ft and up to 84 lm/W
- Proprietary strong bond solder method handles up to 50 lbs of pull force on wire leads and connectors
- Average Life (L70): 50,000hrs
- 3 year warranty



Finish Options (see page 3 for additional information)

| | |
|-------------|--|
| Base | <input type="checkbox"/> Silver Anodized |
| Powder Coat | <input type="checkbox"/> Black <input type="checkbox"/> Bronze <input type="checkbox"/> White |
| Premium | <input type="checkbox"/> Matte Black <input type="checkbox"/> Warm Nickel <input type="checkbox"/> Aged Brass <input type="checkbox"/> Polished Gold <input type="checkbox"/> Chrome |



Technical Information

| MODEL | High Color Quality | | | High Efficacy | | | | High Efficacy |
|---|--|-----------|-----------|--|-----------|-----------|-----------|--|
| | 72SO | 72HO | 72VHO | HE48LO | HE48SO | HE48MO | HE48HO | HE64VHO |
| OUTPUT OPTIONS | | | | | | | | |
| Lumens Output (3000K) <small>(with a Clear Lens)</small> | 163 lm/ft | 265 lm/ft | 323 lm/ft | 159 lm/ft | 220 lm/ft | 294 lm/ft | 472 lm/ft | 597 lm/ft |
| Average Power Consumption <small>(for a 4" section)</small> | 2.8 W/ft | 4.8 W/ft | 6 W/ft | 1.9 W/ft | 2.8 W/ft | 3.5 W/ft | 6.5 W/ft | 7.5 W/ft |
| Efficacy | 58 lm/W | 55 lm/W | 54 lm/W | 84 lm/W | 79 lm/W | 84 lm/W | 73 lm/W | 80 lm/W |
| Max Run Length <small>(in series)</small> | 40 ft | 31 ft | 22 ft | 48 ft | 42 ft | 33 ft | 21 ft | 15 ft |
| Ambient Operating Temperature Range* | -15°F - 125°F <small>(-25°C - 50°C)</small> | | | -15°F - 125°F <small>(-25°C - 50°C)</small> | | | | -15°F - 115°F <small>(-25°C - 45°C)</small> |

*Ambient Operating Temperature Range to maintain L70 of 50k+ hours in normal mounting conditions for the fixture. Exceeding Ambient Operating Temperature Range may result in decreased life/output. Consult Technical Support for specific inquiries.

High Color Quality (72)

| CCT | Multiplier <small>(reference - 3000K)</small> | TM-30 | | | |
|-------|--|-------|----------------|----------------|----------------|
| | | CRI | R _f | R _g | R ₉ |
| 2700K | 0.97 | 97 | 96 | 99 | 93 |
| 3000K | 1.00 | 96 | 95 | 99 | 92 |
| 3500K | 1.01 | 96 | 95 | 100 | 94 |
| 4100K | 1.34 | 97 | 96 | 102 | 92 |

High Efficacy (HE48/HE64)

| CCT | Multiplier <small>(reference - 3000K)</small> | TM-30 | | | |
|-------|--|-------|----------------|----------------|----------------|
| | | CRI | R _f | R _g | R ₉ |
| 2700K | 0.94 | 92 | 90 | 99 | 46 |
| 3000K | 1.00 | 92 | 89 | 99 | 62 |
| 3500K | 1.02 | 92 | 89 | 99 | 58 |
| 4000K | 1.02 | 92 | 86 | 94 | 52 |

Ordering Code

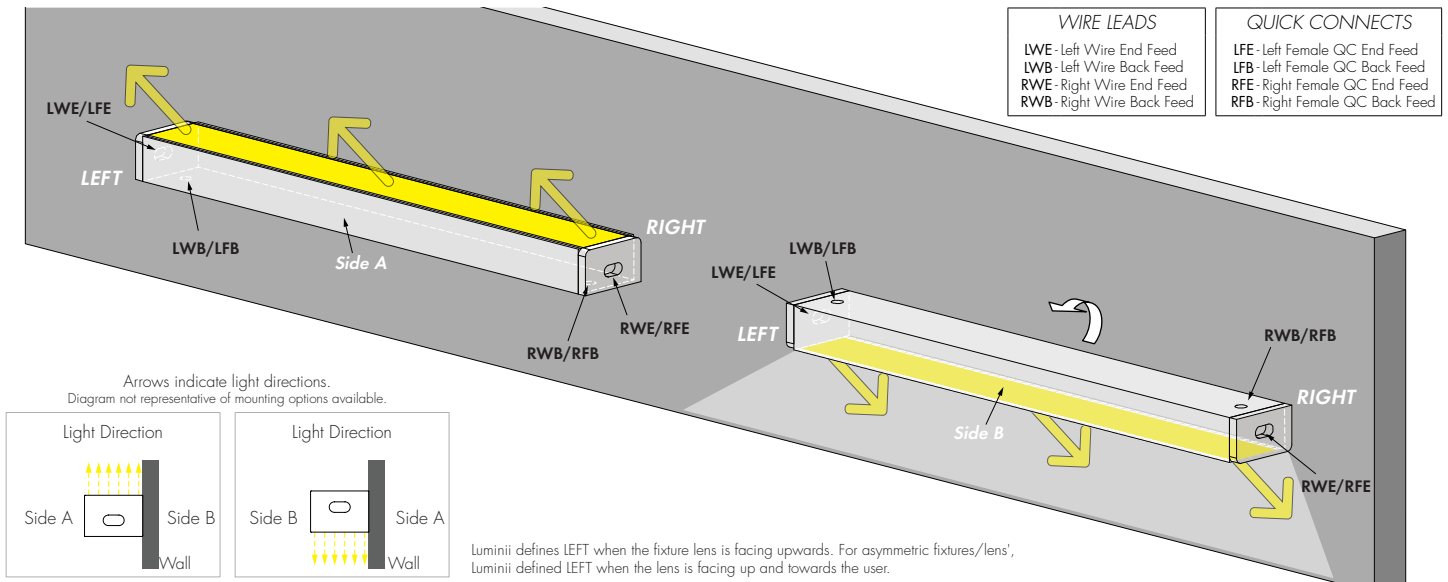
| MODEL | LENGTH ¹ | OUTPUT ² | CCT | LENS | MOUNTING | FINISH ³ | FEED POSITION LEFT ⁵ | FEED POSITION RIGHT ⁵ |
|------------------------|-----------------------------|--|--|---|----------------------|---|---|---|
| K45MW - Kendo 45 M Wet | 12" - 144" 1" increments | 72SO - Standard 72HO - High 72VHO - Very High | 27K-2700K 30K-3000K 35K-3500K 40K-4000K | C-Clear F-Frosted 13-13" Semi-Frosted | CB-Concealed Bracket | BASE SA-Silver Anodized POWDER COAT BK-Black BZ-Bronze WH-White | WIRE LEADS (72") LWE-Wire End Feed LWB-Wire Back Feed LNPF-No Power Feed | WIRE LEADS (72") RWE-Wire End Feed RWB-Wire Back Feed RNPF-No Power Feed |
| | 12" - 144" 2" increments | HE48LO-Low HE48SO-Standard HE48MO-Medium HE48HO-High HE64VHO-Very High | 27K-2700K 30K-3000K 35K-3500K 40K-4000K | | | PREMIUM MBK-Matte Black WN-Warm Nickel AB-Aged Brass PG-Polished Gold ⁴ CH-Chrome ⁴ | QUICK CONNECTS (6") LFE-Female Q/C, End Feed LFB-Female Q/C, Back Feed LNPF-No Power Feed | QUICK CONNECTS (6") RFE-Female Q/C, End Feed RFB-Female Q/C, Back Feed RNPF-No Power Feed |

1 - Custom lengths and increments are available, please consult Inside Sales with specific request.
 2 - All High Efficacy options can be used to comply with Title 24 JA8. High Color Quality options can be used to comply with Title 24 JA8 depending on Output, CCT, and lens selections, see multiplier charts to calculate specific efficacies.

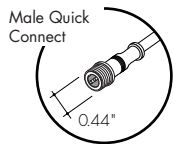
3 - Non Base finishes may have extended lead times. Custom RALs are available, please consult Inside Sales with specific request.
 4 - Polished Gold finishes and Chrome finishes have a maximum fixture length of 96".
 5 - LNPF - RNPF is not a valid configuration option

Powerfeeds and Connectors

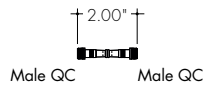
Power Feed Position Options and Orientation



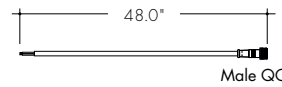
Linking and Extension Cable Options



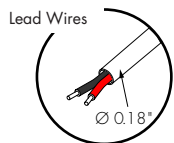
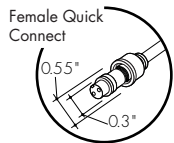
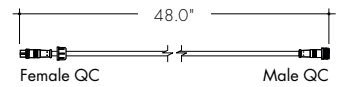
WET-FMA-2-2
 Female to Male Adapter, 2 pin



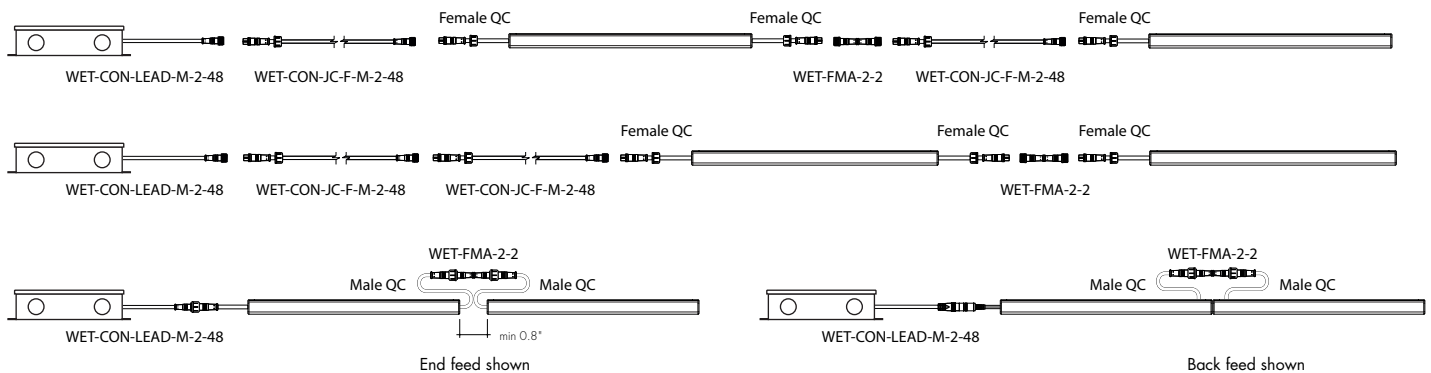
WET-CON-LEAD-M-2-48
 Male Wet Connector Cable, 2 pin, 48"



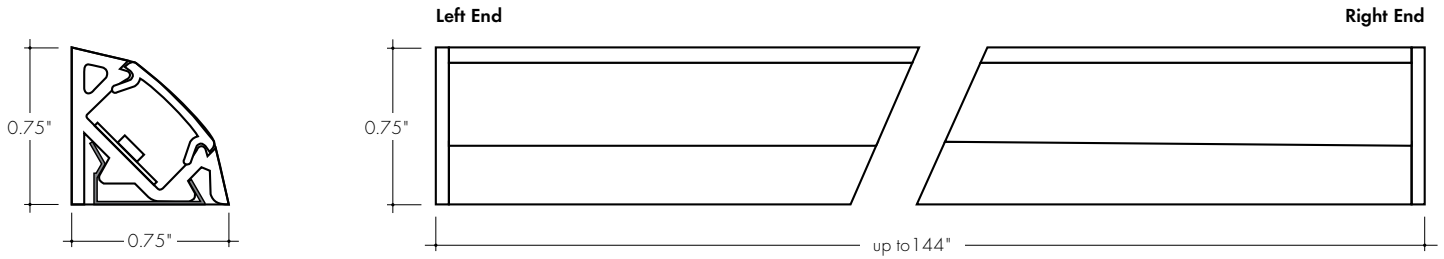
WET-CON-JC-F-M-2-48
 Female/Male Wet Jumper Cable, 2 pin, 48"



Sample Layout



Product Dimensions



Finish Options

- Finish options are available in a wide variety, allowing for complete customization of style and aesthetic.
- Non Base finishes may have extended lead times and price adder.
- Polished Gold and Chrome finishes have a maximum fixture length of 96".
- Custom RALs are available, please consult Inside Sales with specific request.

Silver Anodized Base



Silver Anodized is a soft silver with a clear finish.

Black Powder Coat



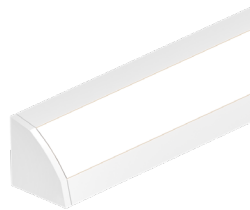
Black is a true deep black with a glossy finish.

Bronze Powder Coat



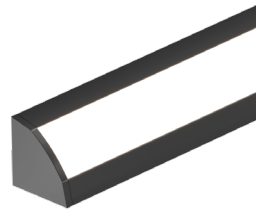
Bronze is a rich, dark brown with a satin finish.

White Powder Coat



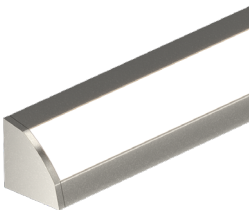
White is a polar bright white and field paintable.

Matte Black Premium



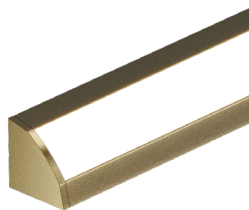
Matte Black is a dark, pitch-black with a soft flat finish.

Warm Nickel Premium



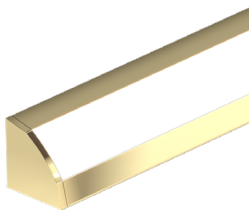
Warm Nickel is a soft, silvery smoke with warm tones and a satin finish.

Aged Brass Premium



Aged Brass is a deep brown shade with slightly golden undertones.

Polished Gold Premium



Polished Gold is bright and radiant for a brilliant finish.

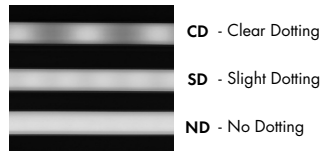
Chrome Premium



Chrome is a highly reflective silver polish.

Light Transmission and Dotting

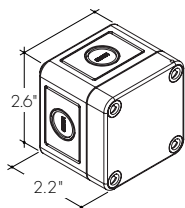
| Output Options | Lens/Accessory | | | | | | | | | | | | |
|-------------------------|----------------|-----|-----|----|------------------|-----|-----|----|--------------|-----|-----|----|----|
| | Clear Lens | | | | 13° Semi-Frosted | | | | Frosted Lens | | | | |
| Dimming Level | 100% | 50% | 10% | 1% | 100% | 50% | 10% | 1% | 100% | 50% | 10% | 1% | |
| 72SO | CD | CD | CD | CD | CD | CD | CD | CD | CD | ND | ND | ND | ND |
| 72HO | CD | CD | CD | CD | CD | CD | CD | CD | CD | ND | ND | ND | ND |
| 72VHO | CD | CD | CD | CD | CD | CD | CD | CD | CD | ND | ND | ND | ND |
| HE48LO | CD | CD | CD | CD | CD | CD | CD | CD | CD | ND | ND | ND | ND |
| HE48SO | CD | CD | CD | CD | CD | CD | CD | CD | CD | ND | ND | ND | ND |
| HE48MO | CD | CD | CD | CD | CD | CD | CD | CD | CD | ND | ND | ND | ND |
| HE48HO | CD | CD | CD | CD | CD | CD | CD | CD | CD | ND | ND | ND | ND |
| HE64VHO | CD | CD | CD | CD | CD | CD | CD | CD | CD | ND | ND | ND | ND |
| Transmission Percentage | 100% | | | | 88% | | | | 49% | | | | |



Accessory Options

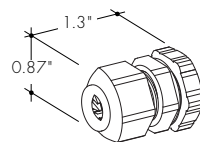
LVSP-WET

Splice box: wet rated, low voltage, gray



LVSP-WET-CM

Connector for splice box, low voltage for cable management, gray.



Accessory Options

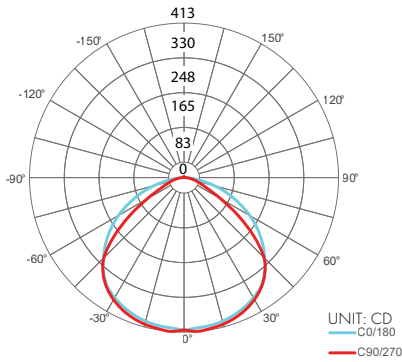
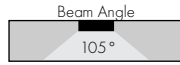
K45MW-48-72VHO-30K-C

Kendo 45M Wet, 4ft, VHO, 3000K, Clear Lens

Zonal Lumen Summary 3000K

| Zone | Lumen | % Fixture |
|-------|-------|-----------|
| 0-30 | 358 | 27.7% |
| 0-40 | 601 | 46.6% |
| 0-60 | 1059 | 82.1% |
| 0-90 | 1277 | 98.9% |
| 0-180 | 1290 | 100.0% |

Total



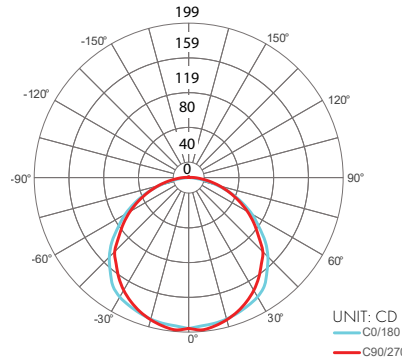
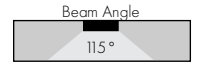
K45MW-48-72VHO-30K-F

Kendo 45M Wet, 4ft, VHO, 3000K, Frosted Lens

Zonal Lumen Summary 3000K

| Zone | Lumen | % Fixture |
|-------|-------|-----------|
| 0-30 | 158 | 25.1% |
| 0-40 | 263 | 41.8% |
| 0-60 | 476 | 75.8% |
| 0-90 | 619 | 98.6% |
| 0-180 | 628 | 100.0% |

Total



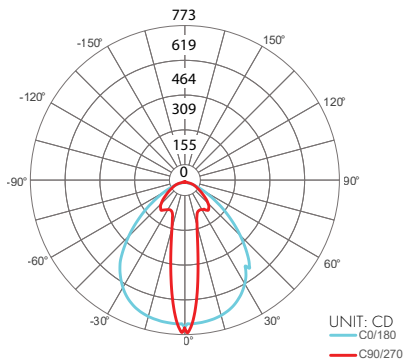
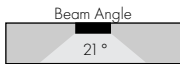
K45MW-48-72VHO-30K-13

Kendo 45M Wet, 4ft, VHO, 3000K, 13° Semi-Frosted

Zonal Lumen Summary 3000K

| Zone | Lumen | % Fixture |
|-------|-------|-----------|
| 0-30 | 380 | 33.5% |
| 0-40 | 603 | 53.2% |
| 0-60 | 970 | 85.6% |
| 0-90 | 1118 | 98.7% |
| 0-180 | 1133 | 100.0% |

Total



Power Consumption

Tested at Full Power with PSUNI Series power supplies.

Standard Nominal Lengths offered provide minimal shadowing. For alternate lengths, please consult Inside Sales with specific request.

High Color Quality (72)

| Nominal Length (in) | Actual Length | Watts | | | Nominal Length (in) | Actual Length | Watts | | | Nominal Length (in) | Actual Length | Watts | | | Nominal Length (in) | Actual Length | Watts | | |
|---------------------|---------------|-------|------|------|---------------------|---------------|-------|------|------|---------------------|---------------|-------|------|------|---------------------|---------------|-------|------|------|
| | | SO | HO | VHO | | | SO | HO | VHO | | | SO | HO | VHO | | | | | |
| 12 | 11 5/16 | 2.7 | 4.4 | 6.2 | 47 | 46 1/16 | 10.2 | 17.1 | 22.6 | 82 | 81 15/16 | 18.3 | 29.5 | 38.4 | 117 | 116 11/16 | 25.9 | 40.8 | 52.4 |
| 13 | 12 7/16 | 2.7 | 4.4 | 6.2 | 48 | 47 3/16 | 10.5 | 17.4 | 23.1 | 83 | - | - | - | - | 118 | 117 13/16 | 26.1 | 41.1 | 52.8 |
| 14 | 13 10/16 | 2.9 | 4.8 | 6.7 | 49 | 48 6/16 | 10.7 | 17.8 | 23.5 | 84 | 83 1/16 | 18.5 | 29.8 | 38.8 | 119 | 119 | 26.3 | 41.4 | 53.2 |
| 15 | 14 12/16 | 3.1 | 5.2 | 7.3 | 50 | 49 8/16 | 11.1 | 18.6 | 24.4 | 85 | 84 4/16 | 18.7 | 30.1 | 39.2 | 120 | - | - | - | - |
| 16 | 15 15/16 | 3.4 | 5.6 | 7.8 | 51 | 50 11/16 | 11.4 | 18.9 | 24.9 | 86 | 85 6/16 | 19.2 | 30.8 | 40.0 | 121 | 120 2/16 | 26.5 | 41.7 | 53.6 |
| 17 | - | - | - | - | 52 | 51 13/16 | 11.6 | 19.3 | 25.3 | 87 | 86 9/16 | 19.4 | 31.1 | 40.4 | 122 | 121 5/16 | 26.7 | 42.0 | 54.0 |
| 18 | 17 1/16 | 3.6 | 6.0 | 8.3 | 53 | 53 | 11.9 | 19.7 | 25.7 | 88 | 87 12/16 | 19.6 | 31.5 | 40.8 | 123 | 122 7/16 | 27.1 | 42.6 | 54.7 |
| 19 | 18 4/16 | 3.9 | 6.5 | 8.9 | 54 | - | - | - | - | 89 | 88 14/16 | 19.9 | 31.8 | 41.1 | 124 | 123 10/16 | 27.3 | 42.9 | 55.0 |
| 20 | 19 6/16 | 4.4 | 7.3 | 9.9 | 55 | 54 2/16 | 12.1 | 20.1 | 26.1 | 90 | - | - | - | - | 125 | 124 12/16 | 27.5 | 43.1 | 55.4 |
| 21 | 20 9/16 | 4.6 | 7.7 | 10.5 | 56 | 55 5/16 | 12.3 | 20.5 | 26.6 | 91 | 90 1/16 | 20.1 | 32.2 | 41.5 | 126 | 125 15/16 | 27.7 | 43.4 | 55.7 |
| 22 | 21 11/16 | 4.8 | 8.1 | 11.0 | 57 | 56 7/16 | 12.8 | 21.3 | 27.4 | 92 | 91 3/16 | 20.4 | 32.5 | 41.9 | 127 | - | - | - | - |
| 23 | 22 14/16 | 5.1 | 8.6 | 11.5 | 58 | 57 10/16 | 13.1 | 21.6 | 27.8 | 93 | 92 6/16 | 20.6 | 32.9 | 42.3 | 128 | 127 1/16 | 27.9 | 43.7 | 56.1 |
| 24 | - | - | - | - | 59 | 58 12/16 | 13.3 | 22.0 | 28.3 | 94 | 93 8/16 | 21.1 | 33.6 | 43.1 | 129 | 128 4/16 | 28.1 | 43.9 | 56.4 |
| 25 | 24 1/16 | 5.3 | 9.0 | 12.1 | 60 | 59 15/16 | 13.6 | 22.4 | 28.7 | 95 | 94 11/16 | 21.3 | 33.9 | 43.4 | 130 | 129 7/16 | 28.5 | 44.5 | 57.1 |
| 26 | 25 3/16 | 5.6 | 9.4 | 12.6 | 61 | - | - | - | - | 96 | 95 13/16 | 21.5 | 34.2 | 43.8 | 131 | 130 9/16 | 28.7 | 44.7 | 57.4 |
| 27 | 26 6/16 | 5.8 | 9.8 | 13.1 | 62 | 61 1/16 | 13.8 | 22.8 | 29.1 | 97 | 97 | 21.8 | 34.6 | 44.2 | 132 | 131 12/16 | 28.9 | 45.0 | 57.8 |
| 28 | 27 8/16 | 6.2 | 10.5 | 14.1 | 63 | 62 4/16 | 14.0 | 23.1 | 29.6 | 98 | - | - | - | - | 133 | 132 14/16 | 29.1 | 45.3 | 58.1 |
| 29 | 28 11/16 | 6.5 | 10.9 | 14.5 | 64 | 63 6/16 | 14.5 | 23.8 | 30.5 | 99 | 98 2/16 | 22.0 | 34.9 | 44.6 | 134 | - | - | - | - |
| 30 | 29 13/16 | 6.7 | 11.2 | 15.0 | 65 | 64 9/16 | 14.7 | 24.1 | 31.0 | 100 | 99 5/16 | 22.2 | 35.2 | 45.0 | 135 | 134 1/16 | 29.3 | 45.5 | 58.4 |
| 31 | 31 | 6.9 | 11.6 | 15.5 | 66 | 65 12/16 | 14.9 | 24.4 | 31.4 | 101 | 100 7/16 | 22.5 | 35.9 | 45.9 | 136 | 135 3/16 | 29.5 | 45.7 | 58.7 |
| 32 | - | - | - | - | 67 | 66 14/16 | 15.1 | 24.7 | 31.9 | 102 | 101 10/16 | 22.7 | 36.2 | 46.3 | 137 | 136 6/16 | 29.6 | 45.9 | 59.1 |
| 33 | 32 2/16 | 7.1 | 12.0 | 16.0 | 68 | - | - | - | - | 103 | 102 12/16 | 22.9 | 36.5 | 46.7 | 138 | 137 8/16 | 30.0 | 46.3 | 59.7 |
| 34 | 33 5/16 | 7.3 | 12.3 | 16.5 | 69 | 68 1/16 | 15.3 | 25.0 | 32.4 | 104 | 103 15/16 | 23.1 | 36.8 | 47.1 | 139 | 138 11/16 | 30.2 | 46.5 | 60.0 |
| 35 | 34 7/16 | 7.8 | 13.1 | 17.4 | 70 | 69 3/16 | 15.5 | 25.4 | 32.8 | 105 | - | - | - | - | 140 | 139 13/16 | 30.3 | 46.8 | 60.3 |
| 36 | 35 10/16 | 8.0 | 13.4 | 17.9 | 71 | 70 6/16 | 15.8 | 25.7 | 33.3 | 106 | 105 1/16 | 23.3 | 37.1 | 47.5 | 141 | 141 | 30.5 | 47.0 | 60.6 |
| 37 | 36 12/16 | 8.2 | 13.8 | 18.4 | 72 | 71 8/16 | 16.2 | 26.3 | 34.2 | 107 | 106 4/16 | 23.5 | 37.4 | 48.0 | 142 | - | - | - | - |
| 38 | 37 15/16 | 8.4 | 14.2 | 18.9 | 73 | 72 11/16 | 16.4 | 26.6 | 34.7 | 108 | 107 6/16 | 23.9 | 38.1 | 48.8 | 143 | 142 2/16 | 30.7 | 47.2 | 61.0 |
| 39 | - | - | - | - | 74 | 73 13/16 | 16.6 | 26.9 | 35.1 | 109 | 108 9/16 | 24.1 | 38.4 | 49.2 | 144 | 143 5/16 | 30.8 | 47.4 | 61.3 |
| 40 | 39 1/16 | 8.7 | 14.5 | 19.3 | 75 | 75 | 16.8 | 27.3 | 35.5 | 110 | 109 12/16 | 24.3 | 38.7 | 49.6 | | | | | |
| 41 | 40 4/16 | 8.9 | 14.9 | 19.8 | 76 | - | - | - | - | 111 | 110 14/16 | 24.5 | 39.0 | 50.0 | | | | | |
| 42 | 41 6/16 | 9.3 | 15.6 | 20.7 | 77 | 76 2/16 | 17.1 | 27.6 | 35.9 | 112 | - | - | - | - | | | | | |
| 43 | 42 9/16 | 9.6 | 16.0 | 21.2 | 78 | 77 5/16 | 17.3 | 27.9 | 36.3 | 113 | 112 1/16 | 24.8 | 39.3 | 50.4 | | | | | |
| 44 | 43 12/16 | 9.8 | 16.4 | 21.7 | 79 | 78 7/16 | 17.7 | 28.5 | 37.2 | 114 | 113 3/16 | 25.0 | 39.6 | 50.8 | | | | | |
| 45 | 44 14/16 | 10.0 | 16.7 | 22.1 | 80 | 79 10/16 | 17.9 | 28.9 | 37.6 | 115 | 114 6/16 | 25.2 | 39.9 | 51.2 | | | | | |
| 46 | - | - | - | - | 81 | 80 12/16 | 18.1 | 29.2 | 38.0 | 116 | 115 8/16 | 25.6 | 40.5 | 52.0 | | | | | |

Power Consumption

Tested at Full Power with PSUNI Series power supplies.

Standard Nominal Lengths offered provide minimal shadowing. For alternate lengths, please consult Inside Sales with specific request.

High Efficacy (HE48)

| Nominal Length (in) | Actual Length | Watts | | | | Nominal Length (in) | Actual Length | Watts | | | | Nominal Length (in) | Actual Length | Watts | | | | Nominal Length (in) | Actual Length | Watts | | | |
|---------------------|---------------|-------|------|------|------|---------------------|---------------|-------|------|------|------|---------------------|---------------|-------|------|------|------|---------------------|---------------|-------|------|------|------|
| | | LO | SO | MO | HO | | | LO | SO | MO | HO | | | LO | SO | MO | HO | | | LO | SO | MO | HO |
| 12 | 10 11/16 | 1.7 | 2.5 | 3.5 | 5.7 | 47 | 46 2/16 | 6.9 | 10.7 | 13.3 | 24.7 | 82 | 81 9/16 | 12.5 | 19.9 | 23.9 | 42.2 | 117 | - | - | - | - | |
| 13 | 12 11/16 | 1.7 | 2.5 | 3.5 | 5.7 | 48 | - | - | - | - | - | 83 | - | - | - | - | - | 118 | 117 | 17.5 | 27.7 | 34.3 | 58.7 |
| 14 | - | - | - | - | - | 49 | 48 2/16 | 7.1 | 11.2 | 13.9 | 25.4 | 84 | 83 9/16 | 12.8 | 20.3 | 24.5 | 43.1 | 119 | 119 | 17.8 | 28.1 | 34.9 | 59.6 |
| 15 | 14 10/16 | 2.0 | 3.0 | 4.0 | 7.2 | 50 | - | - | - | - | - | 85 | - | - | - | - | - | 120 | - | - | - | - | |
| 16 | - | - | - | - | - | 51 | 50 1/16 | 7.4 | 11.7 | 14.5 | 26.3 | 86 | 85 8/16 | 13.1 | 20.8 | 25.1 | 44.1 | 121 | 120 15/16 | 18.1 | 28.6 | 35.5 | 60.5 |
| 17 | 16 10/16 | 2.4 | 3.5 | 4.6 | 8.7 | 52 | - | - | - | - | - | 87 | - | - | - | - | - | 122 | - | - | - | - | |
| 18 | - | - | - | - | - | 53 | 52 1/16 | 7.7 | 12.3 | 15.1 | 27.4 | 88 | 87 8/16 | 13.4 | 21.3 | 25.7 | 45.0 | 123 | 122 15/16 | 18.3 | 29.0 | 36.0 | 62.1 |
| 19 | 18 9/16 | 2.7 | 3.9 | 5.2 | 10.2 | 54 | - | - | - | - | - | 89 | - | - | - | - | - | 124 | - | - | - | - | |
| 20 | - | - | - | - | - | 55 | 54 | 8.0 | 12.9 | 15.7 | 28.5 | 90 | 89 7/16 | 13.7 | 21.7 | 26.3 | 46.0 | 125 | 124 14/16 | 18.4 | 29.5 | 36.6 | 63.8 |
| 21 | 20 9/16 | 3.0 | 4.4 | 5.8 | 11.7 | 56 | 56 | 8.4 | 13.5 | 16.4 | 29.5 | 91 | - | - | - | - | - | 126 | - | - | - | - | |
| 22 | - | - | - | - | - | 57 | - | - | - | - | - | 92 | 91 7/16 | 14.0 | 22.1 | 26.9 | 47.0 | 127 | 126 14/16 | 18.6 | 29.9 | 37.2 | 65.4 |
| 23 | 22 8/16 | 3.4 | 4.9 | 6.4 | 13.2 | 58 | 57 15/16 | 8.7 | 14.0 | 17.0 | 30.6 | 93 | - | - | - | - | - | 128 | - | - | - | - | |
| 24 | - | - | - | - | - | 59 | - | - | - | - | - | 94 | 93 6/16 | 14.3 | 22.6 | 27.5 | 47.9 | 129 | 128 13/16 | 18.8 | 30.4 | 37.7 | 67.0 |
| 25 | 24 8/16 | 3.7 | 5.4 | 7.0 | 14.7 | 60 | 59 15/16 | 9.0 | 14.6 | 17.6 | 31.6 | 95 | - | - | - | - | - | 130 | - | - | - | - | |
| 26 | - | - | - | - | - | 61 | - | - | - | - | - | 96 | 95 6/16 | 14.4 | 22.8 | 27.8 | 48.4 | 131 | 130 13/16 | 18.9 | 30.8 | 38.3 | 68.6 |
| 27 | 26 7/16 | 4.1 | 5.9 | 7.5 | 15.8 | 62 | 61 14/16 | 9.4 | 15.2 | 18.2 | 32.6 | 97 | - | - | - | - | - | 132 | - | - | - | - | |
| 28 | - | - | - | - | - | 63 | - | - | - | - | - | 98 | 97 5/16 | 14.7 | 23.3 | 28.5 | 49.4 | 133 | 132 12/16 | 19.1 | 31.2 | 38.9 | 70.2 |
| 29 | 28 7/16 | 4.4 | 6.4 | 8.1 | 16.8 | 64 | 63 14/16 | 9.7 | 15.6 | 18.7 | 33.7 | 99 | - | - | - | - | - | 134 | - | - | - | - | |
| 30 | - | - | - | - | - | 65 | - | - | - | - | - | 100 | 99 5/16 | 15.0 | 23.7 | 29.0 | 50.4 | 135 | 134 12/16 | 19.3 | 31.8 | 39.4 | 70.7 |
| 31 | 30 6/16 | 4.8 | 6.9 | 8.7 | 17.9 | 66 | 65 13/16 | 10.0 | 16.1 | 19.2 | 34.7 | 101 | - | - | - | - | - | 136 | - | - | - | - | |
| 32 | - | - | - | - | - | 67 | - | - | - | - | - | 102 | 101 4/16 | 15.3 | 24.1 | 29.6 | 51.3 | 137 | 136 11/16 | 19.5 | 32.3 | 40.0 | 71.2 |
| 33 | 32 6/16 | 5.0 | 7.2 | 9.0 | 18.5 | 68 | 67 13/16 | 10.4 | 16.5 | 19.8 | 35.7 | 103 | - | - | - | - | - | 138 | - | - | - | - | |
| 34 | - | - | - | - | - | 69 | - | - | - | - | - | 104 | 103 4/16 | 15.6 | 24.6 | 30.2 | 52.3 | 139 | 138 11/16 | 19.8 | 32.8 | 40.6 | 71.8 |
| 35 | 34 5/16 | 5.4 | 7.7 | 9.6 | 19.5 | 70 | 69 12/16 | 10.7 | 17.0 | 20.3 | 36.7 | 105 | - | - | - | - | - | 140 | - | - | - | - | |
| 36 | - | - | - | - | - | 71 | - | - | - | - | - | 106 | 105 3/16 | 15.8 | 25.0 | 30.7 | 53.2 | 141 | 140 10/16 | 20.0 | 33.3 | 41.1 | 72.3 |
| 37 | 36 5/16 | 5.7 | 8.2 | 10.2 | 20.6 | 72 | 71 12/16 | 11.0 | 17.4 | 20.8 | 37.7 | 107 | - | - | - | - | - | 142 | - | - | - | - | |
| 38 | - | - | - | - | - | 73 | - | - | - | - | - | 108 | 107 3/16 | 16.1 | 25.5 | 31.3 | 54.2 | 143 | 142 10/16 | 20.2 | 33.9 | 41.7 | 72.8 |
| 39 | 38 4/16 | 6.0 | 8.7 | 10.8 | 21.5 | 74 | 73 11/16 | 11.3 | 17.9 | 21.4 | 38.7 | 109 | - | - | - | - | - | 144 | - | - | - | - | |
| 40 | - | - | - | - | - | 75 | - | - | - | - | - | 110 | 109 2/16 | 16.4 | 25.9 | 31.9 | 55.2 | | | | | | |
| 41 | 40 4/16 | 6.2 | 9.2 | 11.4 | 22.3 | 76 | 75 11/16 | 11.6 | 18.4 | 22.0 | 39.6 | 111 | - | - | - | - | - | | | | | | |
| 42 | - | - | - | - | - | 77 | - | - | - | - | - | 112 | 111 2/16 | 16.7 | 26.4 | 32.5 | 56.1 | | | | | | |
| 43 | 42 3/16 | 6.4 | 9.7 | 12.0 | 23.1 | 78 | 77 10/16 | 11.9 | 18.9 | 22.7 | 40.5 | 113 | - | - | - | - | - | | | | | | |
| 44 | - | - | - | - | - | 79 | - | - | - | - | - | 114 | 113 1/16 | 17.0 | 26.8 | 33.1 | 57.0 | | | | | | |
| 45 | 44 3/16 | 6.7 | 10.2 | 12.6 | 23.9 | 80 | 79 10/16 | 12.2 | 19.4 | 23.3 | 41.4 | 115 | - | - | - | - | - | | | | | | |
| 46 | - | - | - | - | - | 81 | - | - | - | - | - | 116 | 115 1/16 | 17.3 | 27.3 | 33.7 | 57.9 | | | | | | |

Power Consumption

Tested at Full Power with PSUNI Series power supplies.

Standard Nominal Lengths offered provide minimal shadowing. For alternate lengths, please consult Inside Sales with specific request.

High Efficacy (HE64)

| Nominal Length (in) | Actual Length | Watts VHO | Nominal Length (in) | Actual Length | Watts VHO | Nominal Length (in) | Actual Length | Watts VHO | Nominal Length (in) | Actual Length | Watts VHO |
|---------------------|---------------|--------------|---------------------|---------------|--------------|---------------------|---------------|--------------|---------------------|---------------|--------------|
| 12 | 11 8/16 | 7.6 | 47 | 46 5/16 | 28.2 | 82 | 81 2/16 | 50.4 | 117 | – | – |
| 13 | 13 | 7.6 | 48 | 47 13/16 | 29.5 | 83 | 82 10/16 | 51.7 | 118 | 117 8/16 | 72.8 |
| 14 | – | – | 49 | – | – | 84 | – | – | 119 | 119 | 73.3 |
| 15 | 14 8/16 | 8.9 | 50 | 49 5/16 | 30.1 | 85 | 84 3/16 | 52.3 | 120 | – | – |
| 16 | – | – | 51 | 50 14/16 | 31.4 | 86 | 85 11/16 | 53.6 | 121 | 120 8/16 | 74.4 |
| 17 | 16 | 9.5 | 52 | – | – | 87 | – | – | 122 | – | – |
| 18 | 17 9/16 | 10.7 | 53 | 52 6/16 | 32.0 | 88 | 87 3/16 | 54.2 | 123 | 122 | 74.8 |
| 19 | – | – | 54 | 53 14/16 | 33.3 | 89 | 88 11/16 | 55.5 | 124 | 123 8/16 | 75.6 |
| 20 | 19 1/16 | 11.4 | 55 | – | – | 90 | – | – | 125 | – | – |
| 21 | 20 9/16 | 12.6 | 56 | 55 6/16 | 34.0 | 91 | 90 3/16 | 56.2 | 126 | 125 1/16 | 76.0 |
| 22 | – | – | 57 | 56 14/16 | 35.2 | 92 | 91 12/16 | 57.5 | 127 | 126 9/16 | 76.8 |
| 23 | 22 1/16 | 13.2 | 58 | – | – | 93 | – | – | 128 | – | – |
| 24 | 23 9/16 | 14.5 | 59 | 58 7/16 | 36.5 | 94 | 93 4/16 | 58.2 | 129 | 128 1/16 | 77.2 |
| 25 | – | – | 60 | 59 15/16 | 37.2 | 95 | 94 12/16 | 59.5 | 130 | 129 9/16 | 78.0 |
| 26 | 25 2/16 | 15.1 | 61 | – | – | 96 | – | – | 131 | – | – |
| 27 | 26 10/16 | 16.4 | 62 | 61 7/16 | 38.4 | 97 | 96 4/16 | 60.1 | 132 | 131 2/16 | 78.4 |
| 28 | – | – | 63 | 62 15/16 | 39.1 | 98 | 97 13/16 | 61.4 | 133 | 132 10/16 | 79.2 |
| 29 | 28 2/16 | 17.0 | 64 | – | – | 99 | – | – | 134 | – | – |
| 30 | 29 10/16 | 18.2 | 65 | 64 8/16 | 40.4 | 100 | 99 5/16 | 62.0 | 135 | 134 2/16 | 79.6 |
| 31 | – | – | 66 | 66 | 41.0 | 101 | 100 13/16 | 63.2 | 136 | 135 10/16 | 80.3 |
| 32 | 31 3/16 | 18.9 | 67 | – | – | 102 | – | – | 137 | – | – |
| 33 | 32 11/16 | 20.1 | 68 | 67 8/16 | 42.3 | 103 | 102 5/16 | 63.8 | 138 | 137 2/16 | 80.6 |
| 34 | – | – | 69 | – | – | 104 | 103 13/16 | 65.0 | 139 | 138 11/16 | 81.3 |
| 35 | 34 3/16 | 20.7 | 70 | 69 | 42.9 | 105 | – | – | 140 | – | – |
| 36 | 35 11/16 | 22.0 | 71 | 70 8/16 | 44.2 | 106 | 105 6/16 | 65.6 | 141 | 140 3/16 | 81.7 |
| 37 | – | – | 72 | – | – | 107 | 106 14/16 | 66.8 | 142 | 141 11/16 | 82.4 |
| 38 | 37 3/16 | 22.6 | 73 | 72 1/16 | 44.9 | 108 | – | – | 143 | – | – |
| 39 | 38 12/16 | 23.9 | 74 | 73 9/16 | 46.1 | 109 | 108 6/16 | 67.4 | 144 | 143 3/16 | 82.7 |
| 40 | – | – | 75 | – | – | 110 | 109 14/16 | 68.5 | | | |
| 41 | 40 4/16 | 24.5 | 76 | 75 1/16 | 46.7 | 111 | – | – | | | |
| 42 | 41 12/16 | 25.7 | 77 | 76 9/16 | 48.0 | 112 | 111 7/16 | 69.6 | | | |
| 43 | – | – | 78 | – | – | 113 | 112 15/16 | 70.1 | | | |
| 44 | 43 4/16 | 26.4 | 79 | 78 2/16 | 48.6 | 114 | – | – | | | |
| 45 | 44 13/16 | 27.6 | 80 | 79 10/16 | 49.8 | 115 | 114 7/16 | 71.2 | | | |
| 46 | – | – | 81 | – | – | 116 | 115 15/16 | 71.7 | | | |

Voltage Drop Calculator

The below chart assumes nominal voltage of 24 Volts and a Voltage Drop Allowance of 3% through the wire

| Wattage [W] | Maximum Wire Length From Power Supply to Start of Run [ft] | | | | | | |
|-------------|--|--------|--------|--------|--------|--------|--------|
| | 12 AWG | 14 AWG | 16 AWG | 18 AWG | 20 AWG | 22 AWG | 24 AWG |
| 5 | 1088.2 | 684.4 | 430.3 | 270.6 | 170.2 | 107.1 | 67.3 |
| 10 | 544.1 | 342.2 | 215.1 | 135.3 | 85.1 | 53.5 | 33.7 |
| 15 | 362.7 | 228.1 | 143.4 | 90.2 | 56.7 | 35.7 | 22.4 |
| 20 | 272.0 | 171.1 | 107.6 | 67.7 | 42.6 | 26.8 | 16.8 |
| 25 | 217.6 | 136.9 | 86.1 | 54.1 | 34.0 | 21.4 | 13.5 |
| 30 | 181.4 | 114.1 | 71.7 | 45.1 | 28.4 | 17.8 | 11.2 |
| 35 | 155.5 | 97.8 | 61.5 | 38.7 | 24.3 | 15.3 | 9.6 |
| 40 | 136.0 | 85.5 | 53.8 | 33.8 | 21.3 | 13.4 | 8.4 |
| 45 | 120.9 | 76.0 | 47.8 | 30.1 | 18.9 | 11.9 | 7.5 |
| 50 | 108.8 | 68.4 | 43.0 | 27.1 | 17.0 | 10.7 | 6.7 |
| 55 | 98.9 | 62.2 | 39.1 | 24.6 | 15.5 | 9.7 | 6.1 |
| 60 | 90.7 | 57.0 | 35.9 | 22.6 | 14.2 | 8.9 | 5.6 |
| 65 | 83.7 | 52.6 | 33.1 | 20.8 | 13.1 | 8.2 | 5.2 |
| 70 | 77.7 | 48.9 | 30.7 | 19.3 | 12.2 | 7.6 | 4.8 |
| 75 | 72.5 | 45.6 | 28.7 | 18.0 | 11.3 | 7.1 | 4.5 |
| 80 | 68.0 | 42.8 | 26.9 | 16.9 | 10.6 | 6.7 | 4.2 |
| 85 | 64.0 | 40.3 | 25.3 | 15.9 | 10.0 | 6.3 | 4.0 |
| 90 | 60.5 | 38.0 | 23.9 | 15.0 | 9.5 | 5.9 | 3.7 |
| 96 | 56.7 | 35.6 | 22.4 | 14.1 | 8.9 | 5.6 | 3.5 |

Power Supplies

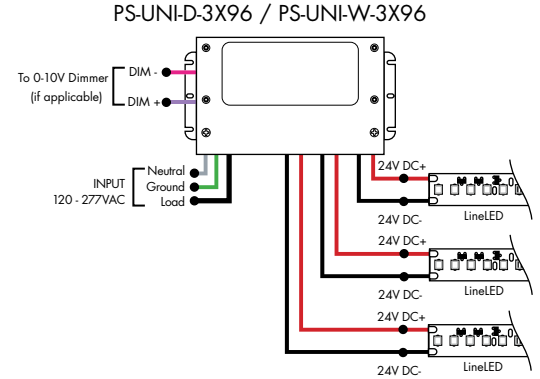
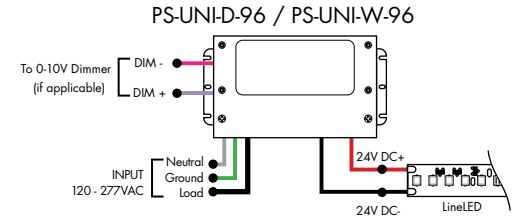
See Power Supply instructions and spec sheet for wiring information. For a complete list of compatible dimmers, see Compatible Dimming Chart on the Resources page.

Ordering Code Universal Dimming Power Supplies 1% 120VAC - 277VAC

| MODEL | INPUT CONTROL | ENVIRONMENT | WATTAGE | OUTPUT |
|-----------------------------|----------------------------------|----------------|--|-----------|
| PS-Power Supply, 120-277VAC | UNI-0-10V Dimming, Phase Dimming | D-Dry W-Wet | 30-30 Watts 60-60 Watts 96-96 Watts 3x96-3x96 Watts | 24-24 VDC |

Compatibility: View a complete list of compatible dimmers on product page [\(Link\)](#)

0-10V - 1% dimming
MLV/ELV/TRIAC - 1% dimming, consult dimming compatibility chart



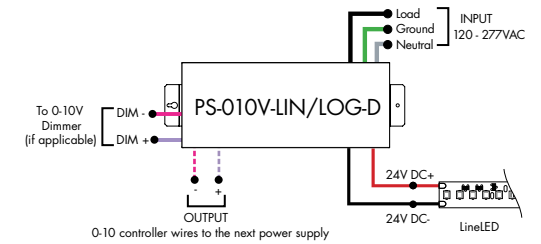
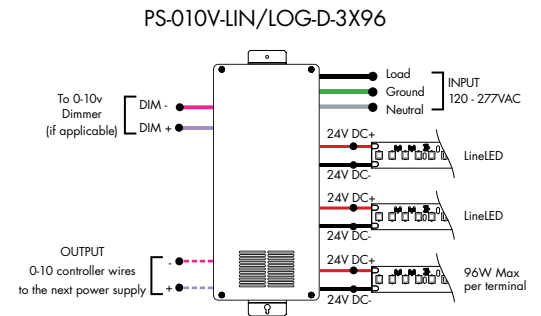
| MODELS | PS-UNI-W-30W | PS-UNI-W-60W | PS-UNI-W-96W | PS-UNI-W-3X96W |
|---------------|--------------|--------------|--------------|----------------|
| Length | 6.50" | 7.40" | 8.66" | 11.85" |
| Width | 3.73" | 3.73" | 3.73" | 4.32" |
| Depth | 1.61" | 1.61" | 1.61" | 1.81" |

| MODELS | PS-UNI-D-30W | PS-UNI-D-60W | PS-UNI-D-96W | PS-UNI-D-3X96W |
|---------------|--------------|--------------|--------------|----------------|
| Length | 8.77" | 8.77" | 8.11" | 9.94" |
| Width | 4.27" | 4.27" | 5.60" | 7.61" |
| Depth | 1.83" | 1.83" | 1.83" | 2.02" |

Ordering Code 0-10V Dimming Power Supplies 0.1% 120VAC - 277VAC

| MODEL | INPUT CONTROL | ENVIRONMENT | WATTAGE | OUTPUT |
|-----------------------------|---|-------------|--------------------------------|-----------|
| PS-Power Supply, 120-277VAC | 010V-LIN-0-10V Dimming (0.1%), Linear 010V-LOG-0-10V Dimming (0.1%), Logarithmic | D-Dry | 96-96 Watts 3X96-3x96 Watts | 24-24 VDC |

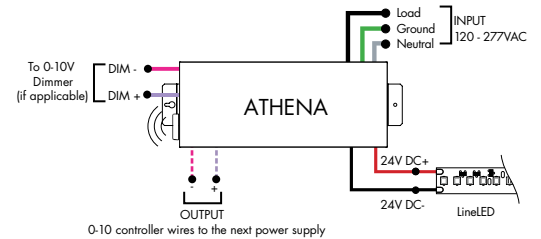
| MODELS | 96W | 3X96 |
|---------------|--------|--------|
| Length | 14.40" | 15.00" |
| Width | 5.20" | 6.62" |
| Depth | 2.60" | 4.45" |



Athena 0-10V LED Driver

| MODEL | INPUT CONTROL | ENVIRONMENT | WATTAGE | OUTPUT | FEATURE |
|-----------------------------|---|-------------|---------|-----------|-------------|
| PS-Power Supply, 120-277VAC | 010V-LIN-0-10V Dimming, Linear 010V-LOG-0-10V Dimming, Logarithmic | D-Dry | 96-96 W | 24-24 VDC | AWNR-Athena |

| MODELS | 96W |
|---------------|--------|
| Length | 14.40" |
| Width | 5.20" |
| Depth | 2.60" |



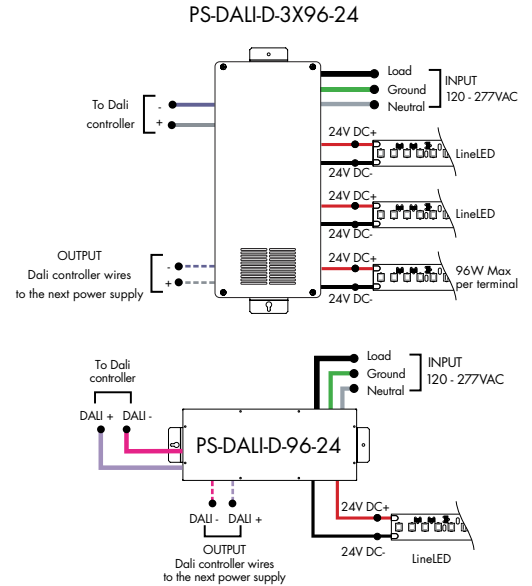
Power Supplies

See Power Supply instructions and spec sheet for wiring information. For a complete list of compatible dimmers, see Compatible Dimming Chart on the Resources page.

Ordering Code DALI1 Dimming Power Supplies 0.1% 120VAC - 277VAC

| MODEL | INPUT CONTROL | ENVIRONMENT | WATTAGE | OUTPUT |
|-----------------------------|------------------|-------------|--------------------------------|-----------|
| PS-Power Supply, 120-277VAC | DALI-DALI (0.1%) | D-Dry | 96-96 Watts 3X96-3X96 Watts | 24-24 VDC |

| Model | 96W | 3X96 |
|--------|--------|--------|
| Length | 14.40" | 15.00" |
| Width | 5.20" | 6.62" |
| Depth | 2.60" | 4.56" |

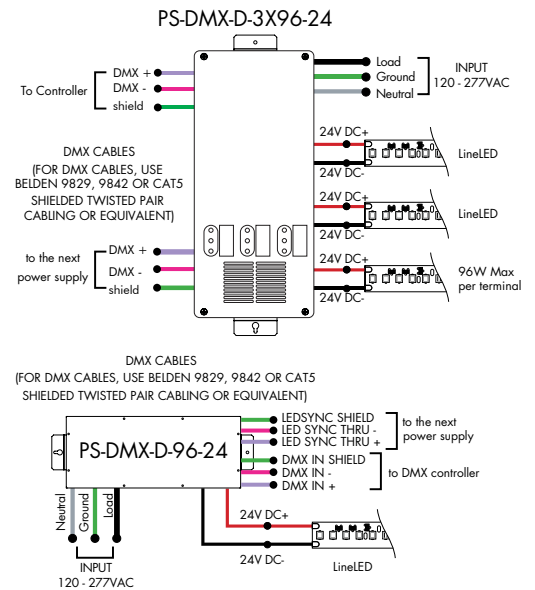


Ordering Code DMX Dimming Power Supplies 0.1% 120VAC - 277VAC Requires Zonal Control

| MODEL | INPUT CONTROL | ENVIRONMENT | WATTAGE | OUTPUT |
|-----------------------------|----------------|-------------|--------------------------------|-----------|
| PS-Power Supply, 120-277VAC | DMX-DMX (0.1%) | D-Dry | 96-96 Watts 3X96-3X96 Watts | 24-24 VDC |

*Zonal control power supplies. Control multiple tapes/zones using DMX channels.

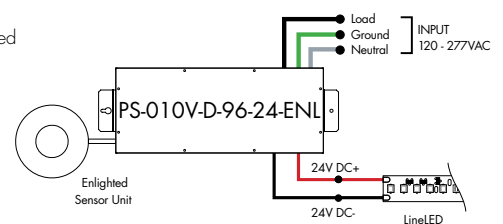
| MODELS | 96W | 3X96 |
|--------|--------|--------|
| Length | 14.40" | 15.00" |
| Width | 5.20" | 6.62" |
| Depth | 2.60" | 4.56" |



Ordering Code Enlightened Enabled Dimming Power Supplies 1% 120VAC - 277VAC

| MODEL | INPUT CONTROL | ENVIRONMENT | WATTAGE | OUTPUT | FEATURE |
|-----------------------------|-------------------------|-------------|-------------|-----------|-----------------------|
| PS-Power Supply, 120-277VAC | 010V-0-10V Dimming (1%) | D-Dry | 96-96 Watts | 24-24 VDC | ENL-0-10V Enlightened |

| Model | 96W |
|--------|--------|
| Length | 14.40" |
| Width | 5.20" |
| Depth | 2.60" |

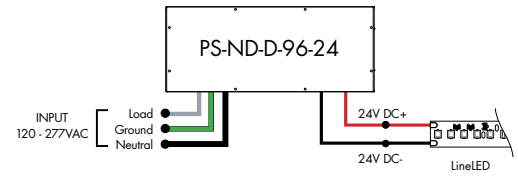


Power Supplies

See Power Supply instructions and spec sheet for wiring information. For a complete list of compatible dimmers, see Compatible Dimming Chart on the Resources page.

Ordering Code Non-Dimming Power Supply 120VAC - 277VAC

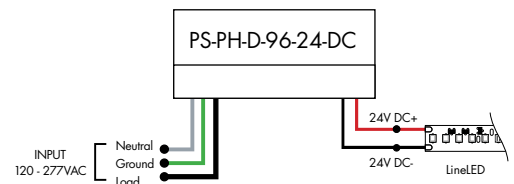
| MODEL | INPUT CONTROL | ENVIRONMENT | WATTAGE | OUTPUT |
|-------------------------------|------------------|-------------|-------------|-------------|
| PS - Power Supply, 120-277VAC | ND - Non Dimming | D - Dry | 96-96 Watts | 24 - 24 VDC |



| MODELS | 96W |
|--------|--------|
| Length | 14.40" |
| Width | 5.20" |
| Depth | 2.60" |

Ordering Code Phase Dimming Power Supply 1% 120VAC - 277VAC

| MODEL | INPUT CONTROL | ENVIRONMENT | WATTAGE | OUTPUT | OUTPUT CONTROL |
|-------------------------------|--------------------------------------|-------------|---------------|-------------|---------------------|
| PS - Power Supply, 120-277VAC | PH - Phase Dimming (Triac, ELV, MLV) | D - Dry | 96 - 96 Watts | 24 - 24 VDC | DC - Direct Current |



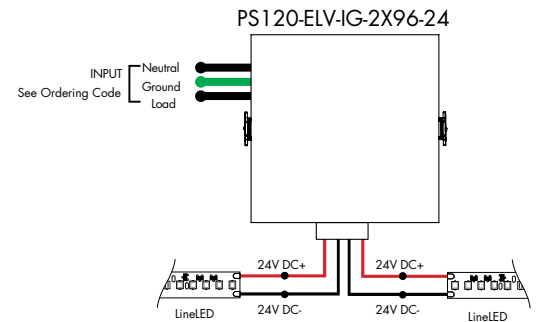
MLV/ELV/TRIAC - 1% dimming, consult dimming compatibility chart ([link](#))

NOTE:
OVER THE WHITE, GREEN, AND BLACK WIRES,
CONNECT TO ELV OR MLV DIMMER

| MODELS | 96W |
|--------|-------|
| Length | 8.25" |
| Width | 4.10" |
| Depth | 1.56" |

Ordering Code In-Ground Power Supplies

| MODEL | INPUT CONTROL | ENVIRONMENT | WATTAGE | OUTPUT |
|--|------------------------|----------------|-------------------|-------------|
| PS120 - Power Supply, 120VAC PS240 - Power Supply, 240VAC PS277 - Power Supply, 277VAC | ELV - ELV Dimming (1%) | IG - In Ground | 2X96 - 2X96 Watts | 24 - 24 VDC |



| MODELS | 2X96W |
|--------|-------|
| Length | 8.40" |
| Width | 8.30" |
| Depth | 8.10" |

Power Supplies

See Power Supply instructions and spec sheet for wiring information. For a complete list of compatible dimmers, see Compatible Dimming Chart on the Resources page.



Luminii is a Lutron OEM Advantage Partner

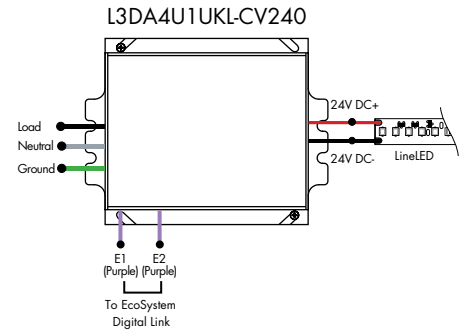
Lutron Power Supplies 1%

MODEL

L3DA4U1UKL-CV240

HiLume™ 1% EcoSystem Voltage LED driver
40W max

| MODELS | L3DA4U1UKL-CV240 |
|---------------|------------------|
| Length | 4.98" |
| Width | 4.00" |
| Depth | 2.62" |



Luminii is a Lutron OEM Advantage Partner

Lutron Power Supplies 0.1%

MODEL

L3D0-96W24V-U

HiLume™ 0.1% EcoSystem Voltage LED Driver with Soft-On, Fade-to-Black™
96W max

| MODELS | L3D0 |
|---------------|--------|
| Length | 10.50" |
| Width | 5.50" |
| Depth | 2.00" |

