

Features

The KRM Channel is a linear aluminum extrusion that has been designed to fit many recess-mount LED lighting needs. The discrete profile and neutral finish allow for the perfect fit in multiple mounting surfaces for any application. Channels come with specified Mounting Clips and End Caps.

Finish

Silver anodized, White, Black, Bronze

Diffuser Lens

Polycarbonate, snap-in-place, UV resistant

Mounting

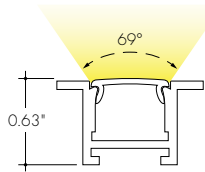
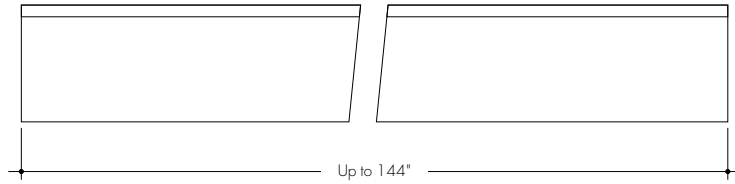
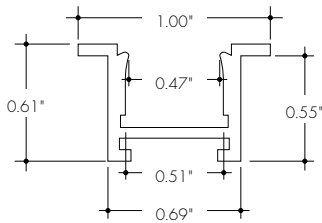
Multiple mounting clips

Warranty

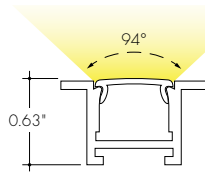
7 Years



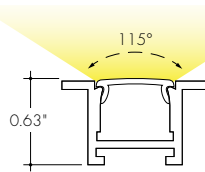
Product Dimensions



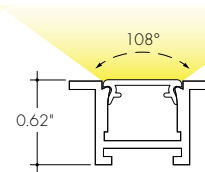
Clear Lens



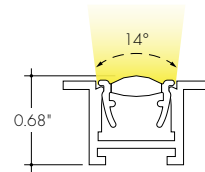
Half-Frosted Lens



Frosted Lens



Flat Frosted Gel Lens



Narrow Beam Grazer Lens

INCLUDED MOUNTING ACCESSORIES

EXTRUSION LENGTH	HARD SURFACE	GYPSON SURFACE	ENDCAP PAIR
48"	2	6	1
72"	3	6	1
96"	4	8	1
120"	5	10	1
144"	5	10	1

Each pair of endcaps includes 2x H3 (no wire feed hole) end caps where applicable. Additional endcaps and mounting clips are available for purchase.

TRANSMISSION PERCENTAGE
(COMPARED TO LED TAPE WITHOUT CHANNEL)

LENS	TRANSMISSION %
Clear	82%
Half Frosted	68%
Narrow Beam Grazer	56%
Flat Frosted	52%
Frosted	45%

See LED tape spec sheet for lens dotting characteristics & compatibility

Ordering code

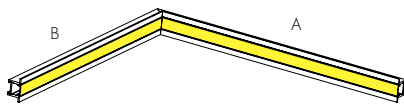
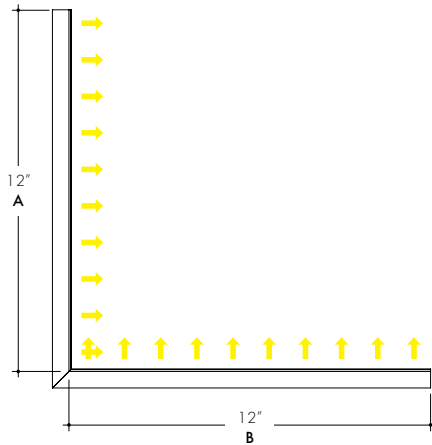
MODEL	LENGTH	LENS	MOUNTING ²	FINISH ⁴
KRMC - KRM Channel ¹	48 - 48" 72 - 72" 96 - 96" ³ 120 - 120" ³ 144 - 144" ³	C - Clear HF - Half-Frosted F - Frosted GR - Narrow Beam Grazer FF - Flat Frosted	HS - Hard Surface Mounting Bracket GS - Gypsum Surface Mounting Bracket	BASE SA - Silver Anodized POWDER COATED BK - Black BZ - Bronze WH - White

1 - End Caps are included with channel, two of H3(no hole). Order additional End Caps as necessary.
2 - Mounting Clips are included with channel. Refer to chart above for provided mounting clip quantities. Order additional Mounting Clips as necessary.

3 - For Channels and Lenses over 96", incremental shipping charges will apply.
4 - Non SA finishes may have extended lead times. Custom RALs are available, please consult Inside Sales with specific request.

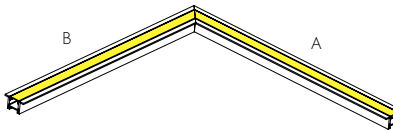
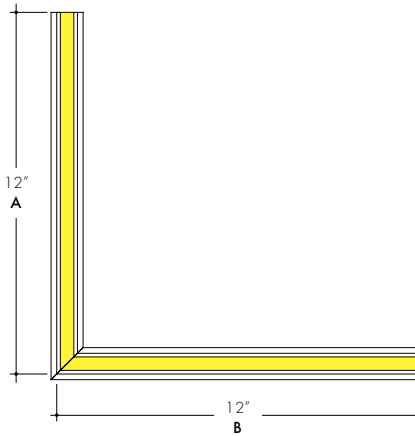
Kendo M Recessed Channel Corner Options

KRMC-IC-90-12-12
Inner Corner



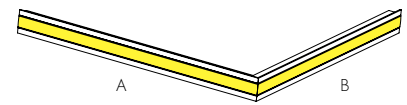
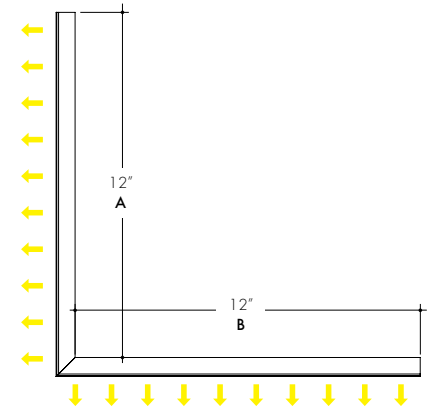
Dimensions measured for the length of the outer (longer) length or the recessed needed

KRMC-FC-90-12-12
Flat Corner



Dimensions measured for the length of recessed needed

KRMC-OC-90-12-12
Outside Corner



Dimensions measured for the length of recessed needed

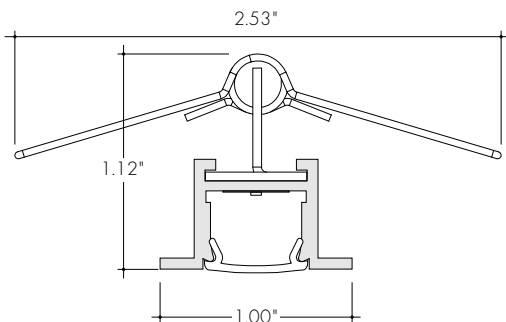
Ordering Code

MODEL	CORNER TYPE	CORNER ANGLE	LENS	MOUNTING ²	FINISH ³
KRMC-Kendo M Recessed Channel ¹	IC-Inner Corner FC-Flat Corner OC-Outer Corner	90-90°	C-Clear HF-Half-Frosted F-Frosted GR-Narrow Beam Grazer FF-Flat Frosted	HS-Hard Surface Mounting Bracket GS-Gypsum Surface Mounting Bracket	<div style="border: 1px solid black; padding: 5px;"> <p>BASE</p> <p>SA-Silver Anodized</p> </div> <div style="border: 1px solid black; padding: 5px; margin-top: 5px;"> <p>POWDER COATED</p> <p>BK-Black BZ-Bronze WH-White</p> </div>

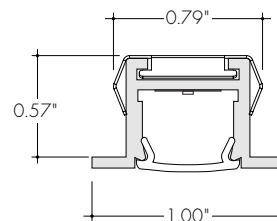
1 - End Caps are not included with channel, order End Caps as necessary.
 2 - 2 Mounting Clips are included with each corner. Order additional Mounting Clips as necessary.
 3 - Powder Coat finishes may have extended lead times. Custom RALs are available, please consult Inside Sales with specific request.

Mounting Brackets

MB-KRMSC-G
Stainless Steel Gypsum Surface Mounting Bracket
-GS



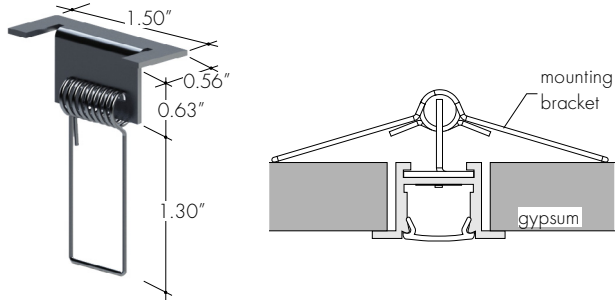
MB-KRMSC-H
Stainless Steel Hard Surface Mounting Bracket
-HS



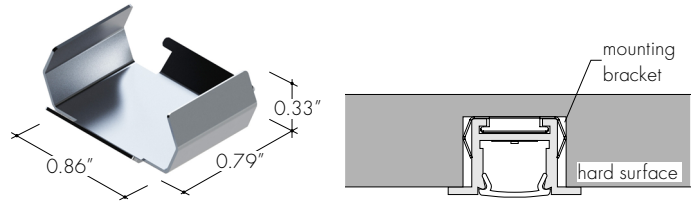
All Channels come with a specified set of Mounting Clips and End Caps, see Ordering Code for details. Order additional Mounting Clips and EndCaps as necessary.

Mounting Brackets

MB-KRMSC-G
Stainless Steel Gypsum Surface Mounting Bracket
-GS

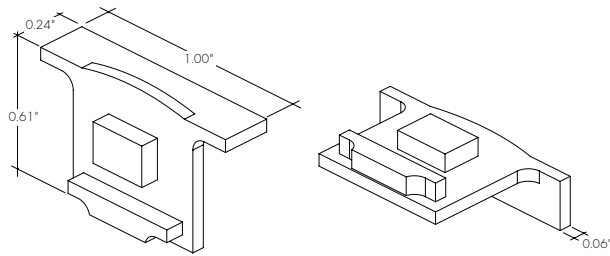


MB-KRMSC-H
Stainless Steel Hard Surface Mounting Bracket
-HS



End Caps

EC-KRMC-F-H3-XX
Kendo M Recessed End Cap



XX	Color
SA	Silver Anodized
WH	White
BK	Black
BZ	Bronze

