



Features

The KILO Channel is a linear aluminum extrusion that has been designed to fit many LED lighting needs and specifically high output applications. Substantial aluminum mass in profile provides excellent heat sink and physical protection for high power LEDs. The wide profile design can accommodate up to two rows of LED strips making the KILO extrusion ideal for bright general lighting applications. Extrusion and lens are field-cuttable. Channels come with specified Mounting Clips and End Caps.

Finish

- Silver Anodized
- White
- Black
- Bronze

Mounting

Multiple Mounting clips

Diffuser lens

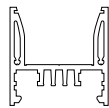
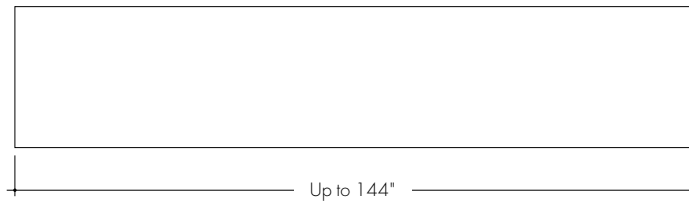
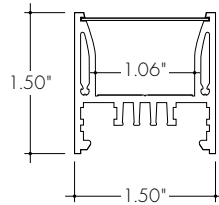
- Polycarbonate
- Snap-in-place
- UV resistant

Warranty

7 Years

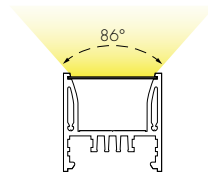
Declare. MADE IN U.S.A.

Product Dimensions

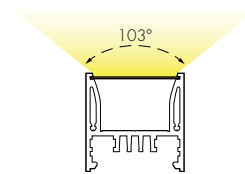


No Lens

* Only ordered when purchasing separate roll lens (page 3)



Clear Lens



Frosted Lens

INCLUDED MOUNTING ACCESSORIES

EXTRUSION LENGTH	CONCEALED BRACKET	ADJUSTABLE	ENDCAP PAIR
48"	3	3	1
72"	4	4	1
96"	5	4	1
120"	5	5	1
144"	6	6	1

Each pair of endcaps includes 1x H3 (no wire feed hole) and 1x H4 (with hole) where applicable. Additional endcaps and mounting clips are available for purchase.

TRANSMISSION PERCENTAGE
(COMPARED TO LED TAPE WITHOUT CHANNEL)

LENS	TRANSMISSION %
Clear Lens	85%
Frosted Lens	75%

See LED tape spec sheet for lens dotting characteristics & compatibility

Ordering Code

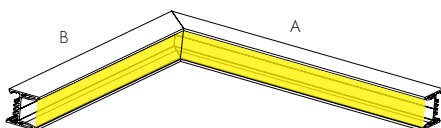
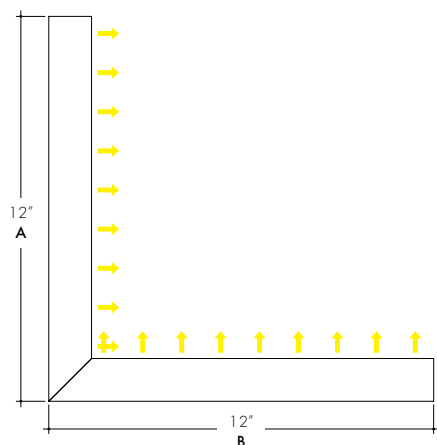
MODEL	LENGTH	LENS	MOUNTING ²	FINISH ⁴
KILOC - Kilo Channel ¹	48 - 48" 72 - 72" 96 - 96" ³ 120 - 120" ³ 144 - 144" ³	F - Frosted C - Clear N - No Lens	CB - Concealed Bracket A - Adjustable Hinge Mounting	BASE SA - Silver Anodized POWDER COATED BK - Black BZ - Bronze WH - White

1 - End Caps are included with channel, one of H3 (no hole) and one of H4 (with hole). Order additional End Caps as necessary.
2 - Mounting Clips are included with channel. Refer to chart above for provided mounting clip quantities. Order additional Mounting Clips as necessary.

3 - For Channels and Lenses over 96", incremental shipping charges will apply.
4 - Powder Coat finishes may have extended lead times. Custom RALs are available, please consult Inside Sales with specific request.

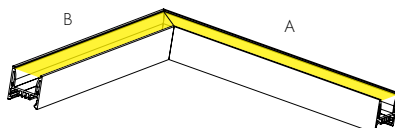
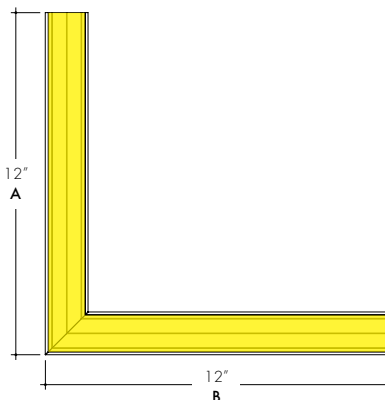
Kilo Channel Corner Options

KILOC-IC-90 Inner Corner



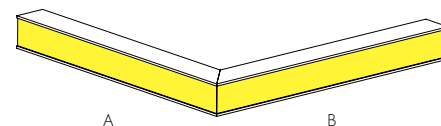
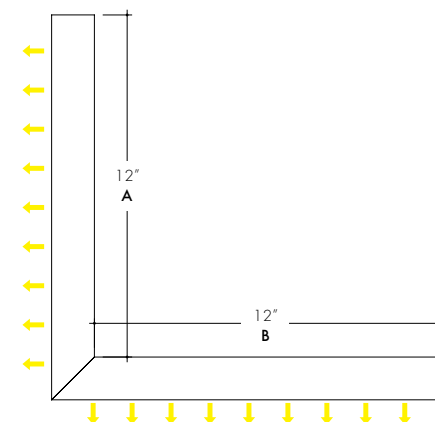
Dimensions measured from the mounting surface face

KILOC-FC-90 Flat Corner



Dimensions measured for the length of the outer (longer) edge of the extrusion

KILOC-OC-90 Outside Corner



Dimensions measured from the mounting surface face

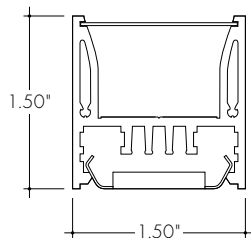
Ordering Code

MODEL	CORNER TYPE	CORNER ANGLE	LENS	MOUNTING ²	FINISH ³
KILOC-Kilo Channel ¹	IC- Inner Corner FC- Flat Corner OC- Outer Corner	90-90°	F- Frosted C- Clear N- No Lens	CB- Concealed Bracket	<p>BASE</p> <p>SA- Silver Anodized</p> <hr/> <p>POWDER COATED</p> <p>BK- Black BZ- Bronze WH- White</p>

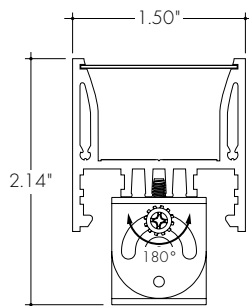
1 - End Caps are not included with channel, order End Caps as necessary.
 2 - 2 Mounting Clips are included with each corner. Order additional Mounting Clips as necessary.
 3 - Powder Coat finishes may have extended lead times. Custom RALs are available, please consult Inside Sales with specific request.

Mounting Clips

MB-KILOC-SS Concealed Bracket -CB



MC-KILOC-ADJ-XX Adjustable Bracket -A



XX	Color
SA	Silver Anodized
WH	White
BK	Black
BZ	Bronze

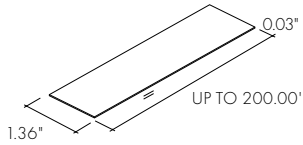
All Channels come with a specified set of Mounting Clips and End Caps, see Ordering Code for details. Order additional Mounting Clips and End Caps as necessary.

Lens

Pair with Kilo Channel ("No lens" option in extrusion ordering code) for continuous runs extending past 144". Field cuttable, order in 10ft increments up to 200ft.

KILO-CC
Kilo Channel Lens (Clear)

KILO-FF
Kilo Channel Lens (frosted)



Accessories

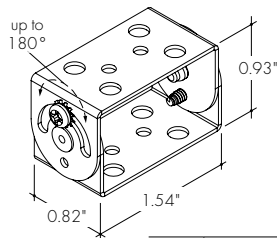
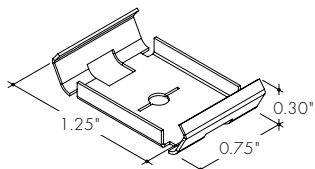
MB-KILO-SS
Concealed Bracket
-CB

MB-KILO-ADJ-XX
Adjustable Bracket
-A

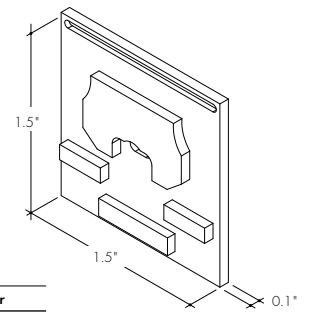
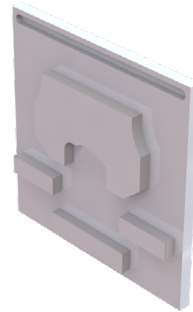
EC-KILO-H3-XX
End Cap

EC-KILO-H4-XX
End Cap with Powerfeed opening

*Not available with corners



XX	Color
SA	Silver Anodized
WH	White
BK	Black
BZ	Bronze

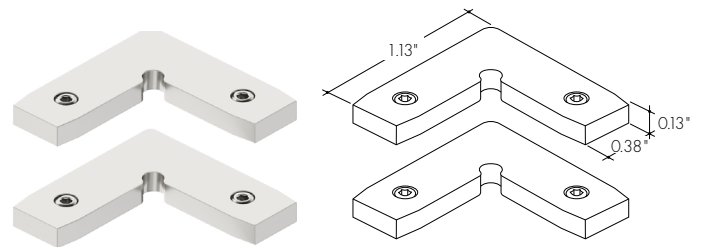
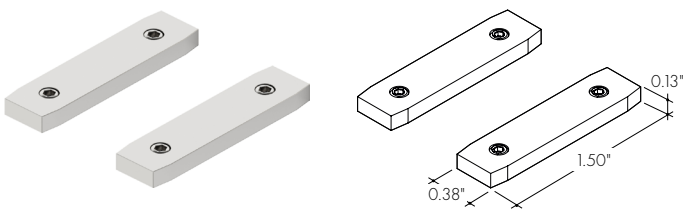


XX	Color
SA	Silver Anodized
WH	White
BK	Black
BZ	Bronze

Joiners

JOIN-M-ST
Medium Channel Straight Joiner, sold in pairs

JOIN-M-L
Flat Corner Joiner, sold in pairs - not needed if directly ordering corner assembly



JOIN-M-IN
Inner or Outer Corner Joiner, sold in pairs - not needed if directly ordering corner assembly

