

Installation Instructions - Hero Grille

Models LightShift Adjustable Luminaire



glint
by luminii

7777 Merrimac Ave
Niles, IL 60714
T 224.333.6033
F 224.757.7557
info@luminii.com
www.luminii.com

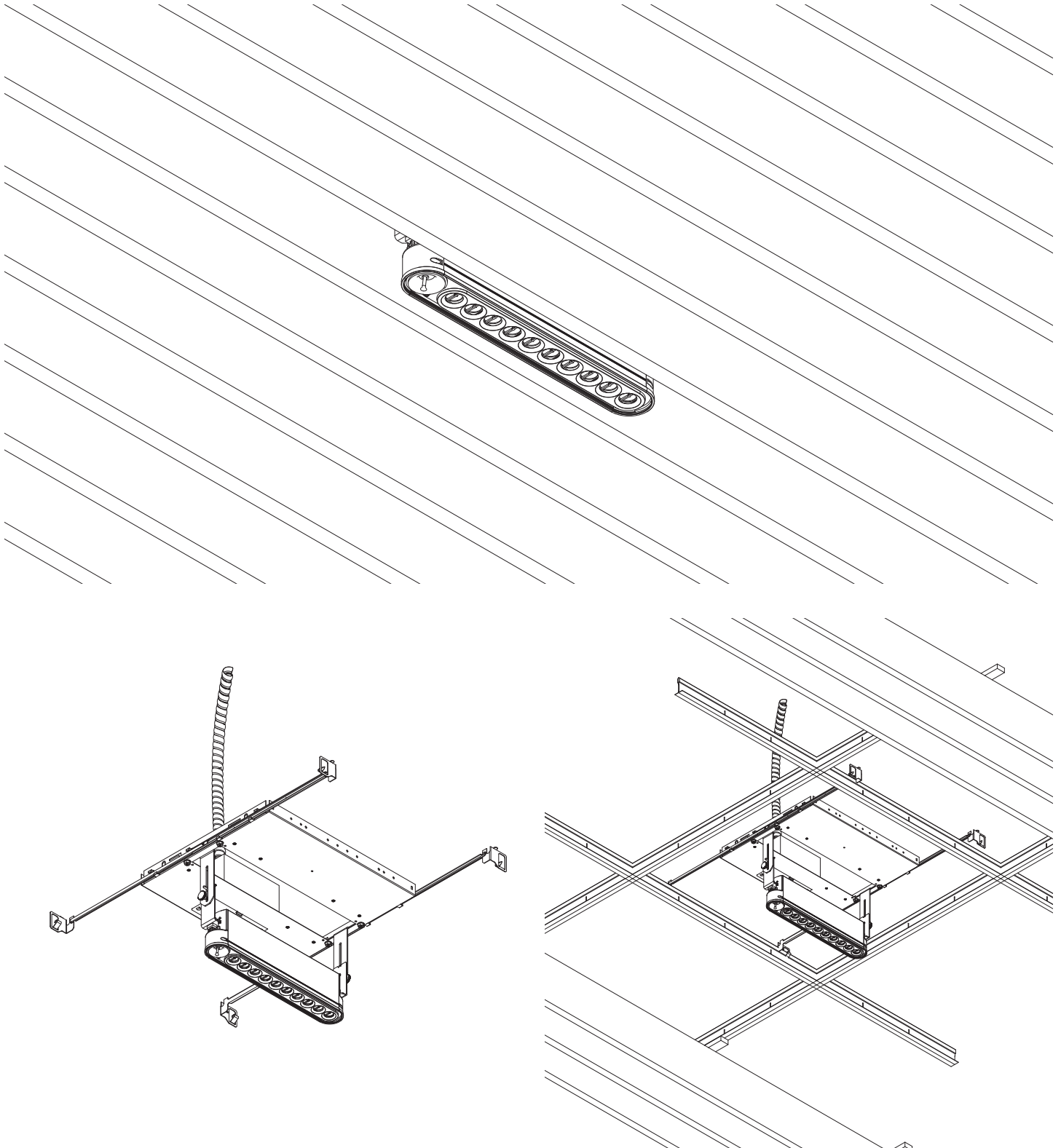
Please read all instructions prior to installation and keep for future reference!

1. PRODUCT TO BE INSTALLED BY A QUALIFIED ELECTRICIAN.
2. USE ONLY WITH CLASS 2 CLASS P POWER UNIT.
3. SUITABLE FOR DAMP LOCATIONS.
4. MIN 90°C SUPPLY CONDUCTORS.
5. DO NOT INSTALL INSULATION WITHIN 76 MM (3 IN) OF ANY PART OF THE LUMINAIRE.
6. BLINKING LIGHT OF THIS THERMALLY PROTECTED LUMINAIRE MAY INDICATE OVERHEATING

REVO.1
04072025

1 / 4

Please read all instructions prior to installation and keep for future reference!



Installation Instructions - Hero Grille

Models LightShift Adjustable Luminaire



glint
by luminii

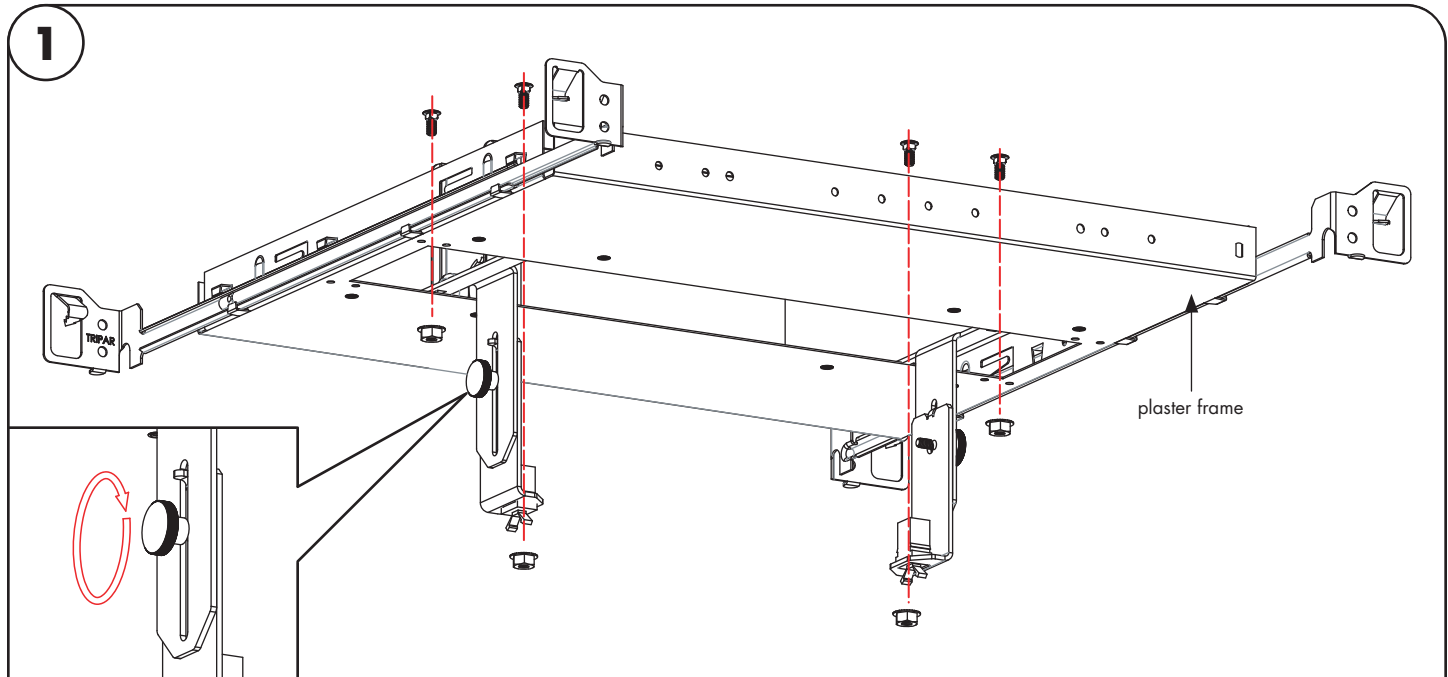
7777 Merrimac Ave
Niles, IL 60714
T 224.333.6033
F 224.757.7557
info@luminii.com
www.luminii.com

Please read all instructions prior to installation and keep for future reference!

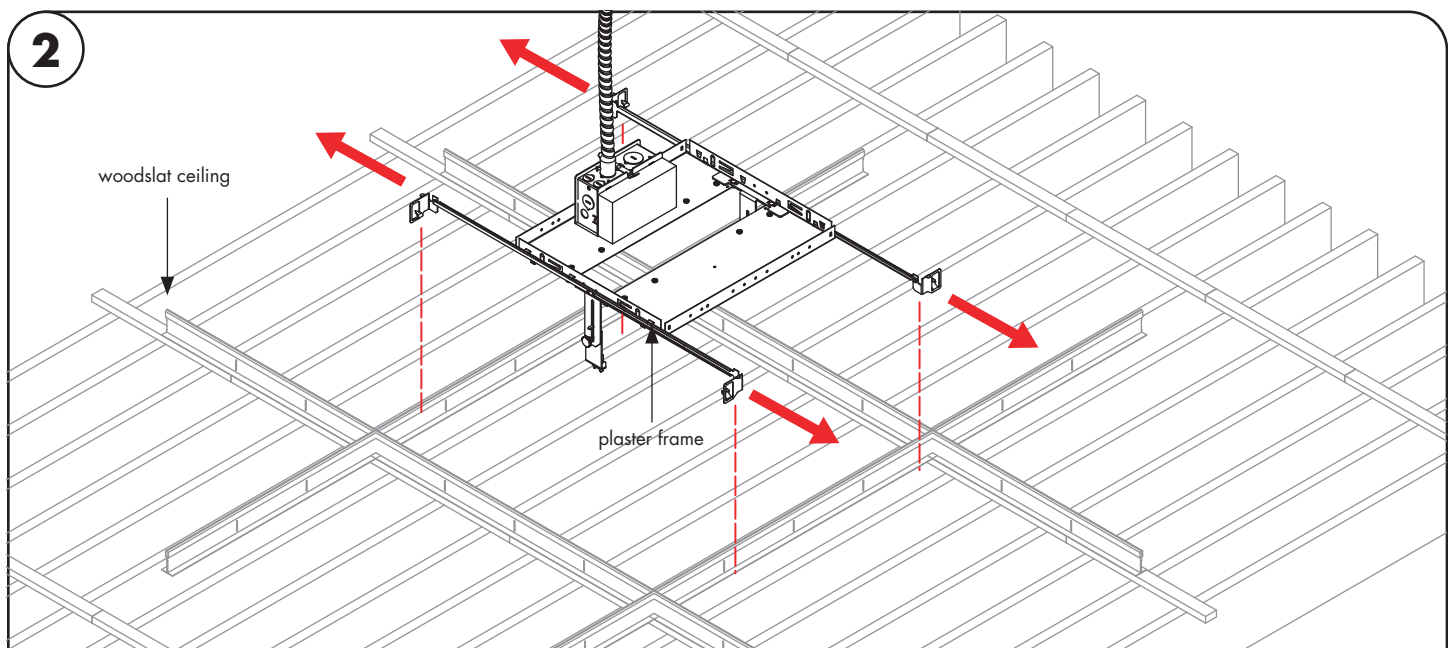
1. PRODUCT TO BE INSTALLED BY A QUALIFIED ELECTRICIAN.
2. USE ONLY WITH CLASS 2 CLASS P POWER UNIT.
3. SUITABLE FOR DAMP LOCATIONS.
4. MIN 90°C SUPPLY CONDUCTORS.
5. DO NOT INSTALL INSULATION WITHIN 76 MM (3 IN) OF ANY PART OF THE LUMINAIRE.
6. BLINKING LIGHT OF THIS THERMALLY PROTECTED LUMINAIRE MAY INDICATE OVERHEATING

REVO.1
04072025

2 / 4



- 1.1 Assemble the wood grille mounting bracket by joining the bracket base and the bracket arm together with the thumb screws and nuts. The thumb screws can be used later to adjust the fixture height by sliding the bracket arm up and down.
- 1.2 Install the wood grille bracket assembly to the plaster frame with the mounting bracket bolts and mounting bracket nuts. There are pre-drilled holes on either end of plaster frame that dictate the appropriate spacing of the brackets for a 6 or 10 emitter fixture. The slots on the top of the bracket base can be used to adjust the lateral offset of the fixture.



- 2.1 Determine the fixture placement within the grid, ensuring coordination with both the ceiling and electrical contractors if necessary. Utilize the position indicators to adjust the bars as needed. For added security or to meet seismic requirements, use a #8 self-tapping screw (provided by others) to lock the position in place. Working above the ceiling, you may install an infill panel if preferred (not shown in graphic, aperture opening cut required). Then, secure the fixture housing to the grid structure, ensuring it is centered over the cutout. Make sure the safety cable and LED connector pass through the opening and between the selected slats. By default, the plaster frame system is compatible on standard 2ft x 2ft grid systems. For 4ft x 4ft grid systems, an extended commercial bar hanger is required, please consult with factory.

Installation Instructions - Hero Grille

Models LightShift Adjustable Luminaire



glint
by luminii

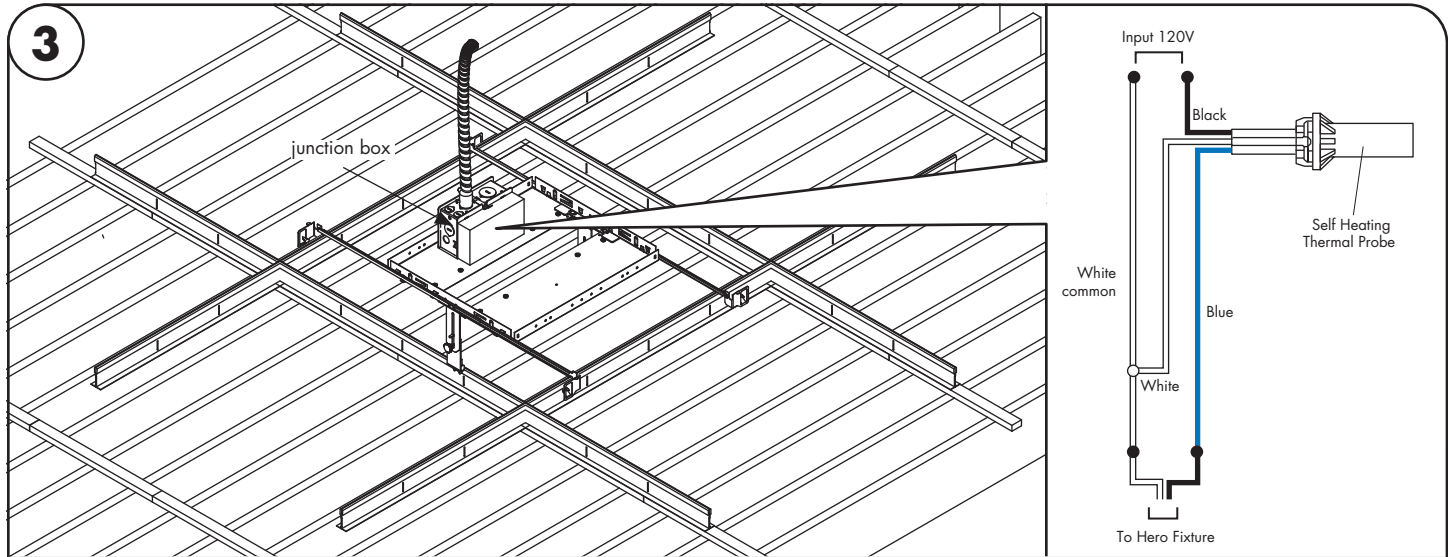
7777 Merrimac Ave
Niles, IL 60714
T 224.333.6033
F 224.757.7557
info@luminii.com
www.luminii.com

Please read all instructions prior to installation and keep for future reference!

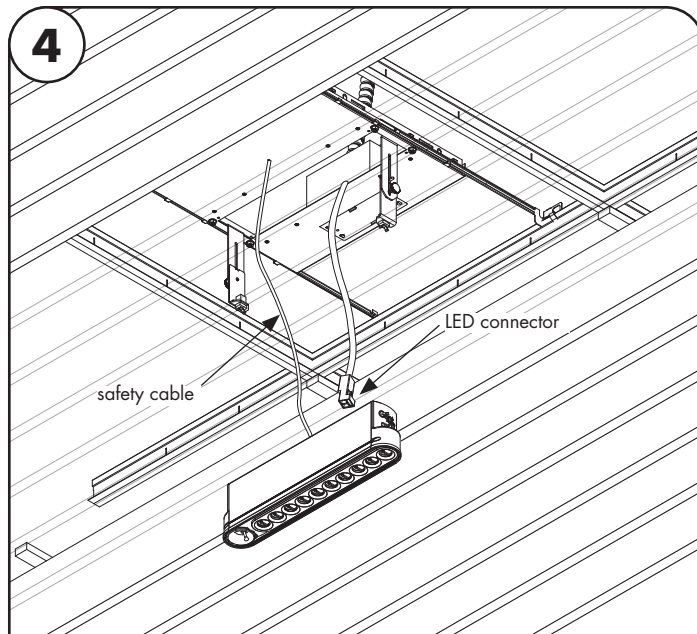
1. PRODUCT TO BE INSTALLED BY A QUALIFIED ELECTRICIAN.
2. USE ONLY WITH CLASS 2 CLASS P POWER UNIT.
3. SUITABLE FOR DAMP LOCATIONS.
4. MIN 90°C SUPPLY CONDUCTORS.
5. DO NOT INSTALL INSULATION WITHIN 76 MM (3 IN) OF ANY PART OF THE LUMINAIRE.
6. BLINKING LIGHT OF THIS THERMALLY PROTECTED LUMINAIRE MAY INDICATE OVERHEATING

REVO.1
04072025

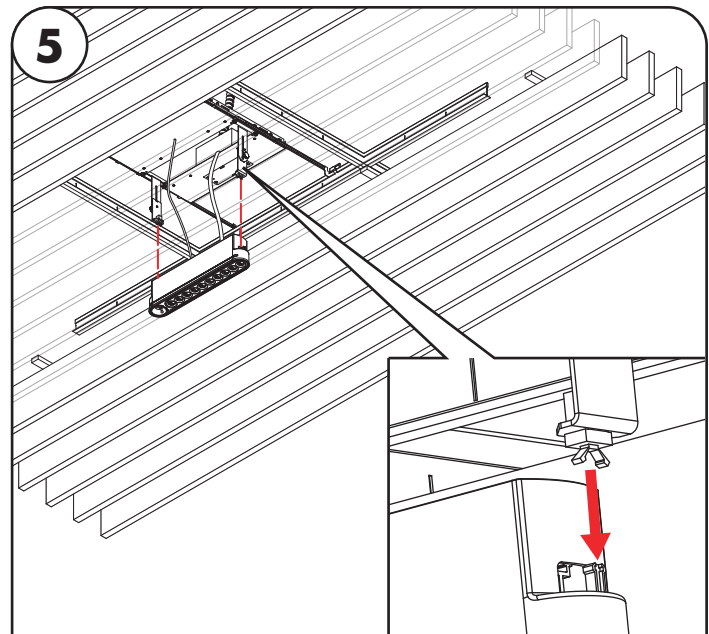
3 / 4



- 3.1 Integral Driver Fixture Wiring Only.** Route power and dimming feeds through the knockouts in the junction box compartment (Conduit by others). Install Self Heating Thermal Probe. Remove the cover to access the interior of the junction box. Complete the required connections following the wiring instructions, then securely reinstall the junction box cover. Ensure all connections comply with the National Electrical Code (NEC) and any applicable local regulations.



- 4.1** From below the ceiling, attach the safety cable and connect the LED connector. The safety cable can be secured to hook on the back of the fixture. Connect the LED connector to the corresponding connector on the fixture.



- 5.1** While working below the ceiling, push the fixture up into the housing until the mounting bracket engages with the spring catches. Make sure the safety cable and electrical harness do not obstruct the engagement. Ensure that both sides of the latches at the endcaps are fully secured. To remove fixture, press up again to release the spring catch.

Installation Instructions - Hero Grille

Models LightShift Adjustable Luminaire



glint
by luminii

7777 Merrimac Ave
Niles, IL 60714
T 224.333.6033
F 224.757.7557
info@luminii.com
www.luminii.com

Please read all instructions prior to installation and keep for future reference!

1. PRODUCT TO BE INSTALLED BY A QUALIFIED ELECTRICIAN.
2. USE ONLY WITH CLASS 2 CLASS P POWER UNIT.
3. SUITABLE FOR DAMP LOCATIONS.
4. MIN 90°C SUPPLY CONDUCTORS.
5. DO NOT INSTALL INSULATION WITHIN 76 MM (3 IN) OF ANY PART OF THE LUMINAIRE.
6. BLINKING LIGHT OF THIS THERMALLY PROTECTED LUMINAIRE MAY INDICATE OVERHEATING

REVO.1
04072025

4 / 4

6

side view

wood panel

hero fixture

6.1 The fixture should sit centered in the slats and flush with the bottom of the wood slat. The fixture should not sit regressed into the ceiling under any circumstances as beam clipping will occur. Minor protrusion gap is allowed but not recommended. Use thumb screw to adjust height within sliding region.

7

top view

hero fixture

wood panel

plaster frame

7.1 Loosen carriage bolt/nut on the bracket to adjust the fixture laterally.

8

lock screw

joy stick

8.1 Hero is powered by innovative Light Shift technology, where the direction of its light beam is adjusted by the joystick on the front face. The adjustment is locked by a single recessed lock screw.

Turn the recessed (a) lock screw counter-clockwise with a 1.5 mm hex key to unlock the joystick.

Adjust beam direction by moving the (b) joystick in the desired direction. The joystick should move smoothly with light resistance, loosen lock screw further if it is hard to move.

Tighten the lock screw to finger tightness, it is not necessary to overtighten.