



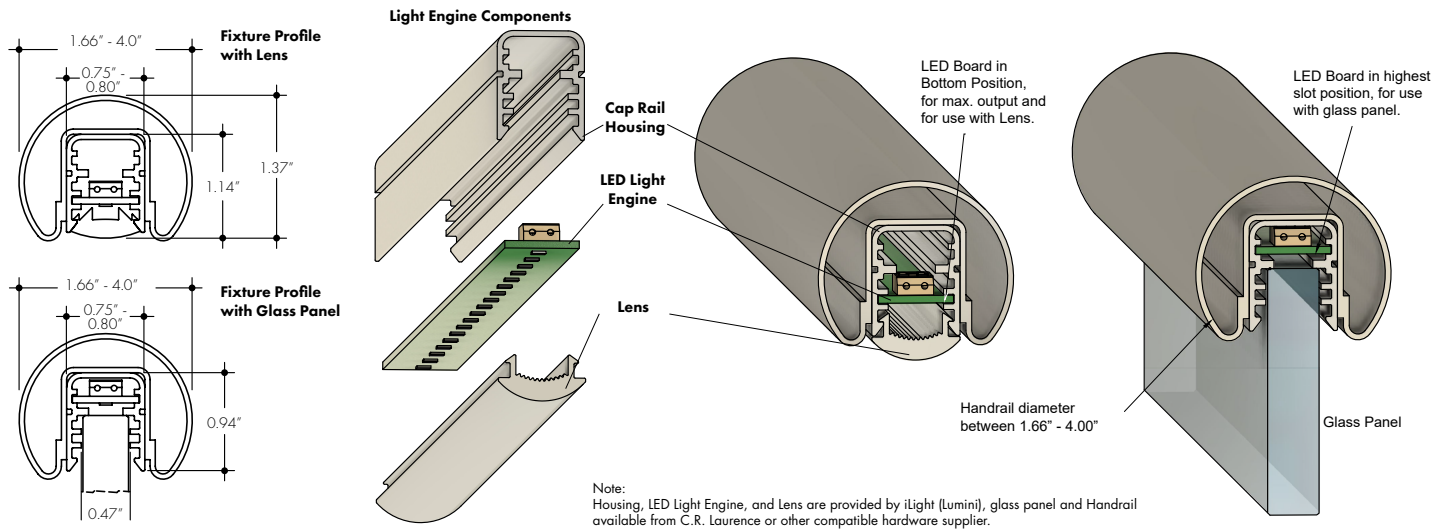
Features

- For use with C.R. Laurence handrail or hardware designed and manufactured to appropriate specifications
- Installer is responsible for confirming field measurements.
- iLight provides LED light engine, housing, lens, and connection hardware. Handrail and additional hardware to be supplied by others (by C.R. Laurence when specified)
- Easy to assemble and install
- Multiple handrail diameter options
- Dimmable
- Meets A.D.A requirements for handrail diameters
- Cap Rail Housing available in 1' increments up to 6'. Cap Rail Housing, LED Light Engine, and Lens are field cuttable in 4" increments.
- Max run length in Series of 17'. Max total run length per power supply of 34'.
- 80 CRI+
- 50,000 hour LED life
- Low voltage 24VDC, Class 2
- Cool to the touch
- Suitable for wet locations
- Proven high quality
- 5 year warranty



Profile Dimensions

Dimensions for reference only



Technical information

All CCT
(with 110deg clear lens)

Lumen/ft	325 lum/ft
Watts/ft	3.1 W/ft
Efficacy	104 lum/W

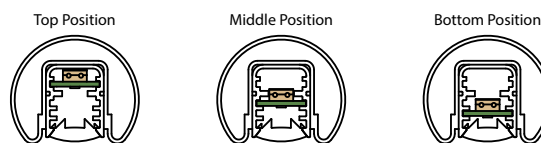
*Light transmission through F112S Frosted Lens is 70%

Dotting Chart

Output Options	Lens/Accessory							
	Frosted Lens				Clear Lens			
Dimming Level	100%	50%	10%	1%	100%	50%	10%	1%
Top Position (3000K)	CD	CD	CD	CD	CD	CD	CD	CD
Middle Position (3000K)	CD	CD	CD	CD	CD	CD	CD	CD
Bottom Position (3000K)	SD	SD	CD	CD	CD	CD	CD	CD



Frosted lens Represents the F112S Lens
 Clear lens represents the C060A, C065S, C110S lenses



Ordering code

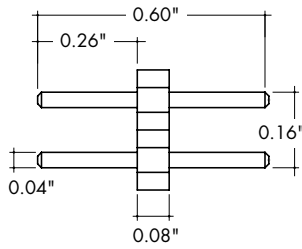
MODEL	LENGTH ¹	CCT	LENS	VERSION
HS - Handrail Lighting System	1 - 6 in 1' increments	W27 - 2700K W30 - 3000K W35 - 3500K W40 - 4000K W50 - 5000K W65 - 6500K	C060A - Clear, 60 Asymmetrical C065S - Clear, 65 Symmetrical C110S - Clear, 110 Symmetrical F112S - Frosted, 120 Symmetrical	01 - Version 1

¹ - Cap Rail Housing, LED Light Engine, and lens are field cuttable in 4" increments.

Accessories

HS-JMP02-01-01

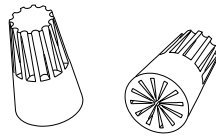
LED Jumper Pins



Used to connect LED Light Engines.

HS-KIT03-01-00

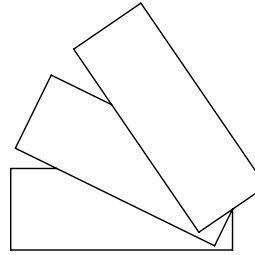
Weatherproof wirenuts



Weatherproof wire nuts, silicon filled. Pack of 10.

HS-SPC01-01-00

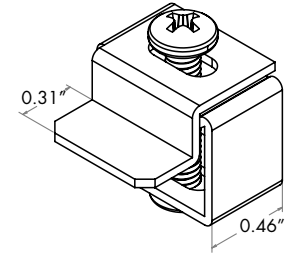
Mounting Shims



Use to shim and secure Cap Rail Housing to Handrail.

HS-KIT02-01-00

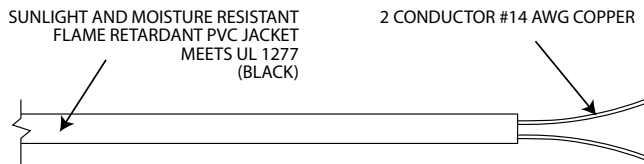
Cap Rail Housing Mounting Clip



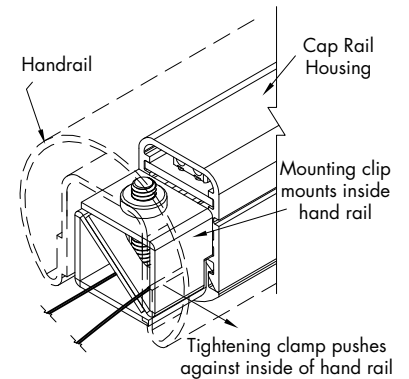
Used to secure the Cap Rail Housing to the Handrail.

HS-STW01-050-00

50' of 14 Gauge, 2 conductor wire for 24VDC



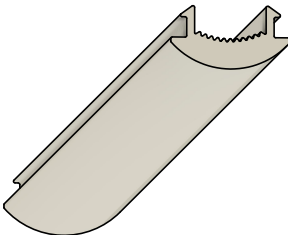
Note:
 • **All accessories to be ordered separately.**



REPLACEMENT COMPONENTS

HS-LNS01-XXXX

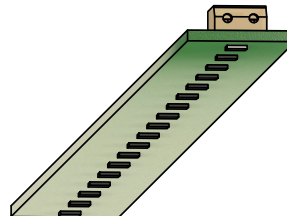
6' Lens Extrusion



-SUFFIX	LENS
-C060A	60° Asymmetric
-C110S	110° Symmetric
-C065S	65° Symmetric
-F112S	Frosted 120° Symmetric

HS-WHT24-XX-01

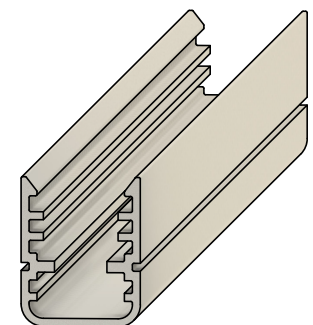
1' LED Light Board



-XX	CCT
-27	2700K
-30	3000K
-35	3500K
-40	4000K
-50	5000K
-65	6500K

HS-HSG01-00

6' piece of Cap Rail Housing

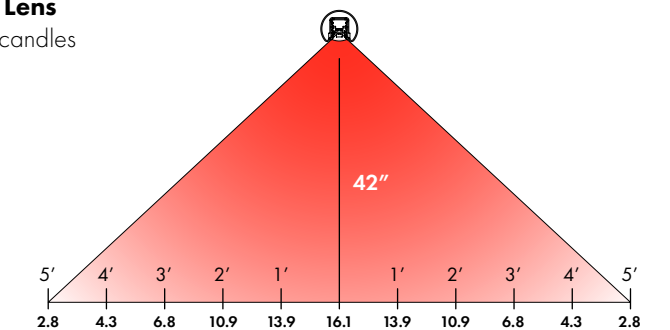
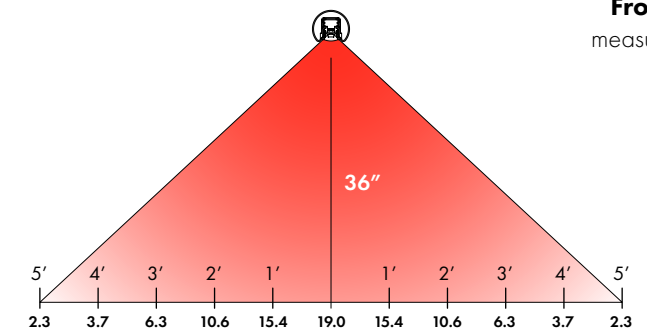
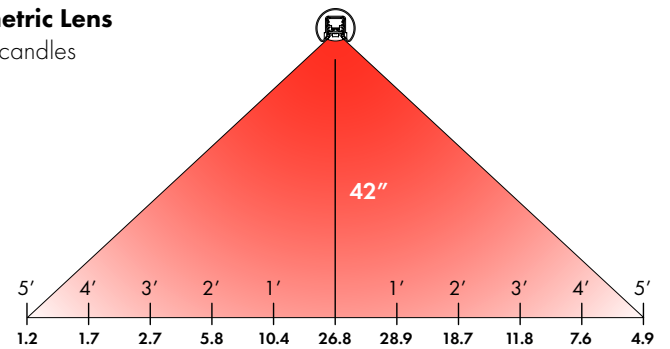
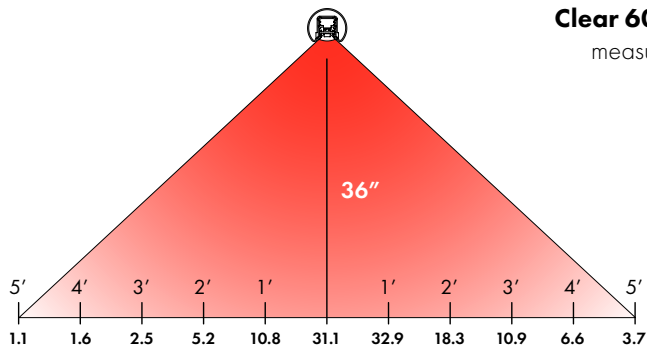
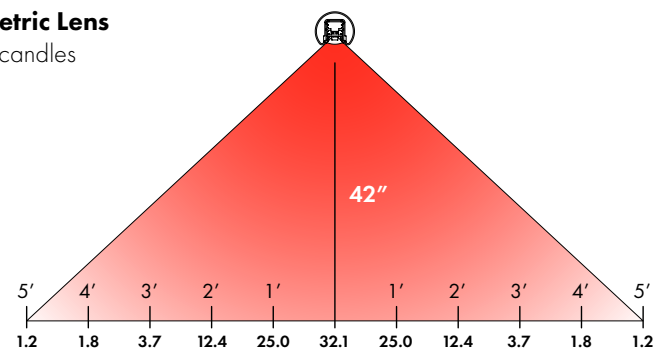
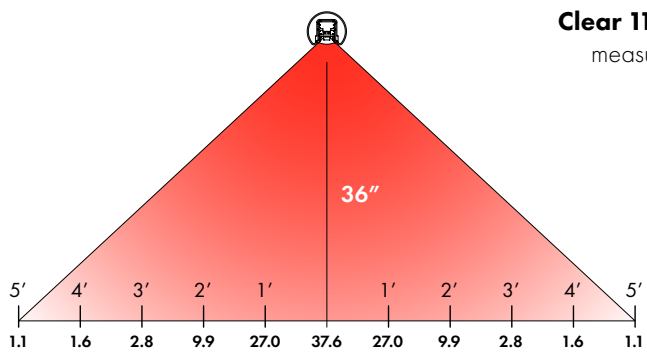
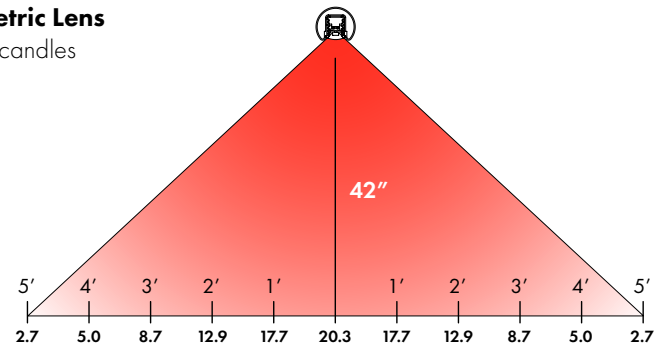
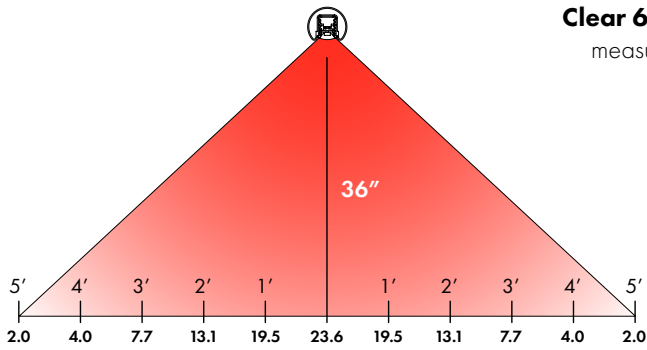


**C.R. Laurence
Handrail Sizes**
(for reference)

	GR16	GR20	GR25	GR30	GR35	GR40
Diameter " (mm)	1.66" (42.2mm)	2.0" (50.8mm)	2.5" (63.5mm)	3.0" (76.2mm)	3.5" (88.9mm)	4.0" (101.6mm)

*Contact C.R. Laurence for Handrails

Performance and Beam Spread



Handrail | Power Consumption Per Fixture Length

Nominal Length (feet)	W/ft	Watts (single run in series)
1	2.88	2.9
2	2.87	5.7
3	2.86	8.6
4	2.86	11.4
5	2.85	14.3
6	2.85	17.1
7	2.84	19.9
8	2.82	22.6
9	2.81	25.3
10	2.79	27.9
11	2.78	30.6
12	2.76	33.1
13	2.74	35.6
14	2.72	38.1
15	2.71	40.7
16	2.70	43.1
17	2.69	45.7

Specification / Bidding / Field Measurements / Installation

For a smooth, predictable process and a high quality outcome, you need:

- a) a high quality light source (iLight)
- b) a high quality hardware system (C.R. Laurence)
- c) an experienced electrical contractor, and
- d) an experienced handrail installer (e.g. ornamental ironworker, metal shop, glazing company).

A bundled illuminated handrail system (lighting and hardware together) conflicts with how the trades like to do business. If an EC does not provide the lighting, they won't warrant it. And if a handrail installer does not provide the hardware, they won't warrant that. And neither trade wants to purchase material for the other trade.

That's why many general contractors demand that the handrail installer provides the hardware and the electrical contractor provides the lighting. This makes iLight the ideal solution: electrical contractors and handrail installers have been working together for over 10 years to successfully install the iLight Handrail Lighting System on compatible C.R. Laurence handrails.

Phase	Hardware for Handrail	Light Source for Handrail
<p>Specification</p>	<p>C.R. Laurence ("CRL") handrail hardware model compatible with iLight Handrail Lighting System, including CRL Cap Rail models:</p> <ul style="list-style-type: none"> • GR16 (diameter: 1.66", 42.2mm) • GR20 (diameter: 2.0", 50.8mm) • GR25 (diameter: 2.5", 63.5mm) • GR30 (diameter: 3.0", 76.2mm) • GR35 (diameter: 3.5", 88.9mm) • GR40 (diameter: 4.0", 101.6mm) <p>or custom CRL hardware designed to meet the specifications of the iLight Handrail Lighting System. Specification in the "Metals" division.</p> <p>Please cross reference the iLight Handrail Lighting System specification.</p>	<p>iLight Handrail Lighting System Specification in the lighting section of the "Electrical" division.</p> <ul style="list-style-type: none"> • 2700K (325 lumens* / foot) • 3000K (325 lumens* / foot) • 3500K (325 lumens* / foot) • 4000K (325 lumens* / foot) • 6500K (325 lumens* / foot) <p>(* Lumen data based on actual light output of luminaire, not the higher output of the "raw" LEDs. Measured with 60° asymmetrical lens.)</p> <p>Beam Spread Options</p> <ul style="list-style-type: none"> • Clear 60° asymmetrical • Clear 65° symmetrical • Clear 110° symmetrical • Frosted 120° symmetrical <p>Please cross reference the handrail hardware specification.</p>
<p>Bidding</p>	<p>Handrail Installer bids the hardware</p>	<p>Electrical Contractor bids the light source</p>
<p>Field Measurements</p>	<p>Handrail Installer</p>	<p>Not Required</p> <p>Small variations from plan to actual would not significantly change costs for the iLight Handrail Lighting System.</p> <ul style="list-style-type: none"> • iLight light engine comes in 1-foot sections, cuttable every 4 inches • Housing & lens come in 6-foot sections and are field cuttable • Up to 34 feet per power supply; (two 17-foot runs)
<p>Installation</p>	<p>Handrail Installer</p>	<p>Electrical Contractor</p>

Power Supplies

See Power Supply instructions and spec sheet for wiring information. For a complete list of compatible dimmers, see Compatible Dimming Chart on the Resources page.

Ordering Code Universal Dimming Power Supplies 1% 120VAC - 277VAC

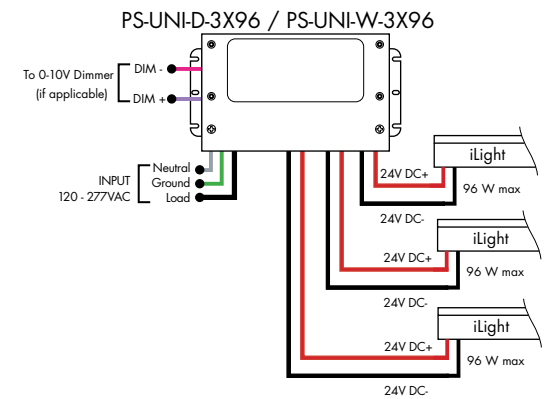
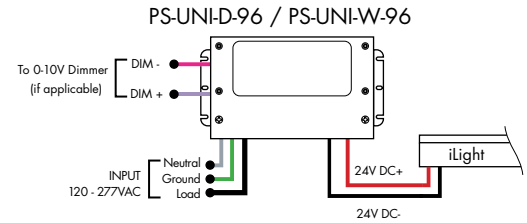
MODEL	INPUT CONTROL	ENVIRONMENT	WATTAGE	OUTPUT
PS-Power Supply, 120-277VAC	UNI-0-10V Dimming, Phase Dimming	D-Dry W-Wet	30-30 Watts 60-60 Watts 96-96 Watts 3x96-3x96 Watts	24-24 VDC

Compatibility: View a complete list of compatible dimmers on product page ([Link](#))

0-10V - 1% dimming
MLV/ELV/TRIAC - 1% dimming, consult dimming compatibility chart

MODELS	PS-UNI-W-30W	PS-UNI-W-60W	PS-UNI-W-96W	PS-UNI-W-3X96W
Length	6.50"	7.40"	8.66"	11.85"
Width	3.73"	3.73"	3.73"	4.32"
Depth	1.61"	1.61"	1.61"	1.81"

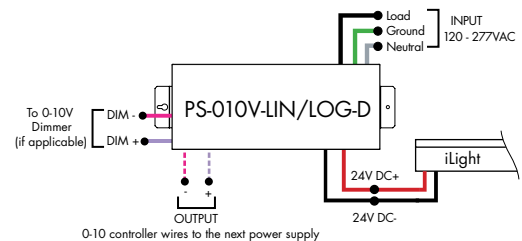
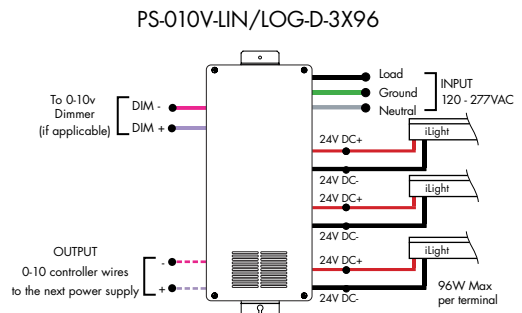
MODELS	PS-UNI-D-30W	PS-UNI-D-60W	PS-UNI-D-96W	PS-UNI-D-3X96W
Length	8.77"	8.77"	8.11"	9.94"
Width	4.27"	4.27"	5.60"	7.61"
Depth	1.83"	1.83"	1.83"	2.02"



Ordering Code 0-10V Dimming Power Supplies 0.1% 120VAC - 277VAC

MODEL	INPUT CONTROL	ENVIRONMENT	WATTAGE	OUTPUT
PS-Power Supply, 120-277VAC	010V-LIN-0-10V Dimming (0.1%), Linear 010V-LOG-0-10V Dimming (0.1%), Logarithmic	D-Dry	96-96 Watts 3X96-3x96 Watts	24-24 VDC

MODELS	96W	3X96
Length	14.40"	15.00"
Width	5.20"	6.62"
Depth	2.60"	4.45"



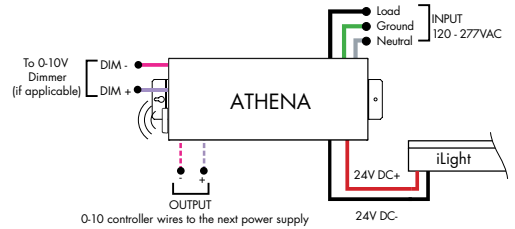
Power Supplies

See Power Supply instructions and spec sheet for wiring information. For a complete list of compatible dimmers, see Compatible Dimming Chart on the Resources page.

Athena 0-10V LED Driver

MODEL	INPUT CONTROL	ENVIRONMENT	WATTAGE	OUTPUT	FEATURE
PS-Power Supply, 120-277VAC	010V-LIN-0-10V Dimming, Linear 010V-LOG 0-10V Dimming, Logarithmic	D-Dry	96-96 W	24-24 VDC	AWN-R-Athena

MODELS	96W
Length	14.40"
Width	5.20"
Depth	2.60"

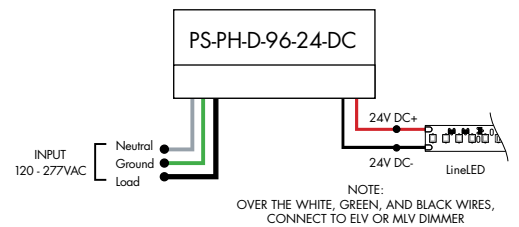


Ordering Code Phase Dimming Power Supply 1% 120VAC - 277VAC

MODEL	INPUT CONTROL	ENVIRONMENT	WATTAGE	OUTPUT	OUTPUT CONTROL
PS-Power Supply, 120-277VAC	PH-Phase Dimming (Triac, ELV, MLV)	D-Dry	96-96 Watts	24-24 VDC	DC-Direct Current

MLV/ELV/TRIAC - 1% dimming, consult dimming compatibility chart ([Link](#))

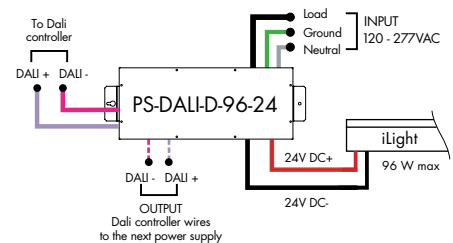
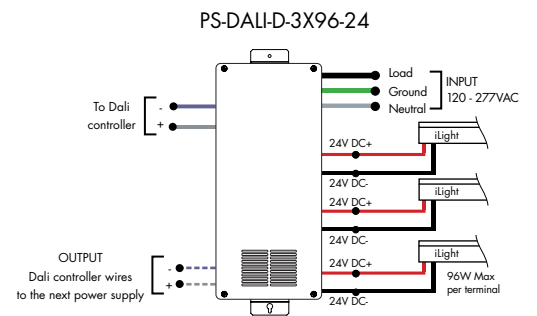
MODELS	96W
Length	8.25"
Width	4.10"
Depth	1.56"



Ordering Code DALI Dimming Power Supplies 0.1% 120VAC - 277VAC

MODEL	INPUT CONTROL	ENVIRONMENT	WATTAGE	OUTPUT
PS-Power Supply, 120-277VAC	DALI-DALI (0.1%)	D-Dry	96-96 Watts 3X96-3X96 Watts	24-24 VDC

Model	96W	3X96
Length	14.40"	15.00"
Width	5.20"	6.62"
Depth	2.60"	4.56"



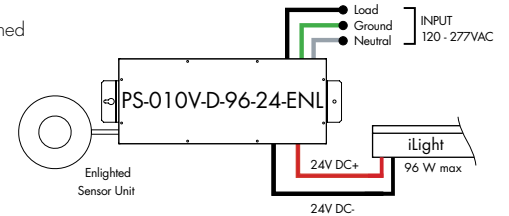
Power Supplies

See Power Supply instructions and spec sheet for wiring information. For a complete list of compatible dimmers, see Compatible Dimming Chart on the Resources page.

Ordering Code Enlighted Enabled Dimming Power Supplies 1% 120VAC - 277VAC

MODEL	INPUT CONTROL	ENVIRONMENT	WATTAGE	OUTPUT	FEATURE
PS-Power Supply, 120-277VAC	010V-0-10V Dimming (1%)	D-Dry	96-96 Watts	24-24 VDC	ENL-0-10V Enlightened

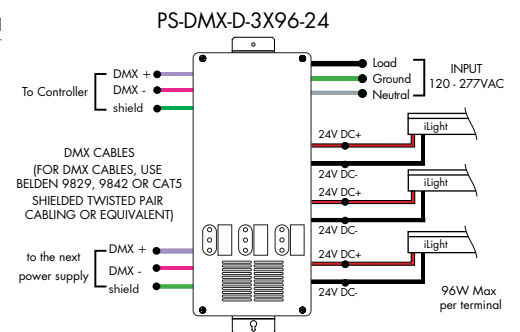
Model	96W
Length	14.40"
Width	5.20"
Depth	2.60"



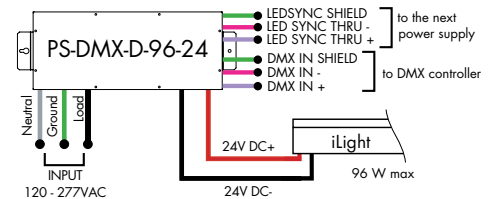
Ordering Code DMX Dimming Power Supplies 0.1% 120VAC - 277VAC Requires Zonal Control

MODEL	INPUT CONTROL	ENVIRONMENT	WATTAGE	OUTPUT
PS-Power Supply, 120-277VAC	DMX-DMX (0.1%)	D-Dry	96-96 Watts 3X96-3X96 Watts	24-24 VDC

MODELS	96W	3X96
Length	14.40"	15.00"
Width	5.20"	6.62"
Depth	2.60"	4.56"



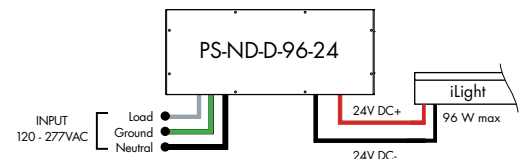
DMX CABLES
(FOR DMX CABLES, USE BELDEN 9829, 9842 OR CAT5 SHIELDED TWISTED PAIR CABLING OR EQUIVALENT)



Ordering Code Non-Dimming Power Supply 120VAC - 277VAC

MODEL	INPUT CONTROL	ENVIRONMENT	WATTAGE	OUTPUT
PS-Power Supply, 120-277VAC	ND-Non Dimming	D-Dry	96-96 Watts	24-24 VDC

MODELS	96W
Length	14.40"
Width	5.20"
Depth	2.60"

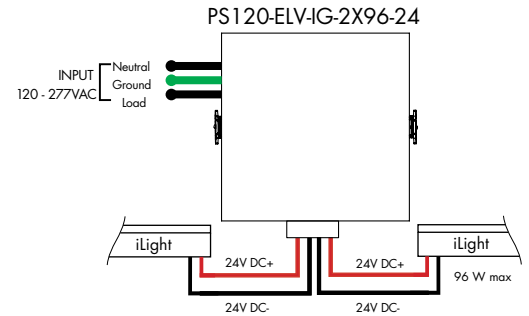


Power Supplies

See Power Supply instructions and spec sheet for wiring information. For a complete list of compatible dimmers, see Compatible Dimming Chart on the Resources page.

Ordering Code In-Ground Power Supplies

MODEL	INPUT CONTROL	ENVIRONMENT	WATTAGE	OUTPUT
PS120-Power Supply, 120VAC PS240-Power Supply, 240VAC PS277-Power Supply, 277VAC	ELV-ELV Dimming (1%)	IG-In Ground	2X96-2X96 Watts	24-24 VDC



MODELS	2X96W
Length	8.40"
Width	8.30"
Depth	8.10"

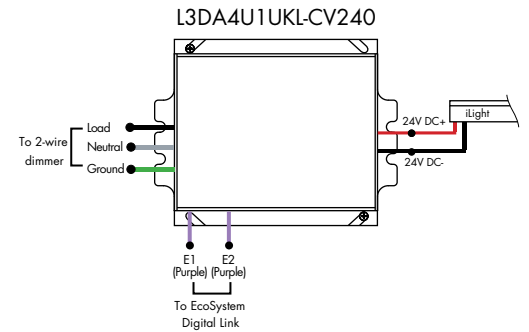
Luminii is a Lutron OEM Advantage Partner
Lutron Power Supplies 1%

MODEL

L3DA4U1UKL-CV240

HiLume™ 1% EcoSystem Voltage LED driver
40W max

MODELS	L3DA4U1UKL-CV240
Length	4.98"
Width	4.00"
Depth	2.62"



Luminii is a Lutron OEM Advantage Partner
Lutron Power Supplies 0.1%

MODEL

L3D0-96W24V-U

HiLume™ 0.1% EcoSystem Voltage LED Driver with Soft-On, Fade-to-Black™
96W max

MODELS	L3D0
Length	10.50"
Width	5.50"
Depth	2.00"

