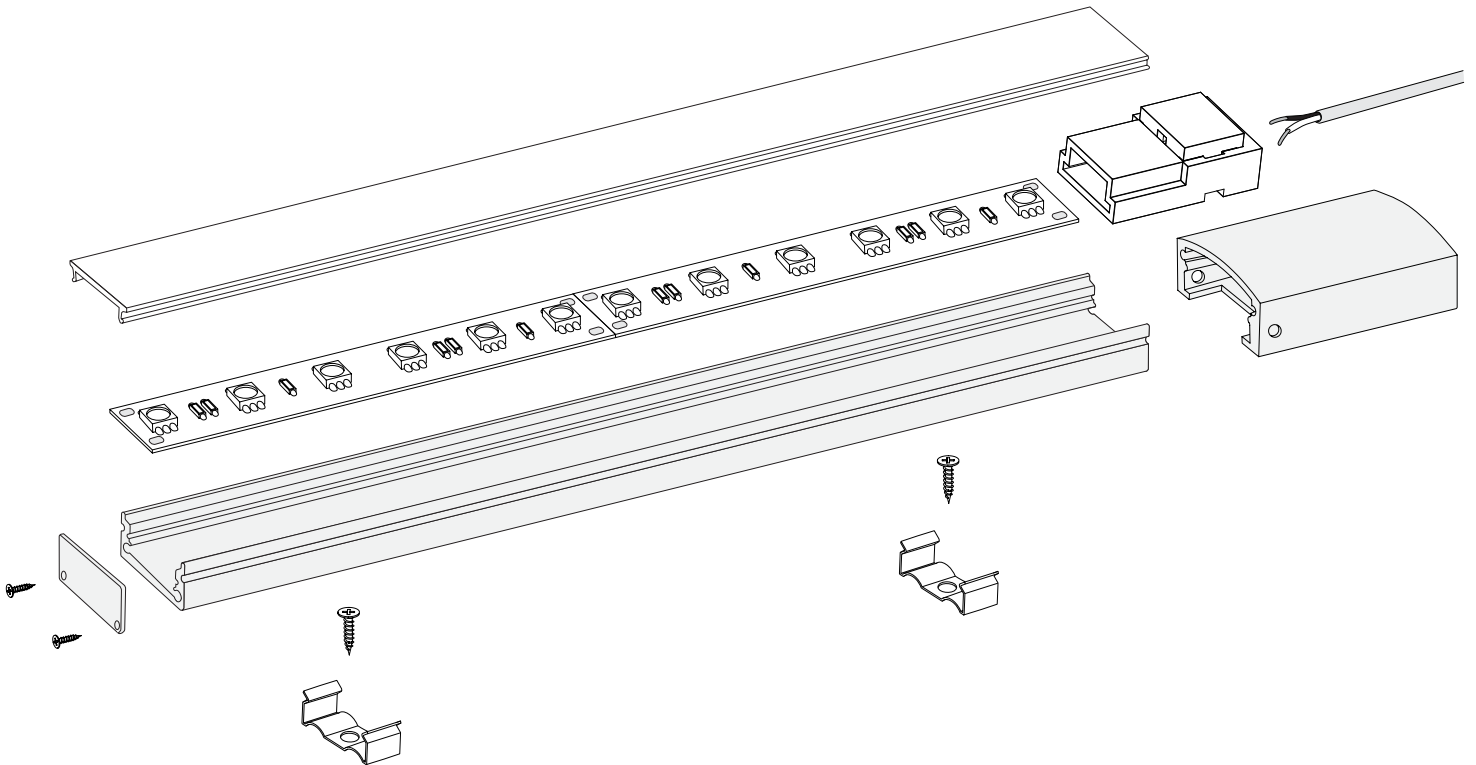


**Please read complete instruction prior to installation  
and keep for future reference!**



**Notes:**

- 1. LED strips must be installed indoor only. Installing outdoors will void the warranty.
- 2. Installation must be carried out by a licensed electrician & executed in accordance with local codes.
- 3. The installing contractor assumes all liability for the safety and code compliance of the installation.
- 4. Luminii is not liable caused by improper wiring, driver overloading, driver under-loading, power surges, poor system design or layout, negligence or other conditions.

**Instruction page index:**

Installation Directly to Mounting Surface with factory lead wire	2-3
Installation Directly to Mounting Surface using Flex Connect®	4-7
Installation with Surface Mounted Channel	8-11
Installation with Surface Mounted Channel using Flex Connect®	12-17
Wiring	18

# Installation Instructions for **Express** (Indoor only)



7777 Merrimac Ave  
Niles, IL 60714  
T 224.333.6033



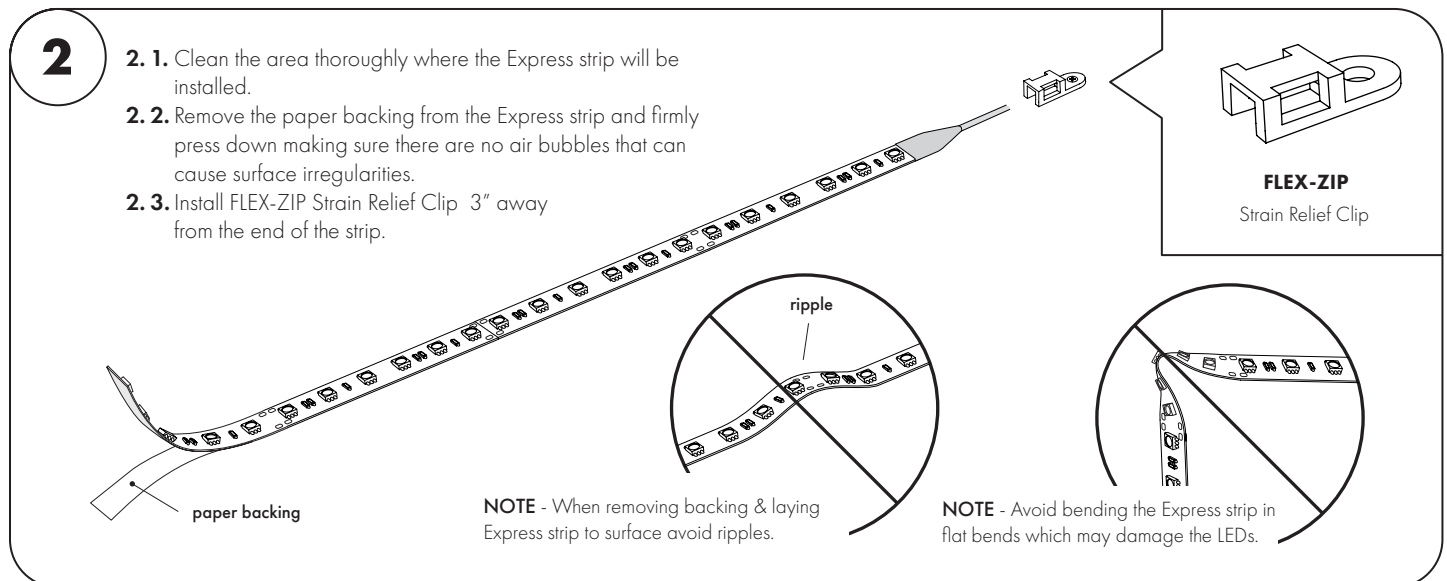
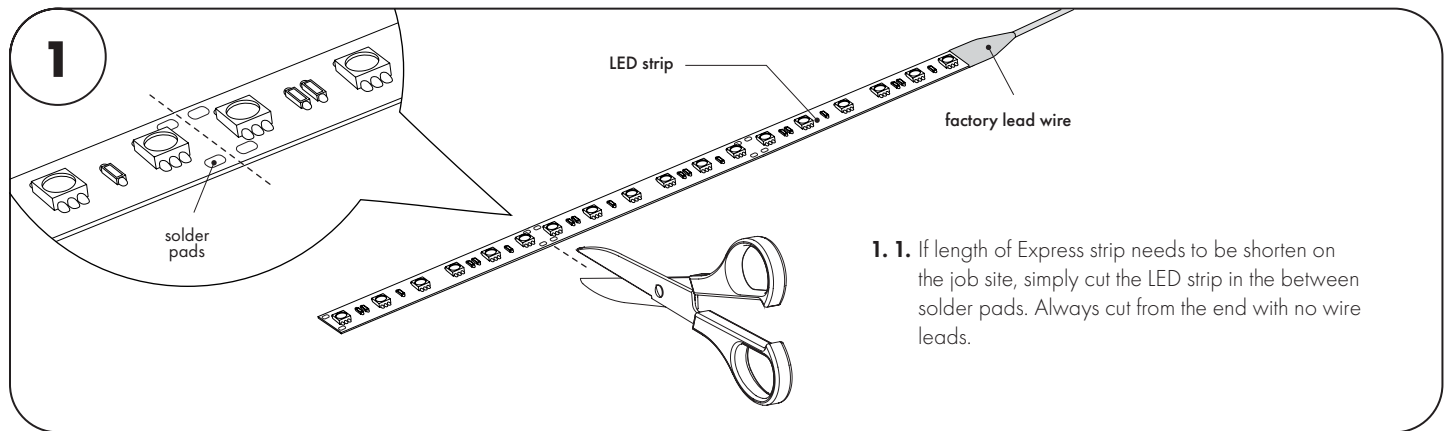
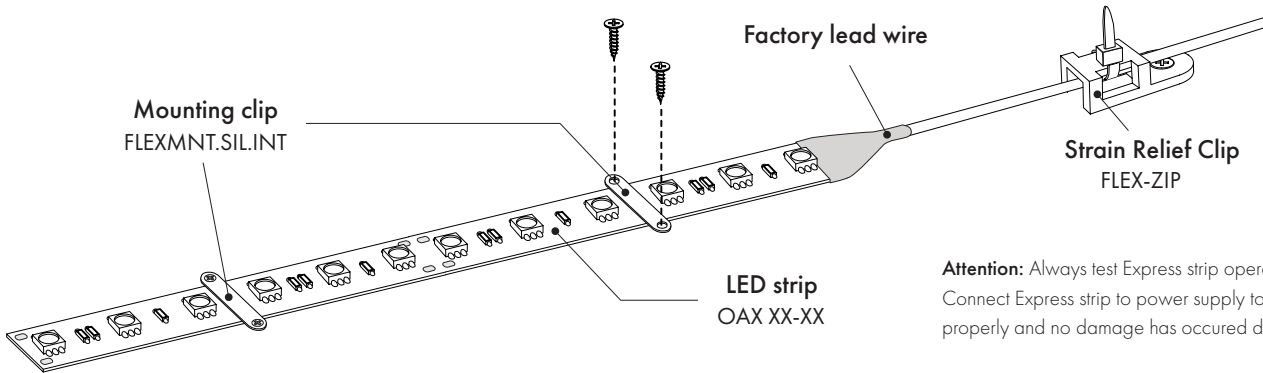
Page 2 of 14

www.luminii.com/express

## Please read complete instruction prior to installation and keep for future reference!

- LED strips must be installed indoor only. Installing outdoors will void the warranty.
- Installation must be carried out by a licensed electrician & executed in accordance with local codes.
- The installing contractor assumes all liability for the safety and code compliance of the installation.
- Luminii is not liable caused by improper wiring, driver overloading, driver under-loading, power surges, poor system design or layout, negligence or other conditions.

## Installation directly to mounting surface with factory lead wire



# Installation Instructions for **Express** (Indoor only)

## Please read complete instruction prior to installation and keep for future reference!

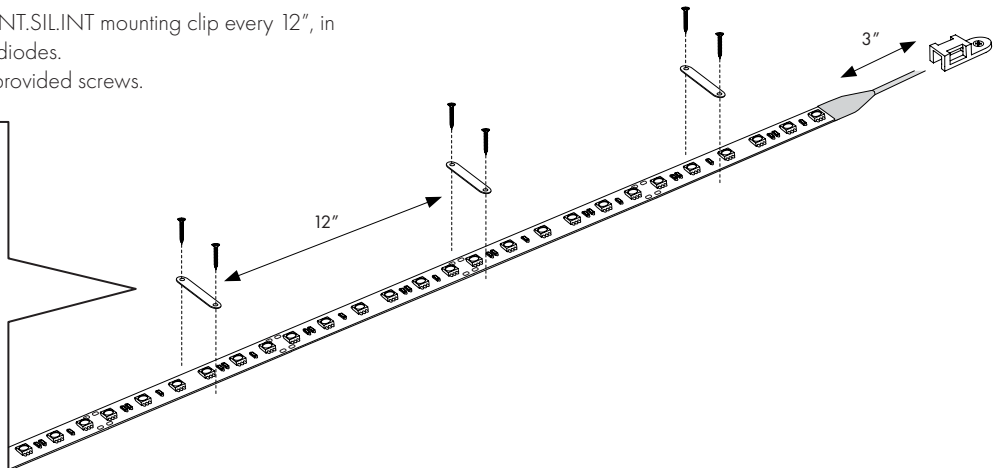
1. LED strips must be installed indoor only. Installing outdoors will void the warranty.
2. Installation must be carried out by a licensed electrician & executed in accordance with local codes.
3. The installing contractor assumes all liability for the safety and code compliance of the installation.
4. Luminii is not liable caused by improper wiring, driver overloading, driver under-loading, power surges, poor system design or layout, negligence or other conditions.

## Installation directly to mounting surface with factory lead wire

**3**

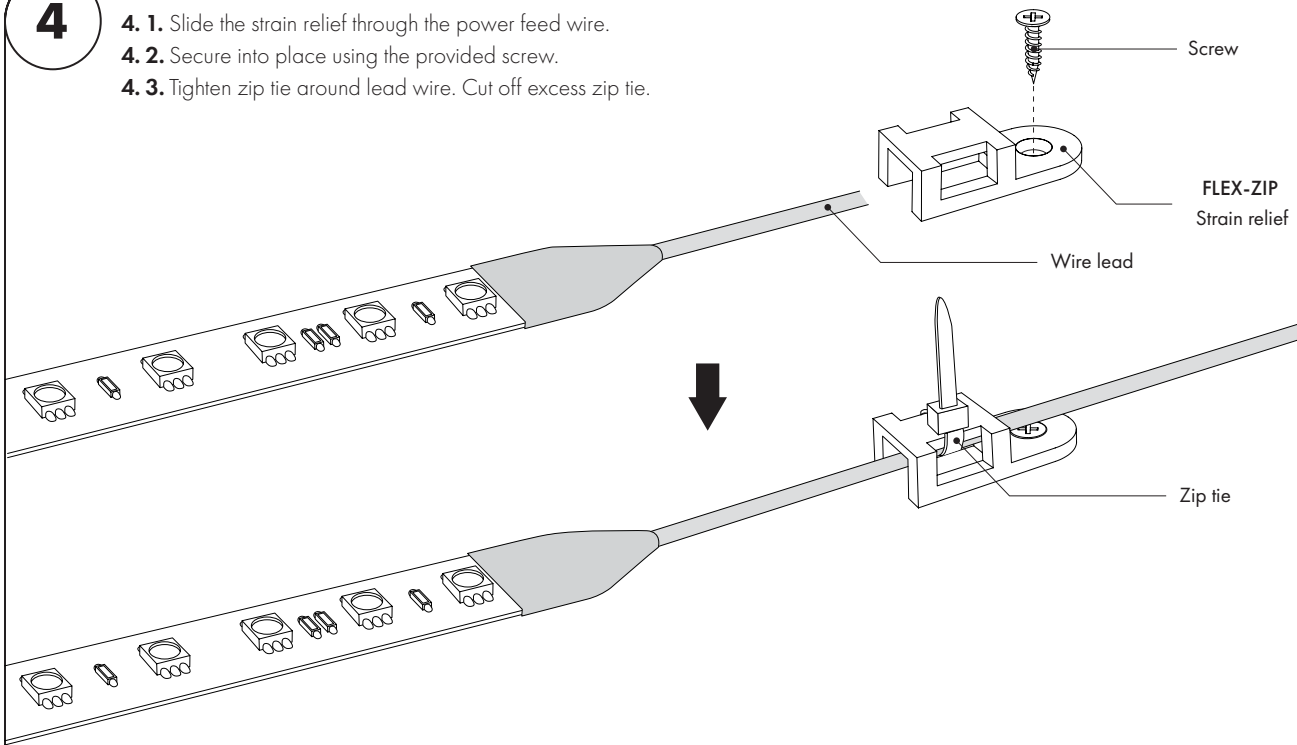
3. 1. Install one FLEXMNT.SIL.INT mounting clip every 12", in between the LED diodes.
3. 2. Secure using the provided screws.

Note: Recommended to be used when LineLED installed on textured or on a non-stick surface.



**4**

4. 1. Slide the strain relief through the power feed wire.
4. 2. Secure into place using the provided screw.
4. 3. Tighten zip tie around lead wire. Cut off excess zip tie.



# Installation Instructions for **Express** (Indoor only)



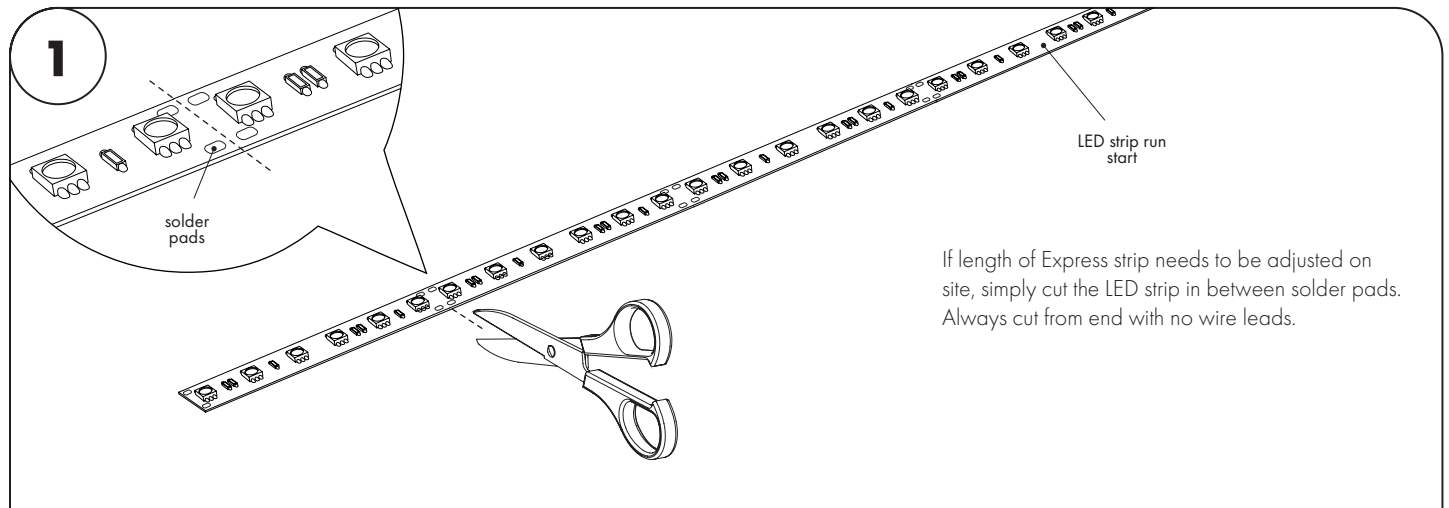
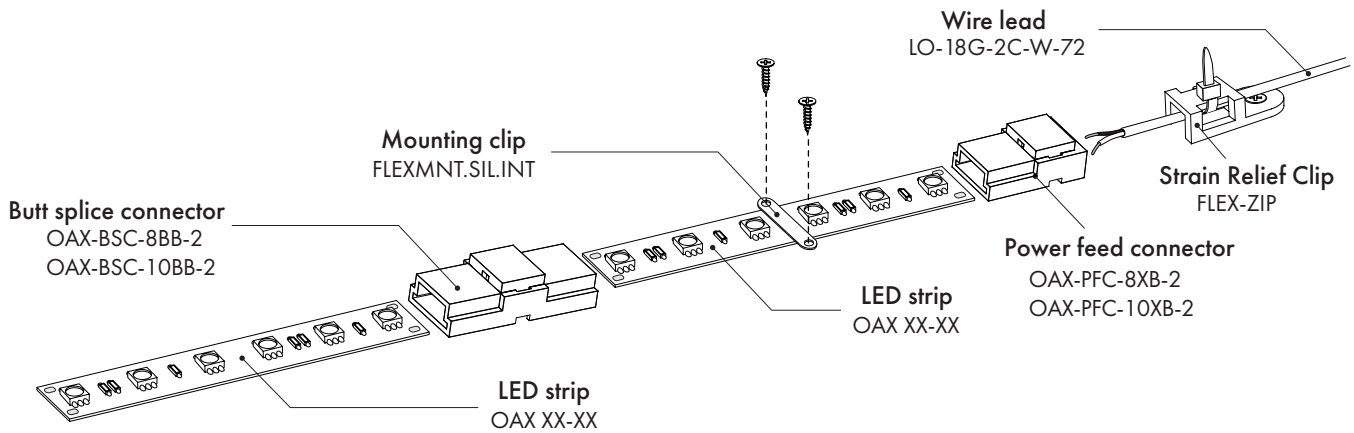
7777 Merrimac Ave  
Niles, IL 60714  
T 224.333.6033



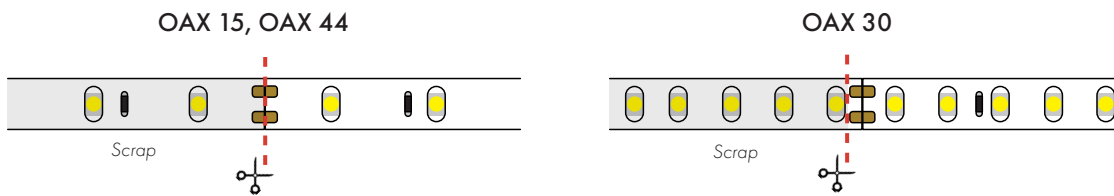
## Please read complete instruction prior to installation and keep for future reference!

1. LED strips must be installed indoor only. Installing outdoors will void the warranty.
2. Installation must be carried out by a licensed electrician & executed in accordance with local codes.
3. The installing contractor assumes all liability for the safety and code compliance of the installation.
4. Luminii is not liable caused by improper wiring, driver overloading, driver under-loading, power surges, poor system design or layout, negligence or other conditions.

## Installation Directly to Mounting Surface using Flex Connect™



OAX15 and OAX 44 must be cut exactly on the cutting marks printed on the boards. OAX30 must be cut grazing the edge of the solder pad in order to provide enough board for the FLEX Connect™ connector to attach to.



# Installation Instructions for Express (Indoor only)



7777 Merrimac Ave  
Niles, IL 60714  
T 224.333.6033



Page 5 of 14

[www.luminii.com/express](http://www.luminii.com/express)

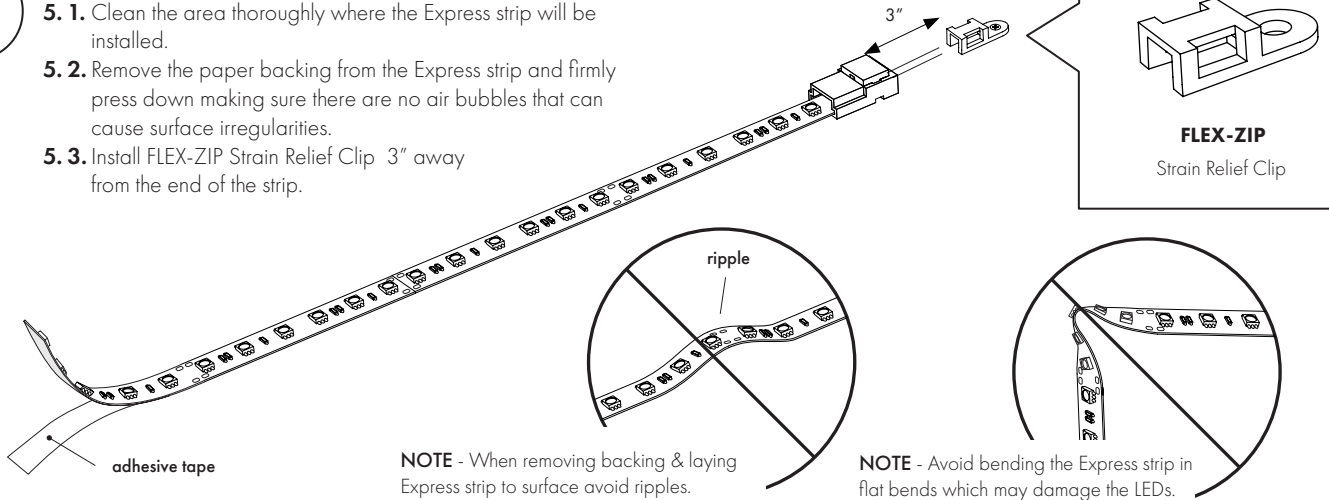
## Please read complete instruction prior to installation and keep for future reference!

1. LED strips must be installed indoor only. Installing outdoors will void the warranty.
2. Installation must be carried out by a licensed electrician & executed in accordance with local codes.
3. The installing contractor assumes all liability for the safety and code compliance of the installation.
4. Optic Arts by Luminii is not liable caused by improper wiring, driver overloading, driver under-loading, power surges, poor system design or layout, negligence or other conditions.

## Installation Directly to Mounting Surface using Flex Connect®

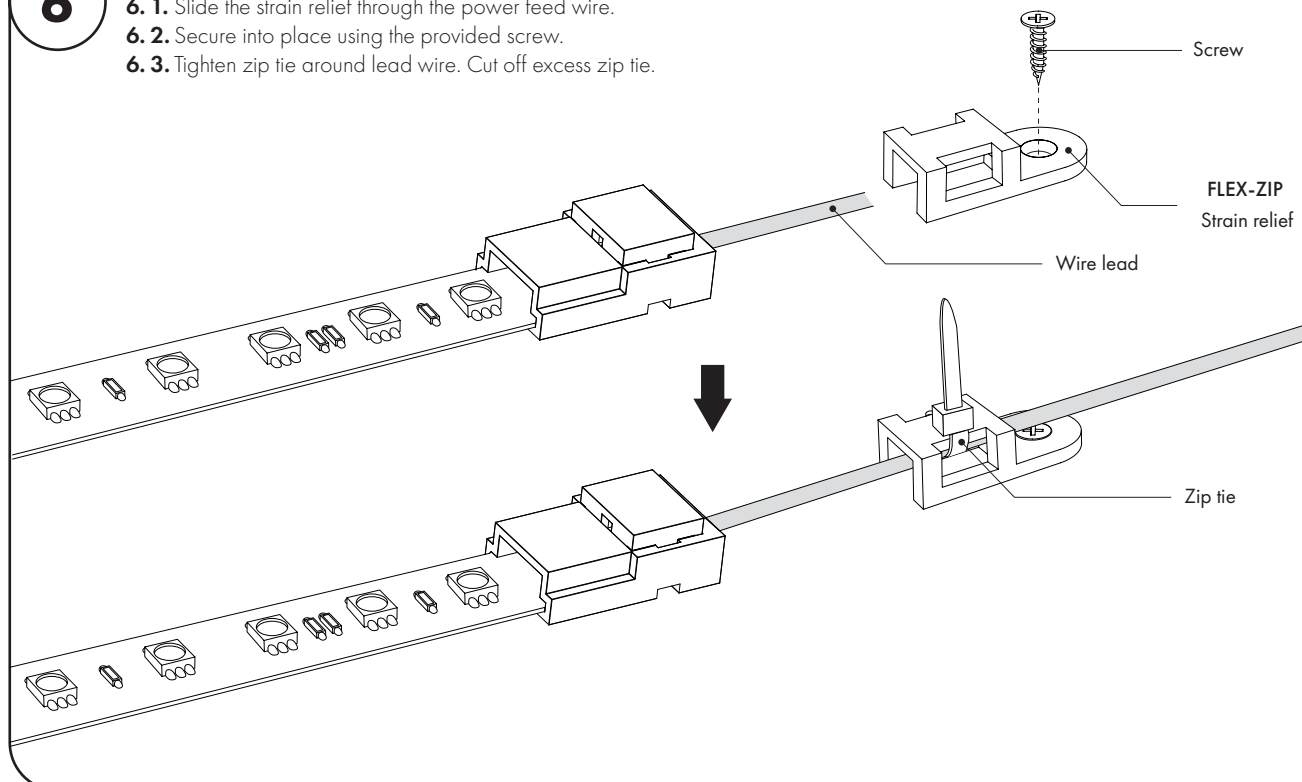
5

- 5.1. Clean the area thoroughly where the Express strip will be installed.
- 5.2. Remove the paper backing from the Express strip and firmly press down making sure there are no air bubbles that can cause surface irregularities.
- 5.3. Install FLEX-ZIP Strain Relief Clip 3" away from the end of the strip.



6

- 6.1. Slide the strain relief through the power feed wire.
- 6.2. Secure into place using the provided screw.
- 6.3. Tighten zip tie around lead wire. Cut off excess zip tie.



# Installation Instructions for **Express** (Indoor only)



7777 Merrimac Ave  
Niles, IL 60714  
T 224.333.6033



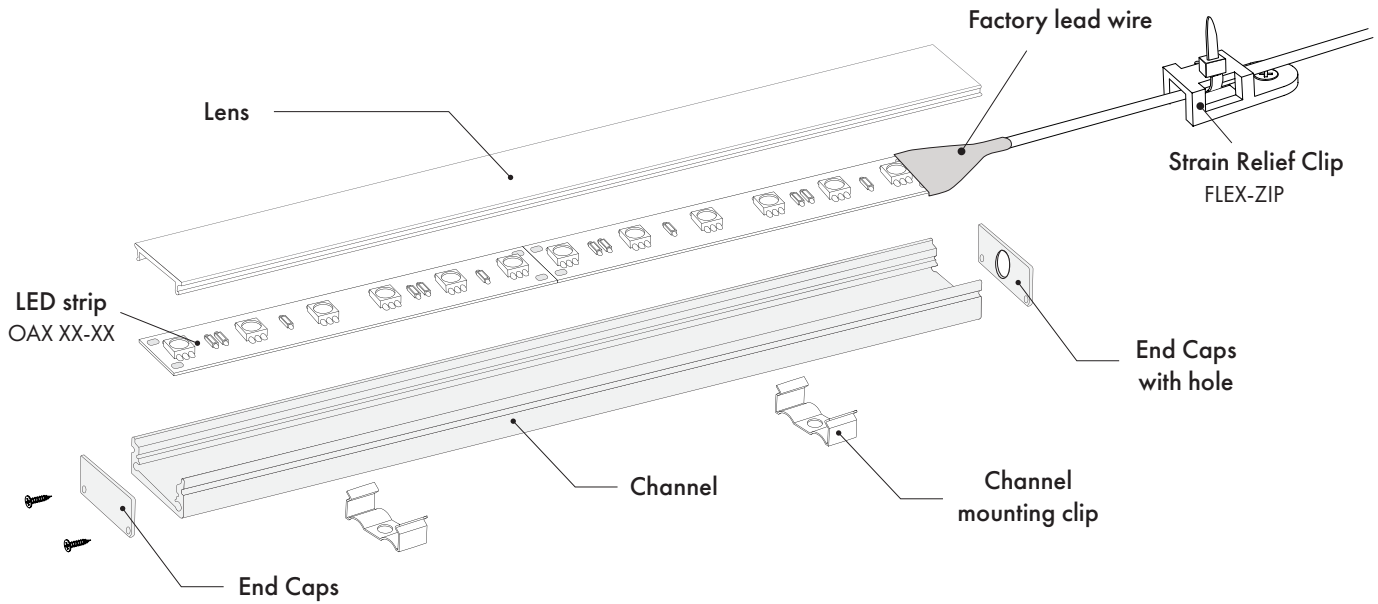
Page 6 of 14

[www.luminii.com/express](http://www.luminii.com/express)

## Please read complete instruction prior to installation and keep for future reference!

1. LED strips must be installed indoor only. Installing outdoors will void the warranty.
2. Installation must be carried out by a licensed electrician & executed in accordance with local codes.
3. The installing contractor assumes all liability for the safety and code compliance of the installation.
4. Optic Arts by Luminii is not liable caused by improper wiring, driver overloading, driver under-loading, power surges, poor system design or layout, negligence or other conditions.

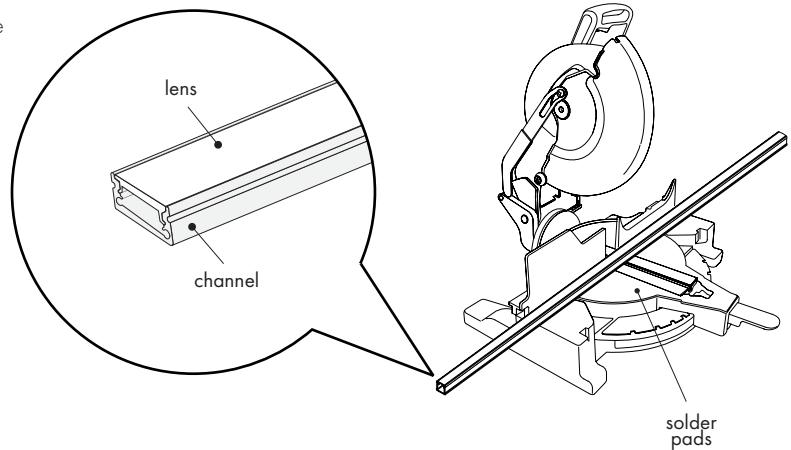
## Installation with Surface Mounted Channel



**1**

**1.1.** Extrusion & lens can be cut in the field. Using the proper blade for aluminum, cut to the desired length.

**Caution:** Safety equipment is recommended, when modifications are being made to the channel & lens.



# Installation Instructions for **Express** (Indoor only)



7777 Merrimac Ave  
Niles, IL 60714  
T 224.333.6033



Page 7 of 14

[www.luminii.com/express](http://www.luminii.com/express)

## Please read complete instruction prior to installation and keep for future reference!

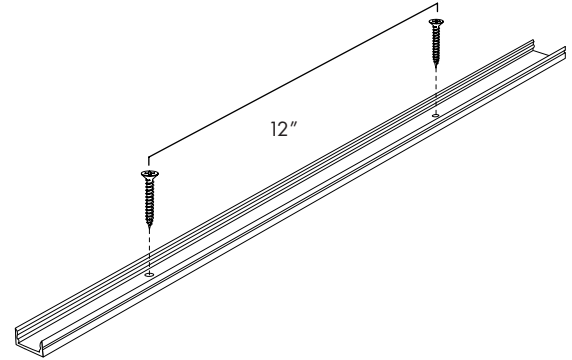
1. LED strips must be installed indoor only. Installing outdoors will void the warranty.
2. Installation must be carried out by a licensed electrician & executed in accordance with local codes.
3. The installing contractor assumes all liability for the safety and code compliance of the installation.
4. Optic Arts by Luminii is not liable caused by improper wiring, driver overloading, driver under-loading, power surges, poor system design or layout, negligence or other conditions.

## Installation with Surface Mounted Channel

2

### A) Channel without mounting clips:

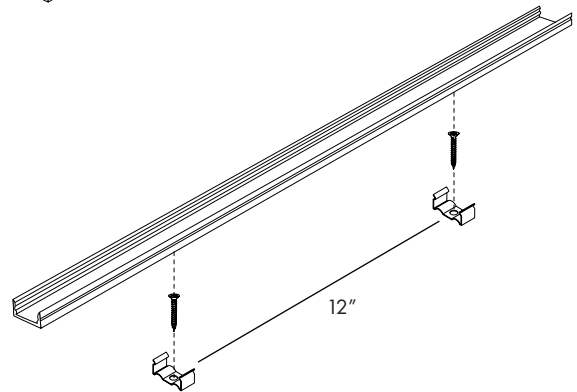
Drill countersunk holes through channel and install one screw every one foot (screw must be flush with inside bottom of channel).



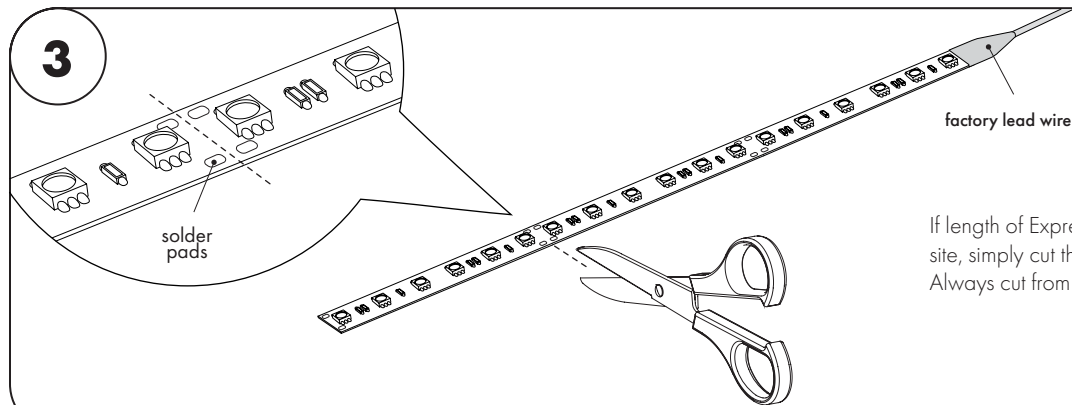
### B) Channel with mounting clips:

Install one clip every 12", by securing with screw(s) and then snap channel into clips.

- a) Join channels end to end if aligning multiple channels for longer runs.  
Use aligner bracket to join if applicable.



3



If length of Express strip needs to be adjusted on site, simply cut the LED strip in between solder pads. Always cut from end with no wire leads.

# Installation Instructions for **Express** (Indoor only)



7777 Merrimac Ave  
Niles, IL 60714  
T 224.333.6033



[www.luminii.com/express](http://www.luminii.com/express)

## Please read complete instruction prior to installation and keep for future reference!

1. LED strips must be installed indoor only. Installing outdoors will void the warranty.
2. Installation must be carried out by a licensed electrician & executed in accordance with local codes.
3. The installing contractor assumes all liability for the safety and code compliance of the installation.
4. Optic Arts by Luminii is not liable caused by improper wiring, driver overloading, driver under-loading, power surges, poor system design or layout, negligence or other conditions.



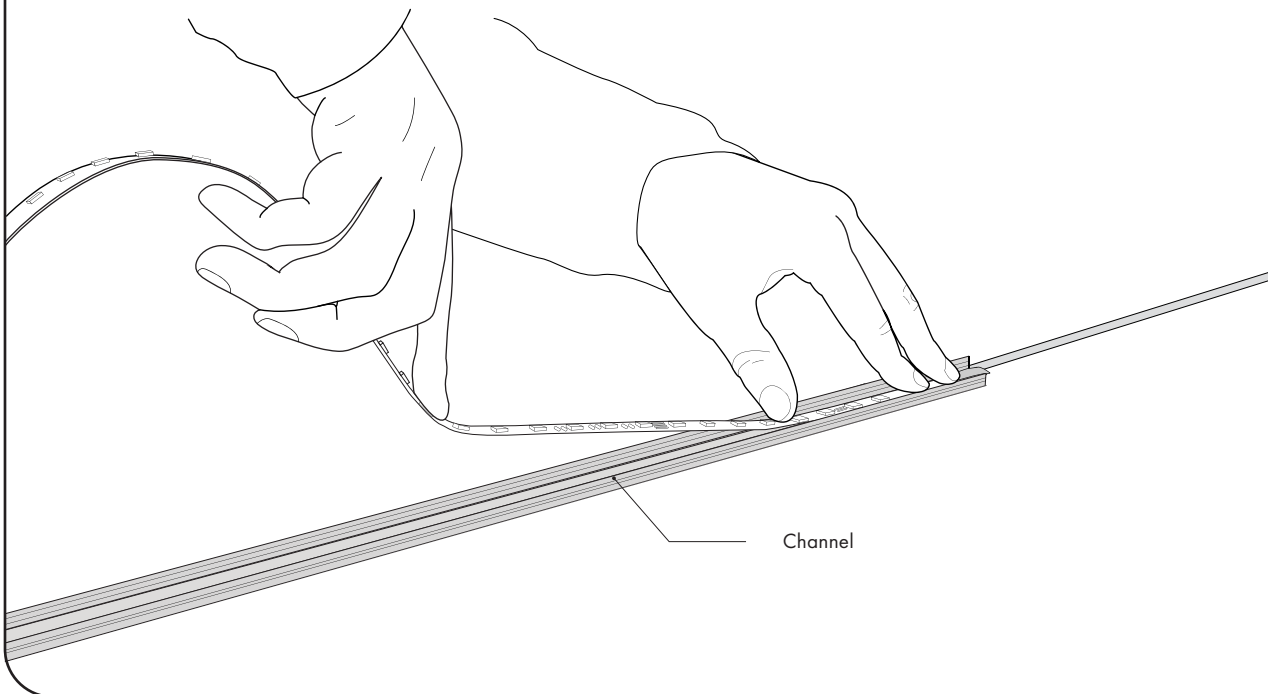
Page 8 of 14

## Installation with Surface Mounted Channel



4

- 4.1. Clean inside of aluminum channel using rubbing alcohol and allow to dry. Secure into place using the provided screw.
- 4.2. Remove backing from the back of the Express strip and install into channel, avoiding any bubbles, folds, or creases.



5

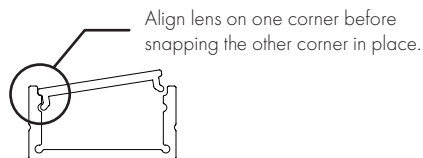
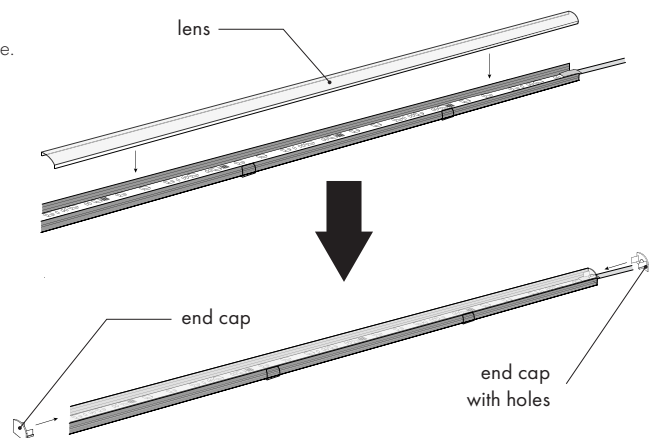


Figure A

- 5.1. Align lens starting at one corner (shown in figure A) and carefully snap the other corner in place. Once one corner is fully in place apply even pressure on both side of the lens to fit the remaining lens in place. If one side is sunken into channel realign lens otherwise the lens will not fit.
- 5.2. Install channel end caps, by either snapping on, or using the 2 provided screws.

1: If 0905C channel type is used slide lens in place.





# Installation Instructions for **Express** (Indoor only)



7777 Merrimac Ave  
Niles, IL 60714  
T 224.333.6033

**Please read complete instruction prior to installation and keep for future reference!**

1. LED strips must be installed indoor only. Installing outdoors will void the warranty.
2. Installation must be carried out by a licensed electrician & executed in accordance with local codes.
3. The installing contractor assumes all liability for the safety and code compliance of the installation.
4. Optic Arts by Luminii is not liable caused by improper wiring, driver overloading, driver under-loading, power surges, poor system design or layout, negligence or other conditions.



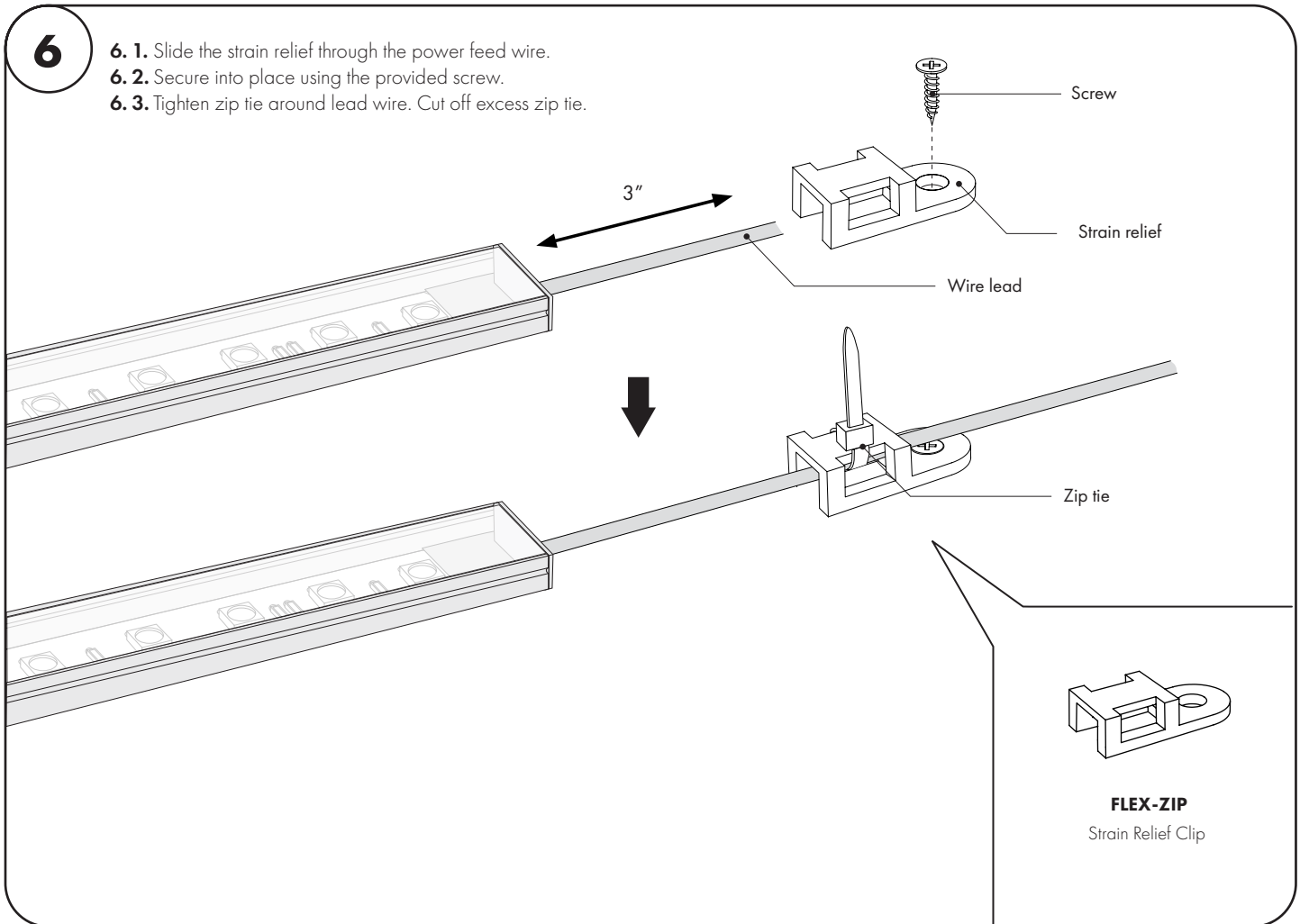
Page 9 of 14

[www.luminii.com/express](http://www.luminii.com/express)

## Installation with Surface Mounted Channel

6

6. 1. Slide the strain relief through the power feed wire.
6. 2. Secure into place using the provided screw.
6. 3. Tighten zip tie around lead wire. Cut off excess zip tie.



# Installation Instructions for **Express** (Indoor only)



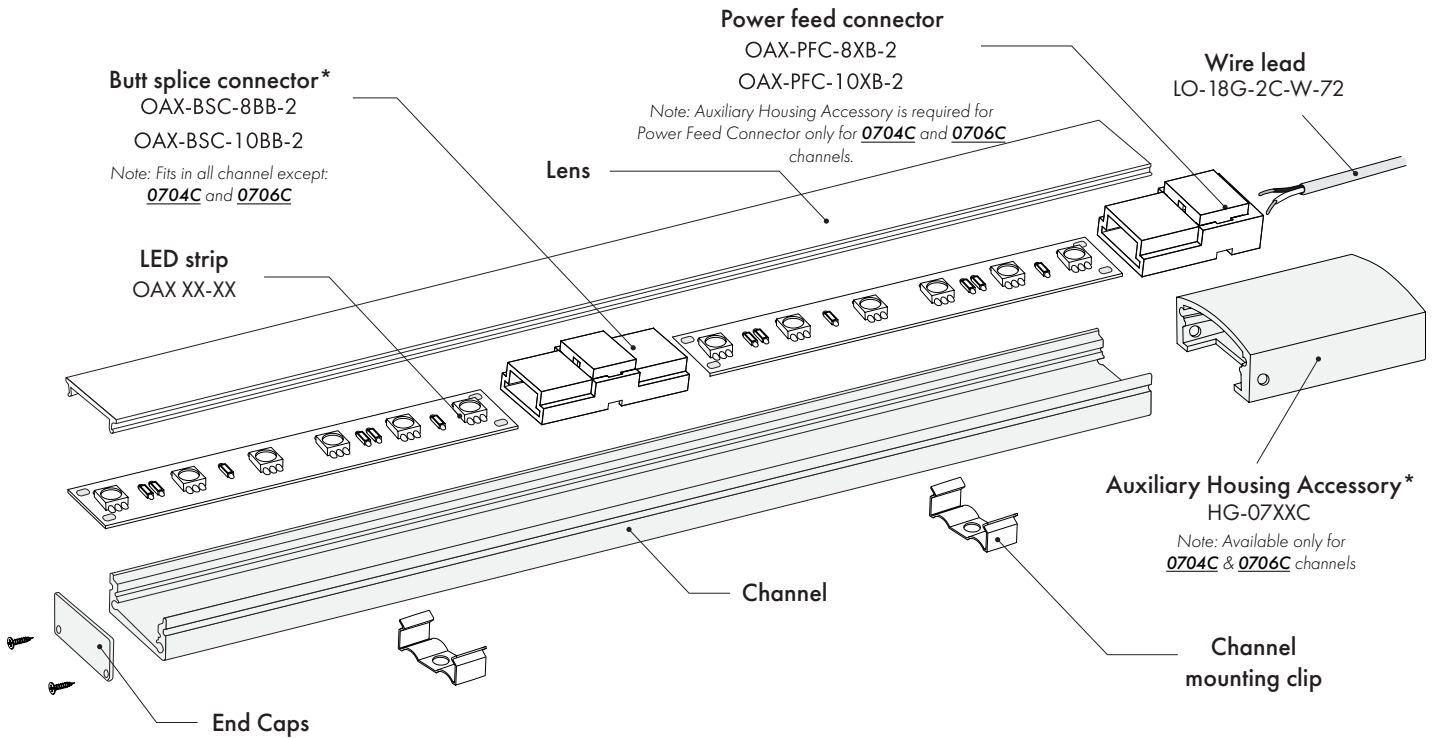
7777 Merrimac Ave  
Niles, IL 60714  
T 224.333.6033



## Please read complete instruction prior to installation and keep for future reference!

1. LED strips must be installed indoor only. Installing outdoors will void the warranty.
2. Installation must be carried out by a licensed electrician & executed in accordance with local codes.
3. The installing contractor assumes all liability for the safety and code compliance of the installation.
4. Optic Arts by Luminii is not liable caused by improper wiring, driver overloading, driver under-loading, power surges, poor system design or layout, negligence or other conditions.

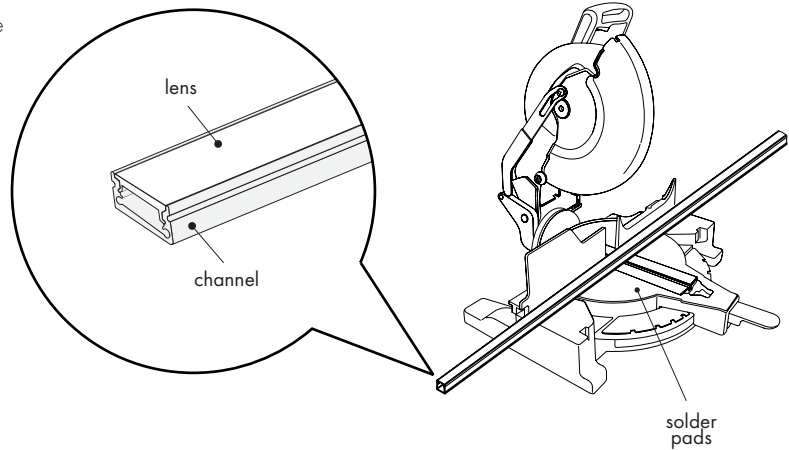
## Installation with Surface Mounted Channel using Flex Connect®



1

1.1. Extrusion & lens can be cut in the field. Using the proper blade for aluminum, cut to the desired length.

**Caution:** Safety equipment is recommended, when modifications are being made to the channel & lens.



# Installation Instructions for **Express** (Indoor only)



7777 Merrimac Ave  
Niles, IL 60714  
T 224.333.6033



Page 11 of 14

[www.luminii.com/express](http://www.luminii.com/express)

**Please read complete instruction prior to installation and keep for future reference!**

1. LED strips must be installed indoor only. Installing outdoors will void the warranty.
2. Installation must be carried out by a licensed electrician & executed in accordance with local codes.
3. The installing contractor assumes all liability for the safety and code compliance of the installation.
4. Optic Arts by Luminii is not liable caused by improper wiring, driver overloading, driver under-loading, power surges, poor system design or layout, negligence or other conditions.

## Installation with Surface Mounted Channel using Flex Connect®

**2**

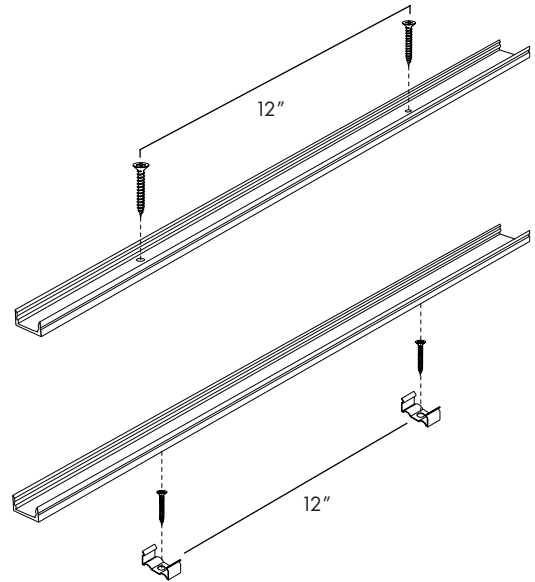
### A) Channel without mounting clips:

Drill countersunk holes through channel and install one screw every one foot (screw must be flush with inside bottom of channel).

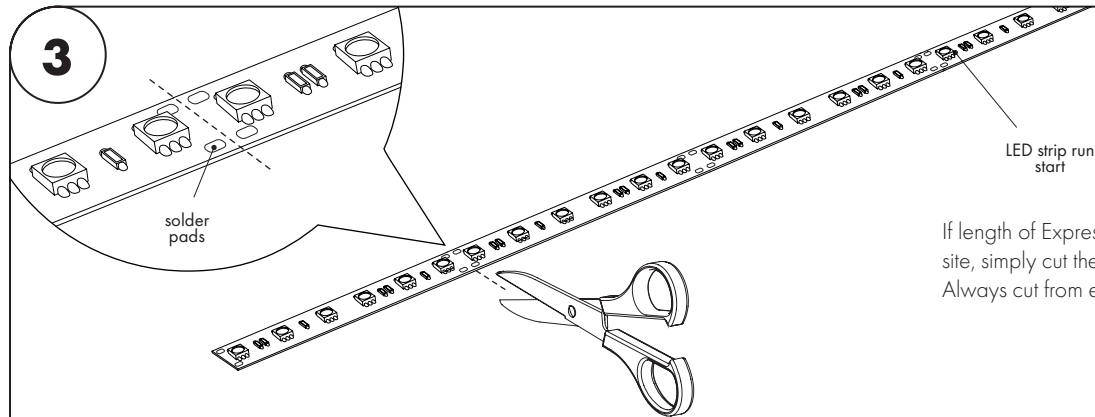
### B) Channel with mounting clips:

Install one clip every 12", by securing with screw(s) and then snap channel into clips.

a) Join channels end to end if aligning multiple channels for longer runs. Use aligner bracket to join if applicable.



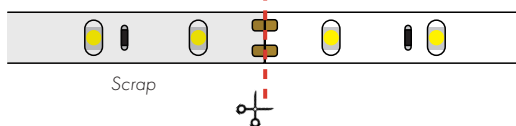
**3**



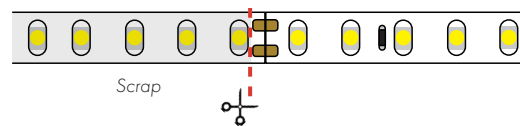
If length of Express strip needs to be adjusted on site, simply cut the LED strip in between solder pads. Always cut from end with no wire leads.

OAX15 and OAX 44 must be cut exactly on the cutting marks printed on the boards. OAX30 must be cut grazing the edge of the solder pad in order to provide enough board for the FLEX Connect® connector to attach to.

**OAX 15, OAX 44**



**OAX 30**



# Installation Instructions for **Express** (Indoor only)



7777 Merrimac Ave  
Niles, IL 60714  
T 224.333.6033

**Please read complete instruction prior to installation and keep for future reference!**

1. LED strips must be installed indoor only. Installing outdoors will void the warranty.
2. Installation must be carried out by a licensed electrician & executed in accordance with local codes.
3. The installing contractor assumes all liability for the safety and code compliance of the installation.
4. Optic Arts by Luminii is not liable caused by improper wiring, driver overloading, driver under-loading, power surges, poor system design or layout, negligence or other conditions.



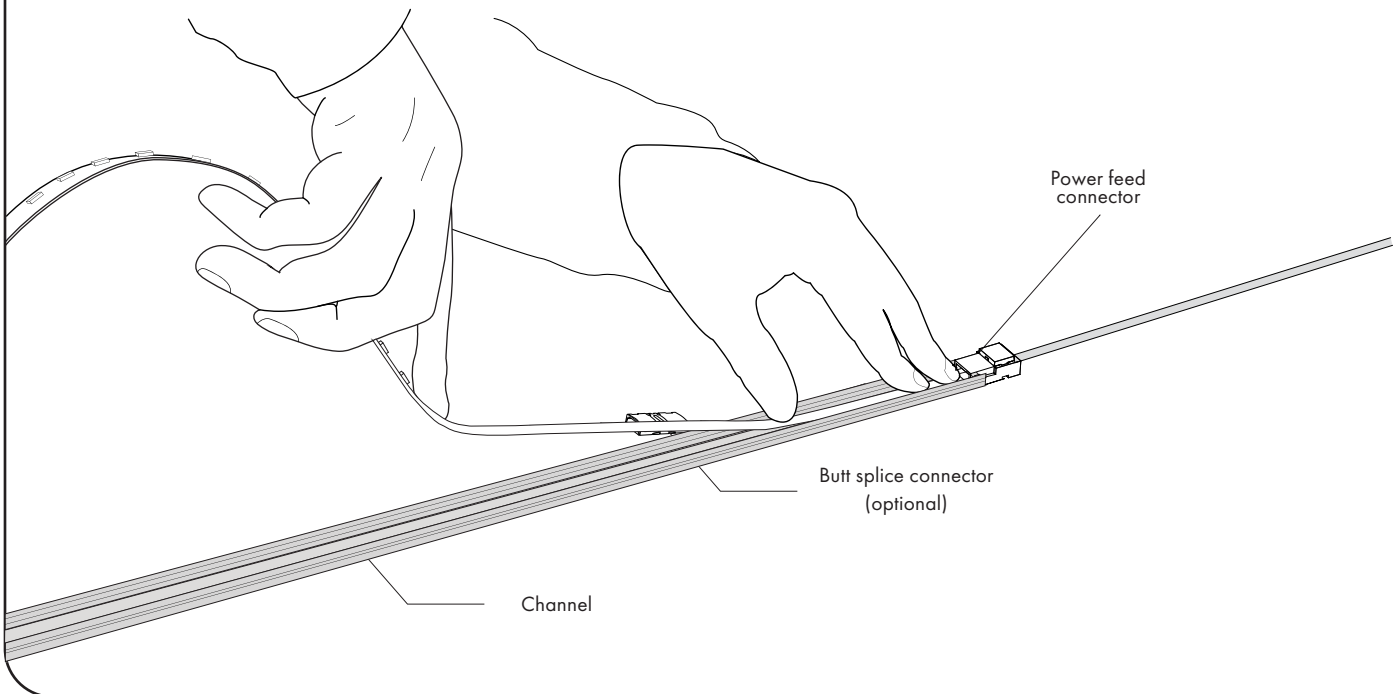
Page 12 of 14

[www.luminii.com/express](http://www.luminii.com/express)

## Installation with Surface Mounted Channel using Flex Connect®

6

- 6.1. Clean inside of aluminum channel using rubbing alcohol and allow to dry. Secure into place using the provided screw.
- 6.2. Remove Express strip backing from the back of the Express strip and install into channel, avoiding any bubbles, folds, or creases.



7

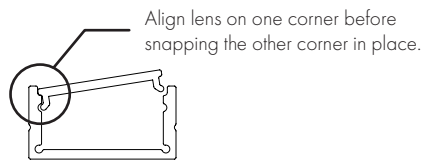
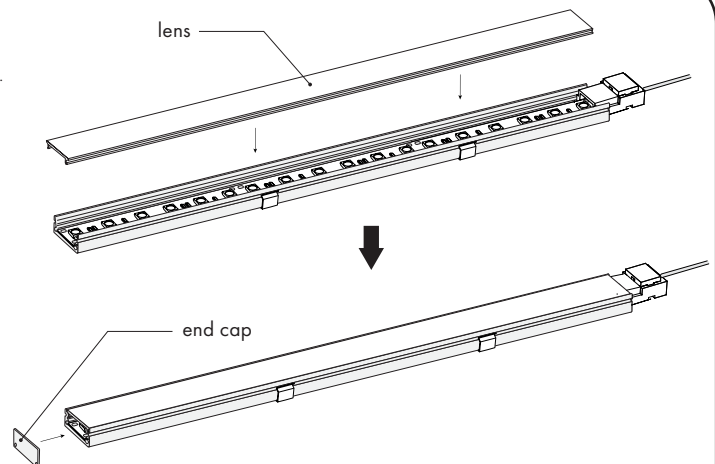


Figure A

- 7.1. Align lens starting at one corner (shown in figure A) and carefully snap the other corner in place. Once one corner is fully in place apply even pressure on both side of the lens to fit the remaining lens in place. If one side is sunken into channel realign lens otherwise the lens will not fit.
- 7.2. Install channel end cap, by either snapping on, or using the 2 provided screws.

1: If 0905C channel type is used slide lens in place.



# Installation Instructions for **Express** (Indoor only)



7777 Merrimac Ave  
Niles, IL 60714  
T 224.333.6033

**Please read complete instruction prior to installation and keep for future reference!**

1. LED strips must be installed indoor only. Installing outdoors will void the warranty.
2. Installation must be carried out by a licensed electrician & executed in accordance with local codes.
3. The installing contractor assumes all liability for the safety and code compliance of the installation.
4. Optic Arts by Luminii is not liable caused by improper wiring, driver overloading, driver under-loading, power surges, poor system design or layout, negligence or other conditions.



Page 13 of 14

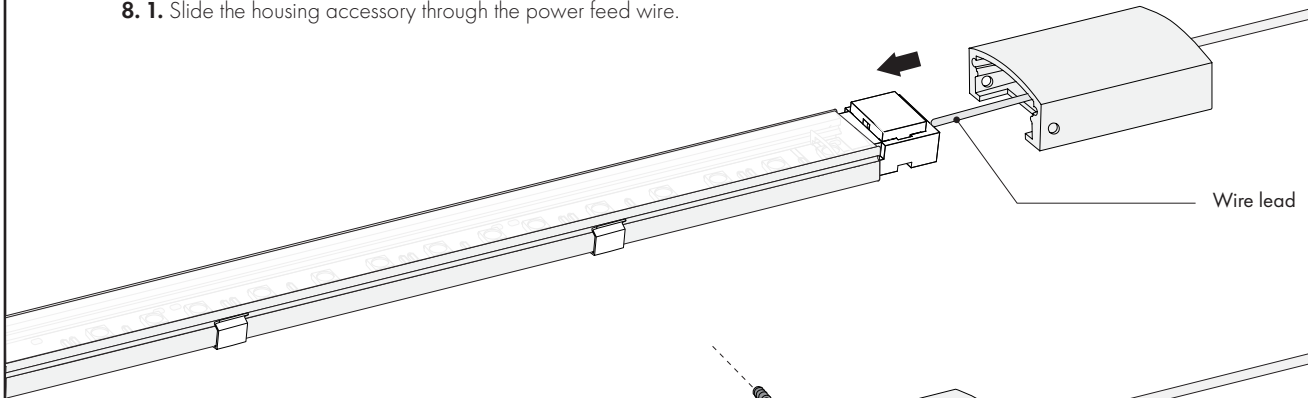
[www.luminii.com/express](http://www.luminii.com/express)

## Installation with Surface Mounted Channel using Flex Connect®

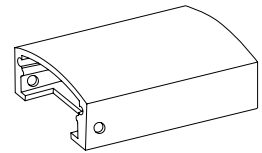
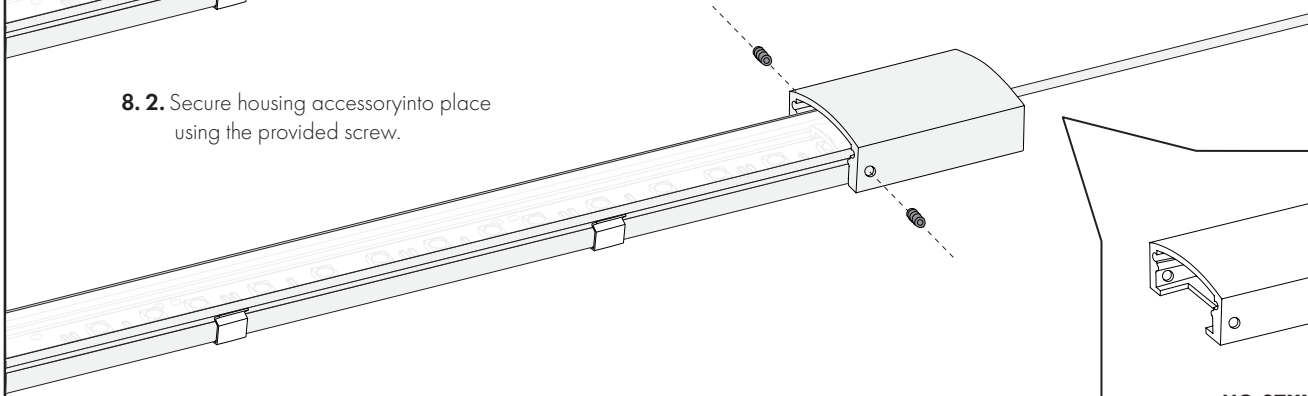
8

**Installation of Flex Connect® Auxiliary Housing Accessory is required only for 0704C and 0706C channels.**

**8.1.** Slide the housing accessory through the power feed wire.



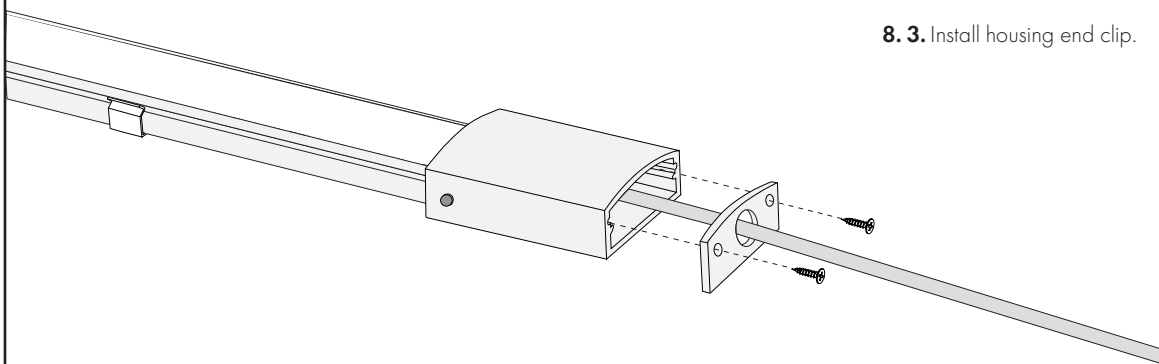
**8.2.** Secure housing accessory into place using the provided screw.



**HG-07XXC**

Flex Connect®  
Auxiliary Housing Accessory

**8.3.** Install housing end clip.



# Installation Instructions for **Express** (Indoor only)



7777 Merrimac Ave  
Niles, IL 60714  
T 224.333.6033



Page 14 of 14

[www.luminii.com/express](http://www.luminii.com/express)

## Please read complete instruction prior to installation and keep for future reference!

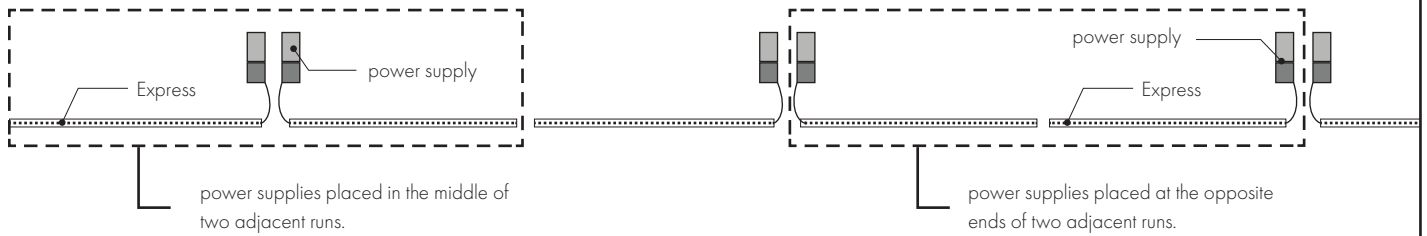
1. LED strips must be installed indoor only. Installing outdoors will void the warranty.
2. Installation must be carried out by a licensed electrician & executed in accordance with local codes.
3. The installing contractor assumes all liability for the safety and code compliance of the installation.
4. Optic Arts by Luminii is not liable caused by improper wiring, driver overloading, driver under-loading, power surges, poor system design or layout, negligence or other conditions.

## Wiring

1

### Recommended layout for multiple adjacent runs of Express fed with separate power supplies.

Position power supplies either in the middle of two runs or at the opposite ends.



2

### Always ensure power to power supply is off! Follow diagrams to connect power feed wires to power supply. Refer to power supply instructions for wiring line voltage side.

