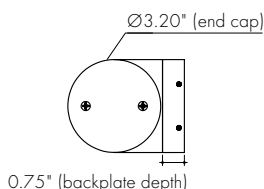


Features

- Cylindrical shape with 360° of diffuse, even illumination.
- 24VDC Class 2 fixtures made to order up to 48”.
- Suitable for wall mount applications
- Class 2 listed for damp locations
- Dot free even illumination
- Proprietary strong bond solder method handles up to 50 lbs of pull force on wire leads and connectors
- Vibrant Color options offer premium color quality with R9 values up to 98
- High Efficacy options offer best in class output and efficacy with over 1180 lm/ft and up to 109 lm/W
- Average Life (L70): 50,000hrs
- 7 year warranty



Finish Options (see page 2 for additional information)

- Base Silver Anodized
-
- Powder Coat Black Bronze White
-
- Premium Matte Black Warm Nickel Aged Brass
 Polished Gold Chrome



Technical Information

TYPE	Vibrant Color VC72			
	3x VC72VLO	3x VC72LO	3x VC72SO	3x VC72MO
OUTPUT OPTIONS				
Lumens Output (3000K) (with a Frosted Lens)	259 lm/ft	661 lm/ft	879 lm/ft	1162 lm/ft
Average Power Consumption (for a 4" section)	3.3 W/ft	8.4 W/ft	11.1 W/ft	14.7 W/ft
Efficacy	78 lm/W	79 lm/W	79 lm/W	79 lm/W
Max Run Length (in series)	16.3 ft	5.5 ft	4.1 ft	3 ft
Ambient Operating Temperature Range*	-4°F - 122°F (-20°C - 50°C)	-4°F - 104°F (-20°C - 40°C)	-4°F - 86°F (-20°C - 30°C)	-4°F - 77°F (-20°C - 25°C)

*Ambient Operating Temperature Range to maintain L70 of 50k+ hours in normal mounting conditions for the fixture. Exceeding Ambient Operating Temperature Range may result in decreased life/output. Consult Technical Support for specific inquiries.

TYPE	High Efficacy HE64			
	3x HE64VLO	3x HE64LO	3x HE64SO	3x HE64MO
OUTPUT OPTIONS				
Lumens Output (3000K) (with a Frosted Lens)	287 lm/ft	620 lm/ft	889 lm/ft	1182 lm/ft
Average Power Consumption (for a 4" section)	3 W/ft	5.7 W/ft	8.7 W/ft	11.4 W/ft
Efficacy	96 lm/W	109 lm/W	102 lm/W	104 lm/W
Max Run Length (in series)	14.3 ft	7.1 ft	4.6 ft	3.4 ft
Ambient Operating Temperature Range*	-4°F - 122°F (-20°C - 50°C)	-4°F - 122°F (-20°C - 50°C)	-4°F - 104°F (-20°C - 40°C)	-4°F - 86°F (-20°C - 30°C)

*Ambient Operating Temperature Range to maintain L70 of 50k+ hours in normal mounting conditions for the fixture. Exceeding Ambient Operating Temperature Range may result in decreased life/output. Consult Technical Support for specific inquiries.

CCT	Multiplier (ref. - 30K)	CRI	TM-30		
			R _f	R _g	R ₉
1800K	0.50	95	94	99	86
2200K	0.66	96	94	101	95
2400K	0.90	98	96	101	91
2700K	0.93	98	96	102	93
3000K	1.00	97	94	104	99
3500K	1.04	96	94	105	97
4100K	1.05	97	95	104	96

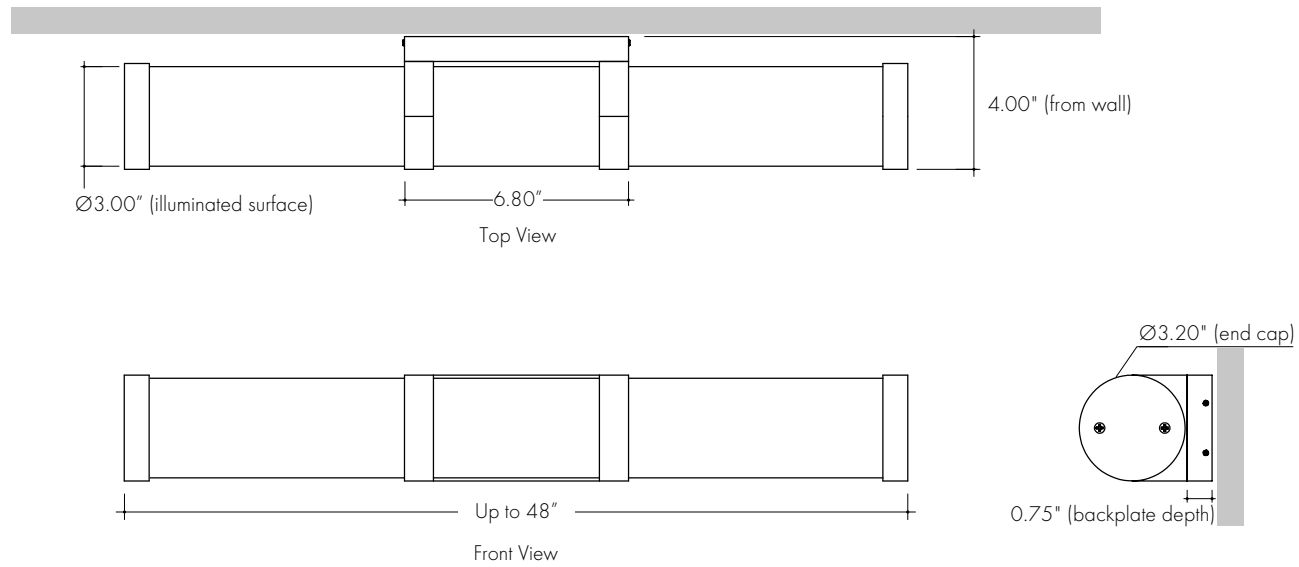
CCT	Multiplier (ref. - 30K)	CRI	TM-30		
			R _f	R _g	R ₉
2200K	0.74	94	91	96	65
2400K	0.87	94	92	97	56
2700K	0.97	94	92	100	57
3000K	1.00	93	91	99	54
3500K	1.01	95	91	99	62
4000K	1.04	95	91	99	68

Ordering Code

MODEL	LENGTH ¹	OUTPUT ²	CCT	LENS	FINISH ³	POWER SUPPLY TYPE
EXPV - Explorer Vanity	12"-48" 1" increments	VC72VLO - Very Low VC72LO - Low VC72SO - Standard VC72MO - Medium	18K - 1800K 22K - 2200K 24K - 2400K 27K - 2700K 30K - 3000K 35K - 3500K 41K - 4100K	F - Frosted	BASE SA - Silver Anodized POWDER COAT BK - Black BZ - Bronze WH - White	R - Remote Power Supply
	12"-48" 2" increments	HE64VLO - Very Low HE64LO - Low HE64SO - Standard HE64MO - Medium	22K - 2200K 24K - 2400K 27K - 2700K 30K - 3000K 35K - 3500K 40K - 4000K		PREMIUM MBK - Matte Black WN - Warm Nickel AB - Aged Brass PG - Polished Gold CH - Chrome	

1 - Custom lengths and increments are available, please consult Inside Sales with specific request.
 2 - Title 24 JAB achievable depending on Output, CCT, and Lens selections. See multiplier charts to calculate specific efficacies.
 3 - Non Base finishes may have extended lead times. Custom RALs are available, please consult Inside Sales with specific request.

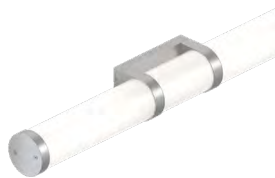
Product Dimensions



Finish Options

- Finish options are available in a wide variety, allowing for complete customization of style and aesthetic.
- Non Base finishes may have extended lead times and price adder.
- Custom RALs are available, please consult Inside Sales with specific request.

Silver Anodized Base



Silver Anodized is a soft silver with a clear finish.

Black Powder Coat



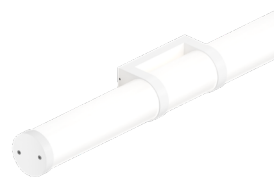
Black is a true deep black with a glossy finish.

Bronze Powder Coat



Bronze is a rich, dark brown with a satin finish.

White Powder Coat



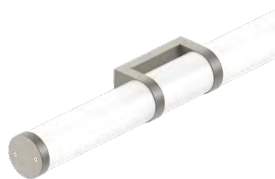
White is a polar bright white and field paintable.

Matte Black Premium



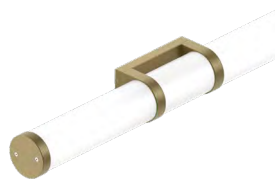
Matte Black is a dark, pitch-black with a soft flat finish.

Warm Nickel Premium



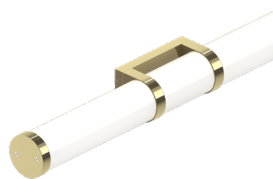
Warm Nickel is a soft, silvery smoke with warm tones and a satin finish.

Aged Brass Premium



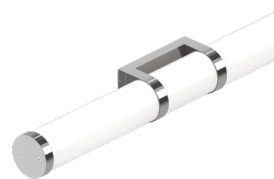
Aged Brass is a deep brown shade with slightly golden undertones.

Polished Gold Premium



Polished Gold is bright and radiant for a brilliant finish.

Chrome Premium



Chrome is a highly reflective silver polish.

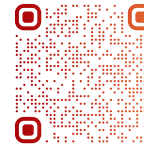
Light Transmission and Dotting

Output Options	Lens/Accessory			
	Frosted Lens			
Dimming Level	100%	50%	10%	1%
VC72VLO	ND	ND	ND	ND
VC72LO	ND	ND	ND	ND
VC72SO	ND	ND	ND	ND
VC72MO	ND	ND	ND	ND
HE64VLO	ND	ND	ND	ND
HE64LO	ND	ND	ND	ND
HE64SO	ND	ND	ND	ND
HE64MO	ND	ND </td <td>ND</td> <td>ND</td>	ND	ND
Transmission Percentage	100%			



CD - Clear Dotting
SD - Slight Dotting
ND - No Dotting

Use complete Dotting Chart Tool online for more dotting information

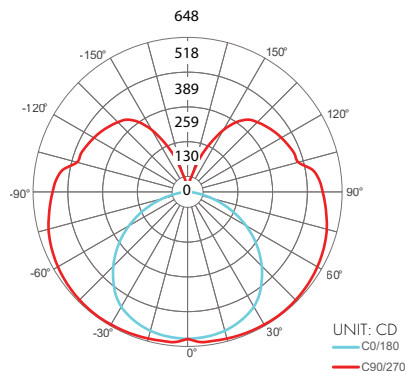


I'm also click-able

Photometry

EXPV-48-VC72MO-30K-F

Explorer Vanity, 4ft, MO, 3000K, Frosted Lens



Zonal Lumen Summary 3000K

Zone	Lumen	% Fixture
0-30	128	11%
0-40	219	19%
0-60	439	38%
0-90	757	65%
Total 0-180	1162	100%



Power Consumption

Please visit the link/QR code below to access the Luminii Power Consumption Chart tool on our website.

There you will be able to select your fixture, output, and desired power feed to get a full power consumption table.



I'm also click-able

Desired Nominal Length: _____

Desired Output: _____

Desired CCT: _____

Voltage Drop Calculator

The below chart assumes nominal voltage of 24 Volts and a Voltage Drop Allowance of 3% through the wire

Wattage [W]	Maximum Wire Length From Power Supply to Start of Run [ft]						
	12 AWG	14 AWG	16 AWG	18 AWG	20 AWG	22 AWG	24 AWG
5	1088.2	684.4	430.3	270.6	170.2	107.1	67.3
10	544.1	342.2	215.1	135.3	85.1	53.5	33.7
15	362.7	228.1	143.4	90.2	56.7	35.7	22.4
20	272.0	171.1	107.6	67.7	42.6	26.8	16.8
25	217.6	136.9	86.1	54.1	34.0	21.4	13.5
30	181.4	114.1	71.7	45.1	28.4	17.8	11.2
35	155.5	97.8	61.5	38.7	24.3	15.3	9.6
40	136.0	85.5	53.8	33.8	21.3	13.4	8.4
45	120.9	76.0	47.8	30.1	18.9	11.9	7.5
50	108.8	68.4	43.0	27.1	17.0	10.7	6.7
55	98.9	62.2	39.1	24.6	15.5	9.7	6.1
60	90.7	57.0	35.9	22.6	14.2	8.9	5.6
65	83.7	52.6	33.1	20.8	13.1	8.2	5.2
70	77.7	48.9	30.7	19.3	12.2	7.6	4.8
75	72.5	45.6	28.7	18.0	11.3	7.1	4.5
80	68.0	42.8	26.9	16.9	10.6	6.7	4.2
85	64.0	40.3	25.3	15.9	10.0	6.3	4.0
90	60.5	38.0	23.9	15.0	9.5	5.9	3.7
96	56.7	35.6	22.4	14.1	8.9	5.6	3.5

Power Supplies

See Power Supply instructions and spec sheet for wiring information. For a complete list of compatible dimmers, see Compatible Dimming Chart on the Resources page.

For use with Static White

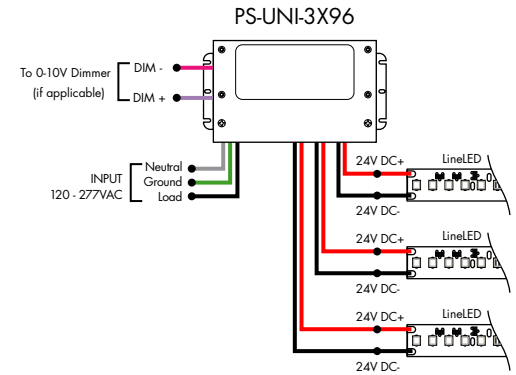
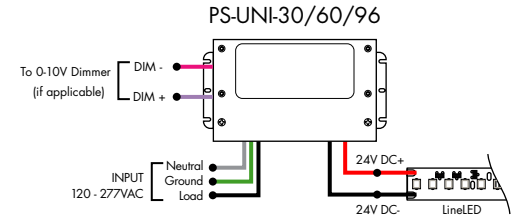
Ordering Code - Universal Dimming Power Supplies 0.1% 120VAC - 277VAC

MODEL	INPUT CONTROL	WATTAGE	OUTPUT
PS-Power Supply, 120-277VAC	UNI - 0-10V Dimming (0.1%), Phase Dimming (0.1%)	30 - 30 Watts 60 - 60 Watts 96 - 96 Watts 3x96 - 3x96 Watts	24 - 24 VDC

Compatibility: View a complete list of compatible dimmers on the PS-UNI product page.

0-10V - 0.1% dimming
MLV/ELV/TRIAC - 0.1% dimming, consult dimming compatibility chart

MODELS	PS-UNI-30W	PS-UNI-60W	PS-UNI-96W	PS-UNI-3X96W
Length	6.50"	7.40"	8.66"	11.85"
Width	3.73"	3.73"	3.73"	4.32"
Depth	1.61"	1.61"	1.61"	1.81"

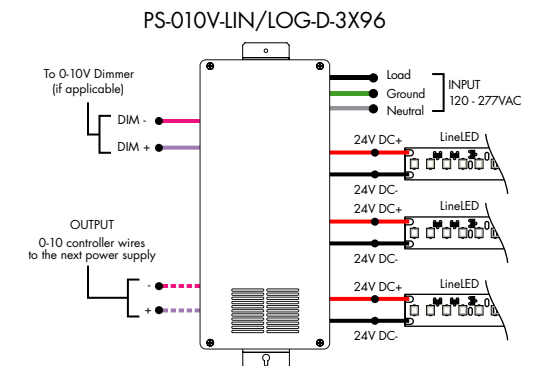
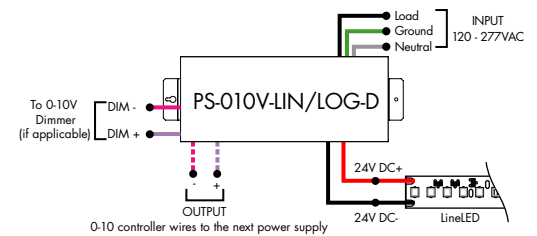


For use with Static White

Ordering Code - 0-10V Dimming Power Supplies 0.1% 120VAC - 277VAC

MODEL	INPUT CONTROL	ENVIRONMENT	WATTAGE	OUTPUT
PS-Power Supply, 120-277VAC	010V-LIN-0-10V Dimming (0.1%), Linear 010V-LOG-0-10V Dimming (0.1%), Logarithmic	D-Dry	96 - 96 Watts 3x96 - 3x96 Watts	24 - 24 VDC

MODELS	96W	3X96
Length	14.40"	15.00"
Width	5.20"	6.62"
Depth	2.60"	4.45"



Power Supplies

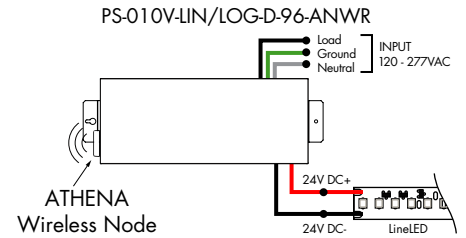
See Power Supply instructions and spec sheet for wiring information. For a complete list of compatible dimmers, see Compatible Dimming Chart on the Resources page.

For use with Static White

Ordering Code - Athena 0-10V LED Driver

MODEL	INPUT CONTROL	ENVIRONMENT	WATTAGE	OUTPUT	FEATURE
PS-Power Supply, 120-277VAC	010V-LIN-0-10V Dimming (0.1%), Linear	D-Dry	96-96 Watts	24-24 VDC	AWNR-Athena Wireless Node
	010V-LOG-0-10V Dimming (0.1%), Logarithmic				

MODELS	96W
Length	14.40"
Width	5.20"
Depth	2.60"

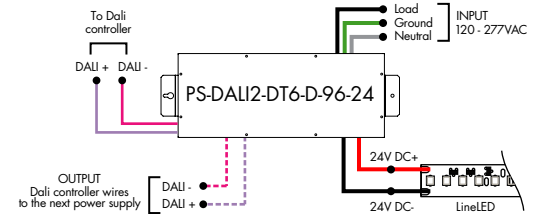


For use with Static White

Ordering Code - DALI 2 Dimming Power Supplies 0.1% 120VAC - 277VAC

MODEL	INPUT CONTROL	ENVIRONMENT	WATTAGE	OUTPUT
PS-Power Supply, 120-277VAC	DALI2-DT6-DALI2 DT6 (0.1%)	D-Dry	96-96 Watts	24-24 VDC

Model	96W
Length	14.40"
Width	5.20"
Depth	2.60"

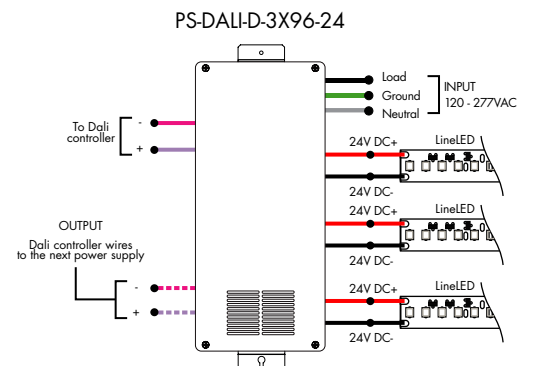
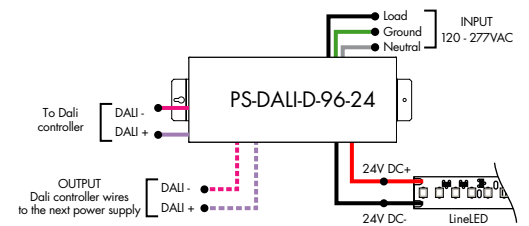


For use with Static White

Ordering Code - DALI Dimming Power Supplies 0.1% 120VAC - 277VAC

MODEL	INPUT CONTROL	ENVIRONMENT	WATTAGE	OUTPUT
PS-Power Supply, 120-277VAC	DALI-DALI (0.1%)	D-Dry	96-96 Watts 3x96-3x96 Watts	24-24 VDC

Model	96W	3X96
Length	14.40"	15.00"
Width	5.20"	6.62"
Depth	2.60"	4.56"



Power Supplies

See Power Supply instructions and spec sheet for wiring information. For a complete list of compatible dimmers, see Compatible Dimming Chart on the Resources page.

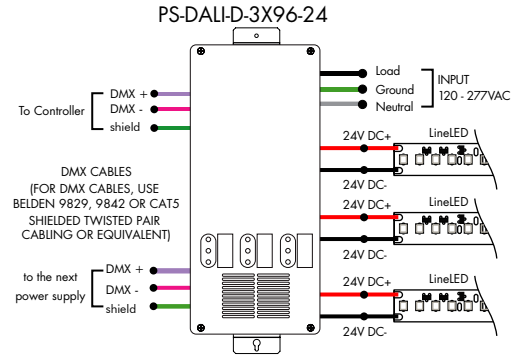
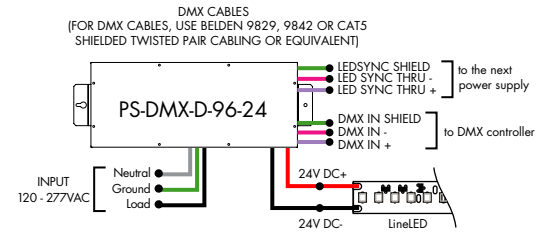
For use with Static White

Ordering Code - DMX Dimming Power Supplies 0.1% 120VAC - 277VAC

MODEL	INPUT CONTROL	ENVIRONMENT	WATTAGE	OUTPUT
PS-Power Supply, 120-277VAC	DMX-DMX (0.1%)	D-Dry	96-96 Watts 3x96-3x96 Watts	24-24 VDC

MODELS	96W	3X96
Length	14.40"	15.00"
Width	5.20"	6.62"
Depth	2.60"	4.56"

ZONAL CONTROL POWER SUPPLIES.
CONTROL MULTIPLE TAPES/ZONES USING DMX CHANNELS.

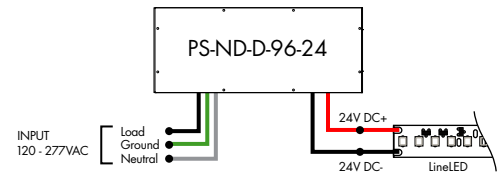


For use with Static White

Ordering Code - Non-Dimming Power Supply, 120VAC - 277VAC

MODEL	INPUT CONTROL	ENVIRONMENT	WATTAGE	OUTPUT
PS-Power Supply, 120-277VAC	ND-Non Dimming	D-Dry	96-96 Watts	24-24 VDC

MODELS	96W
Length	14.40"
Width	5.20"
Depth	2.60"

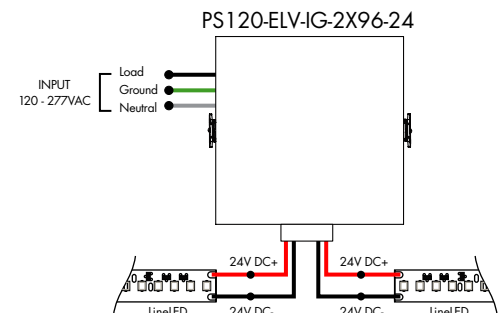


For use with Static White

Ordering Code - In-Ground Power Supplies

MODEL	INPUT CONTROL	ENVIRONMENT	WATTAGE	OUTPUT
PS120-Power Supply, 120VAC PS240-Power Supply, 240VAC PS277-Power Supply, 277VAC	ELV-ELV Dimming (1%)	IG-In Ground	2X96-2X96 Watts	24-24 VDC

MODELS	2X96W
Length	8.40"
Width	8.30"
Depth	8.10"



Power Supplies

See Power Supply instructions and spec sheet for wiring information. For a complete list of compatible dimmers, see Compatible Dimming Chart on the Resources page.



Luminii is a Lutron OEM Advantage Partner

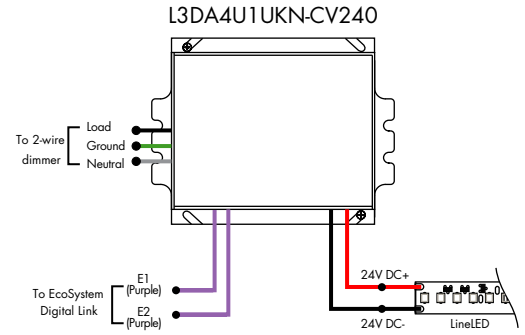
Lutron Power Supplies 1%

MODEL

L3DA4U1UKL-CV240

HiLume™ 1% EcoSystem Voltage LED driver 40W max

MODELS	L3DA4U1UKL-CV240
Length	4.98"
Width	4.00"
Depth	2.62"



Luminii is a Lutron OEM Advantage Partner

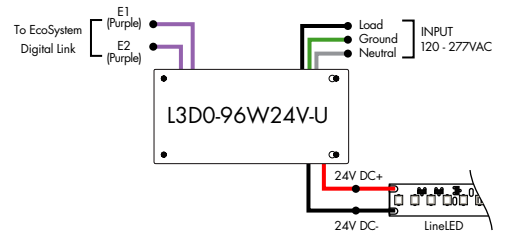
Lutron Power Supplies 0.1%

MODEL

L3D0-96W24V-U

HiLume™ 0.1% EcoSystem Voltage LED Driver with Soft-On, Fade-to-Black™ 96W max

MODELS	L3D0
Length	10.50"
Width	5.50"
Depth	2.00"



Power Supplies

See Power Supply instructions and spec sheet for wiring information. For a complete list of compatible dimmers, see Compatible Dimming Chart on the Resources page. Use options below for Integral power supplies.

For use with INT120

MODEL		Input Ratings	
LTEA4U1UKN-CV240		Voltage	120 VAC
HiLume™ 1% 1% / 2-Wire LED Driver Forward-Phase / 40W 24VDC		Frequency	50/60 Hz
		Current	0.37 A @ 120 VAC
MODELS		Output Ratings	
LTEA4U1UKN-CV240		Voltage	24 VDC
Length	4.98"	Wattage	40 W Max
Width	4.00"		
Depth	2.62"		

For use with INTECO

MODEL		Input Ratings	
L3DA4U1UKN-CV240		Voltage	120-277 VAC
HiLume™ 1% EcoSystem / 3-Wire L3D Driver / 40W 24VDC		Frequency	50/60 Hz
		Current	0.37 A @ 120 VAC 0.17 A @ 277 VAC
MODELS		Output Ratings	
L3DA4U1UKN-CV240		Voltage	24 VDC
Length	4.98"	Wattage	40 W Max
Width	4.00"		
Depth	2.62"		

For use with INT277

MODEL		Input Ratings	
TE60WD24LED		Voltage	277 VAC
277VAC Input, 50/60 Hz, 0.2A Input Current, ELV Dimming		Frequency	50/60 Hz
		Current	0.20 A
MODELS		Output Ratings	
TE60WD24LED		Voltage	24 VDC
Length	4.21"	Wattage	60 W Max
Width	1.75"		
Depth	0.96"		