

# DOMINO 4 RECESSED

12° NARROW BEAM

STATIC WHITE



## OVERVIEW

Domino 4 Recessed is a Constant Current multi source LED spotlight that is machined from aerospace grade aluminium 6063-T6 and comes as standard in white, black and brushed aluminium. It has five site-changeable beam distributions including elliptical beams. The narrow beam in our 8.96W 720lm module has a peak intensity of 6264cd.

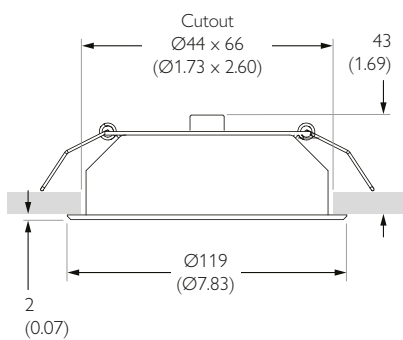
- UK PART L**
- Part L1A / L1B (Dwellings) ●
  - Part L2A (General)
  - Part L2A (Display) ●



## PERFORMANCE

FWHM	12°	Category	IP20
Luminous Flux	656 lm	Material	Machined AL 6063-T6
Peak Intensity	6264 cd	Finishes	Brushed Aluminium   Black RAL9005   White RAL9010
CCT	2700K   3000K	Weight	181g   0.40lb
CRI Min.	95 TYP	Cutout	ø44mm x 66mm (1.73" x 2.60")
Drive Current	700 mA	Movement	Pan N/A   Tilt N/A
Nom. Voltage	12.8 V	Min Ceiling Void	20mm (0.79") clearance above
Max. Wattage	8.96 W	Accessories	N/A   N/A
Dimming	0-10V   DALI	TM65   TM66	11.09kgCO2e   2.1
Driver Type	Constant Current   Remote	Lifetime	L90B10 100,000hrs   5 year warranty
Class	SELV   Class III		

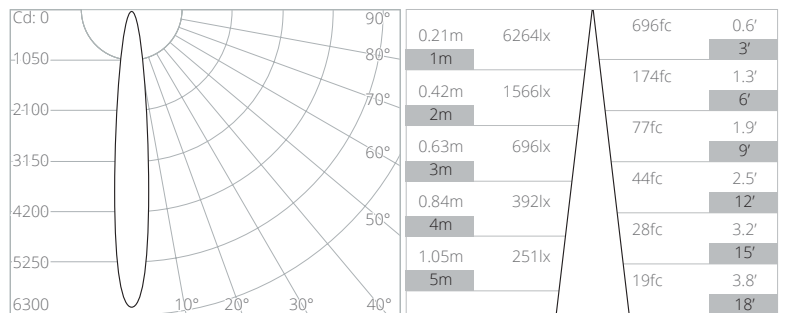
## DIMENSIONS



mm (inches)

## PHOTOMETRY

CCT	Multiplier
2700K	x1.00
3000K	x1.00



Data at 3000K

## ORDER CODE

Model	Finish	CCT	Beam Angle
TX-654	-	-	-
	WH White RAL 9010	2795 2700K 95CRI	12 Narrow
	BK Black RAL 9005	3095 3000K 95CRI	30 Flood
	AL Brushed Aluminium		60 Wide Flood
			E1 Ellipse
			E2 Vertical Ellipse

Example Code: TX-654-WH-309512

\*Premium & custom finishes are built to order, subject to an extended lead time & MOQ  
See Drivers, Power Supplies and Accessories sections for further order codes

# DOMINO 4 RECESSED

30° FLOOD BEAM

STATIC WHITE



## OVERVIEW

Domino 4 Recessed is a Constant Current multi source LED spotlight that is machined from aerospace grade aluminium 6063-T6 and comes as standard in white, black and brushed aluminium. It has five site-changeable beam distributions including elliptical beams. The flood beam in our 8.96W 720lm module has a peak intensity of 1880cd.

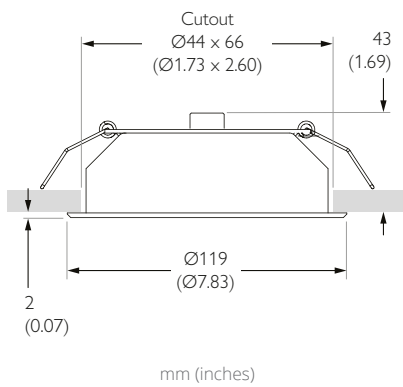
- UK PART L**
- Part L1A / L1B (Dwellings) ●
  - Part L2A (General)
  - Part L2A (Display) ●



## PERFORMANCE

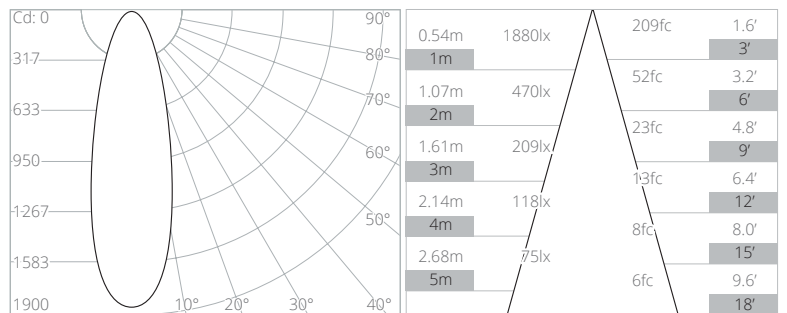
FWHM	30°	Category	IP20
Luminous Flux	600 lm	Material	Machined AL 6063-T6
Peak Intensity	1880 cd	Finishes	Brushed Aluminium   Black RAL9005   White RAL9010
CCT	2700K   3000K	Weight	181g   0.40lb
CRI Min.	95 TYP	Cutout	ø44mm x 66mm (1.73" x 2.60")
Drive Current	700 mA	Movement	Pan N/A   Tilt N/A
Nom. Voltage	12.8 V	Min Ceiling Void	20mm (0.79") clearance above
Max. Wattage	8.96 W	Accessories	N/A   N/A
Dimming	0-10V   DALI	TM65   TM66	11.09kgCO2e   2.1
Driver Type	Constant Current   Remote	Lifetime	L90B10 100,000hrs   5 year warranty
Class	SELV   Class III		

## DIMENSIONS



## PHOTOMETRY

CCT	Multiplier
2700K	x1.00
3000K	x1.00



Data at 3000K

## ORDER CODE

Model	Finish	CCT	Beam Angle
TX-654	-	-	-
	WH White RAL 9010	2795 2700K 95CRI	12 Narrow
	BK Black RAL 9005	3095 3000K 95CRI	30 Flood
	AL Brushed Aluminium		60 Wide Flood
			E1 Ellipse
			E2 Vertical Ellipse

Example Code: TX-654-WH-309530

\*Premium & custom finishes are built to order, subject to an extended lead time & MOQ  
See Drivers, Power Supplies and Accessories sections for further order codes

# DOMINO 4 RECESSED

60° WIDE FLOOD BEAM

STATIC WHITE



## OVERVIEW

Domino 4 Recessed is a Constant Current multi source LED spotlight that is machined from aerospace grade aluminium 6063-T6 and comes as standard in white, black and brushed aluminium. It has five site-changeable beam distributions including elliptical beams. The wide flood beam in our 8.96W 720lm module has a peak intensity of 652cd.

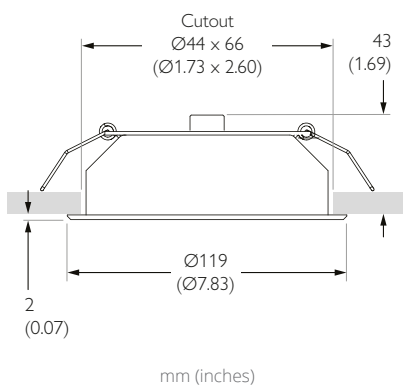
- UK PART L**
- Part L1A / L1B (Dwellings) ●
  - Part L2A (General)
  - Part L2A (Display) ●



## PERFORMANCE

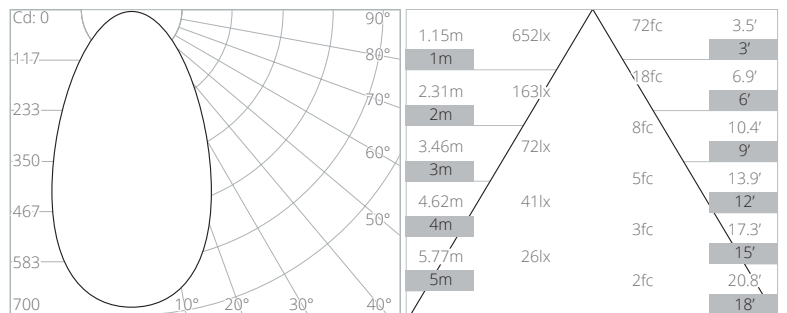
FWHM	60°	Category	IP20
Luminous Flux	652 lm	Material	Machined AL 6063-T6
Peak Intensity	652 cd	Finishes	Brushed Aluminium   Black RAL9005   White RAL9010
CCT	2700K   3000K	Weight	181g   0.40lb
CRI Min.	95 TYP	Cutout	ø44mm x 66mm (1.73" x 2.60")
Drive Current	700 mA	Movement	Pan N/A   Tilt N/A
Nom. Voltage	12.8 V	Min Ceiling Void	20mm (0.79") clearance above
Max. Wattage	8.96 W	Accessories	N/A   N/A
Dimming	0-10V   DALI	TM65   TM66	11.09kgCO2e   2.1
Driver Type	Constant Current   Remote	Lifetime	L90B10 100,000hrs   5 year warranty
Class	SELV   Class III		

## DIMENSIONS



## PHOTOMETRY

CCT	Multiplier
2700K	x1.00
3000K	x1.00



Data at 3000K

## ORDER CODE

Model	Finish	CCT	Beam Angle
TX-654	-	-	
	<b>WH</b> White RAL 9010	<b>2795</b> 2700K 95CRI	<b>12</b> Narrow
	<b>BK</b> Black RAL 9005	<b>3095</b> 3000K 95CRI	<b>30</b> Flood
	<b>AL</b> Brushed Aluminium		<b>60</b> Wide Flood
			<b>E1</b> Ellipse
			<b>E2</b> Vertical Ellipse

Example Code: TX-654-WH-309560

\*Premium & custom finishes are built to order, subject to an extended lead time & MOQ  
See Drivers, Power Supplies and Accessories sections for further order codes

# DOMINO 4 RECESSED

12X35° ELLIPSE BEAM

STATIC WHITE



## OVERVIEW

Domino 4 Recessed is a Constant Current multi source LED spotlight that is machined from aerospace grade aluminium 6063-T6 and comes as standard in white, black and brushed aluminium. It has five site-changeable beam distributions including elliptical beams. The ellipse beam in our 8.96W 720lm module has a peak intensity of 3888cd.

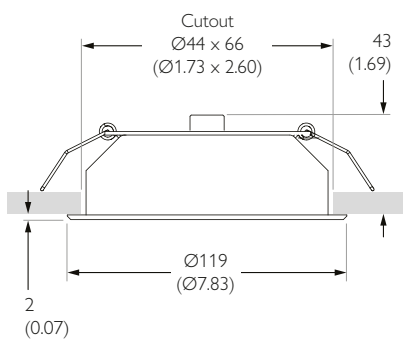
- UK PART L**
- Part L1A / L1B (Dwellings) ●
  - Part L2A (General)
  - Part L2A (Display) ●



## PERFORMANCE

FWHM	12x35°	Category	IP20
Luminous Flux	656 lm	Material	Machined AL 6063-T6
Peak Intensity	3888 cd	Finishes	Brushed Aluminium   Black RAL9005   White RAL9010
CCT	2700K   3000K	Weight	181g   0.40lb
CRI Min.	95 TYP	Cutout	ø44mm x 66mm (1.73" x 2.60")
Drive Current	700 mA	Movement	Pan N/A   Tilt N/A
Nom. Voltage	12.8 V	Min Ceiling Void	20mm (0.79") clearance above
Max. Wattage	8.96 W	Accessories	N/A   N/A
Dimming	0-10V   DALI	TM65   TM66	11.09kgCO2e   2.1
Driver Type	Constant Current   Remote	Lifetime	L90B10 100,000hrs   5 year warranty
Class	SELV   Class III		

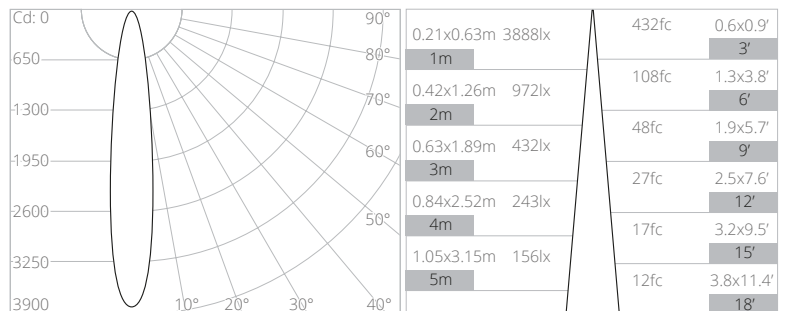
## DIMENSIONS



mm (inches)

## PHOTOMETRY

CCT	Multiplier
2700K	x1.00
3000K	x1.00



Data at 3000K

## ORDER CODE

Model	Finish	CCT	Beam Angle
TX-654	-	-	-
	WH White RAL 9010	2795 2700K 95CRI	12 Narrow
	BK Black RAL 9005	3095 3000K 95CRI	30 Flood
	AL Brushed Aluminium		60 Wide Flood
			E1 Ellipse
			E2 Vertical Ellipse

Example Code: TX-654-WH-3095E1

\*Premium & custom finishes are built to order, subject to an extended lead time & MOQ  
See Drivers, Power Supplies and Accessories sections for further order codes

# DOMINO 4 RECESSED

35X12° VERTICAL ELLIPSE BEAM

STATIC WHITE



## OVERVIEW

Domino 4 Recessed is a Constant Current multi source LED spotlight that is machined from aerospace grade aluminium 6063-T6 and comes as standard in white, black and brushed aluminium. It has five site-changeable beam distributions including elliptical beams. The vertical ellipse beam in our 8.96W 720lm module has a peak intensity of 3888cd.

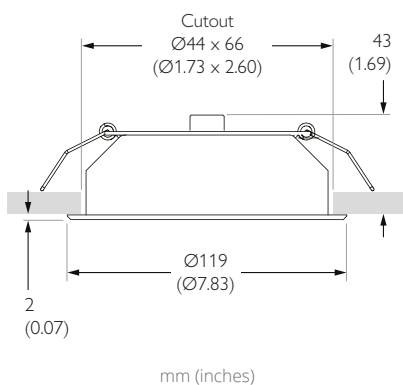
- UK PART L**
- Part L1A/ L1B (Dwellings) ●
  - Part L2A (General)
  - Part L2A (Display) ●



## PERFORMANCE

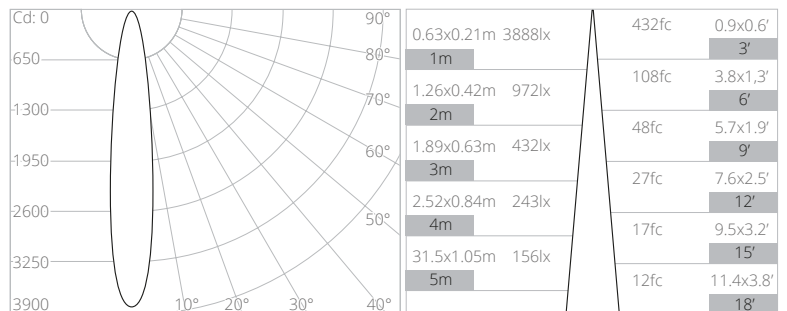
FWHM	35x12°	Category	IP20
Luminous Flux	656 lm	Material	Machined AL 6063-T6
Peak Intensity	3888 cd	Finishes	Brushed Aluminium   Black RAL9005   White RAL9010
CCT	2700K   3000K	Weight	181g   0.40lb
CRI Min.	95 TYP	Cutout	ø44mm x 66mm (1.73" x 2.60")
Drive Current	700 mA	Movement	Pan N/A   Tilt N/A
Nom. Voltage	12.8 V	Min Ceiling Void	20mm (0.79") clearance above
Max. Wattage	8.96 W	Accessories	N/A   N/A
Dimming	0-10V   DALI	TM65   TM66	11.09kgCO2e   2.1
Driver Type	Constant Current   Remote	Lifetime	L90B10 100,000hrs   5 year warranty
Class	SELV   Class III		

## DIMENSIONS



## PHOTOMETRY

CCT	Multiplier
2700K	x1.00
3000K	x1.00



Data at 3000K

## ORDER CODE

Model	Finish	CCT	Beam Angle
TX-654	-	-	-
	WH White RAL 9010	2795 2700K 95CRI	12 Narrow
	BK Black RAL 9005	3095 3000K 95CRI	30 Flood
	AL Brushed Aluminium		60 Wide Flood
			E1 Ellipse
			E2 Vertical Ellipse

Example Code: TX-654-WH-3095E2

\*Premium & custom finishes are built to order, subject to an extended lead time & MOQ  
See Drivers, Power Supplies and Accessories sections for further order codes

## DRIVERS

### 20W | DIMMING: DALI OR 0-10V

NO. OF LIGHTS PER DRIVER 1 to 2 in series

MIN DIM LEVEL 0.1%

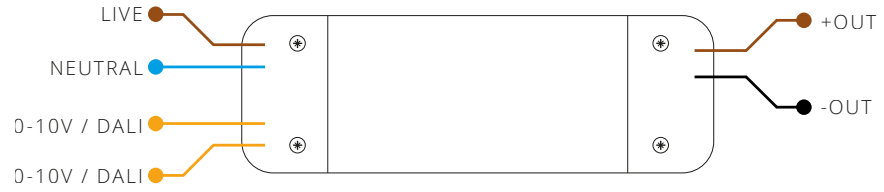
VOLTAGE REGION 230V

FOR NORTH AMERICA No

WATTAGE 20W

SUPPLY TYPE Constant Current

DRIVER LOCATION Remote



DALI CODE PSCC-20-700-D-EL

0-10V CODE PSCC-20-700-A-EL

LENGTH 160mm (6.30") WIDTH 41mm (1.63") HEIGHT 30mm (1.18")



### 30W | DIMMING: DALI OR 0-10V

NO. OF LIGHTS PER DRIVER 1 to 3 in series

MIN DIM LEVEL 0.1%

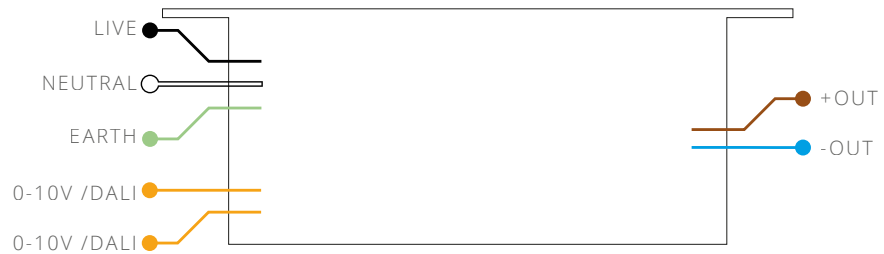
VOLTAGE REGION 120V

FOR NORTH AMERICA Yes

WATTAGE 30W

SUPPLY TYPE Constant Current

DRIVER LOCATION Remote



DALI CODE USCC-30-700-D-EL-ENC

0-10V CODE USCC-30-700-A-EL-ENC

LENGTH 348mm (13.7") WIDTH 65mm (2.6") HEIGHT 47mm (1.9")



### 12W | DIMMING: PHASE

NO. OF LIGHTS PER DRIVER 1

MIN DIM LEVEL 1%

VOLTAGE REGION 120V

FOR NORTH AMERICA Yes

WATTAGE 12W

SUPPLY TYPE Constant Current

DRIVER LOCATION Remote



PHASE CODE USCC-12-700-P-HT-ENC

LENGTH 247mm (9.7") WIDTH 65mm (2.6") HEIGHT 47mm (1.9")

