

DOMINO 4 RECESSED TRIMLESS

12° NARROW BEAM

STATIC WHITE



OVERVIEW

Domino 4 Recessed Trimless is a Constant Current multi source LED spotlight that is machined from aerospace grade aluminium 6063-T6 and comes as standard in white, black and brushed aluminium. It has five site-changeable beam distributions including elliptical beams. The narrow beam in our 8.96W 720lm module has a peak intensity of 6264cd.

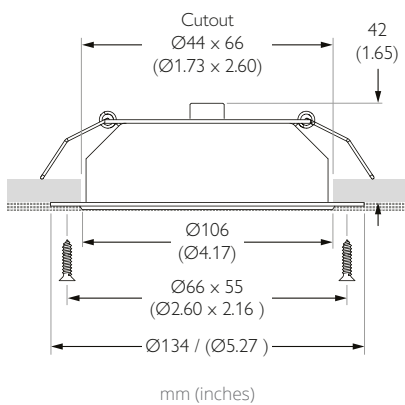
- UK PART L**
- Part L1A / L1B (Dwellings) ●
 - Part L2A (General)
 - Part L2A (Display) ●



PERFORMANCE

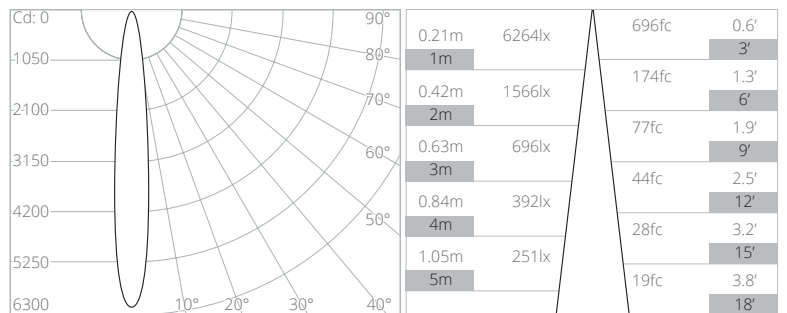
FWHM	12°	Category	IP20
Luminous Flux	656 lm	Material	Machined AL 6063-T6
Peak Intensity	6264 cd	Finishes	Brushed Aluminium Black RAL9005 Visible
CCT	2700K 3000K	Weight	181g 0.40lb
CRI Min.	95 TYP	Cutout	ø44mm x 66mm (1.73" x 2.60")
Drive Current	700 mA	Movement	Pan N/A Tilt N/A
Nom. Voltage	12.8 V	Min Ceiling Void	20mm (0.79") clearance above
Max. Wattage	8.96 W	Accessories	N/A N/A
Dimming	0-10V DALI	TM65 TM66	11.09kgCO2e 2.1
Driver Type	Constant Current Remote	Lifetime	L90B10 100,000hrs 5 year warranty
Class	SELV Class III		

DIMENSIONS



PHOTOMETRY

CCT	Multiplier
2700K	x1.00
3000K	x1.00



Data at 3000K

ORDER CODE

Model	Finish	CCT	Beam Angle
TS-654	-	-	-
	AL Matt Black Baffle	2795 2700K 95CRI	12 Narrow
		3095 3000K 95CRI	30 Flood
			60 Wide Flood
			E1 Ellipse
			E2 Vertical Ellipse

Example Code: TS-654-AL-309512

*Premium & custom finishes are built to order, subject to an extended lead time & MOQ
See Drivers, Power Supplies and Accessories sections for further order codes

DOMINO 4 RECESSED TRIMLESS

30° FLOOD BEAM

STATIC WHITE



OVERVIEW

Domino 4 Recessed Trimless is a Constant Current multi source LED spotlight that is machined from aerospace grade aluminium 6063-T6 and comes as standard in white, black and brushed aluminium. It has five site-changeable beam distributions including elliptical beams. The flood beam in our 8.96W 720lm module has a peak intensity of 1880cd.

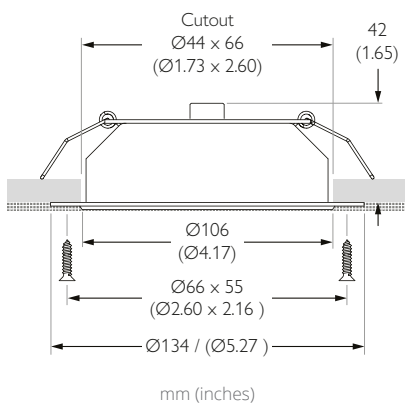
- UK PART L**
- Part L1A / L1B (Dwellings) ●
 - Part L2A (General)
 - Part L2A (Display) ●



PERFORMANCE

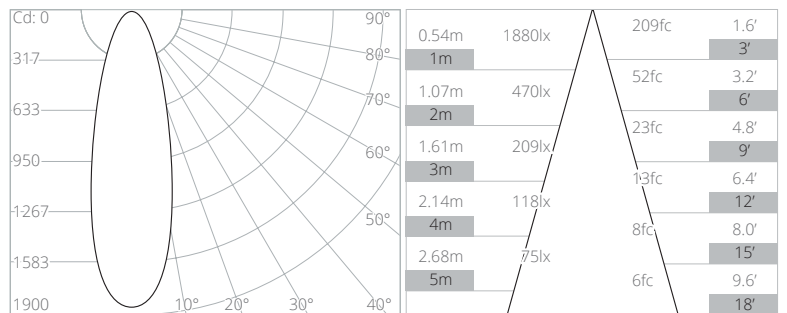
FWHM	30°	Category	IP20
Luminous Flux	600 lm	Material	Machined AL 6063-T6
Peak Intensity	1880 cd	Finishes	Brushed Aluminium Black RAL9005 Visible
CCT	2700K 3000K	Weight	181g 0.40lb
CRI Min.	95 TYP	Cutout	ø44mm x 66mm (1.73" x 2.60")
Drive Current	700 mA	Movement	Pan N/A Tilt N/A
Nom. Voltage	12.8 V	Min Ceiling Void	20mm (0.79") clearance above
Max. Wattage	8.96 W	Accessories	N/A N/A
Dimming	0-10V DALI	TM65 TM66	11.09kgCO2e 2.1
Driver Type	Constant Current Remote	Lifetime	L90B10 100,000hrs 5 year warranty
Class	SELV Class III		

DIMENSIONS



PHOTOMETRY

CCT	Multiplier
2700K	x1.00
3000K	x1.00



Data at 3000K

ORDER CODE

Model	Finish	CCT	Beam Angle
TS-654	-	-	-
	AL Matt Black Baffle	2795 2700K 95CRI	12 Narrow
		3095 3000K 95CRI	30 Flood
			60 Wide Flood
			E1 Ellipse
			E2 Vertical Ellipse

Example Code: TS-654-AL-309530

*Premium & custom finishes are built to order, subject to an extended lead time & MOQ
See Drivers, Power Supplies and Accessories sections for further order codes

DOMINO 4 RECESSED TRIMLESS

60° WIDE FLOOD BEAM

STATIC WHITE



OVERVIEW

Domino 4 Recessed Trimless is a Constant Current multi source LED spotlight that is machined from aerospace grade aluminium 6063-T6 and comes as standard in white, black and brushed aluminium. It has five site-changeable beam distributions including elliptical beams. The wide flood beam in our 8.96W 720lm module has a peak intensity of 652cd.

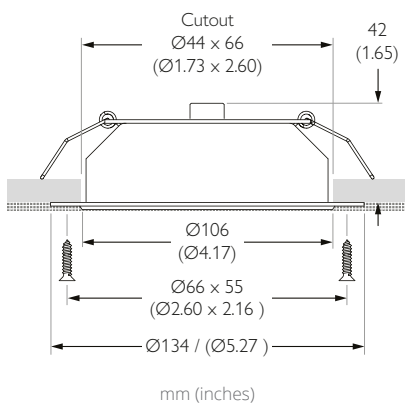
- UK PART L**
- Part L1A / L1B (Dwellings) ●
 - Part L2A (General)
 - Part L2A (Display) ●



PERFORMANCE

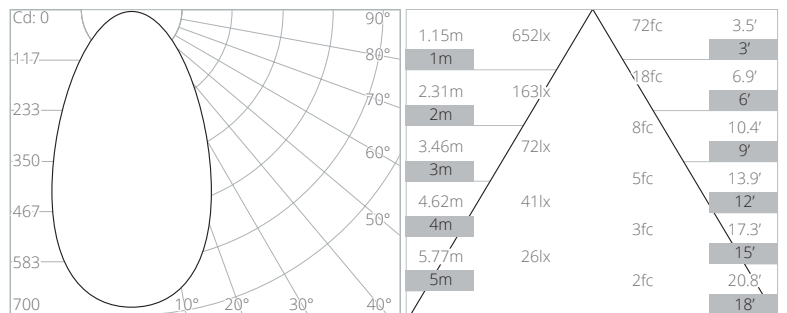
FWHM	60°	Category	IP20
Luminous Flux	652 lm	Material	Machined AL 6063-T6
Peak Intensity	652 cd	Finishes	Brushed Aluminium Black RAL9005 Visible
CCT	2700K 3000K	Weight	181g 0.40lb
CRI Min.	95 TYP	Cutout	ø44mm x 66mm (1.73" x 2.60")
Drive Current	700 mA	Movement	Pan N/A Tilt N/A
Nom. Voltage	12.8 V	Min Ceiling Void	20mm (0.79") clearance above
Max. Wattage	8.96 W	Accessories	N/A N/A
Dimming	0-10V DALI	TM65 TM66	11.09kgCO2e 2.1
Driver Type	Constant Current Remote	Lifetime	L90B10 100,000hrs 5 year warranty
Class	SELV Class III		

DIMENSIONS



PHOTOMETRY

CCT	Multiplier
2700K	x1.00
3000K	x1.00



Data at 3000K

ORDER CODE

Model	Finish	CCT	Beam Angle
TS-654	-	-	-
	AL Matt Black Baffle	2795 2700K 95CRI	12 Narrow
		3095 3000K 95CRI	30 Flood
			60 Wide Flood
			E1 Ellipse
			E2 Vertical Ellipse

Example Code: TS-654-AL-309560

*Premium & custom finishes are built to order, subject to an extended lead time & MOQ
See Drivers, Power Supplies and Accessories sections for further order codes

DOMINO 4 RECESSED TRIMLESS

12X35° ELLIPSE BEAM

STATIC WHITE



OVERVIEW

Domino 4 Recessed Trimless is a Constant Current multi source LED spotlight that is machined from aerospace grade aluminium 6063-T6 and comes as standard in white, black and brushed aluminium. It has five site-changeable beam distributions including elliptical beams. The ellipse beam in our 8.96W 720lm module has a peak intensity of 3888cd.

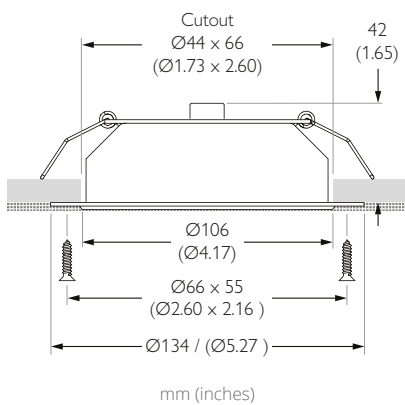
- UK PART L**
- Part L1A / L1B (Dwellings) ●
 - Part L2A (General)
 - Part L2A (Display) ●



PERFORMANCE

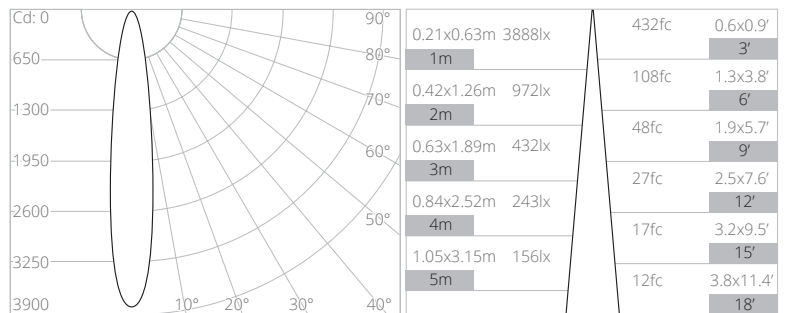
FWHM	12x35°	Category	IP20
Luminous Flux	656 lm	Material	Machined AL 6063-T6
Peak Intensity	3888 cd	Finishes	Brushed Aluminium Black RAL9005 Visible
CCT	2700K 3000K	Weight	181g 0.40lb
CRI Min.	95 TYP	Cutout	ø44mm x 66mm (1.73" x 2.60")
Drive Current	700 mA	Movement	Pan N/A Tilt N/A
Nom. Voltage	12.8 V	Min Ceiling Void	20mm (0.79") clearance above
Max. Wattage	8.96 W	Accessories	N/A N/A
Dimming	0-10V DALI	TM65 TM66	11.09kgCO2e 2.1
Driver Type	Constant Current Remote	Lifetime	L90B10 100,000hrs 5 year warranty
Class	SELV Class III		

DIMENSIONS



PHOTOMETRY

CCT	Multiplier
2700K	x1.00
3000K	x1.00



Data at 3000K

ORDER CODE

Model	Finish	CCT	Beam Angle
TS-654	-	-	-
	AL Matt Black Baffle	2795 2700K 95CRI	12 Narrow
		3095 3000K 95CRI	30 Flood
			60 Wide Flood
			E1 Ellipse
			E2 Vertical Ellipse

Example Code: TS-654-AL-3095E1

*Premium & custom finishes are built to order, subject to an extended lead time & MOQ
See Drivers, Power Supplies and Accessories sections for further order codes

DOMINO 4 RECESSED TRIMLESS

35X12° VERTICAL ELLIPSE BEAM

STATIC WHITE



OVERVIEW

Domino 4 Recessed Trimless is a Constant Current multi source LED spotlight that is machined from aerospace grade aluminium 6063-T6 and comes as standard in white, black and brushed aluminium. It has five site-changeable beam distributions including elliptical beams. The vertical ellipse beam in our 8.96W 720lm module has a peak intensity of 3888cd.

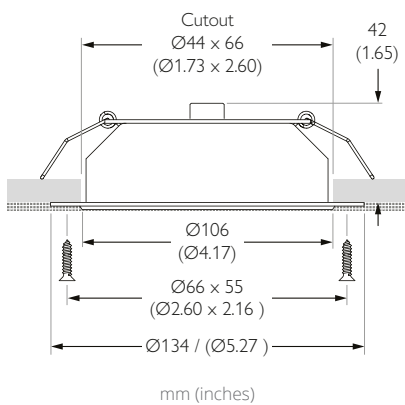
- UK PART L**
- Part L1A / L1B (Dwellings) ●
 - Part L2A (General)
 - Part L2A (Display) ●



PERFORMANCE

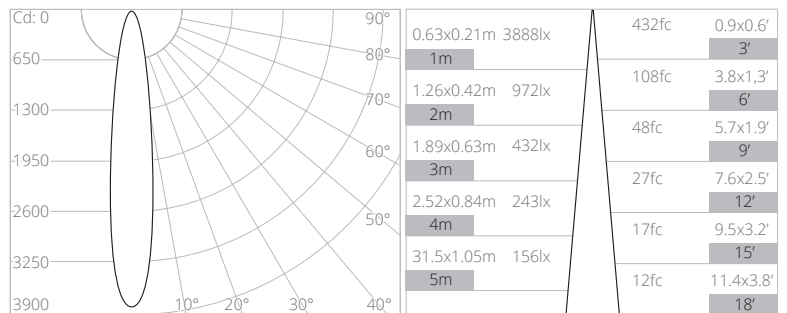
FWHM	35x12°	Category	IP20
Luminous Flux	656 lm	Material	Machined AL 6063-T6
Peak Intensity	3888 cd	Finishes	Brushed Aluminium Black RAL9005 Visible
CCT	2700K 3000K	Weight	181g 0.40lb
CRI Min.	95 TYP	Cutout	ø44mm x 66mm (1.73" x 2.60")
Drive Current	700 mA	Movement	Pan N/A Tilt N/A
Nom. Voltage	12.8 V	Min Ceiling Void	20mm (0.79") clearance above
Max. Wattage	8.96 W	Accessories	N/A N/A
Dimming	0-10V DALI	TM65 TM66	11.09kgCO2e 2.1
Driver Type	Constant Current Remote	Lifetime	L90B10 100,000hrs 5 year warranty
Class	SELV Class III		

DIMENSIONS



PHOTOMETRY

CCT	Multiplier
2700K	x1.00
3000K	x1.00



Data at 3000K

ORDER CODE

Model	Finish	CCT	Beam Angle
TS-654	-	-	-
	AL Matt Black Baffle	2795 2700K 95CRI	12 Narrow
		3095 3000K 95CRI	30 Flood
			60 Wide Flood
			E1 Ellipse
			E2 Vertical Ellipse

Example Code: TS-654-AL-3095E2

*Premium & custom finishes are built to order, subject to an extended lead time & MOQ
See Drivers, Power Supplies and Accessories sections for further order codes

MINIMO CORE

19° NARROW BEAM

STATIC WHITE



OVERVIEW

Minimo Core is a Constant Current single source LED downlight that comes as standard in white and black with a pinhole aesthetic. It has four optic choices for flexible beam distribution and is fully adjustable with 355° pan and 35° tilt without breaking the ceiling line. The narrow beam in our 12.60W 1200lm module has a peak intensity of 6389cd. The integral accessory holder can accommodate 31mm lenses and louvers up to 4mm thick.

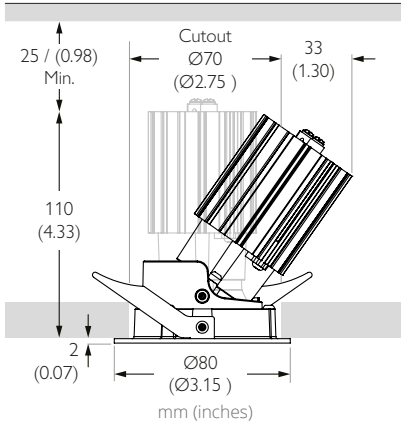
- UK PART L**
- Part L1A / L1B (Dwellings) ●
 - Part L2A (General)
 - Part L2A (Display) ●



PERFORMANCE

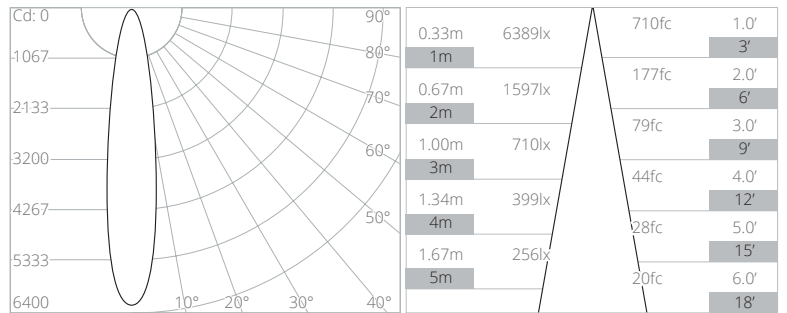
FWHM	19°	Category	IP20
Luminous Flux	887 lm	Material	Cast Aluminium A383
Peak Intensity	6389 cd	Finishes	Black RAL9005 White RAL9016
CCT	2400K 2700K 3000K	Weight	270g 0.60lb
CRI Min.	92 - 2400K 98 - 2700K/3000K/3500K 95 - 4000K	Cutout	ø70mm (2.75")
Drive Current	700 mA	Movement	Pan 355° Tilt 35°
Nom. Voltage	18 V	Min Ceiling Void	25mm (1.00") clearance above
Max. Wattage	12.60 W	Accessories	Integral Louver Lenses 31mm
Dimming	0-10V DALI	TM65 TM66	13.59kgCO2e 2.2
Driver Type	Constant Current Remote	Lifetime	L90B10 50,000hrs 5 year warranty
Class	SELV Class III		

DIMENSIONS



PHOTOMETRY

CCT	Multiplier
2400K	x0.97
2700K	x0.93
3000K	x1.00
3500K	x1.05
4000K	x1.05



Data at 3000K

ORDER CODE

Model	Finish	CCT	Beam Angle
RCD-640	-	-	-
	TW White RAL 9016	2490 2400K 90CRI	NA Narrow 19°
	BK Black RAL 9005	2798 2700K 98CRI	ME Medium 25°
		3098 3000K 98CRI	WD Wide 37°
		3598 3500K 98CRI	VW Very Wide 50°
		4095 4000K 95CRI	

Example Code: **RCD-640-TW-2798NA**

*Premium & custom finishes are built to order, subject to an extended lead time & MOQ
See Drivers, Power Supplies and Accessories sections for further order codes

MINIMO CORE

25° MEDIUM BEAM

STATIC WHITE



OVERVIEW

Minimo Core is a Constant Current single source LED downlight that comes as standard in white and black with a pinhole aesthetic. It has four optic choices for flexible beam distribution and is fully adjustable with 355° pan and 35° tilt without breaking the ceiling line. The medium beam in our 12.60W 1200lm module has a peak intensity of 5069cd. The integral accessory holder can accommodate 31mm lenses and louvers up to 4mm thick.

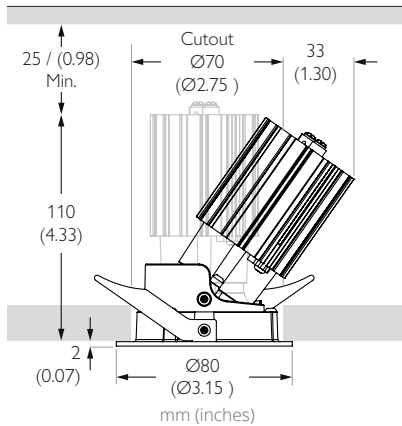
- UK PART L**
- Part L1A / L1B (Dwellings) ●
 - Part L2A (General)
 - Part L2A (Display) ●



PERFORMANCE

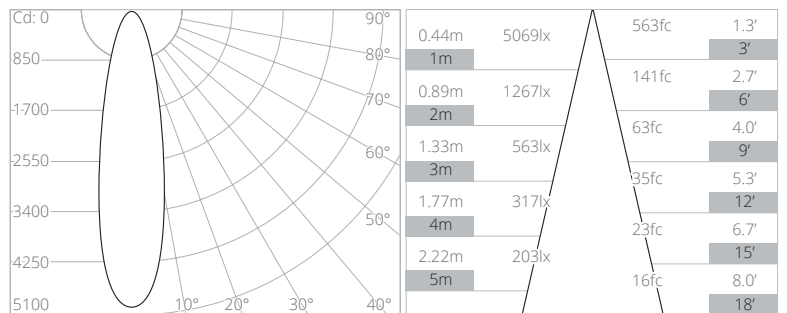
FWHM	25°	Category	IP20
Luminous Flux	1001 lm	Material	Cast Aluminium A383
Peak Intensity	5069 cd	Finishes	Black RAL9005 White RAL9016
CCT	2400K 2700K 3000K	Weight	270g 0.60lb
CRI Min.	92 - 2400K 98 - 2700K/3000K/3500K 95 - 4000K	Cutout	ø70mm (2.75")
Drive Current	700 mA	Movement	Pan 355° Tilt 35°
Nom. Voltage	18 V	Min Ceiling Void	25mm (1.00") clearance above
Max. Wattage	12.60 W	Accessories	Integral Louver Lenses 31mm
Dimming	0-10V DALI	TM65 TM66	13.59kgCO2e 2.2
Driver Type	Constant Current Remote	Lifetime	L90B10 50,000hrs 5 year warranty
Class	SELV Class III		

DIMENSIONS



PHOTOMETRY

CCT	Multiplier
2400K	x0.97
2700K	x0.93
3000K	x1.00
3500K	x1.05
4000K	x1.05



Data at 3000K

ORDER CODE

Model	Finish	CCT	Beam Angle
RCD-640	-	-	-
	TW White RAL 9016	2490 2400K 90CRI	NA Narrow 19°
	BK Black RAL 9005	2798 2700K 98CRI	ME Medium 25°
		3098 3000K 98CRI	WD Wide 37°
		3598 3500K 98CRI	VW Very Wide 50°
		4095 4000K 95CRI	

Example Code: RCD-640-TW-2798ME

*Premium & custom finishes are built to order, subject to an extended lead time & MOQ
See Drivers, Power Supplies and Accessories sections for further order codes

MINIMO CORE

37° WIDE BEAM

STATIC WHITE



OVERVIEW

Minimo Core is a Constant Current single source LED downlight that comes as standard in white and black with a pinhole aesthetic. It has four optic choices for flexible beam distribution and is fully adjustable with 355° pan and 35° tilt without breaking the ceiling line. The wide beam in our 12.60W 1200lm module has a peak intensity of 2473cd. The integral accessory holder can accommodate 31mm lenses and louvers up to 4mm thick.

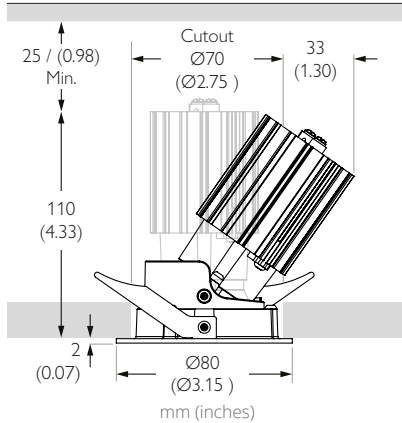
- UK PART L**
- Part L1A / L1B (Dwellings) ●
 - Part L2A (General)
 - Part L2A (Display) ●



PERFORMANCE

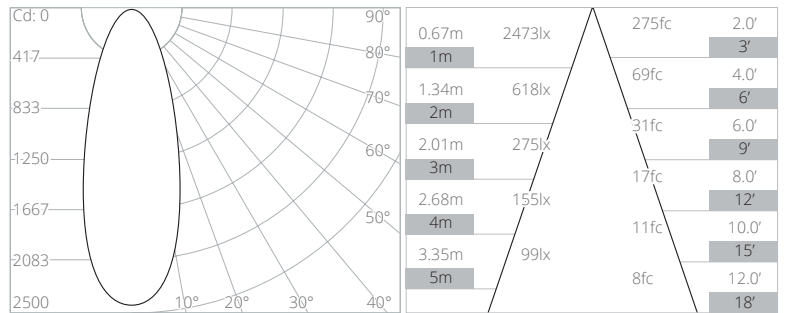
FWHM	37°	Category	IP20
Luminous Flux	997 lm	Material	Cast Aluminium A383
Peak Intensity	2473 cd	Finishes	Black RAL9005 White RAL9016
CCT	2400K 2700K 3000K	Weight	270g 0.60lb
CRI Min.	92 - 2400K 98 - 2700K/3000K/3500K 95 - 4000K	Cutout	ø70mm (2.75")
Drive Current	700 mA	Movement	Pan 355° Tilt 35°
Nom. Voltage	18 V	Min Ceiling Void	25mm (1.00") clearance above
Max. Wattage	12.60 W	Accessories	Integral Louver Lenses 31mm
Dimming	0-10V DALI	TM65 TM66	13.59kgCO2e 2.2
Driver Type	Constant Current Remote	Lifetime	L90B10 50,000hrs 5 year warranty
Class	SELV Class III		

DIMENSIONS



PHOTOMETRY

CCT	Multiplier
2400K	x0.97
2700K	x0.93
3000K	x1.00
3500K	x1.05
4000K	x1.05



Data at 3000K

ORDER CODE

Model	Finish	CCT	Beam Angle
RCD-640	-	-	-
	TW White RAL 9016	2490 2400K 90CRI	NA Narrow 19°
	BK Black RAL 9005	2798 2700K 98CRI	ME Medium 25°
		3098 3000K 98CRI	WD Wide 37°
		3598 3500K 98CRI	VW Very Wide 50°
		4095 4000K 95CRI	

Example Code: RCD-640-TW-2798WD

*Premium & custom finishes are built to order, subject to an extended lead time & MOQ
See Drivers, Power Supplies and Accessories sections for further order codes

MINIMO CORE

50° VERY WIDE BEAM

STATIC WHITE



OVERVIEW

Minimo Core is a Constant Current single source LED downlight that comes as standard in white and black with a pinhole aesthetic. It has four optic choices for flexible beam distribution and is fully adjustable with 355° pan and 35° tilt without breaking the ceiling line. The very wide beam in our 12.60W 1200lm module has a peak intensity of 1537cd. The integral accessory holder can accommodate 31mm lenses and louvers up to 4mm thick.

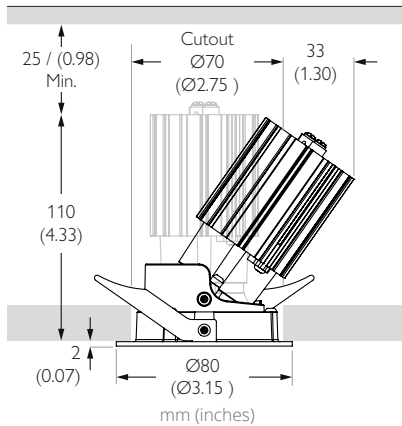
- UK PART L**
- Part L1A / L1B (Dwellings) ●
 - Part L2A (General)
 - Part L2A (Display) ●



PERFORMANCE

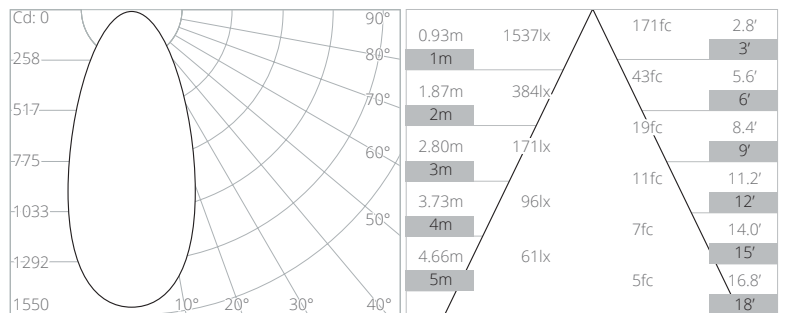
FWHM	50°	Category	IP20
Luminous Flux	912 lm	Material	Cast Aluminium A383
Peak Intensity	1537 cd	Finishes	Black RAL9005 White RAL9016
CCT	2400K 2700K 3000K	Weight	270g 0.60lb
CRI Min.	92 - 2400K 98 - 2700K/3000K/3500K 95 - 4000K	Cutout	ø70mm (2.75")
Drive Current	700 mA	Movement	Pan 355° Tilt 35°
Nom. Voltage	18 V	Min Ceiling Void	25mm (1.00") clearance above
Max. Wattage	12.60 W	Accessories	Integral Louver Lenses 31mm
Dimming	0-10V DALI	TM65 TM66	13.59kgCO2e 2.2
Driver Type	Constant Current Remote	Lifetime	L90B10 50,000hrs 5 year warranty
Class	SELV Class III		

DIMENSIONS



PHOTOMETRY

CCT	Multiplier
2400K	x0.97
2700K	x0.93
3000K	x1.00
3500K	x1.05
4000K	x1.05



Data at 3000K

ORDER CODE

Model	Finish	CCT	Beam Angle
RCD-640	-	-	-
	TW White RAL 9016	2490 2400K 90CRI	NA Narrow 19°
	BK Black RAL 9005	2798 2700K 98CRI	ME Medium 25°
		3098 3000K 98CRI	WD Wide 37°
		3598 3500K 98CRI	VW Very Wide 50°
		4095 4000K 95CRI	

Example Code: *RCD-640-TW-2798VW*

*Premium & custom finishes are built to order, subject to an extended lead time & MOQ
See Drivers, Power Supplies and Accessories sections for further order codes

DRIVERS

20W | DIMMING: DALI OR 0-10V

NO. OF LIGHTS PER DRIVER 1 to 2 in series

MIN DIM LEVEL 0.1%

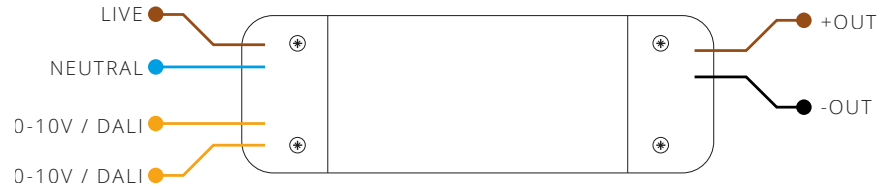
VOLTAGE REGION 230V

FOR NORTH AMERICA No

WATTAGE 20W

SUPPLY TYPE Constant Current

DRIVER LOCATION Remote



DALI CODE PSCC-20-700-D-EL

0-10V CODE PSCC-20-700-A-EL

LENGTH 160mm (6.30") WIDTH 41mm (1.63") HEIGHT 30mm (1.18")



30W | DIMMING: DALI OR 0-10V

NO. OF LIGHTS PER DRIVER 1 to 3 in series

MIN DIM LEVEL 0.1%

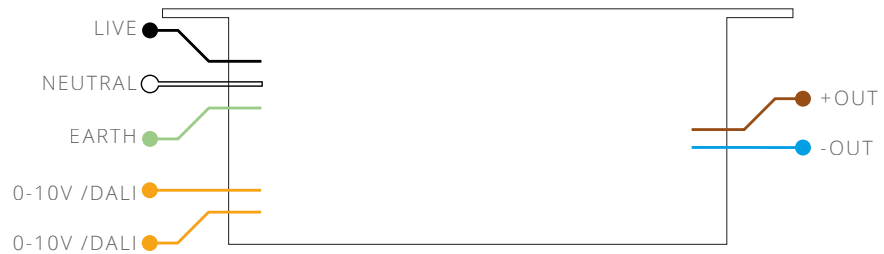
VOLTAGE REGION 120V

FOR NORTH AMERICA Yes

WATTAGE 30W

SUPPLY TYPE Constant Current

DRIVER LOCATION Remote



DALI CODE USCC-30-700-D-EL-ENC

0-10V CODE USCC-30-700-A-EL-ENC

LENGTH 348mm (13.7") WIDTH 65mm (2.6") HEIGHT 47mm (1.9")



12W | DIMMING: PHASE

NO. OF LIGHTS PER DRIVER 1

MIN DIM LEVEL 1%

VOLTAGE REGION 120V

FOR NORTH AMERICA Yes

WATTAGE 12W

SUPPLY TYPE Constant Current

DRIVER LOCATION Remote



PHASE CODE USCC-12-700-P-HT-ENC

LENGTH 247mm (9.7") WIDTH 65mm (2.6") HEIGHT 47mm (1.9")

