

# DAGGER

SUSPENDED



**Dagger - Suspended Linear LED system.** Wherever a technically straightforward, economic linear lighting is needed, DAGGER is the ideal solution. The flexible LED modules are available in pre-assembled configurations in defined lengths and can be built to any special length for the clients requirements. This not only offers tremendous advantages for installation but also ensures the look you designed the linear lighting into the space.

## Ordering Code

Fixture **565** **136**

1 2 3 4 5 6 7 8 9

## Product Specifications

**SAMPLE : Fixture 565 - 136 - 500 - 02 - LO - 27 - 5 - 6'**

1 - Type	2 - Model	3 - Lens	4 - LED Style*1			
<b>565</b> · Profile	<b>136</b> · Dagger Suspended	<b>500</b> · Frosted <b>502</b> · Clear <b>512</b> · Black	Static White	Dynamic Color*2		
			<b>LO1W</b> · LLHE48LO-1W 1 Watt <b>LO</b> · LLHE48LO Low Output <b>SO</b> · LLHE48SO Standard Output <b>MO</b> · LLHE48MO Medium Output <b>HO</b> · LLHE48HO High Output <b>VHO</b> · LLHE64MO Very High Output <b>XHO</b> · LLHE64HO Max Output <b>271</b> · 271 Style LED Strip*5	<b>DWSO</b> · LLDW68SO Dynamic White Standard Output <b>DWHO</b> · LLDW68HO Dynamic White High Output <b>RGBSO</b> · LLRGB42SO Color changing Standard Output <b>RGBHO</b> · LLRGB42HO Color changing High Output <b>RGBWSO</b> · LL-RGBW36-SO Color changing Standard Output <b>RGBWHO</b> · LL-RGBW36-HO Color changing High Output		
5 - CCT	6 - Finish	7 - Backplate	8 - Suspension Length	9 - Fixture Length*3		
Static White <b>22</b> · 2200K <b>25</b> · 2500K <b>27</b> · 2700K <b>30</b> · 3000K <b>35</b> · 3500K <b>40</b> · 4000K	Dynamic Color*2 <b>1935</b> · 1900K - 3500K*4 <b>98</b> · RGB Color changing <b>99</b> · RGB+W Color changing	<b>01</b> · White <b>02</b> · Black*3 <b>08</b> · Silver*3 <b>XX</b> · Custom	<b>0</b> · None <b>B</b> · Backplate	<b>5</b> · 5' <b>8</b> · 8' <i>Contact SENSO for custom length</i>	<b>XX</b> · Custom (XX.XX)  <i>Continuous runs will be made in equal sections no more than 8' long</i>  <b>NOTE:</b> For Channels and Lenses over 90", incremental shipping charges will apply	

\*1 Refer to page 2 for LED cut length intervals and available CCT

\*2 DMX driver required

\*3 Anodized finish

\*4 Please ask about different CCT ranges

\*5 Only available in 3500K

## LED Technical Information

	STYLE	WATT/FT	DELIVERED LM/FT CLEAR	DELIVERED LM/FT FROSTED	DELIVERED LM/FT BLACK	CRI	MAX. LENGTH	Color TEMPERATURE
<b>Static White</b>	<b>LLHE48LO-1W</b>	1.0	98	88	25	92	60'	2200K, 2500K, 2700K, 3000K, 3500K, 4000K
	<b>LLHE48LO</b>	1.9	198	176	49	92	48'	
	<b>LLHE48SO</b>	2.8	282	252	70	92	42'	
	<b>LLHE48MO</b>	3.5	377	336	94	92	33'	
	<b>LLHE48HO</b>	7.3	604	539	151	92	21'	
	<b>LLHE64VHO</b>	7.5	893	799	247	92	15'	
	<b>LLHE64XHO</b>	9.6	1078	956	295	92	13'	
	<b>271</b>	7.3	686	612	171	90	9.8'	
<b>Dynamic Color</b>	<b>LLDW68SO-1935</b>	4.1	258	230	64	95	32'	1900K - 3500K
	<b>LLDW68HO-1935</b>	5.2	326	291	81	96	32'	
	<b>LLRGB42SO</b>	4.4	156	139	39	---	28'	Red/Green/Blue
	<b>LLRGB42HO</b>	7.7	242	216	60	---	28'	
	<b>LLRGBW36SO</b>	4.1	165	147	41	97	26'	Red/Green/Blue White LED 97 CRI / 3000K
	<b>LLRGBW36HO</b>	7.6	295	263	73	97	26'	

\* Lumen output calculations based on 3500K.  
For LED strip information, See the page for:

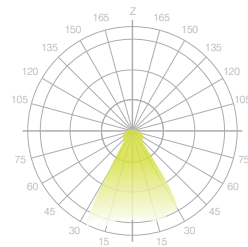
LLHE48 & 64 [HERE](#)  
LLDW68 [HERE](#)  
LLRGB42 [HERE](#)  
LLRGBW36 [HERE](#)

## Lens/Light Distribution

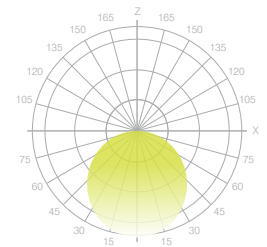
part number **500** (frosted 65% transparent)  
**502** (clear 95% transparent)

- PMMA construction
- Easily clipped in profile
- Comes precut to match profile length
- Flush

**Clear Lens**



**Frosted Lens**



# DAGGER

SUSPENDED

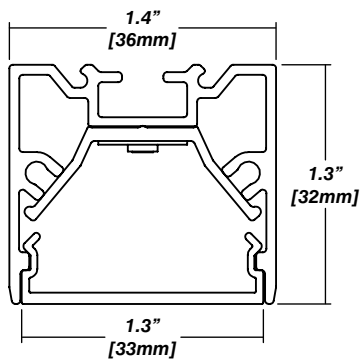
## Installation

- Factory assembled for easy and fast installation
- Easy wiring, profiles sections connect directly to each other via connectors (or using a connector equipped jumped wire)
- Caps included

## Construction

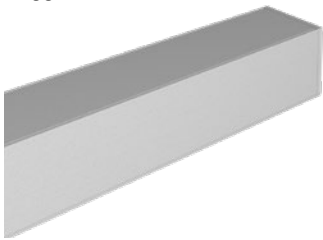
- Powder coated in white, black or silver
- Housing: Aluminum extrusion
- Made in Canada

## Dimensions



## Backplate

Dagger with Lid



Dagger without Lid



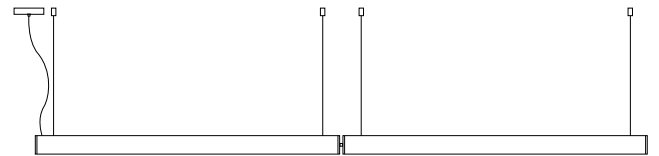
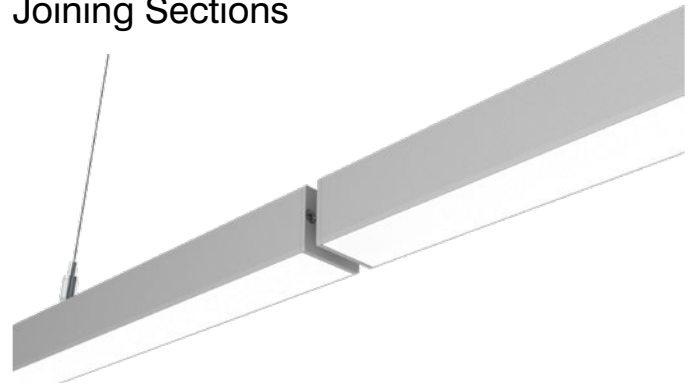
## Remote Driver Canopy

part number **921**

- Aluminum feed canopy
- Aircraft cable holder
- For remote driver mounting only
- W - Ø5" [125mm]
- H - 0.65" [16.7mm]



## Joining Sections



## Universal Power Supply 1% 120VAC - 277VAC

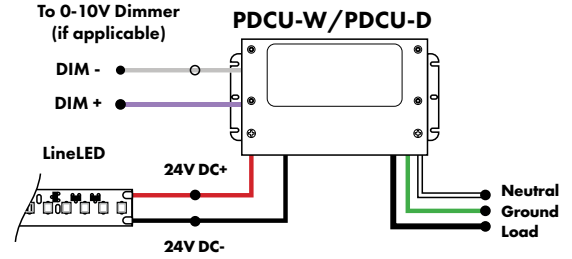
Universal Power Supply 1% 120VAC - 277VAC

MODEL	POWER	OUTPUT
PDCU-D - IP20 Dry Series	30 - 30 W 60 - 60 W 96 - 96 W	24 - 24 VDC

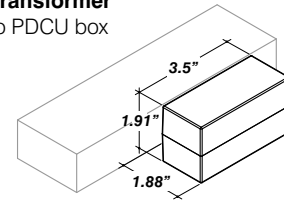
PDCU-W - IP66 Wet Series 96 - 96 W

0-10V dims down to 1%, MLV/ELV/TRIAC dims down to 1%.  
Contact Senso to specify 347V transformer.  
For a complete details on the Universal Power Supply, see Spec Sheet, Compatible Dimming and Install Guide on the [Resources page](#).

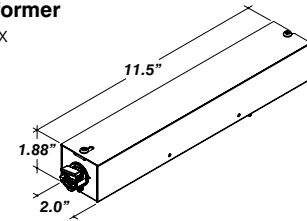
MODELS	PDCU-W 96W	PDCU-D 30W	PDCU-D 60W	PDCU-D 96W
Length	8.66"	6.10"	7.93"	8.25"
Width	3.73"	3.35"	3.35"	4.10"
Depth	1.61"	1.33"	1.32"	1.56"



**30W/60W 347V Transformer**  
attaches directly to PDCU box



**96W 347V Transformer**  
wired to PDCU box



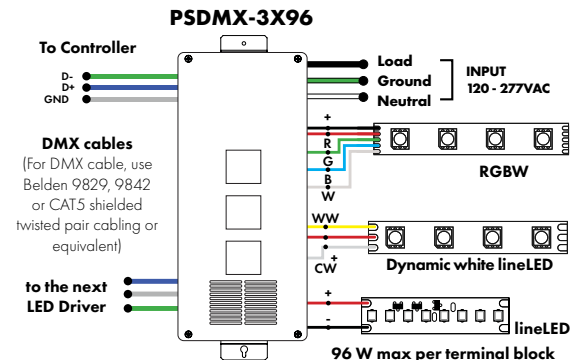
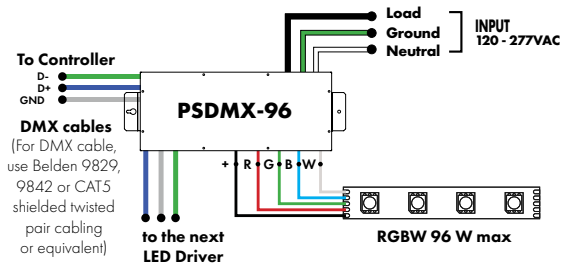
## DMX Dimming Power Supply 120VAC - 277VAC

DMX Dimming Power Supplies 120VAC - 277VAC

MODEL	POWER	OUTPUT
PSDMX - DMX Power Supply dims down to 0%	96 - 96 Watt 3X96 - 3 X 96 Watt	24 - 24 VDC

Features eldoLED's LINEARdrive configurable dimmable drivers. For a complete details on the DMX Dimming Power Supply, see Spec Sheet on the [Resources page](#).

MODELS	96W	3X96
Length	14.40"	15.75"
Width	5.20"	6.62"
Depth	2.60"	4.95"



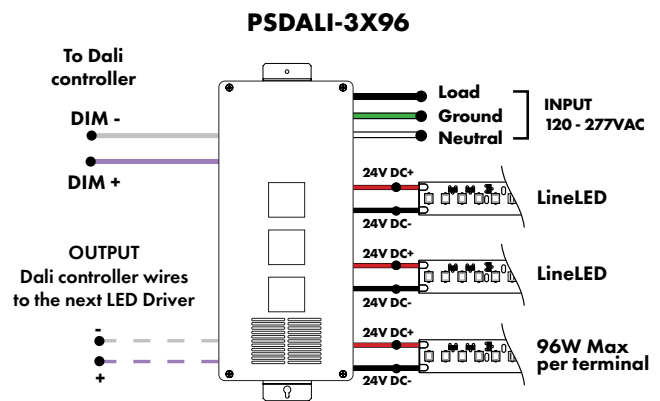
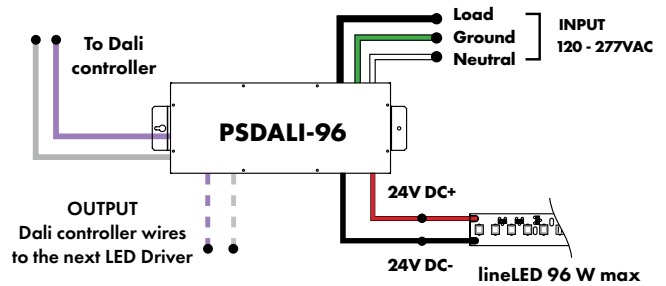
## DALI 0% Dimming Power Supplies 120VAC - 277VAC

DALI 0% Dimming Power Supplies 120VAC - 277VAC

MODEL	POWER	OUTPUT
PSDALI - DALI Power Supply dims down to 0%	96 - 96 Watt 3X96 - 3 X 96 Watt	24 - 24 VDC

Features eldoLED's LINEARdrive configurable dimmable drivers

Model	96W	3X96
Length	14.40"	15.75"
Width	5.20"	6.62"
Depth	2.60"	4.95"



## LUTRON®

Luminii is a Lutron OEM Advantage Partner

Lutron Power Supplies 1%

MODEL

LTEA4U1UKL-CV240

Lutron - Hi-lume™ 1% 2-wire LED Driver  
40W max

(120V forward phase only)

MODEL

L3DA4U1UKL-CV240

Hi-lume™ 1% EcoSystem Voltage LED driver  
40W max

MODELS	LTEA4U1UKL-CV240	L3DA4U1UKL-CV240
Length	4.89"	4.98"
Width	4.00"	4.00"
Depth	2.62"	2.62"

For a complete details on the Lutron Power Supply, see Spec Sheet and Install Guide on the [Resources page](#).

## LUTRON®

Luminii is a Lutron OEM Advantage Partner

Lutron Power Supplies 0.1%

MODEL

L3D0-96W24V-U

Hi-lume™ 0.1% EcoSystem Voltage LED Driver with Soft-On, Fade-to-Black™  
96W max

MODELS	L3D0
Length	10.50"
Width	5.50"
Depth	2.00"

