



Features

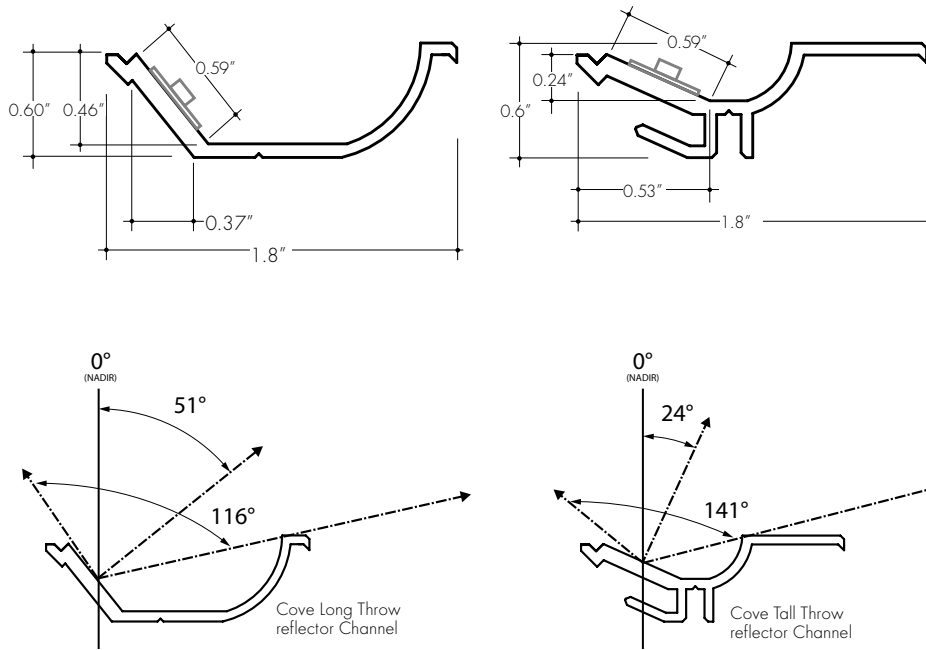
The Cove Channel aluminum extrusion has been designed to fit into a cove applications. Multiple reflector options allow for great flexibility and adaptability for any application. Extrusion is field cuttable. Substantial aluminum mass in profile provides excellent heat sink for high power LEDs.

Finish
Silver anodized

Warranty
7 Years

Declare. MADE IN U.S.A.

Product Dimensions



Ordering Code

MODEL	LENGTH	FINISH
CLTC - Long Throw Reflector CTTC - Tall Throw Reflector	72 - 72" 144 - 144" ¹	SA - Silver anodized

1 - For Channels over 96", incremental shipping charges will apply.