

## Features

- 24VDC Class 2 fixtures made to order up to 144".
- Comes with 8ft silver adjustable cable
- Single micro binned LEDs +/- 30 CCT
- Class 2 listed for damp locations
- Dot free even illumination
- Proprietary strong bond solder method handles up to 50 lbs of pull force on wire leads and connectors
- Vibrant Color options offer premium quality and vibrant colors with R9 values up to 98
- High Efficacy options offer best in class output and efficacy with over 850 lm/ft and up to 101 lm/W
- Average Life (L70): 50,000hrs
- 7 year warranty

## Finish Options (see page 2 for additional information)

Base	<input type="checkbox"/> Silver Anodized
Powder Coat	<input type="checkbox"/> Black <input type="checkbox"/> Bronze <input type="checkbox"/> White
Premium	<input type="checkbox"/> Matte Black <input type="checkbox"/> Warm Nickel <input type="checkbox"/> Aged Brass <input type="checkbox"/> Polished Gold <input type="checkbox"/> Chrome



## Technical Information

TYPE	Vibrant Color VC72						
OUTPUT OPTIONS	VC72VLO	VC72LO	VC72SO	VC72MO	VC72HO	VC72VHO	VC72XHO
Lumens Output (3000K) (with a Frosted Lens)	80 lm/ft	204 lm/ft	272 lm/ft	359 lm/ft	434 lm/ft	578 lm/ft	689 lm/ft
Average Power Consumption (for a 4' section)	1.1 W/ft	2.8 W/ft	3.7 W/ft	4.9 W/ft	5.9 W/ft	7.9 W/ft	9.9 W/ft
Efficacy	73 lm/W	73 lm/W	74 lm/W	73 lm/W	74 lm/W	73 lm/W	70 lm/W
Max Run Length (in series)	56.9 ft	32 ft	28 ft	24 ft	21 ft	18 ft	12 ft
Ambient Operating Temperature Range*	-4°F - 122°F (-20°C - 50°C)				-4°F - 104°F (-20°C - 40°C)		-4°F - 86°F (-20°C - 30°C)

\* Ambient Operating Temperature Range to maintain L70 of 50k+ hours in normal mounting conditions for the fixture. Exceeding Ambient Operating Temperature Range may result in decreased life/output. Consult Technical Support for specific inquiries.

TYPE	High Efficacy HE64						
OUTPUT OPTIONS	HE64VLO	HE64LO	HE64SO	HE64MO	HE64HO	HE64VHO	HE64XHO
Lumens Output (3000K) (with a Frosted Lens)	89 lm/ft	192 lm/ft	275 lm/ft	365 lm/ft	519 lm/ft	712 lm/ft	857 lm/ft
Average Power Consumption (for a 4' section)	1 W/ft	1.9 W/ft	2.9 W/ft	3.8 W/ft	5.6 W/ft	7.1 W/ft	8.9 W/ft
Efficacy	89 lm/W	101 lm/W	95 lm/W	96 lm/W	93 lm/W	100 lm/W	96 lm/W
Max Run Length (in series)	90 ft	55 ft	34.9 ft	26 ft	17 ft	13 ft	10.3 ft
Ambient Operating Temperature Range*	-4°F - 122°F (-20°C - 50°C)				-4°F - 113°F (-20°C - 45°C)		-4°F - 95°F (-20°C - 35°C)

\* Ambient Operating Temperature Range to maintain L70 of 50k+ hours in normal mounting conditions for the fixture. Exceeding Ambient Operating Temperature Range may result in decreased life/output. Consult Technical Support for specific inquiries.

CCT	Multiplier (ref. - 30K)	TM-30			
		CRI	R <sub>f</sub>	R <sub>g</sub>	R <sub>9</sub>
1800K	0.50	95	94	99	86
2200K	0.66	96	94	101	95
2400K	0.90	98	96	101	91
2700K	0.93	98	96	102	93
3000K	1.00	97	94	104	99
3500K	1.04	96	94	105	97
4100K	1.05	97	95	104	96

CCT	Multiplier (ref. - 30K)	TM-30			
		CRI	R <sub>f</sub>	R <sub>g</sub>	R <sub>9</sub>
2200K	0.74	94	91	96	65
2400K	0.87	94	92	97	56
2700K	0.97	94	92	100	57
3000K	1.00	93	91	99	54
3500K	1.01	95	91	99	62
4000K	1.04	95	91	99	68

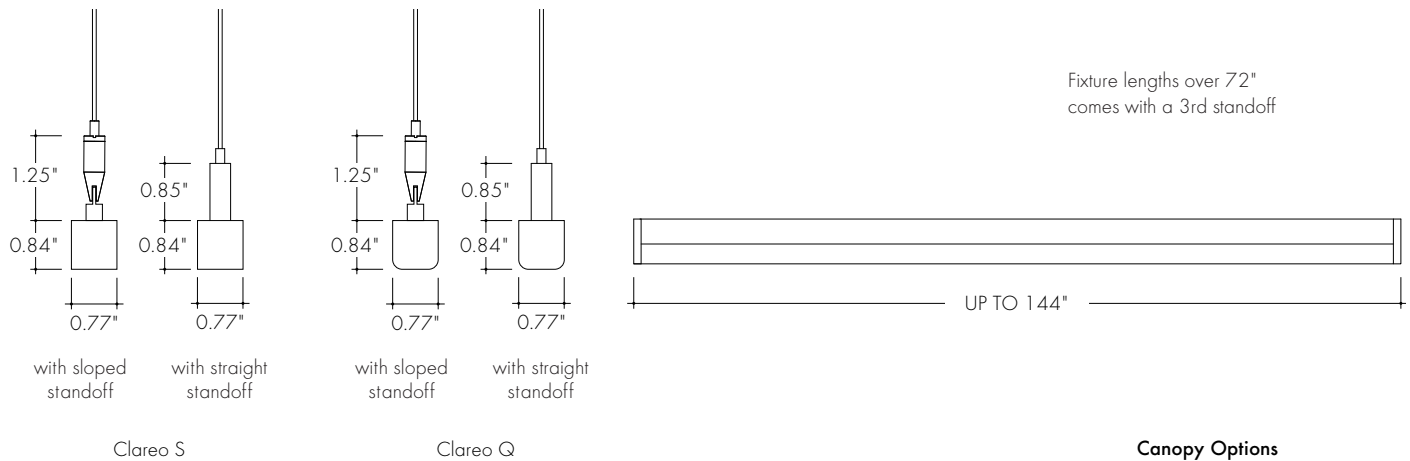
## Ordering Code

MODEL	LENGTH <sup>1</sup>	OUTPUT <sup>2</sup>	CCT	LENS	STANDOFF TYPE	FINISH <sup>3,4</sup>	POWER FEED
CLS-Clareo S CLQ-Clareo Q	12"-144" 1" increments	VC72VLO - Very Low VC72LO - Low VC72SO - Standard VC72MO - Medium VC72HO - High VC72VHO - Very High VC72XHO - Extreme	18K-1800K 22K-2200K 24K-2400K 27K-2700K 30K-3000K 35K-3500K 41K-4100K	F-Frosted	S-Straight P-Sloped	BASE SA-Silver Anodized  POWDER COAT BK-Black BZ-Bronze WH-White  PREMIUM MBK-Matte Black WN-Warm Nickel AB-Aged Brass PG-Polished Gold <sup>5</sup> CH-Chrome <sup>5</sup>	R-Remote power supply
	12"-144" 2" increments	HE64VLO - Very Low HE64LO - Low HE64SO - Standard HE64MO - Medium HE64HO - High HE64VHO - Very High HE64XHO - Extreme	22K-2200K 24K-2400K 27K-2700K 30K-3000K 35K-3500K 40K-4000K				

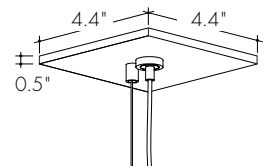
1 - Custom lengths and increments are available, please consult Inside Sales with specific request.  
2 - Title 24 JA8 achievable depending on Output, CCT, and Lens selections. See multiplier charts to calculate specific efficacies.  
3 - Non Base finishes may have extended lead times. Custom RALs are available, please consult Inside Sales with specific request.

4 - White canopy included with all finishes except Black and Matte Black, which include a Black canopy.  
5 - Polished Gold finishes and Chrome finishes have a maximum fixture length of 96".

**Product Dimensions**

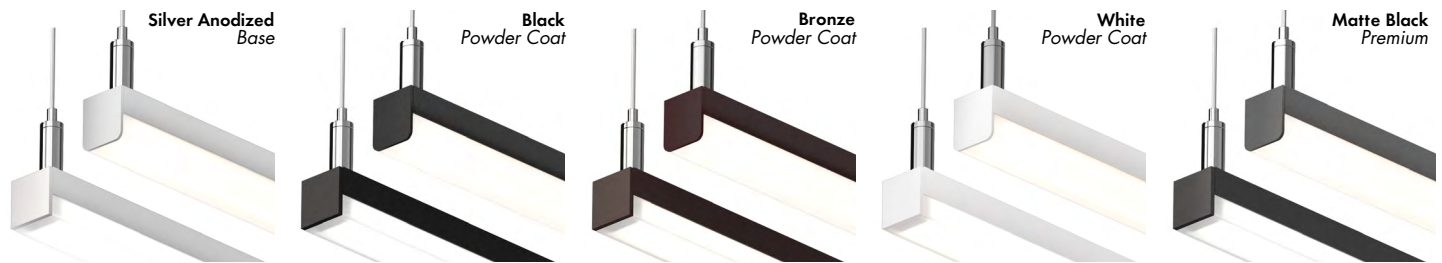


**Canopy Options**



**Finish Options**

- Finish options are available in a wide variety, allowing for complete customization of style and aesthetic.
- Non Base finishes may have extended lead times and price adder.
- Polished Gold and Chrome finishes have a maximum fixture length of 96".
- Custom RALs are available, please consult Inside Sales with specific request.



Silver Anodized is a soft silver with a clear finish.

Black is a true deep black with a glossy finish.

Bronze is a rich, dark brown with a satin finish.

White is a polar bright white and field paintable.

Matte Black is a dark, pitch-black with a soft flat finish.



Warm Nickel is a soft, silvery smoke with warm tones and a satin finish.

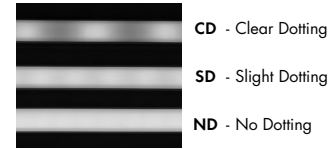
Aged Brass is a deep brown shade with slightly golden undertones.

Polished Gold is bright and radiant for a brilliant finish.

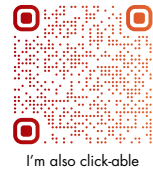
Chrome is a highly reflective silver polish.

Light Transmission and Dotting

Output Options	Lens/Accessory							
	CLQ Frosted Lens				CLS Frosted Lens			
Dimming Level	100%	50%	10%	1%	100%	50%	10%	1%
VC72VLO	ND	ND	ND	ND	ND	ND	ND	ND
VC72LO	ND	ND	ND	ND	ND	ND	ND	ND
VC72SO	ND	ND	ND	ND	ND	ND	ND	ND
VC72MO	ND	ND	ND	ND	ND	ND	ND	ND
VC72HO	ND	ND	ND	ND	ND	ND	ND	ND
VC72VHO	ND	ND	ND	ND	ND	ND	ND	ND
VC72XHO	ND	ND	ND	ND	ND	ND	ND	ND
HE64VLO	ND	ND	ND	ND	ND	ND	ND	ND
HE64LO	ND	ND	ND	ND	ND	ND	ND	ND
HE64SO	ND	ND	ND	ND	ND	ND	ND	ND
HE64MO	ND	ND	ND	ND	ND	ND	ND	ND
HE64HO	ND	ND	ND	ND	ND	ND	ND	ND
HE64VHO	ND	ND	ND	ND	ND	ND	ND	ND
HE64XHO	ND	ND	ND	ND	ND	ND	ND	ND
<b>Transmission Percentage</b>	100%				100%			

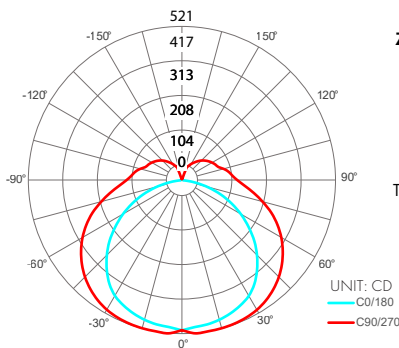


Use complete Dotting Chart Tool online for more dotting information



Photometry

CLQ-48-VC72VHO-30K-F  
Clareo Q, 4ft, VHO, 3000K, Frosted Lens



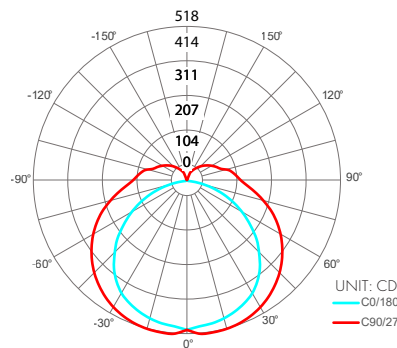
Zonal Lumen Summary 3000K

Zone	Lumen	% Fixture
0-30	110	19%
0-40	185	32%
0-60	345	60%
0-90	494	86%
Total 0-180	578	100%



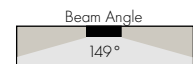
UNIT: CD  
C0/180  
C90/270

CLS-48-VC72VHO-30K-F  
Clareo S, 4ft, VHO, 3000K, Frosted Lens



Zonal Lumen Summary 3000K

Zone	Lumen	% Fixture
0-30	107	19%
0-40	181	31%
0-60	340	59%
0-90	487	84%
Total 0-180	578	100%



UNIT: CD  
C0/180  
C90/270

**Power Consumption**

Please visit the link/QR code below to access the Luminii Power Consumption Chart tool on our website.

There you will be able to select your fixture, output, and desired power feed to get a full power consumption table.



I'm also click-able

Desired Nominal Length: \_\_\_\_\_

Desired Output: \_\_\_\_\_

Desired CCT: \_\_\_\_\_

**Voltage Drop Calculator**

The below chart assumes nominal voltage of 24 Volts and a Voltage Drop Allowance of 3% through the wire

Wattage [W]	Maximum Wire Length From Power Supply to Start of Run [ft]						
	12 AWG	14 AWG	16 AWG	18 AWG	20 AWG	22 AWG	24 AWG
5	1088.2	684.4	430.3	270.6	170.2	107.1	67.3
10	544.1	342.2	215.1	135.3	85.1	53.5	33.7
15	362.7	228.1	143.4	90.2	56.7	35.7	22.4
20	272.0	171.1	107.6	67.7	42.6	26.8	16.8
25	217.6	136.9	86.1	54.1	34.0	21.4	13.5
30	181.4	114.1	71.7	45.1	28.4	17.8	11.2
35	155.5	97.8	61.5	38.7	24.3	15.3	9.6
40	136.0	85.5	53.8	33.8	21.3	13.4	8.4
45	120.9	76.0	47.8	30.1	18.9	11.9	7.5
50	108.8	68.4	43.0	27.1	17.0	10.7	6.7
55	98.9	62.2	39.1	24.6	15.5	9.7	6.1
60	90.7	57.0	35.9	22.6	14.2	8.9	5.6
65	83.7	52.6	33.1	20.8	13.1	8.2	5.2
70	77.7	48.9	30.7	19.3	12.2	7.6	4.8
75	72.5	45.6	28.7	18.0	11.3	7.1	4.5
80	68.0	42.8	26.9	16.9	10.6	6.7	4.2
85	64.0	40.3	25.3	15.9	10.0	6.3	4.0
90	60.5	38.0	23.9	15.0	9.5	5.9	3.7
96	56.7	35.6	22.4	14.1	8.9	5.6	3.5

## Power Supplies

See Power Supply instructions and spec sheet for wiring information. For a complete list of compatible dimmers, see Compatible Dimming Chart on the Resources page.

### For use with Static White

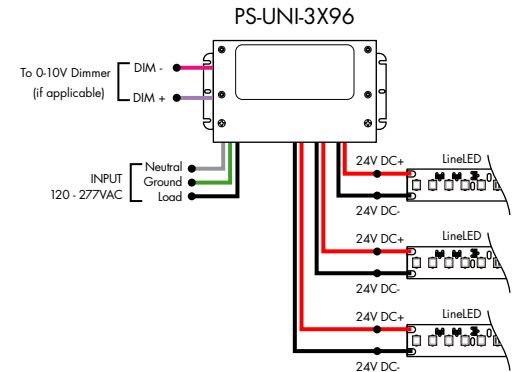
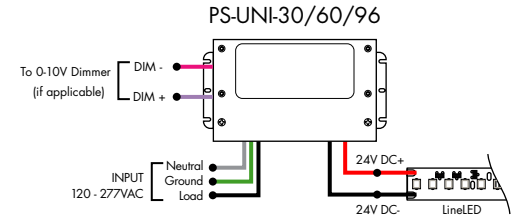
#### Ordering Code - Universal Dimming Power Supplies 0.1% 120VAC - 277VAC

MODEL	INPUT CONTROL	WATTAGE	OUTPUT
PS - Power Supply, 120-277VAC	UNI - 0-10V Dimming (0.1%), Phase Dimming (0.1%)	30 - 30 Watts 60 - 60 Watts 96 - 96 Watts 3x96 - 3x96 Watts	24 - 24 VDC

Compatibility: View a complete list of compatible dimmers on the PS-UNI product page.

0-10V - 0.1% dimming  
MLV/ELV/TRIAC - 0.1% dimming, consult dimming compatibility chart

MODELS	PS-UNI-30W	PS-UNI-60W	PS-UNI-96W	PS-UNI-3X96W
<b>Length</b>	6.50"	7.40"	8.66"	11.85"
<b>Width</b>	3.73"	3.73"	3.73"	4.32"
<b>Depth</b>	1.61"	1.61"	1.61"	1.81"

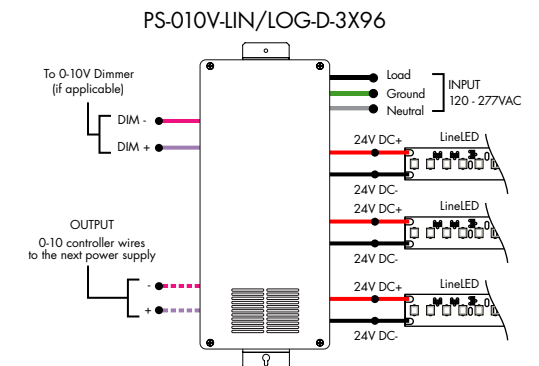
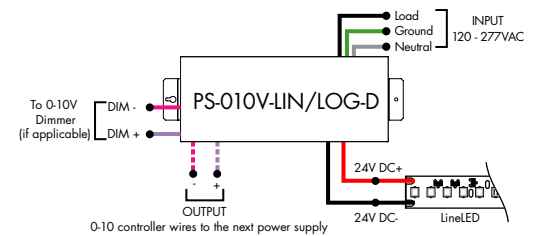


### For use with Static White

#### Ordering Code - 0-10V Dimming Power Supplies 0.1% 120VAC - 277VAC

MODEL	INPUT CONTROL	ENVIRONMENT	WATTAGE	OUTPUT
PS - Power Supply, 120-277VAC	010V-LIN - 0-10V Dimming (0.1%), Linear 010V-LOG - 0-10V Dimming (0.1%), Logarithmic	D - Dry	96 - 96 Watts 3x96 - 3x96 Watts	24 - 24 VDC

MODELS	96W	3X96
<b>Length</b>	14.40"	15.00"
<b>Width</b>	5.20"	6.62"
<b>Depth</b>	2.60"	4.45"



## Power Supplies

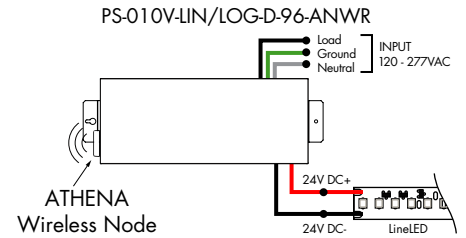
See Power Supply instructions and spec sheet for wiring information. For a complete list of compatible dimmers, see Compatible Dimming Chart on the Resources page.

### For use with Static White

#### Ordering Code - Athena 0-10V LED Driver

MODEL	INPUT CONTROL	ENVIRONMENT	WATTAGE	OUTPUT	FEATURE
PS-Power Supply, 120-277VAC	010V-LIN-0-10V Dimming (0.1%), Linear	D-Dry	96-96 Watts	24-24 VDC	AWNR-Athena Wireless Node
	010V-LOG-0-10V Dimming (0.1%), Logarithmic				

MODELS	96W
Length	14.40"
Width	5.20"
Depth	2.60"

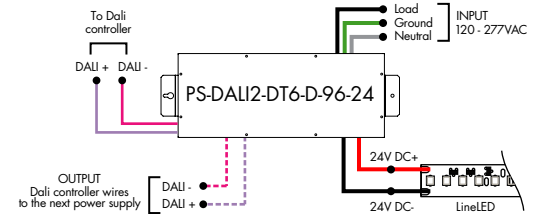


### For use with Static White

#### Ordering Code - DALI 2 Dimming Power Supplies 0.1% 120VAC - 277VAC

MODEL	INPUT CONTROL	ENVIRONMENT	WATTAGE	OUTPUT
PS-Power Supply, 120-277VAC	DALI2-DT6-DALI2 DT6 (0.1%)	D-Dry	96-96 Watts	24-24 VDC

Model	96W
Length	14.40"
Width	5.20"
Depth	2.60"

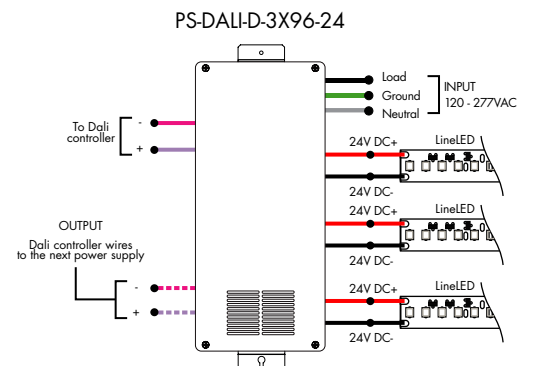
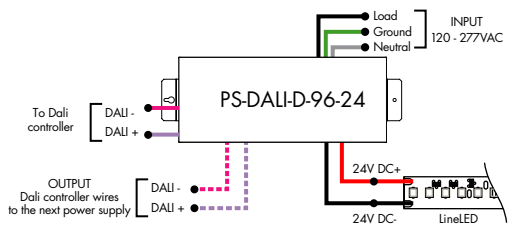


### For use with Static White

#### Ordering Code - DALI Dimming Power Supplies 0.1% 120VAC - 277VAC

MODEL	INPUT CONTROL	ENVIRONMENT	WATTAGE	OUTPUT
PS-Power Supply, 120-277VAC	DALI-DALI (0.1%)	D-Dry	96-96 Watts 3x96-3x96 Watts	24-24 VDC

Model	96W	3X96
Length	14.40"	15.00"
Width	5.20"	6.62"
Depth	2.60"	4.56"



## Power Supplies

See Power Supply instructions and spec sheet for wiring information. For a complete list of compatible dimmers, see Compatible Dimming Chart on the Resources page.

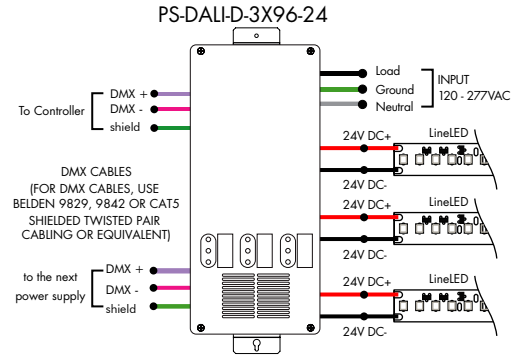
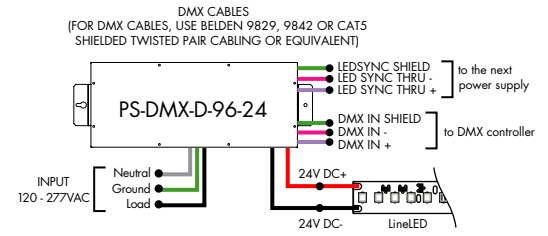
### For use with Static White

#### Ordering Code - DMX Dimming Power Supplies 0.1% 120VAC - 277VAC

MODEL	INPUT CONTROL	ENVIRONMENT	WATTAGE	OUTPUT
PS-Power Supply, 120-277VAC	DMX-DMX (0.1%)	D-Dry	96-96 Watts 3x96-3x96 Watts	24-24 VDC

MODELS	96W	3X96
Length	14.40"	15.00"
Width	5.20"	6.62"
Depth	2.60"	4.56"

ZONAL CONTROL POWER SUPPLIES.  
CONTROL MULTIPLE TAPES/ZONES USING DMX CHANNELS.

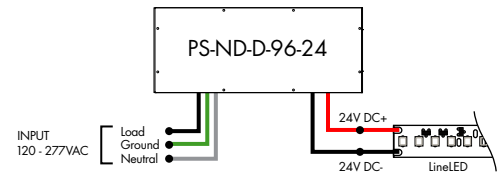


### For use with Static White

#### Ordering Code - Non-Dimming Power Supply, 120VAC - 277VAC

MODEL	INPUT CONTROL	ENVIRONMENT	WATTAGE	OUTPUT
PS-Power Supply, 120-277VAC	ND-Non Dimming	D-Dry	96-96 Watts	24-24 VDC

MODELS	96W
Length	14.40"
Width	5.20"
Depth	2.60"

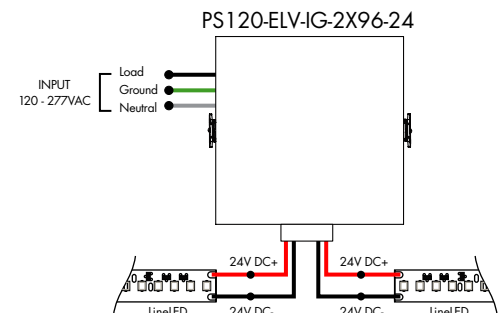


### For use with Static White

#### Ordering Code - In-Ground Power Supplies

MODEL	INPUT CONTROL	ENVIRONMENT	WATTAGE	OUTPUT
PS120-Power Supply, 120VAC PS240-Power Supply, 240VAC PS277-Power Supply, 277VAC	ELV-ELV Dimming (1%)	IG-In Ground	2X96-2X96 Watts	24-24 VDC

MODELS	2X96W
Length	8.40"
Width	8.30"
Depth	8.10"



### Power Supplies

See Power Supply instructions and spec sheet for wiring information. For a complete list of compatible dimmers, see Compatible Dimming Chart on the Resources page.



Luminii is a Lutron OEM Advantage Partner

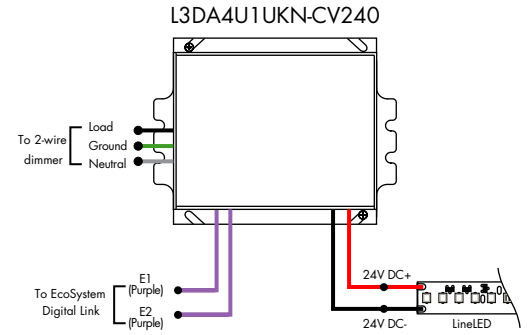
Lutron Power Supplies 1%

MODEL

**L3DA4U1UKL-CV240**

HiLume™ 1% EcoSystem Voltage LED driver 40W max

MODELS	L3DA4U1UKL-CV240
<b>Length</b>	4.98"
<b>Width</b>	4.00"
<b>Depth</b>	2.62"



Luminii is a Lutron OEM Advantage Partner

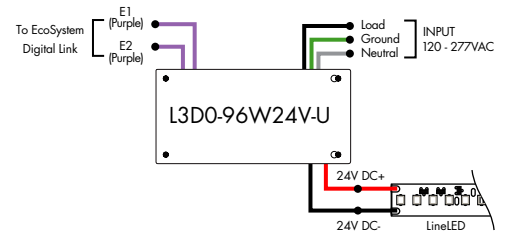
Lutron Power Supplies 0.1%

MODEL

**L3D0-96W24V-U**

HiLume™ 0.1% EcoSystem Voltage LED Driver with Soft-On, Fade-to-Black™ 96W max

MODELS	L3D0
<b>Length</b>	10.50"
<b>Width</b>	5.50"
<b>Depth</b>	2.00"



## Power Supplies

See Power Supply instructions and spec sheet for wiring information. For a complete list of compatible dimmers, see Compatible Dimming Chart on the Resources page. Use options below for Integral power supplies.

### For use with INT120

MODEL		Input Ratings	
<b>LTEA4U1UKN-CV240</b>		<b>Voltage</b>	120 VAC
HiLume™ 1% 1% / 2-Wire LED Driver Forward-Phase / 40W 24VDC		<b>Frequency</b>	50/60 Hz
		<b>Current</b>	0.37 A @ 120 VAC
MODELS		Output Ratings	
<b>LTEA4U1UKN-CV240</b>		<b>Voltage</b>	24 VDC
<b>Length</b>	4.98"	<b>Wattage</b>	40 W Max
<b>Width</b>	4.00"		
<b>Depth</b>	2.62"		

### For use with INTECO

MODEL		Input Ratings	
<b>L3DA4U1UKN-CV240</b>		<b>Voltage</b>	120-277 VAC
HiLume™ 1% EcoSystem / 3-Wire L3D Driver / 40W 24VDC		<b>Frequency</b>	50/60 Hz
		<b>Current</b>	0.37 A @ 120 VAC 0.17 A @ 277 VAC
MODELS		Output Ratings	
<b>L3DA4U1UKN-CV240</b>		<b>Voltage</b>	24 VDC
<b>Length</b>	4.98"	<b>Wattage</b>	40 W Max
<b>Width</b>	4.00"		
<b>Depth</b>	2.62"		

### For use with INT277

MODEL		Input Ratings	
<b>TE60WD24LED</b>		<b>Voltage</b>	277 VAC
277VAC Input, 50/60 Hz, 0.2A Input Current, ELV Dimming		<b>Frequency</b>	50/60 Hz
		<b>Current</b>	0.20 A
MODELS		Output Ratings	
<b>TE60WD24LED</b>		<b>Voltage</b>	24 VDC
<b>Length</b>	4.21"	<b>Wattage</b>	60 W Max
<b>Width</b>	1.75"		
<b>Depth</b>	0.96"		