

Features

Basics Contractor-Grade x-large extrusions compatible with Basics LED strips.

Finish

Silver anodized Channel

Mounting

Multiple mounting clip

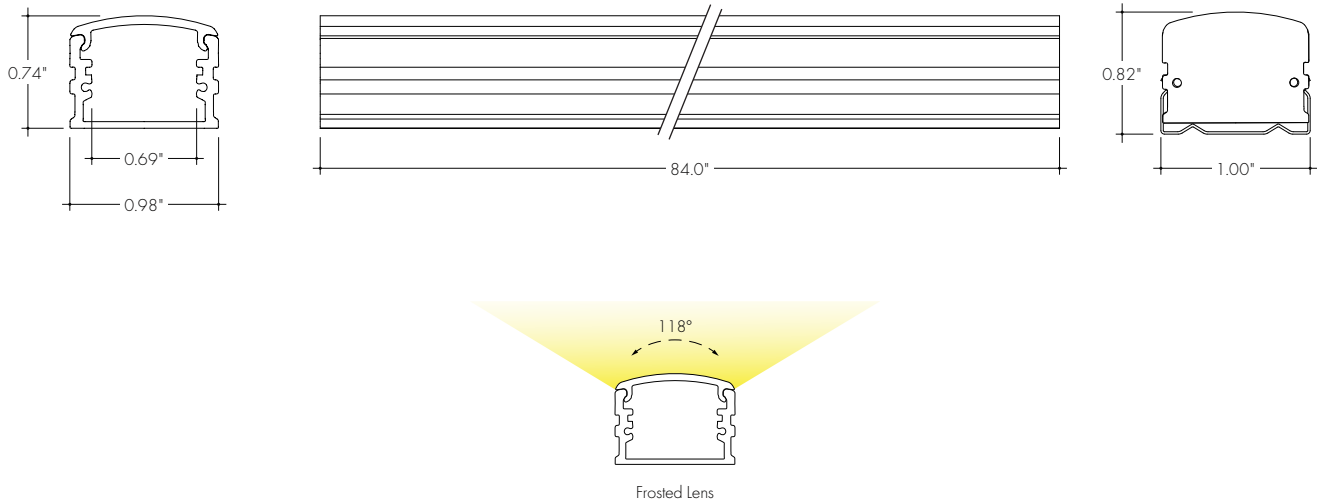
Diffuser Lens

Polycarbonate, snap-in-place, UV resistant

Warranty

5 Years

Product Dimensions



INCLUDED MOUNTING ACCESSORIES

EXTRUSION LENGTH	MOUNTING HARDWARE	END CAP (PAIR)
84"	6	1

Each pair of endcaps includes 1x H0 (no wire feed hole) and 1x H1 (with hole) where applicable. Additional endcaps and mounting clips are available for purchase.

TRANSMISSION PERCENTAGE (COMPARED TO LED TAPE WITHOUT CHANNEL)

LENS	TRANSMISSION %
Frosted	47%

See LED tape spec sheet for lens dotting characteristics & compatibility

Ordering code

MODEL	LENGTH	LENS	MOUNTING ²	FINISH
BXC - Basics X-Large Channel ¹	84 - 84"	F - Frosted	FC - Fixed Clip	SA - Silver Anodized

¹ - End Caps are included with channel, one of H0 (no hole) and one of H1 (with hole). Order additional End Caps as necessary.

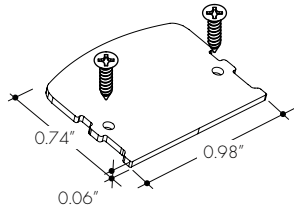
² - Mounting Clips are included with channel. Refer to chart above for provided mounting clip quantities. Order additional Mounting Clips as necessary.

Accessories

All Channels come with a specified set of Mounting Clips and End Caps, see Ordering Code for details. Order additional Mounting Clips and End Caps as necessary.

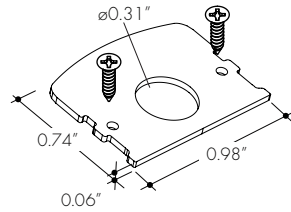
EC-BXC-H0-SA

Silver Anodized End Cap



EC-BXC-H1-SA

Silver Anodized End Cap with powerfeed opening



MB-BXC-SS

Fixed Clip
-FC

