



OVERVIEW

Atto Jack is a Constant Current single source LED spotlight that is machined from aerospace grade aluminium 6063-T6 and comes as standard in white, black and brushed aluminium along with three premium brass finishes. It has four site-changeable optics for flexible beam distribution and is fully adjustable with lockable 360° pan and 180° tilt. The narrow beam in our 1.12W 102lm module has a peak intensity of 794cd. A snoot and accessory holder is available separately. The luminaire is compatible with our Minipoint system that enables a plug and play setup where luminaires can be swapped to suit changing lighting requirements.

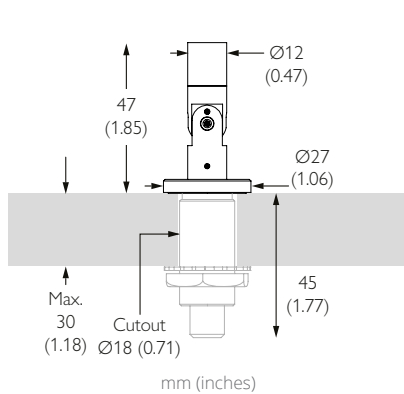
UK PART L	Part L1A / L1B (Dwellings)	EXEMPT
	Part L2A (General)	EXEMPT
	Part L2A (Display)	EXEMPT



PERFORMANCE

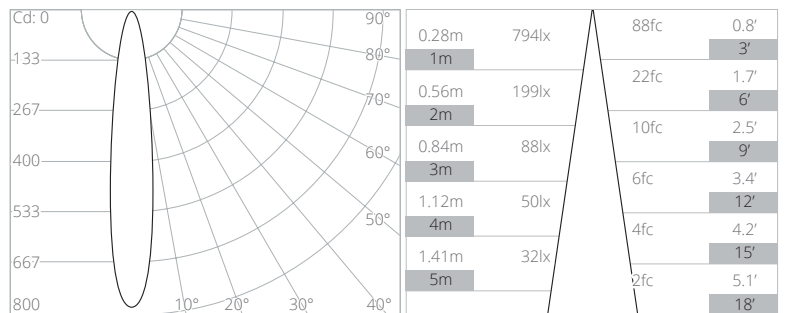
FWHM	16°	Category	IP20
Luminous Flux	94 lm	Material	Machined AL 6063-T6 Machined Brass
Peak Intensity	794 cd	Finishes	Brushed Aluminium White RAL9010 Matte Black Anodised Rubbed Bronze* Polished Brass* Brushed Brass *
CCT	2700K 3000K	Weight	16g 0.04lb
CRI Min.	95 TYP	Mounting	Minipoints
Drive Current	350 mA	Movement	Pan 360° Tilt 180°
Nom. Voltage	3.2 V	Lockable	Pan & Tilt
Max. Wattage	1.12 W	Accessories	Separate Holder Snoots 11mm (0.43") gels
Dimming	0-10V DALI	TM65 TM66	6.25kgCO2e 2.4
Driver Type	Constant Current Remote	Lifetime	L90B10 100,000hrs 5 year warranty
Class	SELV Class III		

DIMENSIONS



PHOTOMETRY

CCT	Multiplier
2700K	x1.00
3000K	x1.00



Data at 3000K

LUMINAIRE ORDER CODE

Model	Finish	CCT	Beam Angle
771	-	-	-
	WH White RAL 9010	2795 2700K 95CRI	16 Narrow
	EBA Black RAL 9005	3095 3000K 95CRI	23 Medium
	AL Brushed Aluminium		45 Flood
	RB Rubbed Bronze		90 Wide Flood
	PB Polished Brass		
	SB Brushed Brass		

MINIPOINT ORDER CODE

Model	Finish
770-M-A-DC	-
	WH White RAL 9010
	EBA Black RAL 9005
	AL Brushed Aluminium
	RB Rubbed Bronze
	PB Polished Brass
	SB Brushed Brass

Example Code: 771-WH-309516

*Premium & custom finishes are built to order, subject to an extended lead time & MOQ
See Drivers, Power Supplies and Accessories sections for further order codes

Example Code: 770-M-A-DC-WH



OVERVIEW

Atto Jack is a Constant Current single source LED spotlight that is machined from aerospace grade aluminium 6063-T6 and comes as standard in white, black and brushed aluminium along with three premium brass finishes. It has four site-changeable optics for flexible beam distribution and is fully adjustable with lockable 360° pan and 180° tilt. The medium beam in our 1.12W 102lm module has a peak intensity of 359cd. A snoot and accessory holder is available separately. The luminaire is compatible with our Minipoint system that enables a plug and play setup where luminaires can be swapped to suit changing lighting requirements.

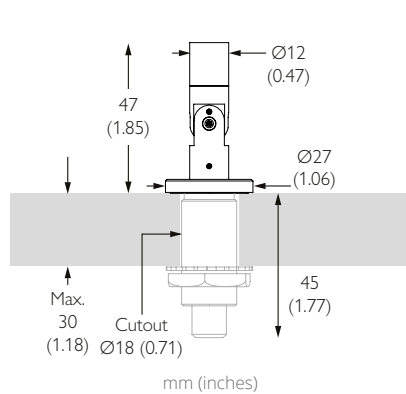
UK PART L	Part L1A / L1B (Dwellings)	EXEMPT
	Part L2A (General)	EXEMPT
	Part L2A (Display)	EXEMPT



PERFORMANCE

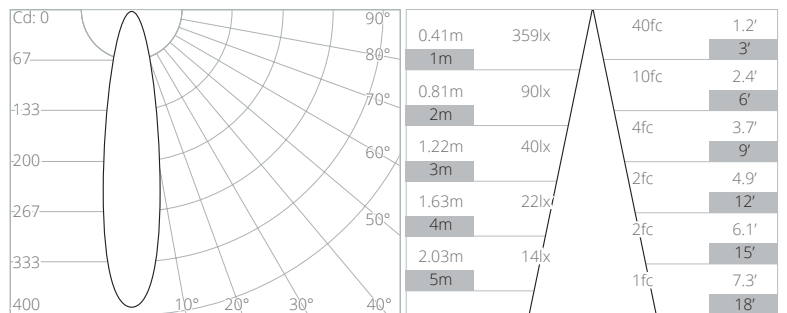
FWHM	23°	Category	IP20
Luminous Flux	92 lm	Material	Machined AL 6063-T6 Machined Brass
Peak Intensity	359 cd	Finishes	Brushed Aluminium White RAL9010 Matte Black Anodised Rubbed Bronze* Polished Brass* Brushed Brass *
CCT	2700K 3000K	Weight	16g 0.04lb
CRI Min.	95 TYP	Mounting	Minipoints
Drive Current	350 mA	Movement	Pan 360° Tilt 180°
Nom. Voltage	3.2 V	Lockable	Pan & Tilt
Max. Wattage	1.12 W	Accessories	Separate Holder Snoots 11mm (0.43") gels
Dimming	0-10V DALI	TM65 TM66	6.25kgCO2e 2.4
Driver Type	Constant Current Remote	Lifetime	L90B10 100,000hrs 5 year warranty
Class	SELV Class III		

DIMENSIONS



PHOTOMETRY

CCT	Multiplier
2700K	x1.00
3000K	x1.00



Data at 3000K

LUMINAIRE ORDER CODE

Model	Finish	CCT	Beam Angle
771	-	-	-
	WH White RAL 9010	2795 2700K 95CRI	16 Narrow
	EBA Black RAL 9005	3095 3000K 95CRI	23 Medium
	AL Brushed Aluminium		45 Flood
	RB Rubbed Bronze		90 Wide Flood
	PB Polished Brass		
	SB Brushed Brass		

MINIPOINT ORDER CODE

Model	Finish
770-M-A-DC	-
	WH White RAL 9010
	EBA Black RAL 9005
	AL Brushed Aluminium
	RB Rubbed Bronze
	PB Polished Brass
	SB Brushed Brass

Example Code: 771-WH-309523

*Premium & custom finishes are built to order, subject to an extended lead time & MOQ
See Drivers, Power Supplies and Accessories sections for further order codes

Example Code: 770-M-A-DC-WH



OVERVIEW

Atto Jack is a Constant Current single source LED spotlight that is machined from aerospace grade aluminium 6063-T6 and comes as standard in white, black and brushed aluminium along with three premium brass finishes. It has four site-changeable optics for flexible beam distribution and is fully adjustable with lockable 360° pan and 180° tilt. The flood beam in our 1.12W 102lm module has a peak intensity of 109cd. A snoot and accessory holder is available separately. The luminaire is compatible with our Minipoint system that enables a plug and play setup where luminaires can be swapped to suit changing lighting requirements.

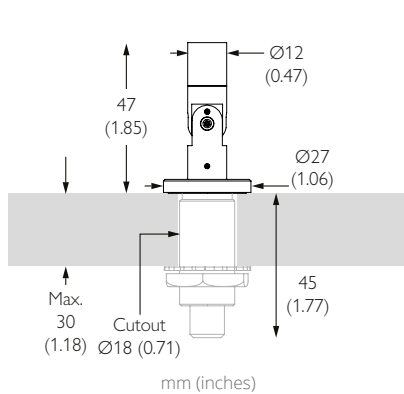
UK PART L	Part L1A / L1B (Dwellings)	EXEMPT
	Part L2A (General)	EXEMPT
	Part L2A (Display)	EXEMPT



PERFORMANCE

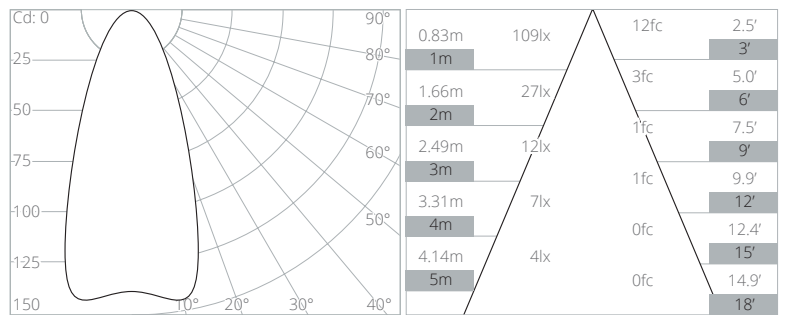
FWHM	45°	Category	IP20
Luminous Flux	93 lm	Material	Machined AL 6063-T6 Machined Brass
Peak Intensity	109 cd	Finishes	Brushed Aluminium White RAL9010 Matte Black Anodised Rubbed Bronze* Polished Brass* Brushed Brass *
CCT	2700K 3000K	Weight	16g 0.04lb
CRI Min.	95 TYP	Mounting	Minipoints
Drive Current	350 mA	Movement	Pan 360° Tilt 180°
Nom. Voltage	3.2 V	Lockable	Pan & Tilt
Max. Wattage	1.12 W	Accessories	Separate Holder Snoots 11mm (0.43") gels
Dimming	0-10V DALI	TM65 TM66	6.25kgCO2e 2.4
Driver Type	Constant Current Remote	Lifetime	L90B10 100,000hrs 5 year warranty
Class	SELV Class III		

DIMENSIONS



PHOTOMETRY

CCT	Multiplier
2700K	x1.00
3000K	x1.00



Data at 3000K

LUMINAIRE ORDER CODE

Model	Finish	CCT	Beam Angle
771	-	-	-
	WH White RAL 9010	2795 2700K 95CRI	16 Narrow
	EBA Black RAL 9005	3095 3000K 95CRI	23 Medium
	AL Brushed Aluminium		45 Flood
	RB Rubbed Bronze		90 Wide Flood
	PB Polished Brass		
	SB Brushed Brass		

MINIPOINT ORDER CODE

Model	Finish
770-M-A-DC	-
	WH White RAL 9010
	EBA Black RAL 9005
	AL Brushed Aluminium
	RB Rubbed Bronze
	PB Polished Brass
	SB Brushed Brass

Example Code: 771-WH-309545

*Premium & custom finishes are built to order, subject to an extended lead time & MOQ
See Drivers, Power Supplies and Accessories sections for further order codes

Example Code: 770-M-A-DC-WH



OVERVIEW

Atto Jack is a Constant Current single source LED spotlight that is machined from aerospace grade aluminium 6063-T6 and comes as standard in white, black and brushed aluminium along with three premium brass finishes. It has four site-changeable optics for flexible beam distribution and is fully adjustable with lockable 360° pan and 180° tilt. The wide flood beam in our 1.12W 102lm module has a peak intensity of 26cd. A snoot and accessory holder is available separately. The luminaire is compatible with our Minipoint system that enables a plug and play setup where luminaires can be swapped to suit changing lighting requirements.

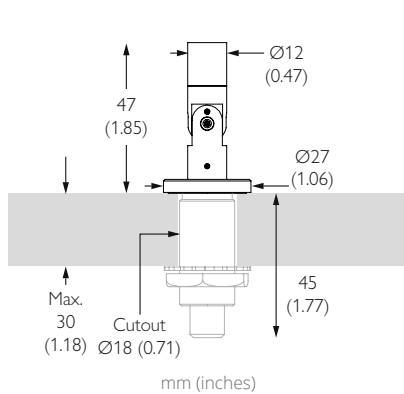
UK PART L	Part L1A / L1B (Dwellings)	EXEMPT
	Part L2A (General)	EXEMPT
	Part L2A (Display)	EXEMPT



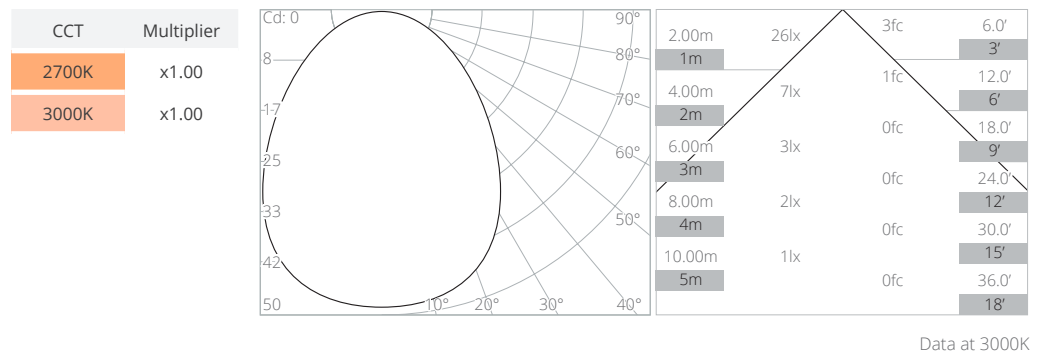
PERFORMANCE

FWHM	90°	Category	IP20
Luminous Flux	69 lm	Material	Machined AL 6063-T6 Machined Brass
Peak Intensity	26 cd	Finishes	Brushed Aluminium White RAL9010 Matte Black Anodised Rubbed Bronze* Polished Brass* Brushed Brass *
CCT	2700K 3000K	Weight	16g 0.04lb
CRI Min.	95 TYP	Mounting	Minipoints
Drive Current	350 mA	Movement	Pan 360° Tilt 180°
Nom. Voltage	3.2 V	Lockable	Pan & Tilt
Max. Wattage	1.12 W	Accessories	Separate Holder Snoots 11mm (0.43") gels
Dimming	0-10V DALI	TM65 TM66	6.25kgCO2e 2.4
Driver Type	Constant Current Remote	Lifetime	L90B10 100,000hrs 5 year warranty
Class	SELV Class III		

DIMENSIONS



PHOTOMETRY



LUMINAIRE ORDER CODE

Model	Finish	CCT	Beam Angle
771	-	-	-
	WH White RAL 9010	2795 2700K 95CRI	16 Narrow
	EBA Black RAL 9005	3095 3000K 95CRI	23 Medium
	AL Brushed Aluminium		45 Flood
	RB Rubbed Bronze		90 Wide Flood
	PB Polished Brass		
	SB Brushed Brass		

MINIPOINT ORDER CODE

Model	Finish
770-M-A-DC	-
	WH White RAL 9010
	EBA Black RAL 9005
	AL Brushed Aluminium
	RB Rubbed Bronze
	PB Polished Brass
	SB Brushed Brass

Example Code: 771-WH-309590

*Premium & custom finishes are built to order, subject to an extended lead time & MOQ
See Drivers, Power Supplies and Accessories sections for further order codes

Example Code: 770-M-A-DC-WH

DRIVERS

20W | DIMMING: DALI OR 0-10V

NO. OF LIGHTS PER DRIVER 1 to 12 in series

MIN DIM LEVEL 0.1%

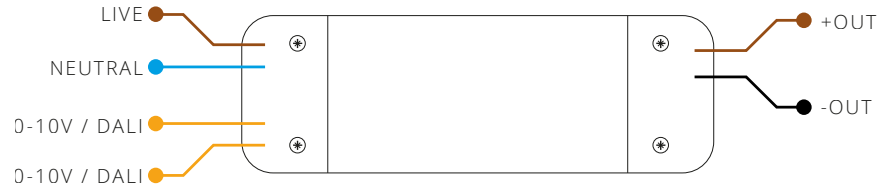
VOLTAGE REGION 230V

FOR NORTH AMERICA No

WATTAGE 20W

SUPPLY TYPE Constant Current

DRIVER LOCATION Remote



DALI CODE PSCC-20-350-D-EL

0-10V CODE PSCC-20-350-A-EL

LENGTH 160mm (6.30") WIDTH 41mm (1.63") HEIGHT 30mm (1.18")



30W | DIMMING: DALI OR 0-10V

NO. OF LIGHTS PER DRIVER 1 to 16 in series

MIN DIM LEVEL 0.1%

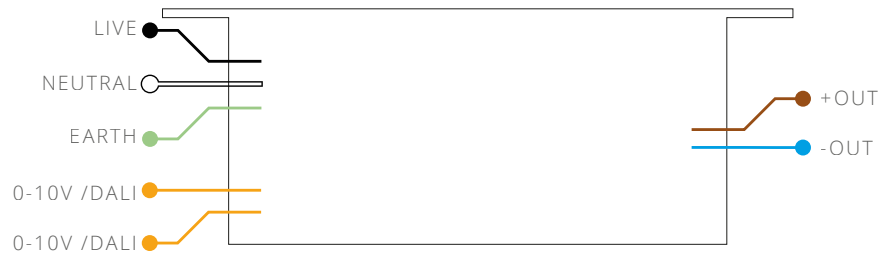
VOLTAGE REGION 120V

FOR NORTH AMERICA Yes

WATTAGE 30W

SUPPLY TYPE Constant Current

DRIVER LOCATION Remote



DALI CODE USCC-30-350-D-EL-ENC

0-10V CODE USCC-30-350-A-EL-ENC

LENGTH 348mm (13.7") WIDTH 65mm (2.6") HEIGHT 47mm (1.9")

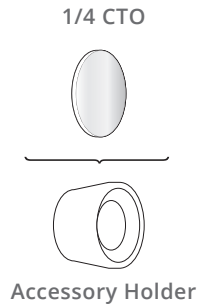


ATTO SERIES SPOTLIGHT ACCESSORIES

FOR USE WITH ATTO PLUS

ACCESSORIES

The Atto Plus accessory is required to hold accessories.



Atto Plus Accessory Holder

Screw on lens holder

HEIGHT 21mm (0.827")
DAIMETER 18mm (0.709")

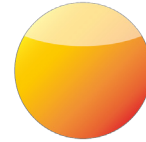
PART CODE 760-PH-AL - Brushed Aluminium
760-PH-EBA - Black Anodised
760-PH-WH - White

1/4 CTO Dichroic

CCT warming - approx 300K

THICKNESS 1.1mm (0.043")
DAIMETER 11mm (0.433")

PART CODE 997-1/4CTO-11



OPTICS

Primary Optic

Primary beam angle control



16° CODE 760-16
23° CODE 760-23
45° CODE 760-45
90° CODE 760-90

MINIPOINT JACK SYSTEM

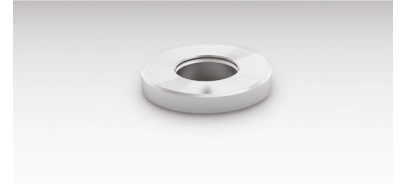
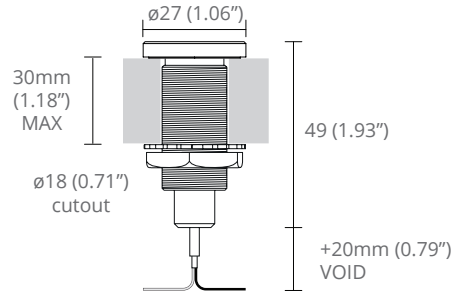
MOUNTING OPTIONS

MOUNTING OPTIONS

NODE MINIPOINT

For mounting into cabinetry

MINIPOINT CODE	FINISH
770-M-A-DC-AL	Brushed Aluminium
770-M-A-DC-WH	White RAL 9010
770-M-A-DC-EBA	Black RAL 9005
770-M-A-DC-AL	Rubbed Bronze
770-M-A-DC-AL	Polished Brass
770-M-A-DC-AL	Brushed Brass



MINIPOINT PLUG

For closing an open circuit / unused minipoint

MINIPOINT CODE	FINISH
770-BPA-AL	Brushed Aluminium
770-BPA-WH	White RAL 9010
770-BPA-EBA	Black RAL 9005
770-BPA-RB	Rubbed Bronze
770-BPA-PB	Polished Brass
770-BPA-SB	Brushed Brass

