

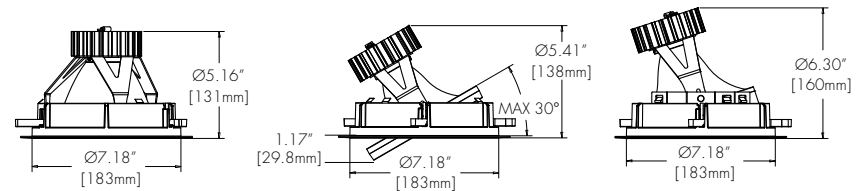
ARTEMIS 5

DOWNLIGHT - ADJUSTABLE - WALL WASH
TUNABLE WHITE & WARM DIM



Features

- Available as a fixed downlight, a wall washer, and an adjustable fixture with 360° rotation and up to 30° angle adjustment.
- Faceted metal reflectors provide beam spreads between 10° to 60°.
- Nine drivers selections available to cover wide range of applications.
- Six output options available up to 6000 lumens.
- L70 > 50000 hours
- Five year warranty.



Finish Options

- White
- Black
- Silver



Technical Information

TYPE	WD1830				TW2765	
	1000lm	1500lm	2000lm	3000lm	1500lm	3000lm
OUTPUT OPTIONS						
Fixture wattage	16.3 W	21.3 W	24.9 W	31.8 W	14.9 W	45.3 W
Delivered Lumen at full on	1517 lm	1935 lm	2200 lm	2664 lm	1358 lm	3285 lm
Efficacy	93 lm/W	91 lm/W	88 lm/W	84 lm/W	91 lm/W	73 lm/W
Center Beam Candlepower (10° Faceted Reflector)	17284 cd	22179 cd	25217 cd	30535 cd	15565 cd	37652 cd

CCT	TM-30			
	CRI	R _f	R _g	R ₉
1800K	94	90	93	61
3000K	94	89	97	72
2700K	91	90	96	59
6500K	93	87	97	73

Ordering Code

Example: Fixture ART5-D-TR-15-WD1830-F10-NA-WH-WH
HRM-ART5-D-TR-15-WD1830-PHSD-NA

Fixture

MODEL	TYPE	TRIM	OUTPUT	CCT	OPTIC	ACCESSORY	TRIM FINISH	BAFFLE FINISH
ART5-Artemis 5"	D-Fixed Downlight A-Adjustable W-Wall Wash ¹	TR-Trimmed TL-Trimless	15-1500 lumens 20-2000 lumens 30-3000 lumens ⁵	WD1830-Warm Dim, 1800K-3000K TW2765-Tunable White, 2700K-6500K ^{6,7,8}	F10-10 Degree, Faceted F18-18 Degree, Faceted F30-30 Degree, Faceted F45-45 Degree, Faceted F60-60 Degree, Faceted	NA-No Accessory CL-Clear Lens DL-Diffusing Lens HC-Honeycomb Louver	WH-White BK-Black SL-Silver	WH-White BK-Black SL-Silver

HOUSING	MODEL	TRIM	OUTPUT	CCT	DRIVER	DRIVER OPTIONS
HRM-Remote Power Supply (Non-IC) HP-New Construction Pan (Non-IC) ⁸ HIC-Housing, IC Rated HCP-Housing, IC Rated, Chicago Plenum Rated	ART5-D-Artemis 5" Fixed Downlight ART5-A-Artemis 5" Adjustable ART5-W-Artemis 5" Wall Wash	Same as Fixture	Same as Fixture	Same as Fixture	PHSD-Forward/Reverse Phase, 1% Dimming, 120V Only O10S-0-10V, 1% Dimming, 120/277V O103-0-10V, 1% Dimming, 347V Only O10L-EldoLED, 0-10V, Linear, 0.1% Dimming, 120/277V O10G-EldoLED, 0-10V, Log, 0.1% Dimming, 120/277V DALI-EldoLED, DALI Protocol 2, DT-6, 0.1% Dimming, 120/277V DALI8-EldoLED, DALI Protocol 2, DT-8, 0.1% Dimming, 120/277V ² LUTE-Lutron Hilume Ecodigital, 1% Dimming, 120V/277V ² DMX-EldoLED, DMX, 0.1% Dimming, 120V/277V ²	NA-None EMG-Emergency Driver ^{2,3} AWN-R-Athena ⁴

1 - Wall Wash is only available with Optic F18 - 18 Degree, Faceted and DL - Diffusing Lens
2 - Drivers DALI8/LUTE/DMX/EMG are only available with HRM - Remote Power Supply.
3 - Emergency option comes prewired from factory with driver in remote housing. 8W of continuous power provided for a minimum of 90 minutes. Must be installed within 30 feet of luminaire using 18 AWG wire. Only available with O10S/O10L/O10G/PHSD/DALI Drivers.
4 - Awnr only available with HP/HIC/HCP Housings and O10S Driver.

5 - For TW2765 Only, Requires a Thermal Protector, Please inform manufacturer of Building Voltage 120V, 277V, 347V. Thermals are not Universal.
6 - TW2765 only available with 1500/3000 lumens.
7 - TW2765 only available with Drivers O10L/O10G/DALI8/DMX. Cannot use with EMG.
8 - TW2765 requires HRM - Remote Power Supply.

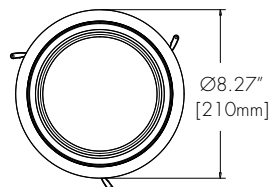
CONTACT FACTORY FOR MORE OPTIONS.

ARTEMIS 5

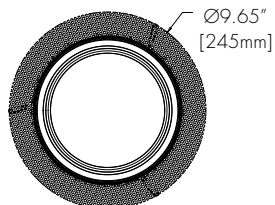
DOWNLIGHT - ADJUSTABLE - WALL WASH
TUNABLE WHITE & WARM DIM

Dimensions

Trimmed



Trimless



Downlight & Adjustable Lens



Wall Wash Lens

DL
Diffusing Lens



Optics

Faceted Reflector
(10°, 18°, 30°, 45°, 60°)



Trim Finishes



Baffle Finishes



Any combination may be used for Trim and Baffle finishes.

ARTEMIS 5

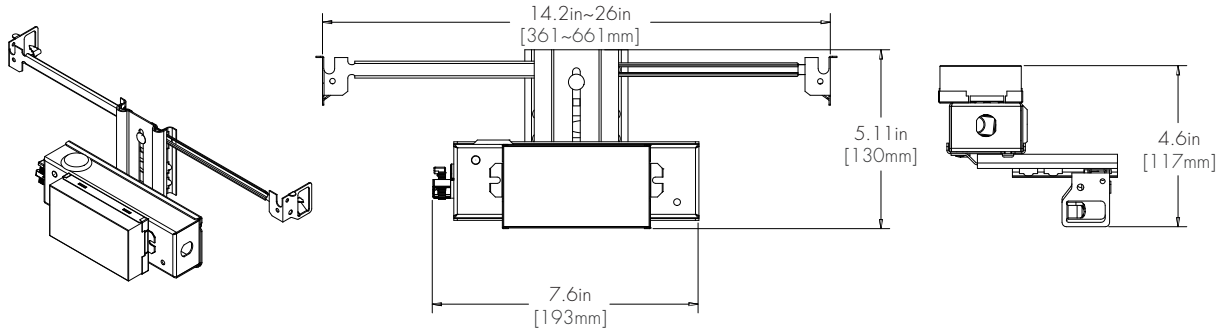
DOWNLIGHT - ADJUSTABLE - WALL WASH
TUNABLE WHITE & WARM DIM

Remote Driver Housing

Maximum mounting distance to luminaire using 18 AWG wire

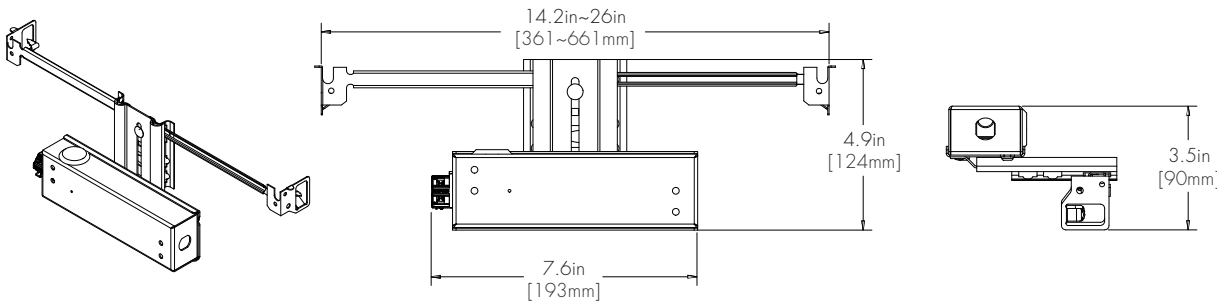
010S	PHSD	010L	010G	DALI DALI8	DMX	LUTE
16'	16'	72'	72'	72'	149'	15'

HRM Single with Externally Mounted Driver



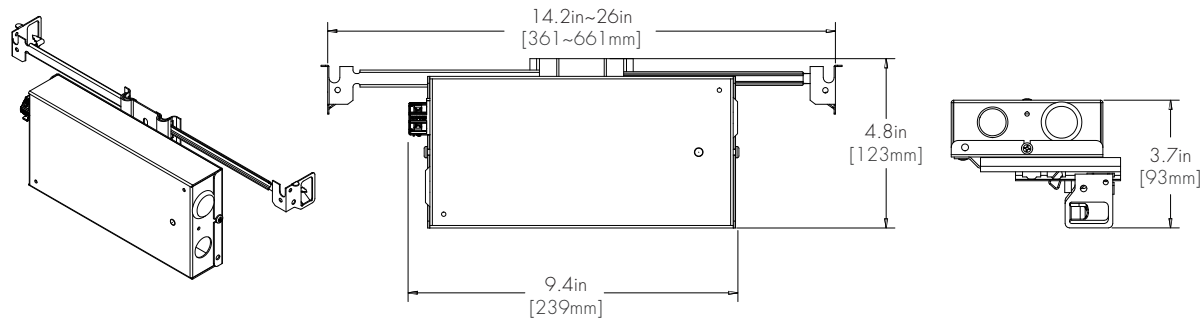
Driver	+	Driver Option
010L	+	NA
010G	+	NA
010S	+	NA
DALI	+	NA
LUTE	+	NA

HRM Single



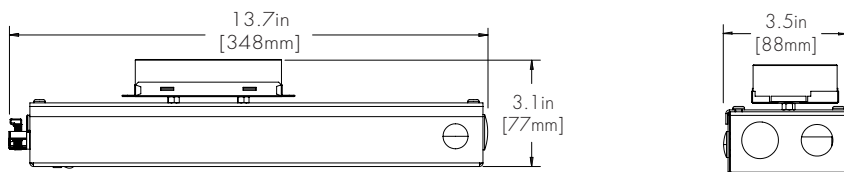
Driver	+	Driver Option
PHSD	+	NA

HRM Double



Driver	+	Driver Option
DALI8	+	NA
DMX	+	NA

EMG Emergency Driver (120 minutes EMG operation time)



Driver	+	Driver Option
010L	+	EMG
010G	+	EMG
010S	+	EMG
DALI	+	EMG
PHSD	+	EMG

ARTEMIS 5

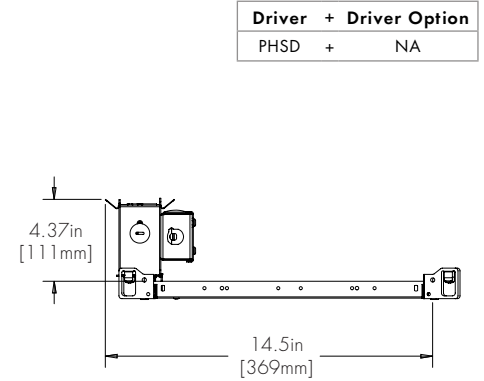
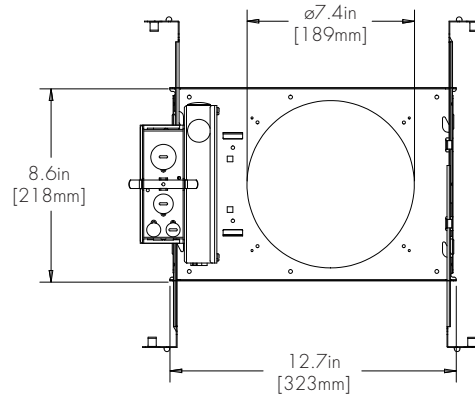
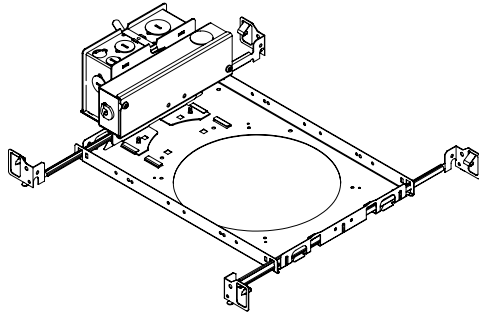
DOWNLIGHT - ADJUSTABLE - WALL WASH
TUNABLE WHITE & WARM DIM



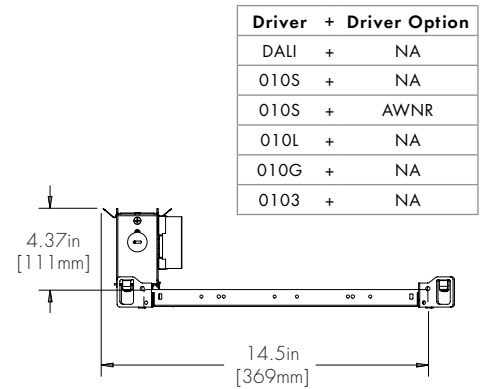
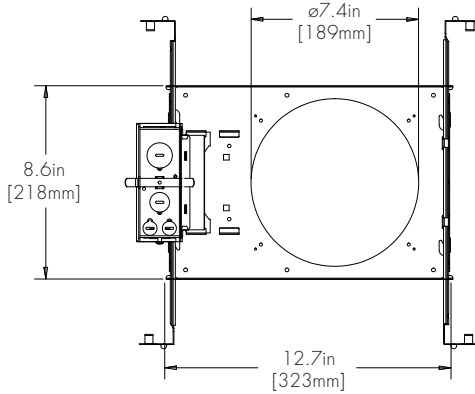
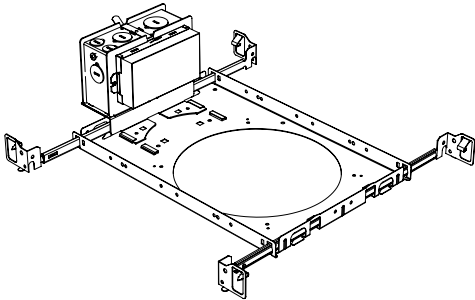
Remote Driver Housing

HP

New Construction Pan (Non-IC)



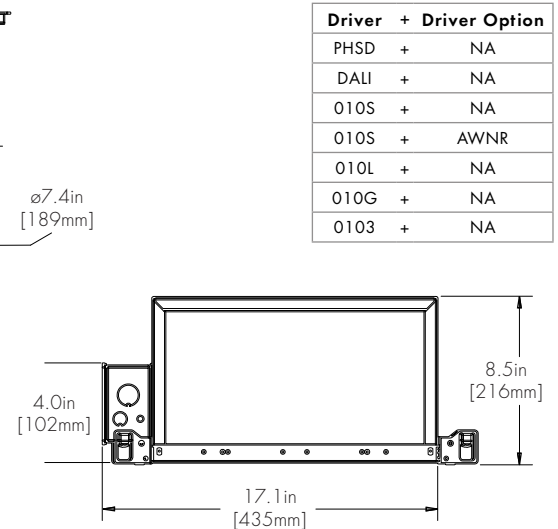
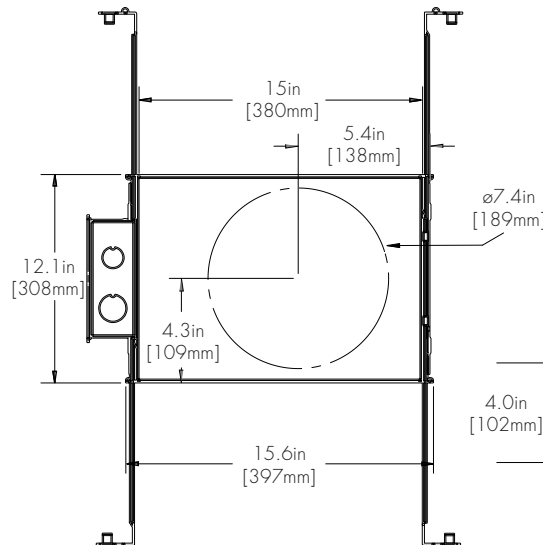
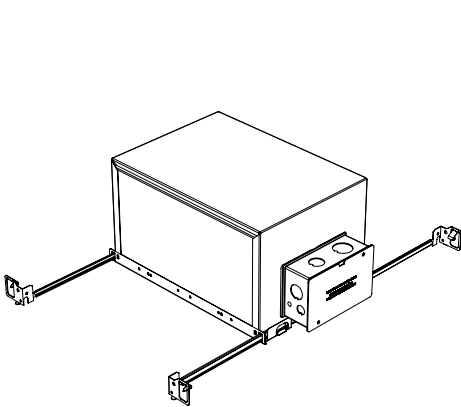
Driver	+ Driver Option
PHSD	+ NA



Driver	+ Driver Option
DALI	+ NA
O10S	+ NA
O10S	+ AWRN
O10L	+ NA
O10G	+ NA
O103	+ NA

HIC/HCP

Housing, IC Rated/ Housing, IC Rated, Chicago Plenum Rated



Driver	+ Driver Option
PHSD	+ NA
DALI	+ NA
O10S	+ NA
O10S	+ AWRN
O10L	+ NA
O10G	+ NA
O103	+ NA

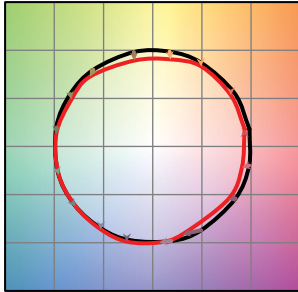
ARTEMIS 5

DOWNLIGHT - ADJUSTABLE - WALL WASH
TUNABLE WHITE & WARM DIM

TM-30

Warm Dim 1800K

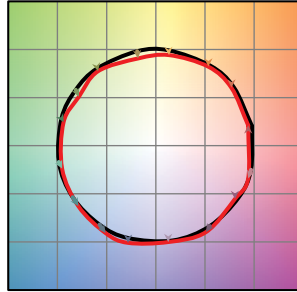
COLOR VECTOR GRAPHIC



— Reference Source — Test Source

Warm Dim 3000K

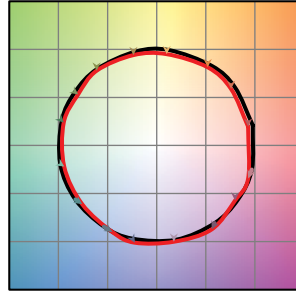
COLOR VECTOR GRAPHIC



— Reference Source — Test Source

Tunable White 2700K

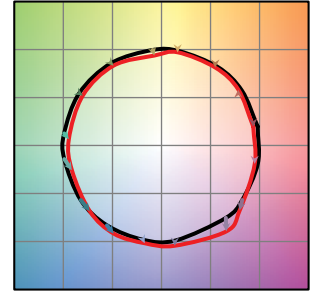
COLOR VECTOR GRAPHIC



— Reference Source — Test Source

Tunable White 6500K

COLOR VECTOR GRAPHIC



— Reference Source — Test Source

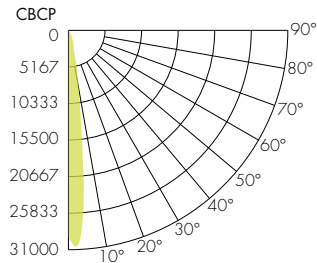
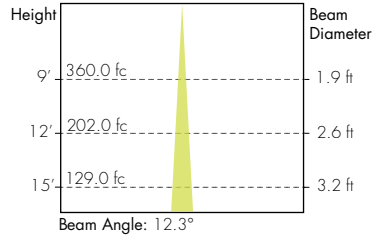
ARTEMIS 5

DOWNLIGHT - ADJUSTABLE - WALL WASH
TUNABLE WHITE & WARM DIM

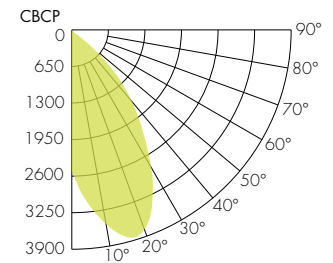
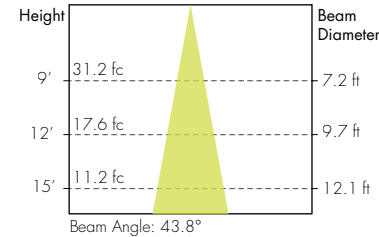


Photometry

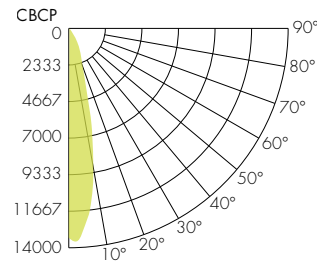
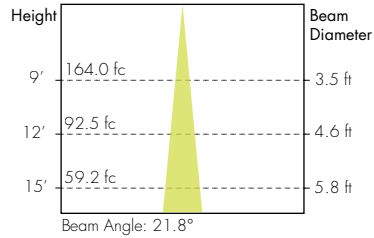
10° Faceted Reflector



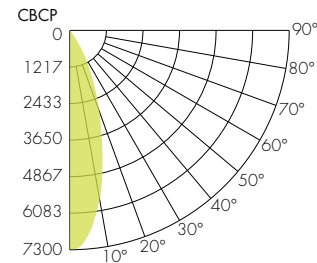
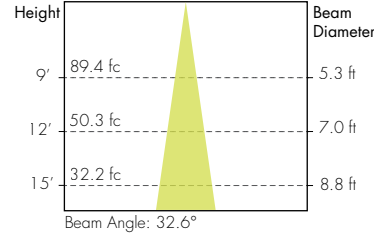
Wall Wash 18° Faceted Reflector



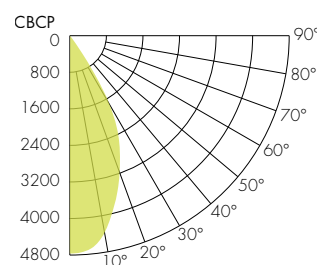
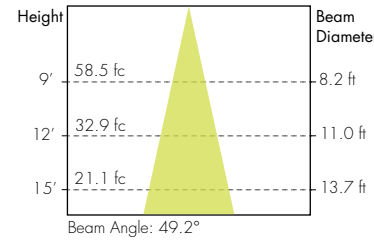
18° Faceted Reflector



30° Faceted Reflector



45° Faceted Reflector



60° Faceted Reflector

