

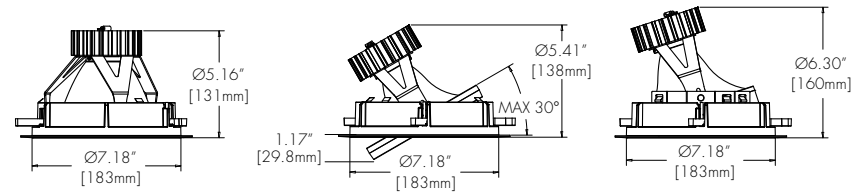
# ARTEMIS 5

DOWNLIGHT - ADJUSTABLE - WALL WASH



## Features

- Available as a fixed downlight, a wall washer, and an adjustable fixture with 360° rotation and up to 30° angle adjustment.
- Faceted metal reflectors provide beam spreads between 10° to 60°.
- Nine drivers selections available to cover wide range of applications.
- Six output options available up to 6000 lumens.
- L70 > 50000 hours
- Five year warranty.



## Finish Options

- White
- Black
- Silver



## Technical Information

OUTPUT OPTIONS	1500 lm	2000 lm	3000 lm	4000 lm	5000 lm	6000 lm
<b>Fixture wattage</b>	13.7 W	19.0 W	26.8 W	37.2 W	50.2 W	66.6 W
<b>Delivered Lumen at 3500K</b>	1612 lm	2178 lm	3080 lm	4081 lm	5097 lm	6097 lm
<b>Efficacy</b>	118 lm/W	115 lm/W	115 lm/W	110 lm/W	102 lm/W	92 lm/W
<b>Center Beam Candlepower (10° Faceted Reflector)</b>	15137 cd	20452 cd	28922 cd	38321 cd	47862 cd	57252 cd

CCT	Multiplier	CRI	TM-30		
			R <sub>f</sub>	R <sub>g</sub>	R <sub>9</sub>
<b>2500K</b>	0.81	92	90	104	77
<b>2700K</b>	0.92	92	91	102	61
<b>3000K</b>	0.97	95	92	102	61
<b>3500K</b>	1.00	95	93	101	72
<b>4000K</b>	1.07	95	92	103	68
<b>6500K</b>	1.05	96	91	100	89

Example: Fixture ART5-D-TR-15-25K-F10-NA-WH-WH  
HRM-ART5-D-TR-15-25K-PHSD-NA

## Ordering Code

MODEL	TYPE	TRIM	OUTPUT	CCT	OPTIC	ACCESSORY	TRIM FINISH	BAFFLE FINISH
ART5-Artemis 5"	D-Fixed Downlight A-Adjustable W-Wall Wash <sup>1</sup>	TR-Trimmed TL-Trimless	15-1500 lumens (13.7W) 20-2000 lumens (19.0W) 30-3000 lumens (26.8W) 40-4000 lumens (37.2W) 50-5000 lumens (50.2W) <sup>7</sup> 60-6000 lumens (66.6W) <sup>7</sup>	25K-2500K 27K-2700K 30K-3000K 35K-3500K 40K-4000K 65K-6500K	F10-10 Degree, Faceted F18-18 Degree, Faceted F30-30 Degree, Faceted F45-45 Degree, Faceted F60-60 Degree, Faceted	NA-No Accessory CL-Clear Lens DL-Diffusing Lens HC-Honeycomb Louver	WH-White BK-Black SL-Silver	WH-White BK-Black SL-Silver
HOUSING	MODEL	TRIM	OUTPUT	CCT	DRIVER	DRIVER OPTIONS		
HRM-Remote Power Supply (Non-IC) HP-New Construction Pan (Non-IC) <sup>8</sup> HIC-Housing, IC Rated <sup>2</sup> HCP-Housing, IC Rated, Chicago Plenum Rated <sup>2</sup>	ART5-D-Artemis 5" Fixed Downlight ART5-A-Artemis 5" Adjustable ART5-W-Artemis 5" Wall Wash	Same as Fixture	Same as Fixture	Same as Fixture	PHSD-Forward/Reverse Phase, 1% Dimming, 120V Only <sup>3</sup> O10S-0-10V, 1% Dimming, 120/277V <sup>5</sup> O103-0-10V, 1% Dimming, 347V Only <sup>4</sup> O10L-EldoLED, 0-10V, Linear, 0.1% Dimming, 120/277V <sup>3</sup> O10G-EldoLED, 0-10V, Log, 0.1% Dimming, 120/277V <sup>3</sup> DALI-EldoLED, DALI Protocol 2, DT-6, 0.1% Dimming, 120/277V <sup>3</sup> DALI8-EldoLED, DALI Protocol 2, DT-8, 0.1% Dimming, 120/277V <sup>3,6</sup> LUTE-Lutron Hilume Ecodigital, 1% Dimming, 120V/277V <sup>4,6</sup> DMX-EldoLED, DMX, 0.1% Dimming, 120V/277V <sup>3,6</sup>	NA-None EMG-Emergency Driver <sup>6,8</sup> AWN-R Athena <sup>9,10</sup>		

1 - Wall Wash is only available with Optic F18 - 18 Degree, Faceted and DL - Diffusing Lens.  
2 - Housings HIC and HCP are not available when output exceeds 4000 lumens.  
3 - Drivers PHSD/O10L/O10G/DALI/DALI8/DMX are only available up to 4000 lumens.  
4 - Drivers O103/LUTE only available up to 3500 lumens.  
5 - Driver O10S is available with all outputs up to 6000 lumens.  
6 - Drivers DALI8/LUTE/DMX/EMG are only available with HRM - Remote Power Supply.

7 - Requires Thermal Protector, Please inform manufacturer of Building Voltage 120V, 277V, or 347V. Thermals are not Universal.  
8 - Emergency option comes prewired from factory with driver in remote housing. 8W of continuous power provided for a minimum of 90 minutes. Must be installed within 30 feet of luminaire using 18 AWG wire. Only available with O10S/O10L/O10G/PHSD/DALI Drivers.  
9 - AWNR with HP Housing is only available up to 5000 lumens.  
10 - AWNR only available with HP/HIC/HCP Housings and O10S Driver.

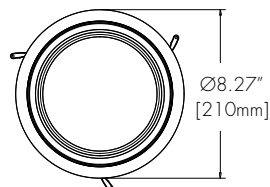
CONTACT FACTORY FOR MORE OPTIONS

# ARTEMIS 5

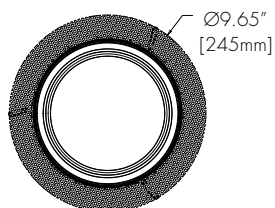
DOWNLIGHT - ADJUSTABLE - WALL WASH

## Dimensions

Trimmed



Trimless



## Downlight & Adjustable Lens

**CL**

Clear Lens



**DL**

Diffusing Lens



**HC**

Honeycomb Louver



**SL**

Solite Lens



## Wall Wash Lens

**DL**

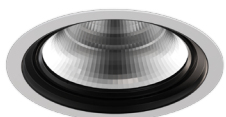
Diffusing Lens



## Optics

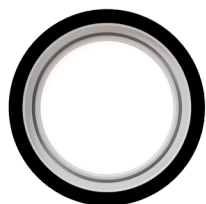
Faceted Reflector

(10°, 18°, 30°, 45°, 60°)



## Trim Finishes

**BK**  
Black



**WH**  
White

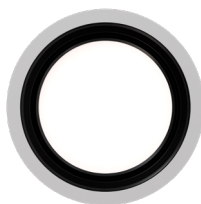


**SL**  
Silver



## Baffle Finishes

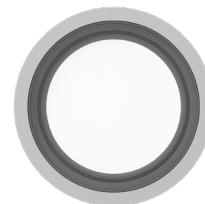
**BK**  
Black



**WH**  
White



**SL**  
Silver



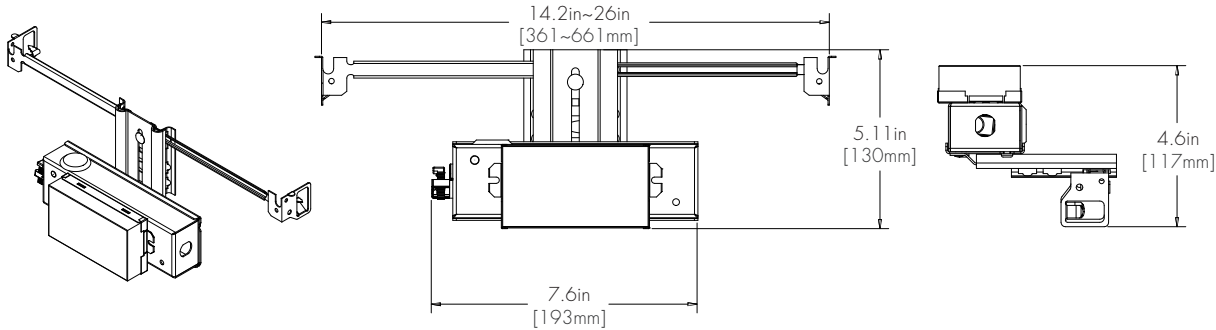
Any combination may be used for Trim and Baffle finishes.

## Remote Driver Housing

Maximum mounting distance to luminaire using 18 AWG wire

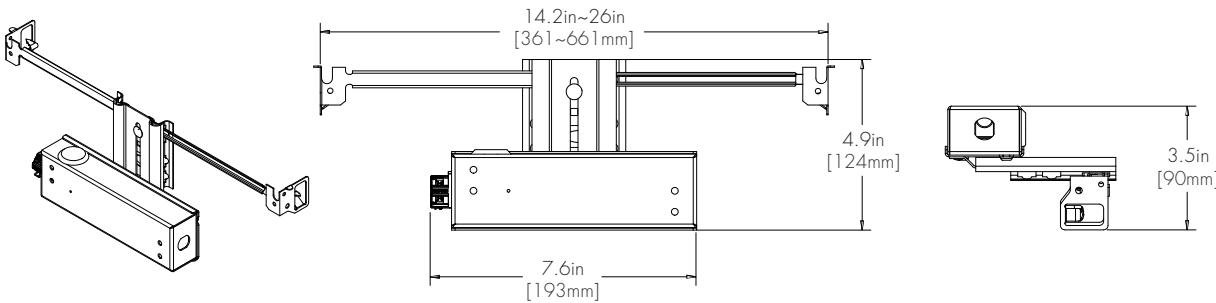
010S	PHSD	010L	010G	DALI DALI8	DMX	LUTE
16'	16'	72'	72'	72'	149'	15'

### HRM Single with Externally Mounted Driver



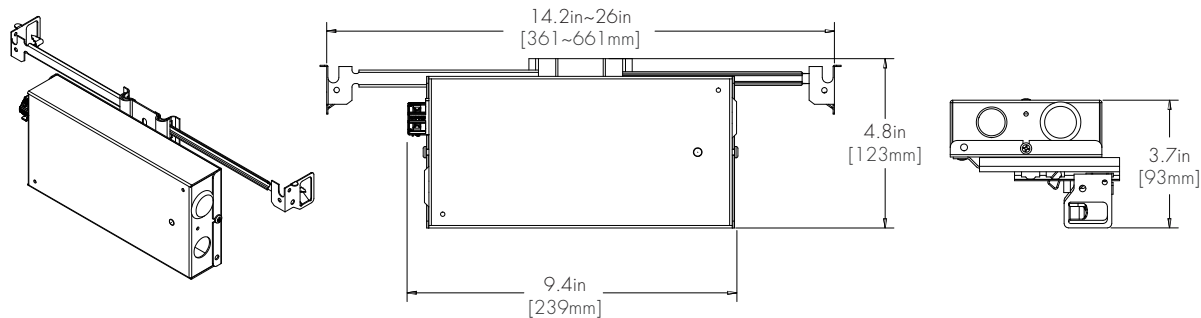
Driver	+	Driver Option
010L	+	NA
010G	+	NA
010S	+	NA
DALI	+	NA
LUTE	+	NA

### HRM Single



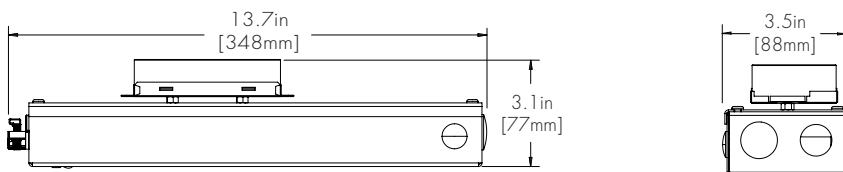
Driver	+	Driver Option
PHSD	+	NA

### HRM Double



Driver	+	Driver Option
DALI8	+	NA
DMX	+	NA

### EMG Emergency Driver (120 minutes EMG operation time)



Driver	+	Driver Option
010L	+	EMG
010G	+	EMG
010S	+	EMG
DALI	+	EMG
PHSD	+	EMG

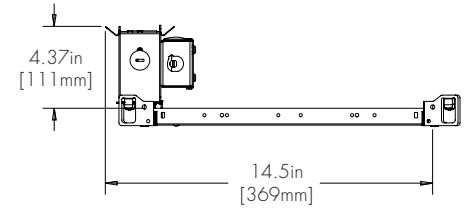
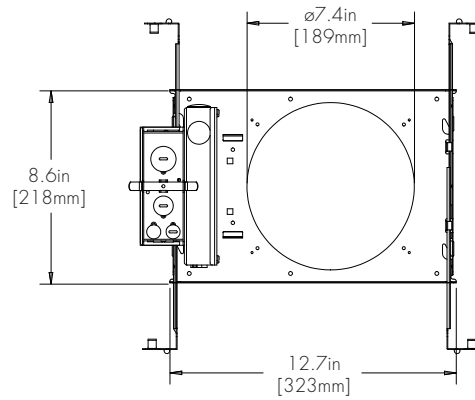
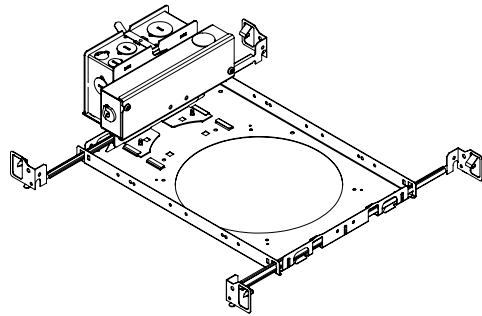
# ARTEMIS 5

DOWNLIGHT - ADJUSTABLE - WALL WASH

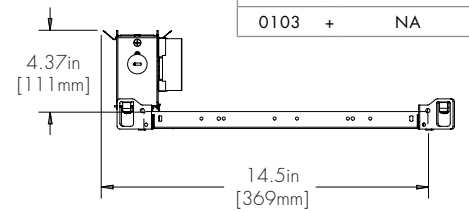
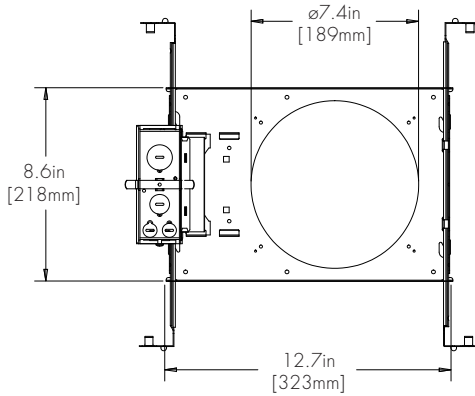
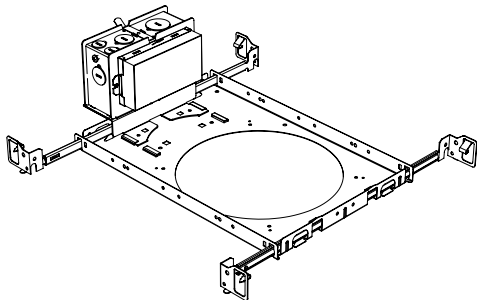
## Remote Driver Housing

### HP

New Construction Pan (Non-IC)



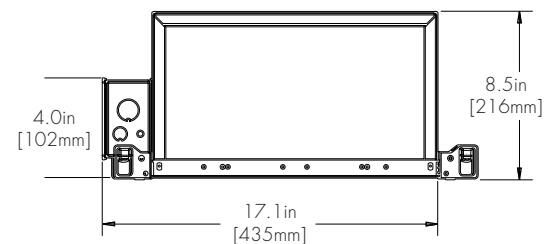
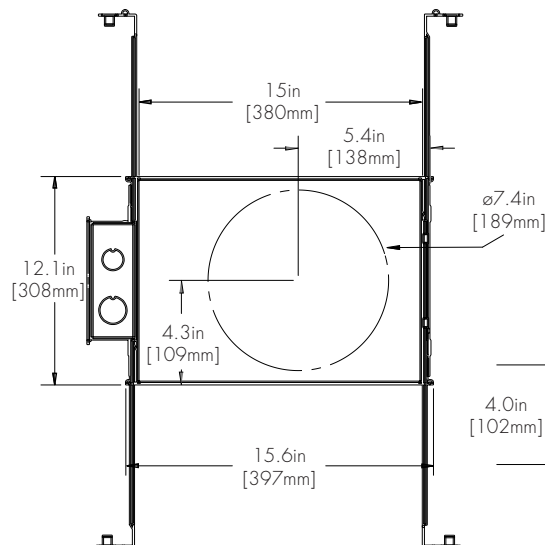
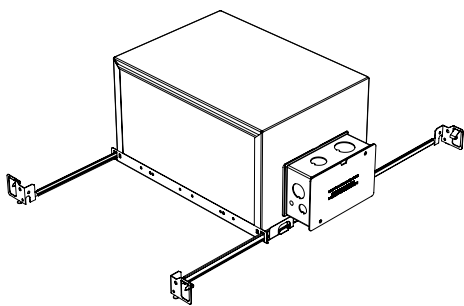
Driver	+ Driver Option
PHSD	+ NA



Driver	+ Driver Option
DALI	+ NA
O10S	+ NA
O10S	+ AWRN
O10L	+ NA
O10G	+ NA
O103	+ NA

### HIC/HCP

Housing, IC Rated/ Housing, IC Rated, Chicago Plenum Rated



Driver	+ Driver Option
PHSD	+ NA
DALI	+ NA
O10S	+ NA
O10S	+ AWRN
O10L	+ NA
O10G	+ NA
O103	+ NA

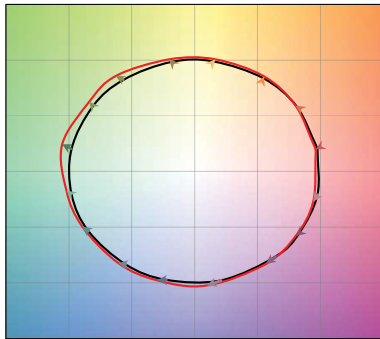
# ARTEMIS 5

DOWNLIGHT - ADJUSTABLE - WALL WASH

TM-30

**2500K**

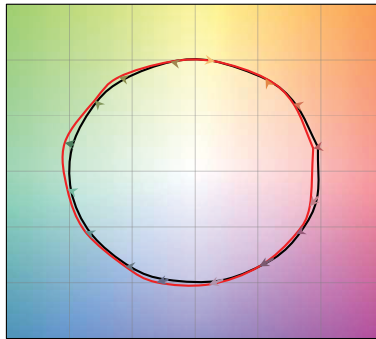
COLOR VECTOR GRAPHIC



— Reference Source — Test Source

**2700K**

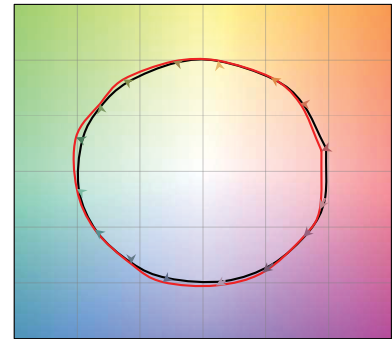
COLOR VECTOR GRAPHIC



— Reference Source — Test Source

**3000K**

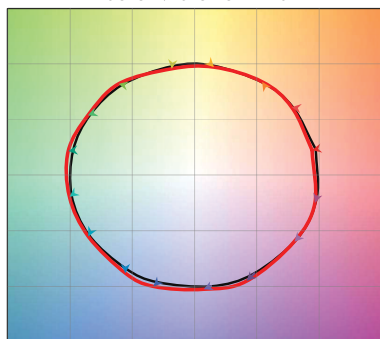
COLOR VECTOR GRAPHIC



— Reference Source — Test Source

**3500K**

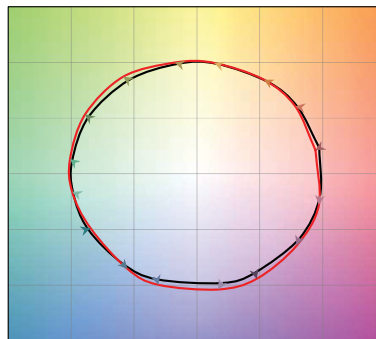
COLOR VECTOR GRAPHIC



— Reference Source — Test Source

**4000K**

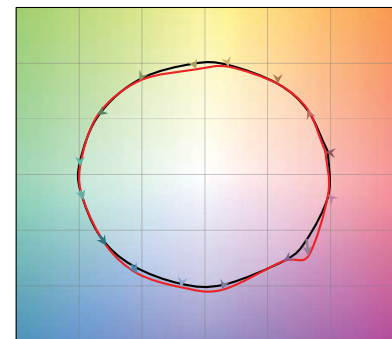
COLOR VECTOR GRAPHIC



— Reference Source — Test Source

**6500K**

COLOR VECTOR GRAPHIC



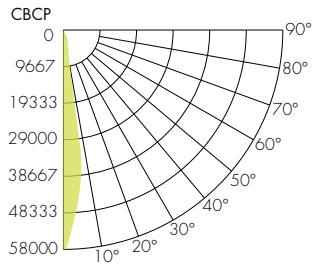
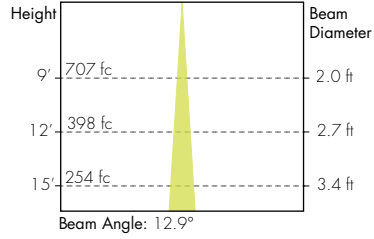
— Reference Source — Test Source

# ARTEMIS 5

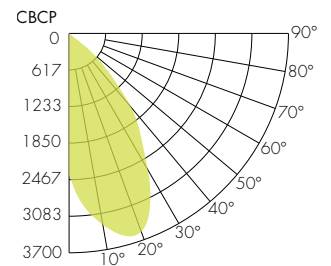
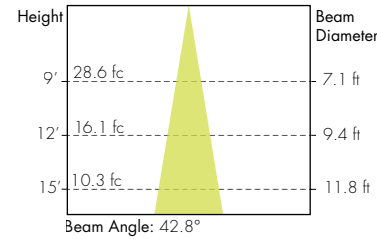
DOWNLIGHT - ADJUSTABLE - WALL WASH

## Photometry

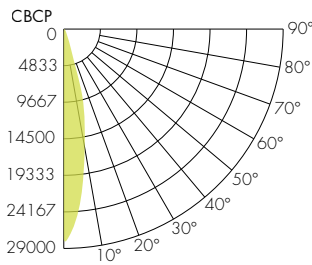
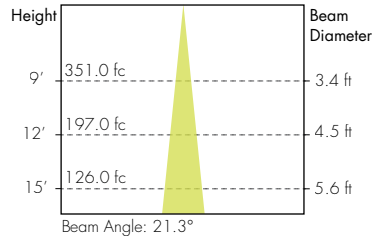
### 10° Faceted Reflector



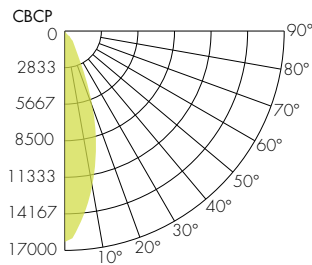
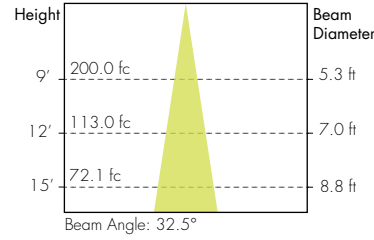
### Wall Wash 18° Faceted Reflector



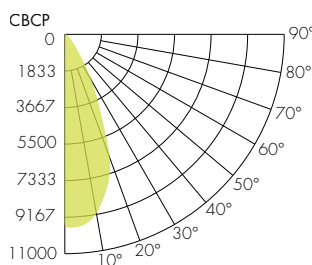
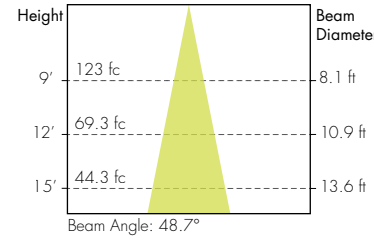
### 18° Faceted Reflector



### 30° Faceted Reflector



### 45° Faceted Reflector



### 60° Faceted Reflector

