

ARTEMIS 3 WET

DOWNLIGHT - WALL WASH
TUNABLE WHITE & WARM DIM

Features

- Four output options available up to 3000 lumens.
- Ceiling thickness must be between 1/4" and 1" (6mm & 25mm).
- Faceted and Smooth metal reflectors provide beam spreads between 10° to 80°
- Five year warranty.

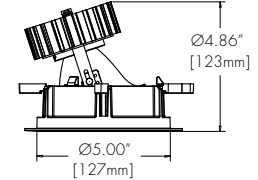
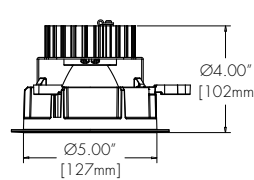
Finish Options

- White
- Black
- Silver



Downlight

Wall Wash



Technical Information

TYPE	WD1830				TW2765		TM-30					
	1000lm	1500lm	2000lm	3000lm	1500lm	3000lm	CCT	CRI	R _f	R _g	R ₉	
OUTPUT OPTIONS												
Fixture wattage	11.5 W	16.6 W	21.8 W	32.7 W	16.1 W	34.3 W						
Delivered Lumen at full on	1087 lm	1543 lm	1975 lm	2810 lm	1602 lm	2819 lm						
Efficacy	95 lm/W	93 lm/W	91 lm/W	86 lm/W	100 lm/W	82 lm/W						
Center Beam Candlepower (10° Faceted Reflector)	8805 cd	12499 cd	15999 cd	22763 cd	12977 cd	22836 cd						
							1800K	94	90	93	61	
							3000K	94	89	97	72	
							2700K	91	90	96	59	
							6500K	93	87	97	73	

Ordering Code

Example: Fixture ART3W-D-TR-10-WD1830-F10-CL-WH-WH
HRM-ART3W-D-TR-10-WD1830-PHSD-NA

Fixture

MODEL	TYPE	TRIM	OUTPUT	CCT	OPTIC	ACCESSORY	TRIM FINISH	BAFFLE FINISH
ART3W-Artemis 3" Wet	D-Fixed Downlight W-Wall Wash ¹	TR-Trimmed	10-1000 lumens 15-1500 lumens 20-2000 lumens 30-3000 lumens ⁷	WD1830-Warm Dim, 1800K-3000K TW2765-Tunable White, 2700K-6500K ^{8,9,10}	F10-10 Degree, Faceted F18-18 Degree, Faceted F30-30 Degree, Faceted F45-45 Degree, Faceted F60-60 Degree, Faceted S30-30 Degree, Smooth S45-45 Degree, Smooth S80-80 Degree, Smooth	CL-Clear Lens DL-Diffusing Lens	WH-White BK-Black SL-Silver	WH-White BK-Black SL-Silver

HOUSING	MODEL	TRIM	OUTPUT	CCT	DRIVER	DRIVER OPTIONS
HRM-Remote Power Supply (Non-IC) HP-New Construction Pan (Non-IC) HIC-Housing, IC Rated ² HCP-Housing, IC Rated, Chicago Plenum Rated ²	ART3W-D-Artemis 3" Wet Fixed Downlight ART3W-W-Artemis 3" Wet Wall Wash	Same as Fixture	Same as Fixture	Same as Fixture	PHSD-Forward/Reverse Phase, 1% Dimming, 120V Only 010S-0-10V, 1% Dimming, 120/277V 0103-0-10V, 1% Dimming, 347V Only 010L-EldoLED, 0-10V, Linear, 0.1% Dimming, 120/277V 010G-EldoLED, 0-10V, Log, 0.1% Dimming, 120/277V DALI-EldoLED, DALI Protocol 2, DT-6, 0.1% Dimming, 120/277V DALI8-EldoLED, DALI Protocol 2, DT-8, 0.1% Dimming, 120/277V ⁴ LUTE-Lutron Hilume Ecodigital, 1% Dimming, 120V/277V ^{3,4} DMX-EldoLED, DMX, 0.1% Dimming, 120V/277V ⁴	NA-None EMG-Emergency Driver ^{4,5} AWN-R Athena ⁶

1 - Wall Wash is only available with Optic F18 - 18 Degree, Faceted and DL - Diffusing Lens.
2 - Housings HIC and HCP are not available when output exceeds 2000 lumens.
3 - LUTE driver is not available at 700 lumens.
4 - Drivers DALI8/LUTE/DMX/EMG are only available with HRM - Remote Power Supply.
5 - Emergency option comes prewired from factory with driver in remote housing. 8W of continuous power provided for a minimum of 90 minutes. Must be installed within 30 feet of luminaire using 18 AWG wire. Only available with 010S/010L/010G/PHSD/DALI Drivers.

6 - AWNR only available with HP/HIC/HCP Housings and 010S Driver.
7 - Requires Thermal Protector, Please inform manufacturer of Building Voltage 120V, 277V, or 347V. Thermals are not Universal.
8 - TW2765 only available with 1500/3000 lumens.
9 - TW2765 only available with Drivers 010L/010G/DALI8/DMX. Cannot use with EMG.
10 - TW2765 requires HRM - Remote Power Supply.

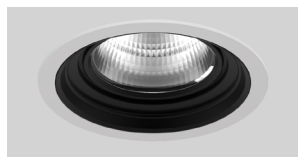
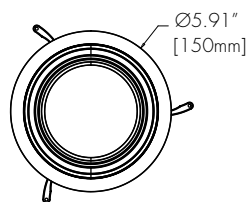
CONTACT FACTORY FOR MORE OPTIONS

ARTEMIS 3 WET

DOWNLIGHT - WALL WASH
TUNABLE WHITE & WARM DIM

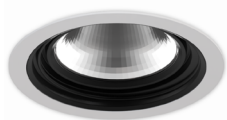
Dimensions

Trimmed



Downlight & Adjustable Lens

CL
Clear Lens



DL
Diffusing Lens



Wall Wash Lens

DL
Diffusing Lens



Optics

Faceted Reflector
(10°, 18°, 30°, 45°, 60°)

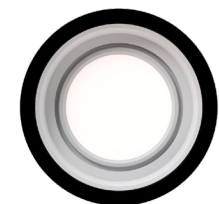


Smooth Reflector
(30°, 45°, 80°)



Trim Finishes

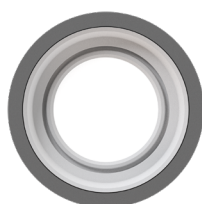
BK
Black



WH
White



SL
Silver



Baffle Finishes

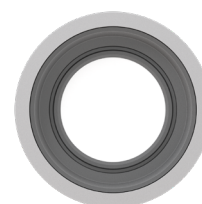
BK
Black



WH
White



SL
Silver



Any combination may be used for Trim and Baffle finishes.

ARTEMIS 3 WET

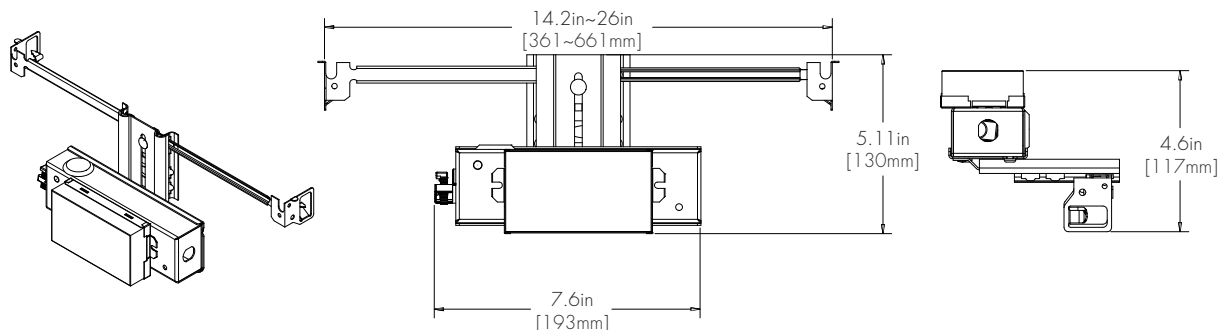
DOWNLIGHT - WALL WASH
TUNABLE WHITE & WARM DIM

Remote Driver Housing

Maximum mounting distance to luminaire using 18 AWG wire

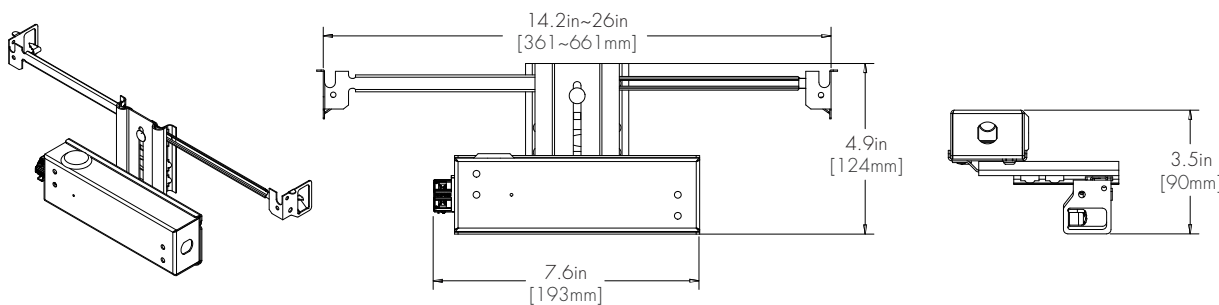
010S	PHSD	010L	010G	DALI DALI8	DMX	LUTE
16'	16'	72'	72'	72'	149'	15'

HRM Single with Externally Mounted Driver



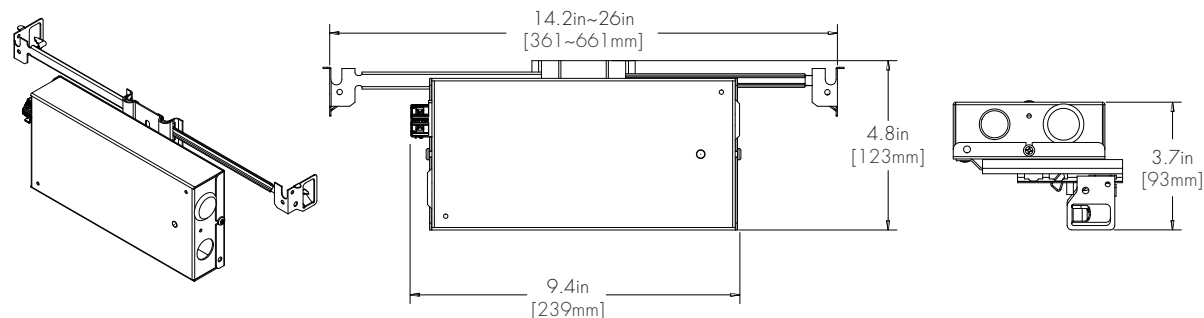
Driver	+	Driver Option
010L	+	NA
010G	+	NA
010S	+	NA
DALI	+	NA
LUTE	+	NA

HRM Single



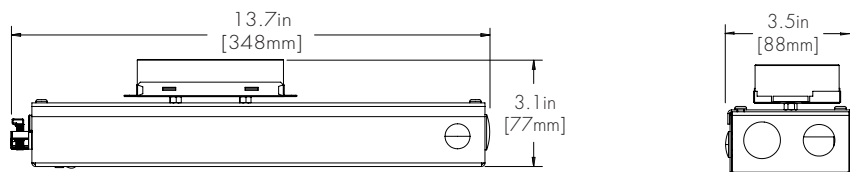
Driver	+	Driver Option
PHSD	+	NA

HRM Double



Driver	+	Driver Option
DALI8	+	NA
DMX	+	NA

EMG Emergency Driver (120 minutes EMG operation time)



Driver	+	Driver Option
010L	+	EMG
010G	+	EMG
010S	+	EMG
DALI	+	EMG
PHSD	+	EMG

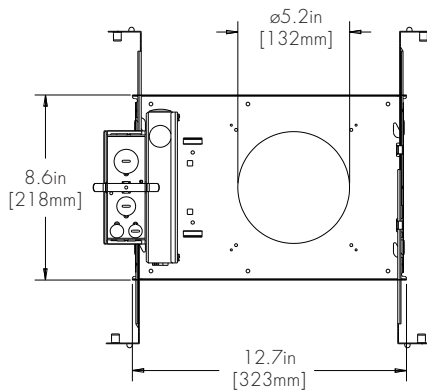
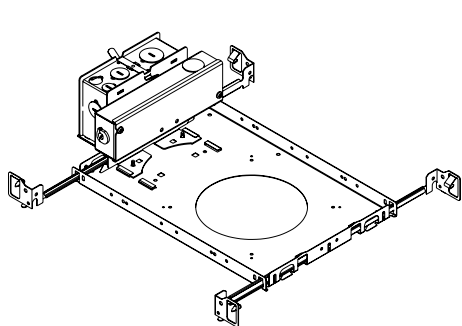
ARTEMIS 3 WET

DOWNLIGHT - WALL WASH
TUNABLE WHITE & WARM DIM

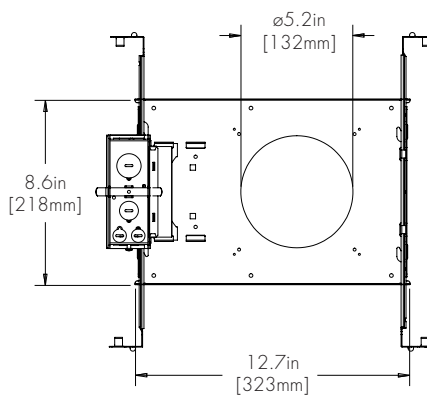
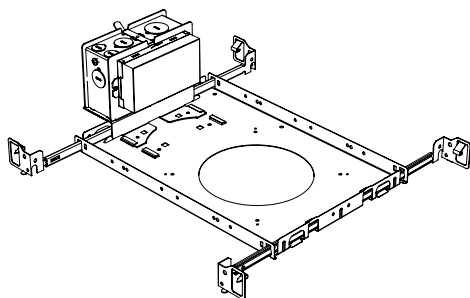
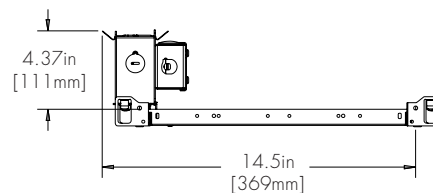
Remote Driver Housing

HP

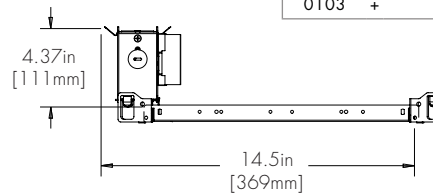
New Construction Pan (Non-IC)



Driver	+ Driver Option
PHSD	+ NA

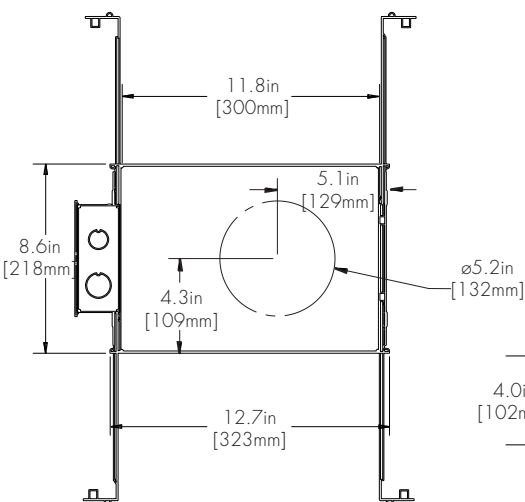
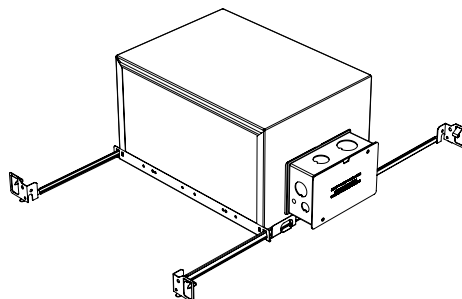


Driver	+ Driver Option
DALI	+ NA
010S	+ NA
010S	+ AWRNR
010L	+ NA
010G	+ NA
0103	+ NA

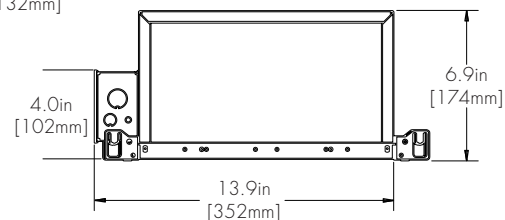


HIC/HCP

Housing, IC Rated/ Housing, IC Rated, Chicago Plenum Rated



Driver	+ Driver Option
PHSD	+ NA
DALI	+ NA
010S	+ NA
010S	+ AWRNR
010L	+ NA
010G	+ NA
0103	+ NA



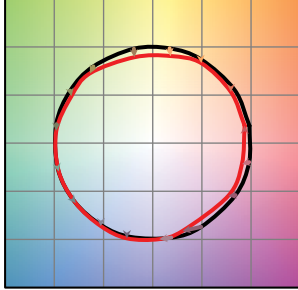
ARTEMIS 3 WET

DOWNLIGHT - WALL WASH
TUNABLE WHITE & WARM DIM

TM-30

Warm Dim 1800K

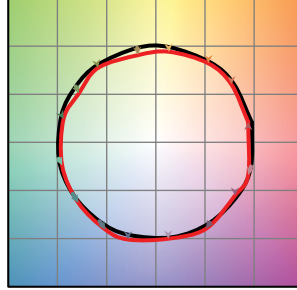
COLOR VECTOR GRAPHIC



— Reference Source — Test Source

Warm Dim 3000K

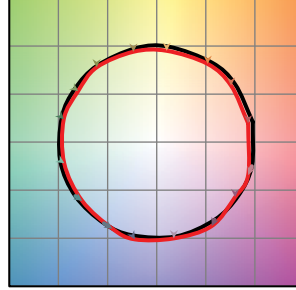
COLOR VECTOR GRAPHIC



— Reference Source — Test Source

Tunable White 2700K

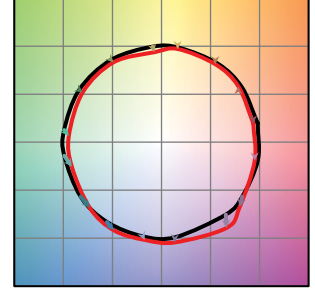
COLOR VECTOR GRAPHIC



— Reference Source — Test Source

Tunable White 6500K

COLOR VECTOR GRAPHIC



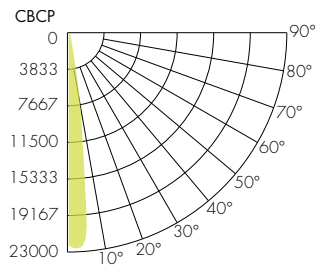
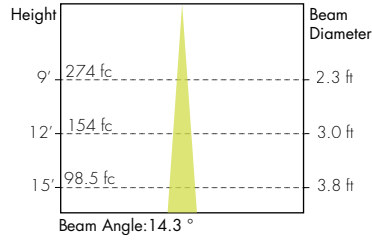
— Reference Source — Test Source

ARTEMIS 3 WET

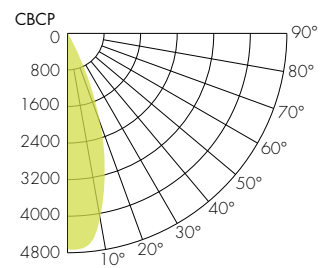
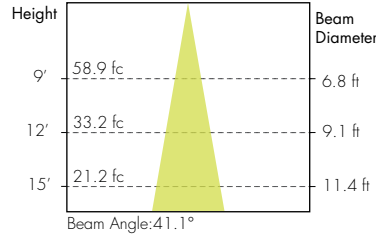
DOWNLIGHT - WALL WASH
TUNABLE WHITE & WARM DIM

Photometry

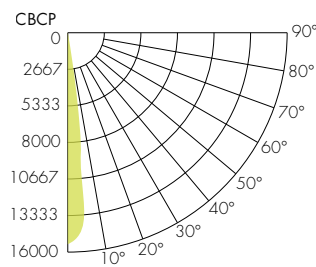
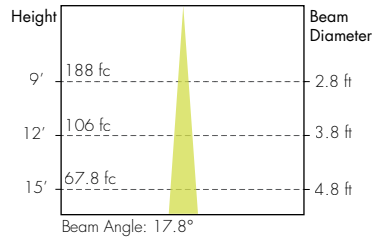
10° Faceted Reflector



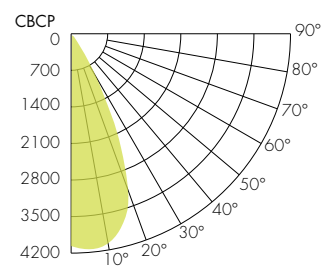
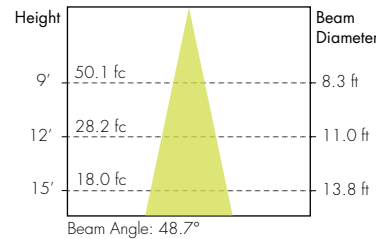
30° Smooth Reflector



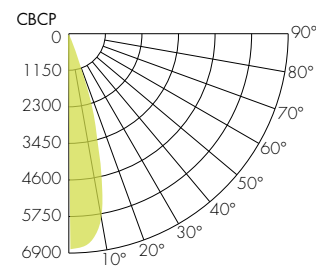
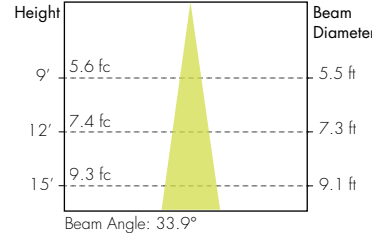
18° Faceted Reflector



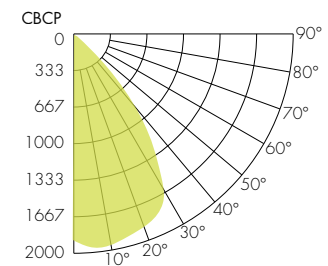
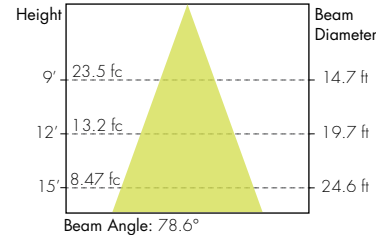
45° Smooth Reflector



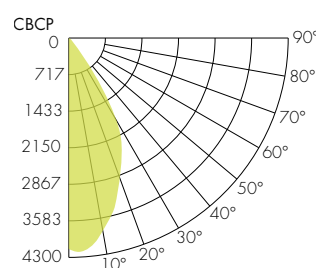
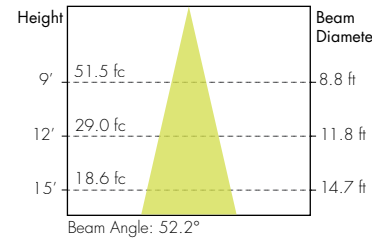
30° Faceted Reflector



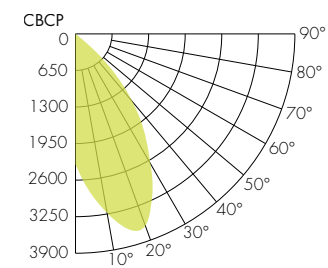
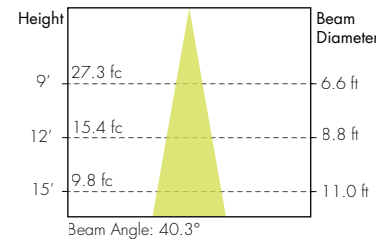
80° Smooth Reflector



45° Faceted Reflector



Wall Wash 18° Faceted Reflector



60° Faceted Reflector

