

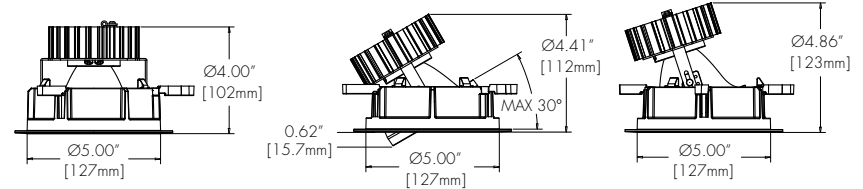
# ARTEMIS 3

## DOWNLIGHT - ADJUSTABLE - WALL WASH



### Features

- Available as a fixed downlight, a wall washer, and an adjustable fixture with 360° rotation and up to 30° angle adjustment.
- Ceiling thickness must be between 1/4" and 1" (6mm & 25mm).
- Faceted and Smooth metal reflectors provide beam spreads between 10° to 80°
- Five year warranty.



### Finish Options

- White
- Black
- Silver



### Technical Information

OUTPUT OPTIONS	1000 lm	1500 lm	2000 lm	3000 lm
<b>Fixture wattage</b>	9.1 W	14.0W	19.8 W	31.8 W
<b>Delivered Lumen at 3500K</b>	913 lm	1421 lm	2001 lm	2910 lm
<b>Efficacy</b>	100 lm/W	102 lm/W	101 lm/W	92 lm/W
<b>Center Beam Candlepower (10° Faceted Reflector)</b>	9864 cd	15352 cd	21619 cd	31440 cd

CCT	Multiplier	CRI	TM-30		
			R <sub>f</sub>	R <sub>g</sub>	R <sub>9</sub>
2500K	0.81	92	90	104	77
2700K	0.92	92	91	102	61
3000K	0.97	95	92	102	61
3500K	1.00	95	93	101	72
4000K	1.07	95	92	103	68
6500K	1.05	96	91	100	89

### Ordering Code

Example: Fixture ART3-D-TR-10-25K-F10-NA-WH-WH  
HRM-ART3-D-TR-10-25K-PHSD-NA

#### Fixture

MODEL	TYPE	TRIM	OUTPUT	CCT	OPTIC	ACCESSORY	TRIM FINISH	BAFFLE FINISH
ART3-Artemis 3"	D-Fixed Downlight A-Adjustable W-Wall Wash <sup>1</sup>	TR-Trimmed TL-Trimless	10-1000 lumens (9.1W) 15-1500 lumens (14.0W) 20-2000 lumens (19.8W) 30-3000 lumens (31.8W) <sup>2</sup>	25K-2500K 27K-2700K 30K-3000K 35K-3500K 40K-4000K 65K-6500K	F10-10 Degree, Faceted F18-18 Degree, Faceted F30-30 Degree, Faceted F45-45 Degree, Faceted F60-60 Degree, Faceted S30-30 Degree, Smooth S45-45 Degree, Smooth S80-80 Degree, Smooth	NA-No Accessory CL-Clear Lens DL-Diffusing Lens HC-Honeycomb Louver SL-Solite Lens	WH-White BK-Black SL-Silver	WH-White BK-Black SL-Silver

HOUSING	MODEL	TRIM	OUTPUT	CCT	DRIVER	DRIVER OPTIONS
HRM-Remote Power Supply (Non-IC) HP-New Construction Pan (Non-IC) HIC-Housing, IC Rated <sup>2</sup> HCP-Housing, IC Rated, Chicago Plenum Rated <sup>2</sup>	ART3-D-Artemis 3" Downlight ART3-A-Artemis 3" Adjustable ART3-W-Artemis 3" Wall Wash	Same as Fixture	Same as Fixture	Same as Fixture	PHSD-Forward/Reverse Phase, 1% Dimming, 120V Only 010S-0-10V, 1% Dimming, 120/277V 0103-0-10V, 1% Dimming, 347V Only 010L-EldoLED, 0-10V, Linear, 0.1% Dimming, 120/277V 010G-EldoLED, 0-10V, Log, 0.1% Dimming, 120/277V DALI-EldoLED, DALI Protocol 2, DT-6, 0.1% Dimming, 120/277V DALI8-EldoLED, DALI Protocol 2, DT-8, 0.1% Dimming, 120/277V <sup>4</sup> LUTE-Lutron Hilume Ecodigital, 1% Dimming, 120V/277V <sup>3,4</sup> DMX-EldoLED, DMX, 0.1% Dimming, 120V/277V <sup>4</sup>	NA-None EMG-Emergency Driver <sup>5</sup> AWN- Athena <sup>6</sup>

1 - Wall Wash is only available with Optic F18 - 18 Degree, Faceted and DL - Diffusing Lens.  
2 - Housings HIC and HCP are not available when output exceeds 2000 lumens.  
3 - LUTE driver is not available at 700 lumens.  
4 - Drivers DALI8/LUTE/DMX/EMG are only available with HRM - Remote Power Supply.

5 - Emergency option comes prewired from factory with driver in remote housing. 8W of continuous power provided for a minimum of 90 minutes. Must be installed within 30 feet of luminaire using 18 AWG wire. Only available with 010S/010L/010G/PHSD/DALI Drivers.  
6 - AWNR only available with HP/HIC/HCP Housings and 010S Driver.  
7 - Requires Thermal Protector, please inform manufacturer of Building Voltage 120V, 277V, or 347V. Thermals are not Universal.

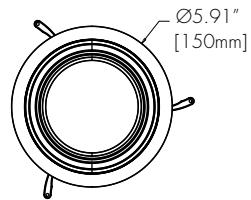
CONTACT FACTORY FOR MORE OPTIONS

# ARTEMIS 3

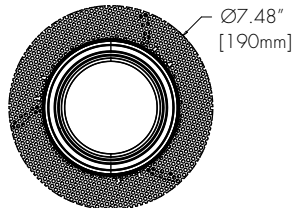
DOWNLIGHT - ADJUSTABLE - WALL WASH

## Dimensions

Trimmed



Trimless



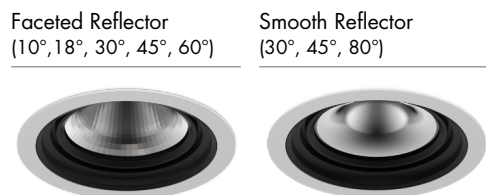
## Downlight & Adjustable Lens



## Wall Wash Lens



## Optics



## Trim Finishes



## Baffle Finishes



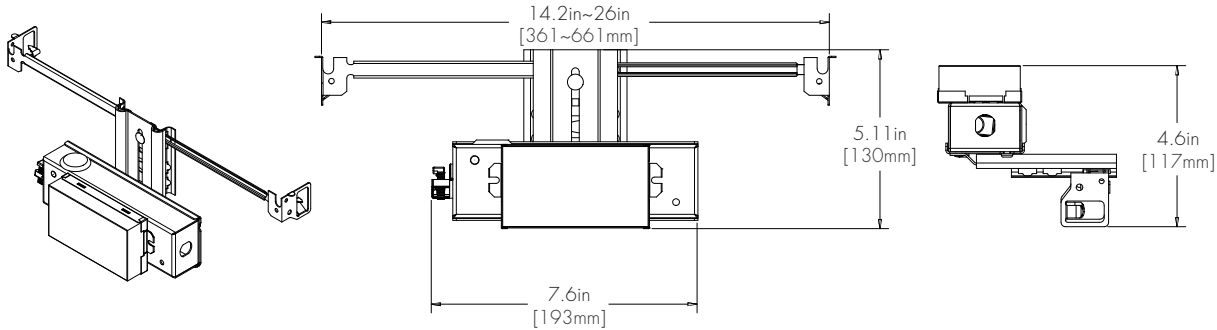
Any combination may be used for Trim and Baffle finishes.

## Remote Driver Housing

Maximum mounting distance to luminaire using 18 AWG wire

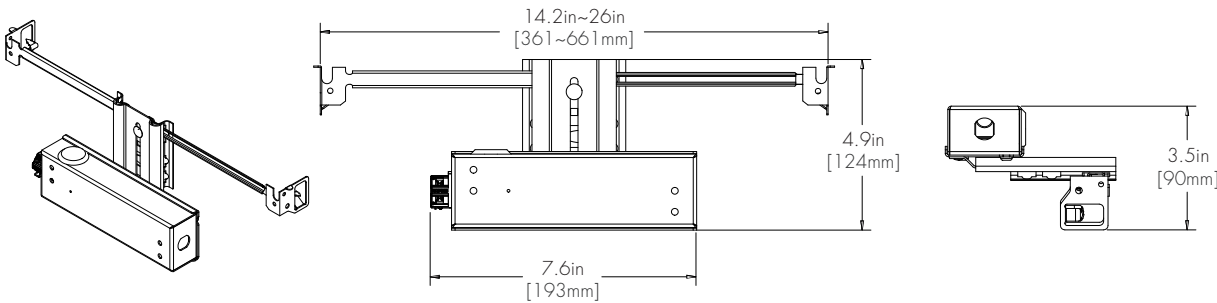
010S	PHSD	010L	010G	DALI DALI8	DMX	LUTE
16'	16'	72'	72'	72'	149'	15'

### HRM Single with Externally Mounted Driver



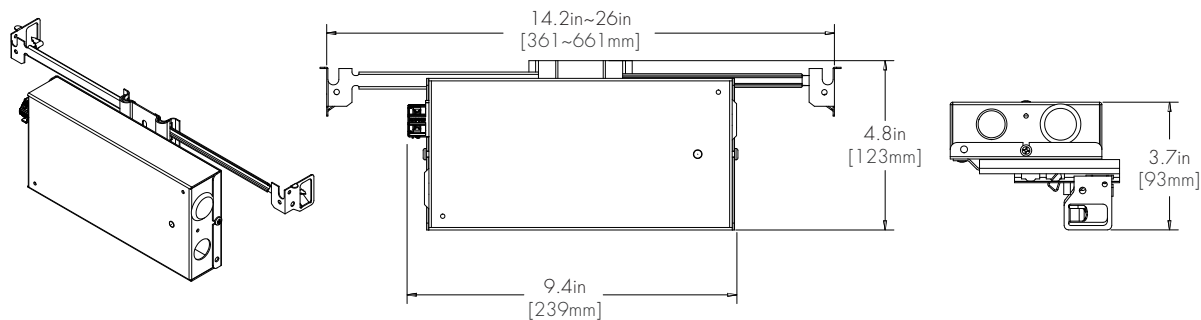
Driver	+	Driver Option
010L	+	NA
010G	+	NA
010S	+	NA
DALI	+	NA
LUTE	+	NA

### HRM Single



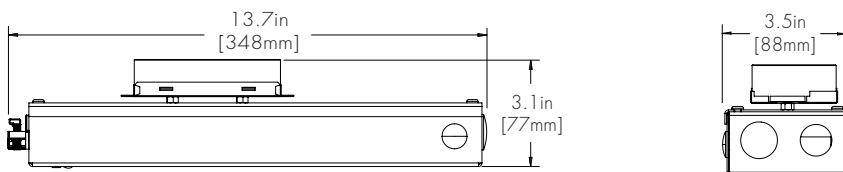
Driver	+	Driver Option
PHSD	+	NA

### HRM Double



Driver	+	Driver Option
DALI8	+	NA
DMX	+	NA

### EMG Emergency Driver (120 minutes EMG operation time)



Driver	+	Driver Option
010L	+	EMG
010G	+	EMG
010S	+	EMG
DALI	+	EMG
PHSD	+	EMG

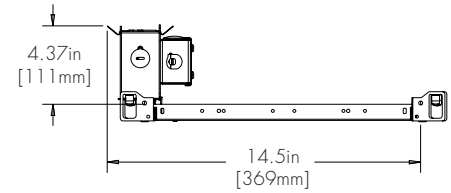
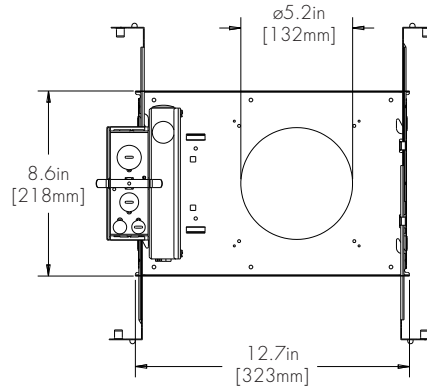
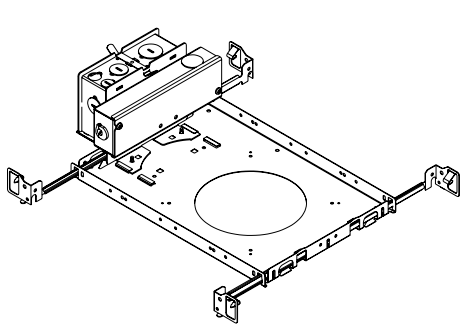
# ARTEMIS 3

DOWNLIGHT - ADJUSTABLE - WALL WASH

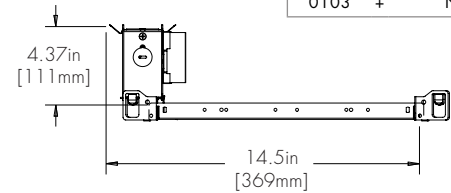
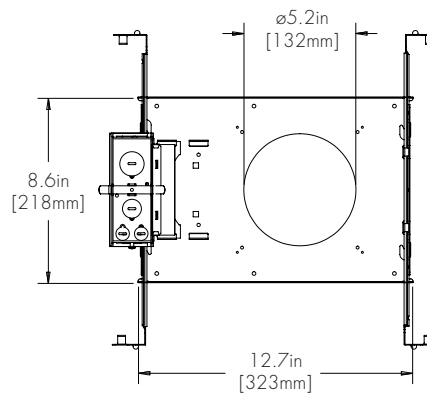
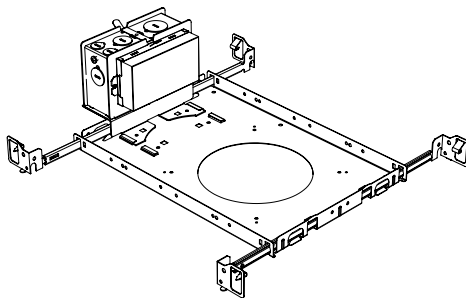
## Remote Driver Housing

### HP

New Construction Pan (Non-IC)



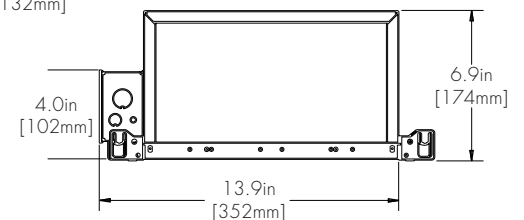
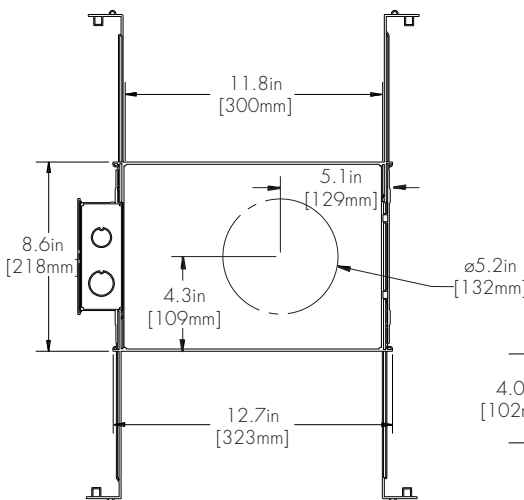
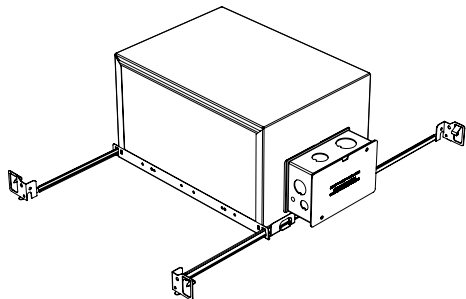
Driver	+ Driver Option
PHSD	+ NA



Driver	+ Driver Option
DALI	+ NA
010S	+ NA
010S	+ AWRNR
010L	+ NA
010G	+ NA
0103	+ NA

### HIC/HCP

Housing, IC Rated/ Housing, IC Rated, Chicago Plenum Rated



Driver	+ Driver Option
PHSD	+ NA
DALI	+ NA
010S	+ NA
010S	+ AWRNR
010L	+ NA
010G	+ NA
0103	+ NA

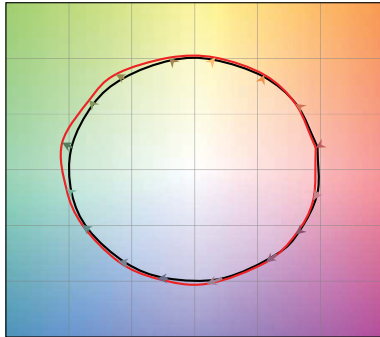
# ARTEMIS 3

DOWNLIGHT - ADJUSTABLE - WALL WASH

TM-30

**2500K**

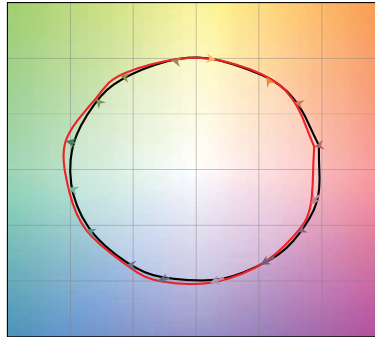
COLOR VECTOR GRAPHIC



— Reference Source — Test Source

**2700K**

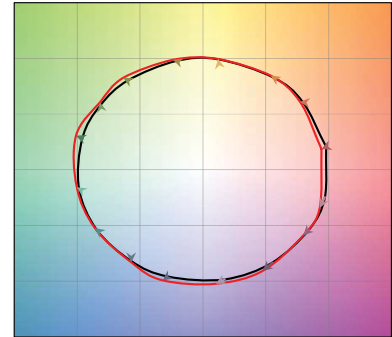
COLOR VECTOR GRAPHIC



— Reference Source — Test Source

**3000K**

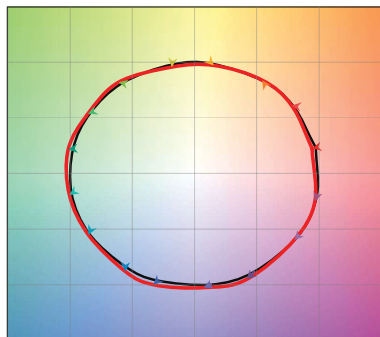
COLOR VECTOR GRAPHIC



— Reference Source — Test Source

**3500K**

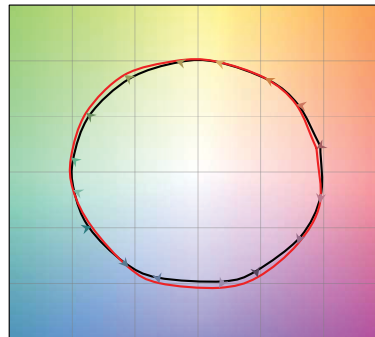
COLOR VECTOR GRAPHIC



— Reference Source — Test Source

**4000K**

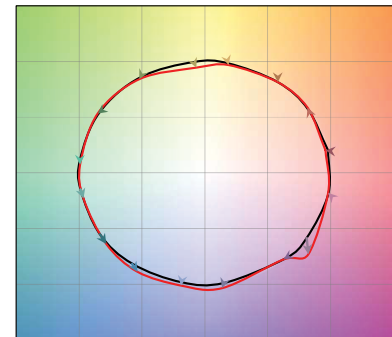
COLOR VECTOR GRAPHIC



— Reference Source — Test Source

**6500K**

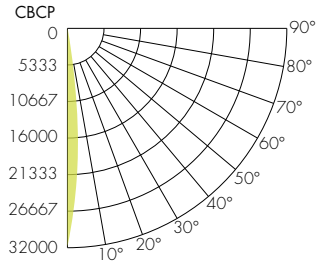
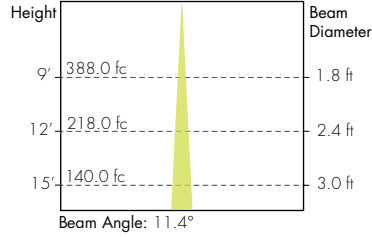
COLOR VECTOR GRAPHIC



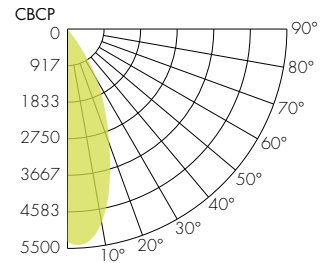
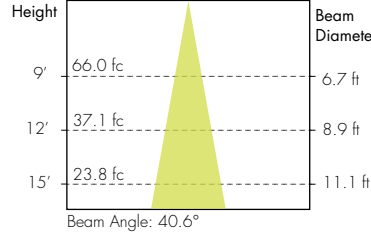
— Reference Source — Test Source

## Photometry

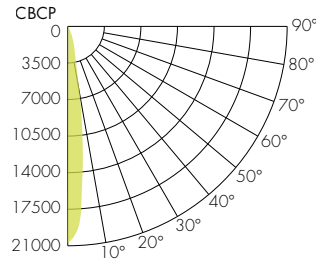
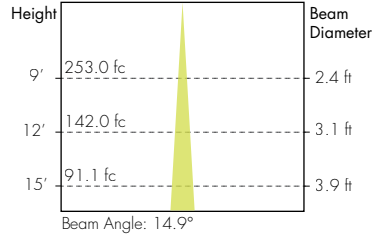
### 10° Faceted Reflector



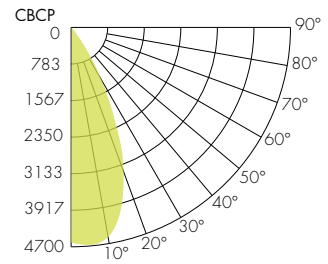
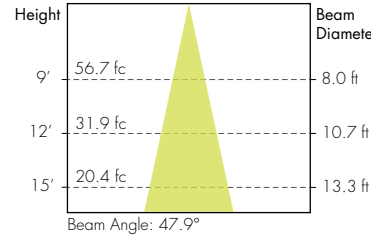
### 30° Smooth Reflector



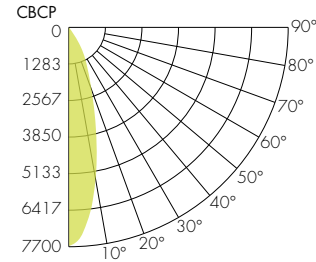
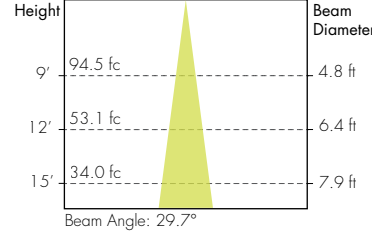
### 18° Faceted Reflector



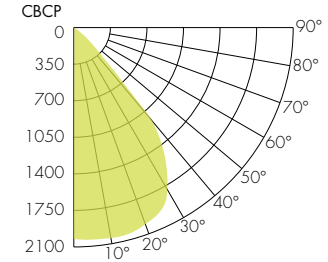
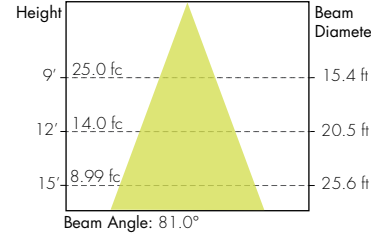
### 45° Smooth Reflector



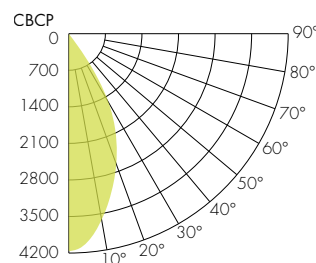
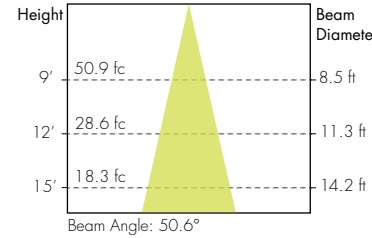
### 30° Faceted Reflector



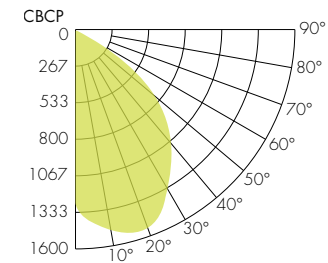
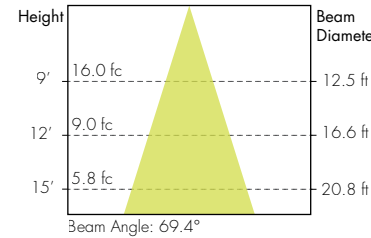
### 80° Smooth Reflector



### 45° Faceted Reflector



### Wall Wash 18° Faceted Reflector



### 60° Faceted Reflector

