

ARTEMIS 2

DOWNLIGHT - ADJUSTABLE - WALL WASH
TUNABLE WHITE & WARM DIM

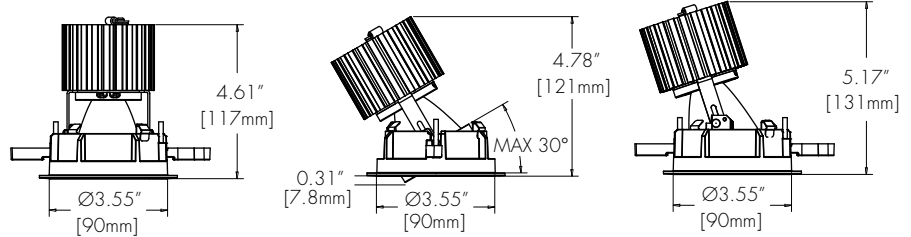


Features

- Available as a fixed downlight, a wall washer, and an adjustable fixture with 360° rotation and up to 30° angle adjustment.
- Ceiling thickness must be between 1/4" and 1" (6mm & 25mm).
- Faceted and Smooth metal reflectors provide beam spreads between 15° to 60°
- Five year warranty.

Finish Options

- White
- Black
- Silver



Technical Information

TYPE	WD1830				TW2765	TM-30				
	700 lm	1000 lm	1500 lm	2000 lm	1500 lm	CCT	CRI	R _f	R _g	R ₉
OUTPUT OPTIONS	700 lm	1000 lm	1500 lm	2000 lm	1500 lm					
Fixture wattage	7.6 W	12.2 W	16.0 W	24.3 W	14.9 W					
Delivered Lumen at full on	713 lm	1042 lm	1452 lm	2025 lm	1445 lm					
Efficacy	94 lm/W	85 lm/W	91 lm/W	83 lm/W	97 lm/W					
Center Beam Candlepower (15° Faceted Reflector)	3728 cd	5448 cd	7593 cd	10589 cd	7556 cd					
						1800K	94	90	93	61
						3000K	94	89	97	72
						2700K	91	90	96	59
						6500K	93	87	97	73

Ordering Code

Example: Fixture ART2-D-TR-07-WD1830-F15-NA-WH-WH
HRM-ART2-D-TR-07-WD1830-PHSD-NA

MODEL	TYPE	TRIM	OUTPUT	CCT	OPTIC	ACCESSORY	TRIM FINISH	BAFFLE FINISH
ART2-Artemis 2"	D-Fixed Downlight A-Adjustable W-Wall Wash ¹	TR-Trimmed TL-Trimless	07-700 lumens 10-1000 lumens 15-1500 lumens 20-2000 lumens	WD1830-Warm Dim, 1800K-3000K TW2765-Tunable White, 2700K-6500K ^{6,7,8}	F15-15 Degree, Faceted F30-30 Degree, Faceted F45-45 Degree, Faceted F60-60 Degree, Faceted S30-30 Degree, Smooth S45-45 Degree, Smooth	NA-No Accessory CL-Clear Lens DL-Diffusing Lens HC-Honeycomb Louver SL-Solite Lens SP-Spread Lens	WH-White BK-Black SL-Silver	WH-White BK-Black SL-Silver
HOUSING	MODEL	TRIM	OUTPUT	CCT	DRIVER	DRIVER OPTIONS		
HRM-Remote Power Supply (Non-IC) HP-New Construction Pan (Non-IC) HIC-Housing, IC Rated ² HCP-Housing, IC Rated, Chicago Plenum Rated ²	ART2-D-Artemis 2" Downlight ART2-A-Artemis 2" Adjustable ART2-W-Artemis 2" Wall Wash	Same as Fixture	Same as Fixture	Same as Fixture	PHSD-Forward/Reverse Phase, 1% Dimming, 120V Only 010S-0-10V, 1% Dimming, 120/277V 0103-0-10V, 1% Dimming, 347V Only ⁴ 010L-EldoLED, 0-10V, Linear, 0.1% Dimming, 120/277V ⁴ 010G-EldoLED, 0-10V, Log, 0.1% Dimming, 120/277V ⁴ DALI-EldoLED, DALI Protocol 2, DT-6, 0.1% Dimming, 120/277V ⁴ DALI8-EldoLED, DALI Protocol 2, DT-8, 0.1% Dimming, 120/277V ⁴ LUTE-Lutron Hilume Ecodigital, 1% Dimming, 120V/277V ^{3,4} DMX-EldoLED, DMX, 0.1% Dimming, 120V/277V ⁴	NA-None EMG-Emergency Driver ^{4,5}		

- 1 - Wall Wash is only available with Optic F15 - 15 Degree, Faceted and DL - Diffusing Lens.
- 2 - Housings HIC and HCP are not available when output exceeds 2000 lumens.
- 3 - LUTE driver is not available at 700 lumens.
- 4 - Drivers 0103/010L/010G/DALI/DALI8/LUTE/DMX/EMG are only available with HRM- Remote Power Supply.

- 5 - Emergency option comes prewired from factory with driver in remote housing. 8W of continuous power provided for a minimum of 90 minutes. Must be installed within 30 feet of luminaire using 18 AWG wire. Only available with 010S/010L/010G/PHSD/DALI Drivers.
- 6 - TW2765 only available with 1500 lumens.
- 7 - TW2765 only available with Drivers 010L/010G/DALI8/DMX. Cannot use with EMG Driver Option.
- 8 - TW2765 requires HRM - Remote Power Supply.

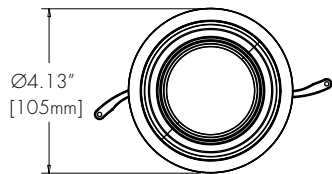
CONTACT FACTORY FOR MORE OPTIONS.

ARTEMIS 2

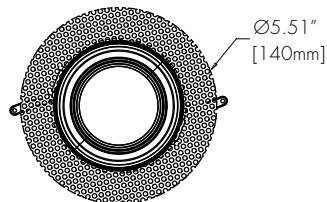
DOWNLIGHT - ADJUSTABLE - WALL WASH
TUNABLE WHITE & WARM DIM

Dimensions

Trimmed



Trimless



Downlight & Adjustable Lens

CL

Clear Lens



DL

Diffusing Lens



HC

Honeycomb Louver



SP

Spread Lens



SL

Solite Lens



Wall Wash Lens

DL

Diffusing Lens



Optics

Faceted Reflector
(15°, 30°, 45°, 60°)



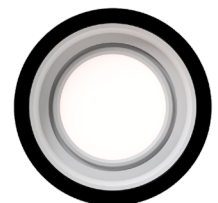
Smooth Reflector
(30°, 45°)



Trim Finishes

BK

Black



WH

White



SL

Silver



Baffle Finishes

BK

Black



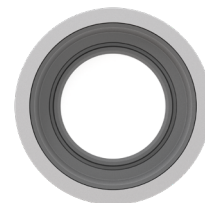
WH

White



SL

Silver



Any combination may be used for Trim and Baffle finishes.

ARTEMIS 2

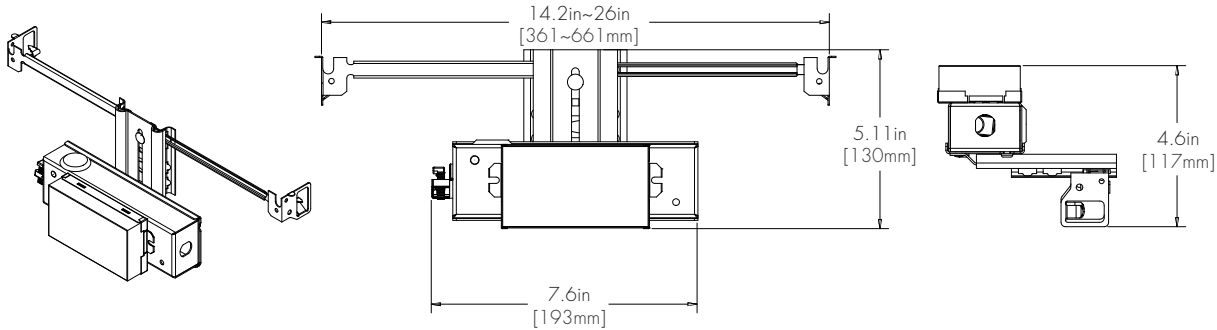
DOWNLIGHT - ADJUSTABLE - WALL WASH
TUNABLE WHITE & WARM DIM

Remote Driver Housing

Maximum mounting distance to luminaire using 18 AWG wire

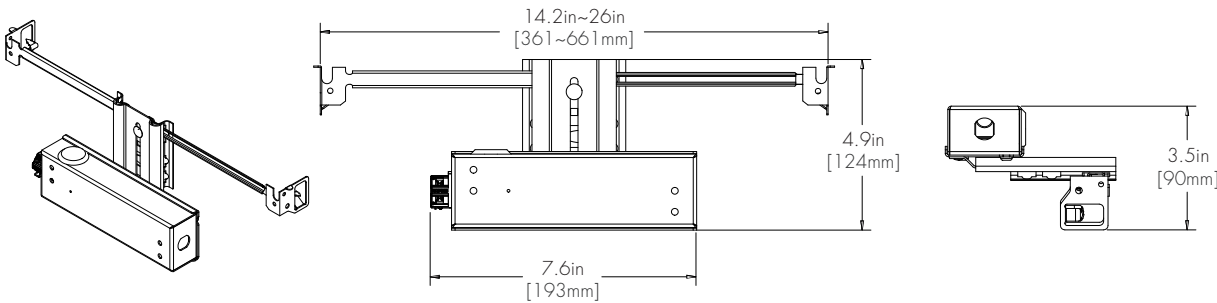
010S	PHSD	010L	010G	DALI DALI8	DMX	LUTE
16'	16'	72'	72'	72'	149'	15'

HRM Single with Externally Mounted Driver



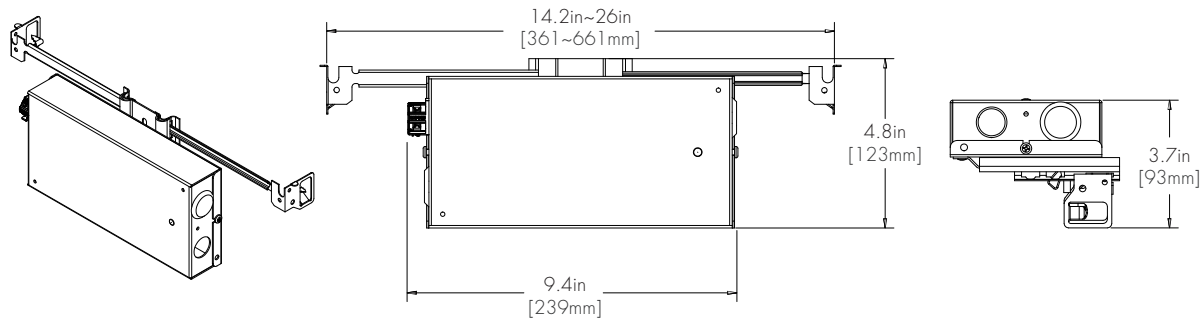
Driver	+	Driver Option
010L	+	NA
010G	+	NA
010S	+	NA
DALI	+	NA
LUTE	+	NA

HRM Single



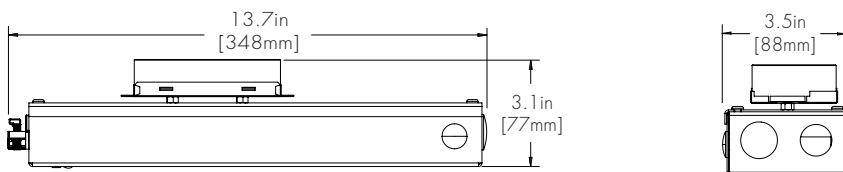
Driver	+	Driver Option
PHSD	+	NA

HRM Double



Driver	+	Driver Option
DALI8	+	NA
DMX	+	NA

EMG Emergency Driver (120 minutes EMG operation time)



Driver	+	Driver Option
010L	+	EMG
010G	+	EMG
010S	+	EMG
DALI	+	EMG
PHSD	+	EMG

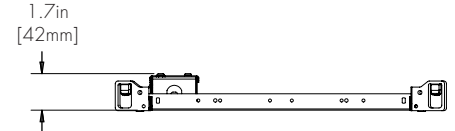
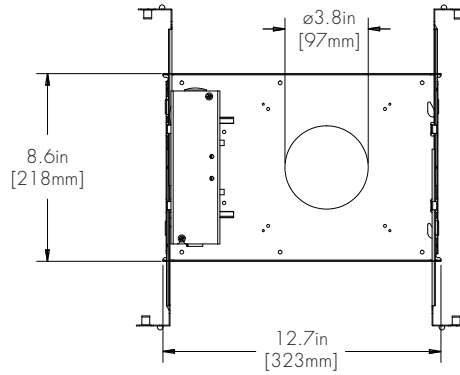
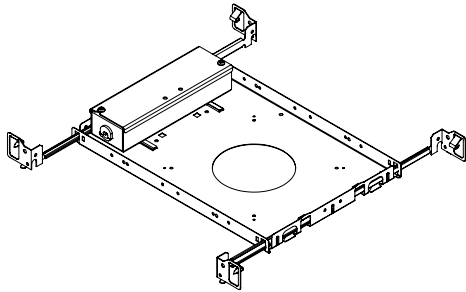
ARTEMIS 2

DOWNLIGHT - ADJUSTABLE - WALL WASH
TUNABLE WHITE & WARM DIM

Remote Driver Housing

HP

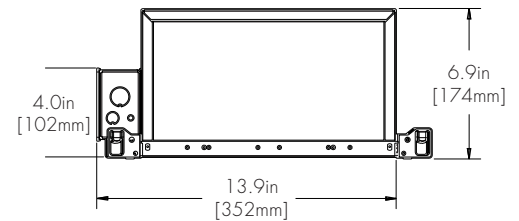
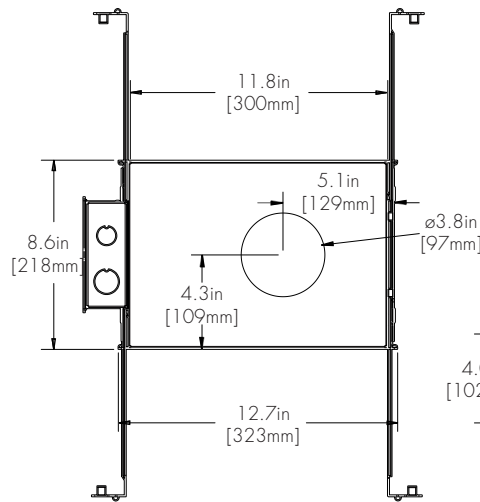
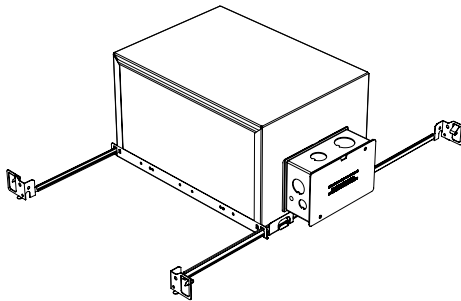
New Construction Pan (Non-IC)



Driver	+	Driver Option
PHSD	+	NA
010S	+	NA

HIC/HCP

Housing, IC Rated/ Housing, IC Rated, Chicago Plenum Rated



Driver	+	Driver Option
PHSD	+	NA
010S	+	NA

ARTEMIS 2

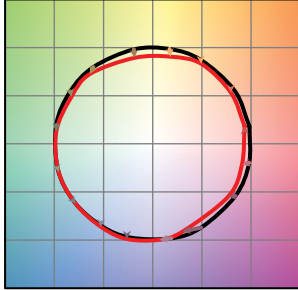
DOWNLIGHT - ADJUSTABLE - WALL WASH
TUNABLE WHITE & WARM DIM



TM-30

Warm Dim 1800K

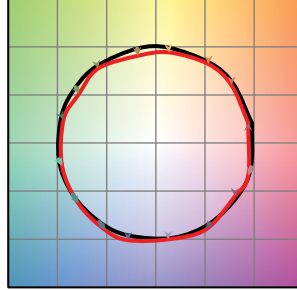
COLOR VECTOR GRAPHIC



— Reference Source — Test Source

Warm Dim 3000K

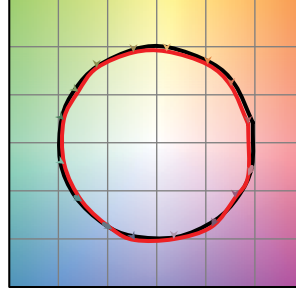
COLOR VECTOR GRAPHIC



— Reference Source — Test Source

Tunable White 2700K

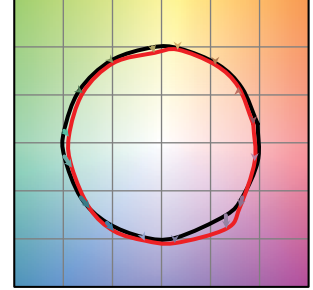
COLOR VECTOR GRAPHIC



— Reference Source — Test Source

Tunable White 6500K

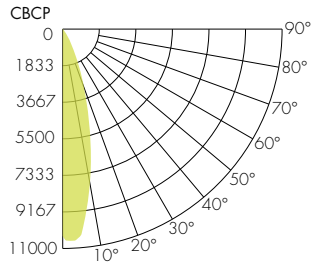
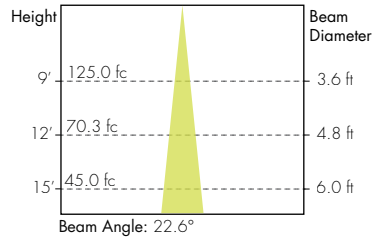
COLOR VECTOR GRAPHIC



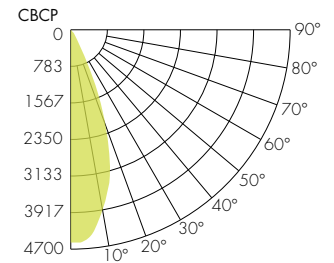
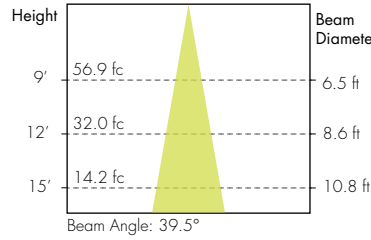
— Reference Source — Test Source

Photometry

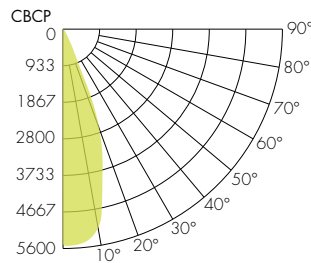
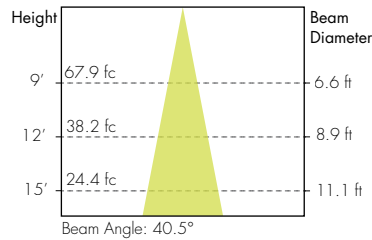
15° Faceted Reflector



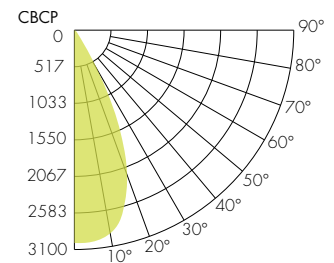
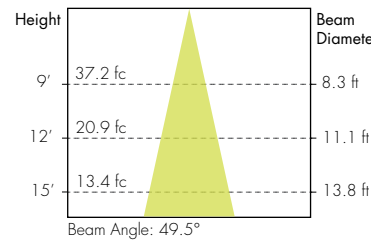
30° Smooth Reflector



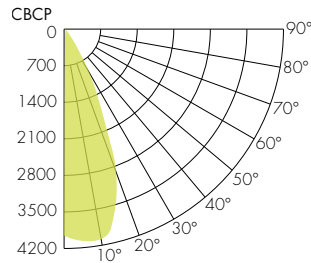
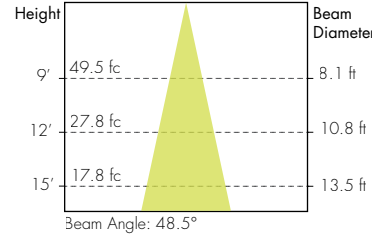
30° Faceted Reflector



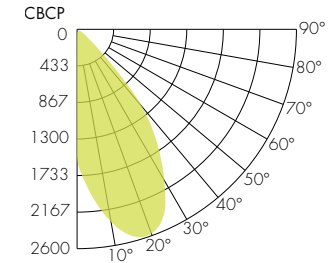
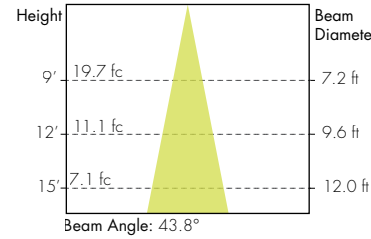
45° Smooth Reflector



45° Faceted Reflector



Wall Wash 15° Faceted Reflector



60° Faceted Reflector

