

ARTEMIS 2

DOWNLIGHT - ADJUSTABLE - WALL WASH

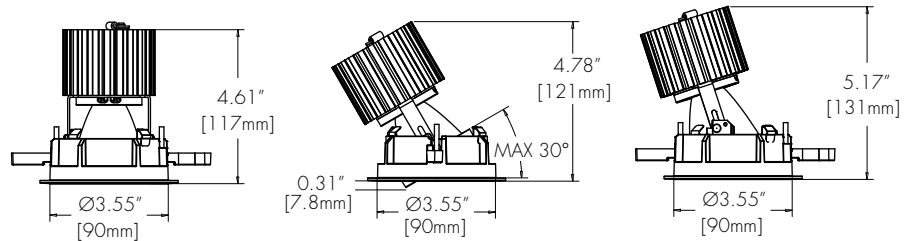


Features

- Available as a fixed downlight, a wall washer, and an adjustable fixture with 360° rotation and up to 30° angle adjustment.
- Ceiling thickness must be between 1/4" and 1" (6mm & 25mm).
- Faceted and Smooth metal reflectors provide beam spreads between 15° to 60°
- Five year warranty.

Finish Options

- White
- Black
- Silver



Technical Information

| OUTPUT OPTIONS | 700 lm | 1000 lm | 1500 lm | 2000 lm |
|---|---------|---------|---------|----------|
| Fixture wattage | 7.4 W | 10.6 W | 16.6 W | 25.2 W |
| Delivered Lumen at 3500K | 714 lm | 944 lm | 1465 lm | 2160 lm |
| Efficacy | 96 lm/W | 89 lm/W | 88 lm/W | 86 lm/W |
| Center Beam Candlepower (15° Faceted Reflector) | 4382 cd | 5794 cd | 8991 cd | 13257 cd |

| CCT | Multiplier | CRI | TM-30 | | |
|-------|------------|-----|----------------|----------------|----------------|
| | | | R _f | R _g | R ₉ |
| 2500K | 0.81 | 92 | 90 | 104 | 77 |
| 2700K | 0.92 | 92 | 91 | 102 | 61 |
| 3000K | 0.97 | 95 | 92 | 102 | 61 |
| 3500K | 1.00 | 95 | 93 | 101 | 72 |
| 4000K | 1.07 | 95 | 92 | 103 | 68 |
| 6500K | 1.05 | 96 | 91 | 100 | 89 |

Ordering Code

Example: Fixture HRM-ART2-D-TR-07-25K-F15-NA-WH-WH
HRM-ART2-D-TR-07-25K-PHSD-NA

Fixture

| MODEL | TYPE | TRIM | OUTPUT | CCT | OPTIC | ACCESSORY | TRIM FINISH | BAFFLE FINISH |
|-----------------|---|---------------------------|--|--|--|--|-----------------------------------|-----------------------------------|
| ART2-Artemis 2" | D-Fixed Downlight A-Adjustable W-Wall Wash ¹ | TR-Trimmed TL-Trimless | 07-700 lumens (7.4W) 10-1000 lumens (10.6W) 15-1500 lumens (16.6W) 20-2000 lumens (25.2W) | 25K-2500K 27K-2700K 30K-3000K 35K-3500K 40K-4000K 65K-6500K | F15-15 Degree, Faceted F30-30 Degree, Faceted F45-45 Degree, Faceted F60-60 Degree, Faceted S30-30 Degree, Smooth S45-45 Degree, Smooth | NA-No Accessory CL-Clear Lens DL-Diffusing Lens HC-Honeycomb Louver SL-Solite Lens SP-Spread Lens | WH-White BK-Black SL-Silver | WH-White BK-Black SL-Silver |

| HOUSING | MODEL | TRIM | OUTPUT | CCT | DRIVER | DRIVER OPTIONS |
|--|--|-----------------|-----------------|-----------------|--|--|
| HRM-Remote Power Supply (Non-IC) HP-New Construction Pan (Non-IC) HIC-Housing, IC Rated ² HCP-Housing, IC Rated, Chicago Plenum Rated ² | ART2-D-Artemis 2" Downlight ART2-A-Artemis 2" Adjustable ART2-W-Artemis 2" Wall Wash | Same as Fixture | Same as Fixture | Same as Fixture | PHSD-Forward/Reverse Phase, 1% Dimming, 120V Only 010S-0-10V, 1% Dimming, 120/277V 0103-0-10V, 1% Dimming, 347V Only ⁴ 010L-EldoLED, 0-10V, Linear, 0.1% Dimming, 120/277V ⁴ 010G-EldoLED, 0-10V, Log, 0.1% Dimming, 120/277V ⁴ DALI-EldoLED, DALI Protocol 2, DT-6, 0.1% Dimming, 120/277V ⁴ DALI8-EldoLED, DALI Protocol 2, DT-8, 0.1% Dimming, 120/277V ⁴ LUTE-Lutron Hilume Ecodigital, 1% Dimming, 120V/277V ^{3,4} DMX-EldoLED, DMX, 0.1% Dimming, 120V/277V ⁴ | NA-None EMG-Emergency Driver ^{4,5} |

- Wall Wash is only available with Optic F15 - 15 Degree, Faceted and DL - Diffusing Lens.
- Housings HIC and HCP are not available when output exceeds 2000 lumens.
- LUTE driver is not available at 700 lumens.
- Drivers 0103/010L/010G/DALI/DALI8/LUTE/DMX/EMG are only available with HRM- Remote Power Supply.

- Emergency option comes prewired from factory with driver in remote housing. 8W of continuous power provided for a minimum of 90 minutes. Must be installed within 30 feet of luminaire using 18 AWG wire. Only available with 010S/010L/010G/PHSD/DALI Drivers.

CONTACT FACTORY FOR MORE OPTIONS

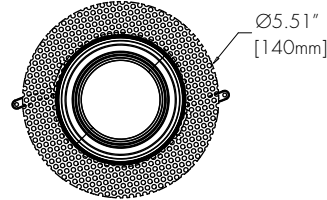
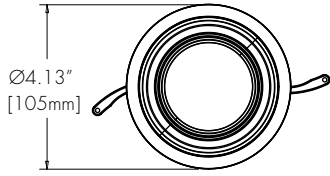
ARTEMIS 2

DOWNLIGHT - ADJUSTABLE - WALL WASH

Dimensions

Trimmed

Trimless



Downlight & Adjustable Lens

CL
Clear Lens



DL
Diffusing Lens



HC
Honeycomb Louver



SP
Spread Lens



SL
Solite Lens



Wall Wash Lens

DL
Diffusing Lens



Optics

Faceted Reflector
(15°, 30°, 45°, 60°)

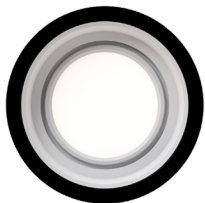


Smooth Reflector
(30°, 45°)



Trim Finishes

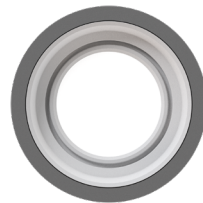
BK
Black



WH
White



SL
Silver



Baffle Finishes

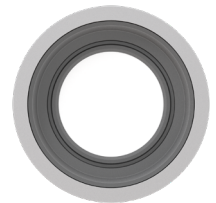
BK
Black



WH
White



SL
Silver



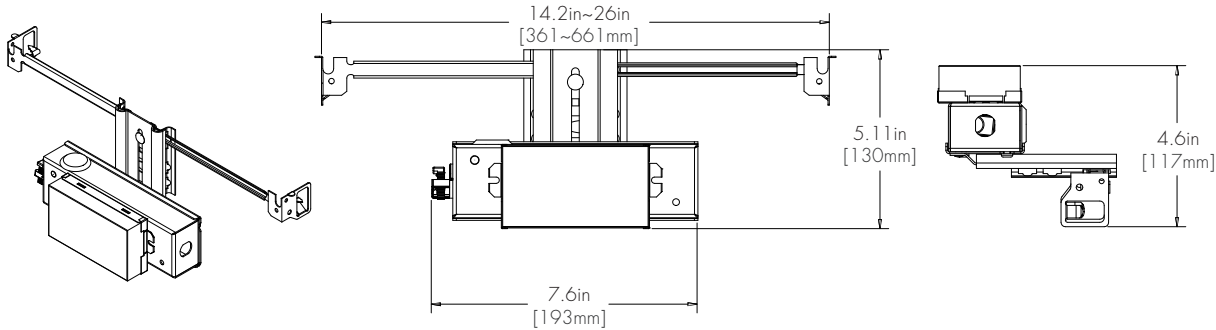
Any combination may be used for Trim and Baffle finishes.

Remote Driver Housing

Maximum mounting distance to luminaire using 18 AWG wire

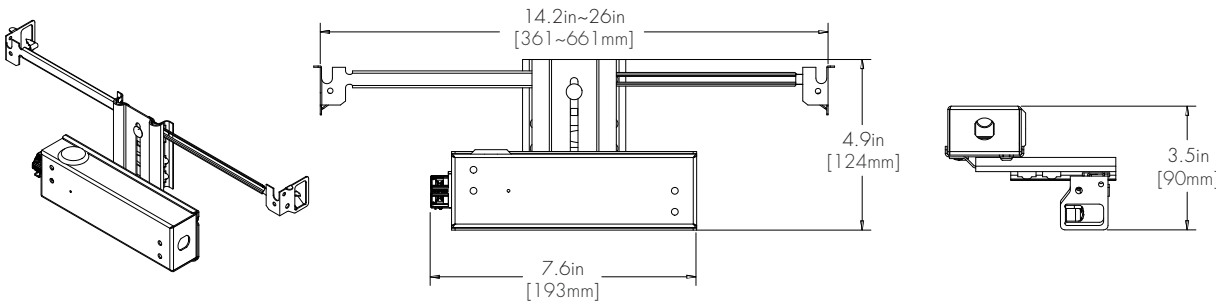
| 010S | PHSD | 010L | 010G | DALI DALI8 | DMX | LUTE |
|------|------|------|------|---------------|------|------|
| 16' | 16' | 72' | 72' | 72' | 149' | 15' |

HRM Single with Externally Mounted Driver



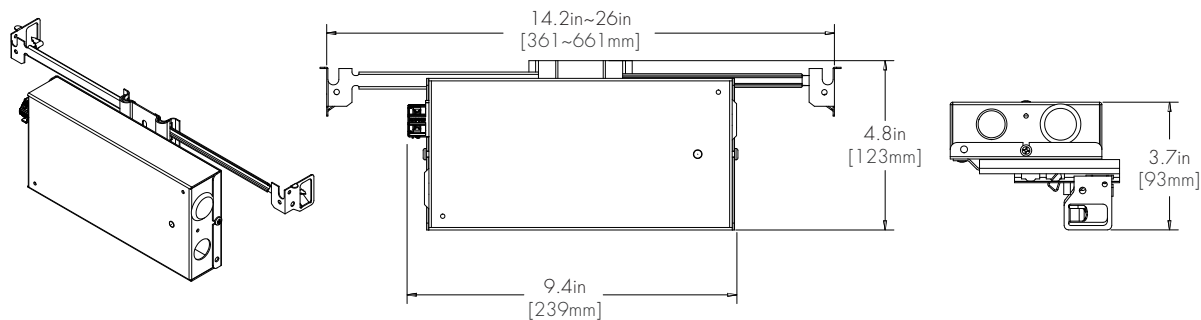
| Driver + Driver Option | | |
|------------------------|---|----|
| 010L | + | NA |
| 010G | + | NA |
| 010S | + | NA |
| DALI | + | NA |
| LUTE | + | NA |

HRM Single



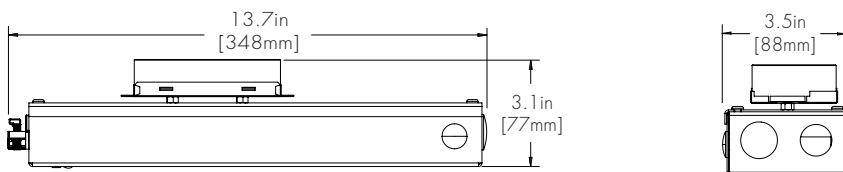
| Driver + Driver Option | | |
|------------------------|---|----|
| PHSD | + | NA |

HRM Double



| Driver + Driver Option | | |
|------------------------|---|----|
| DALI8 | + | NA |
| DMX | + | NA |

EMG Emergency Driver (120 minutes EMG operation time)



| Driver + Driver Option | | |
|------------------------|---|-----|
| 010L | + | EMG |
| 010G | + | EMG |
| 010S | + | EMG |
| DALI | + | EMG |
| PHSD | + | EMG |

ARTEMIS 2

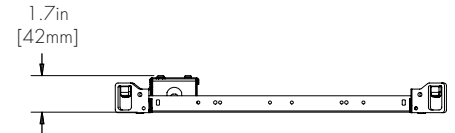
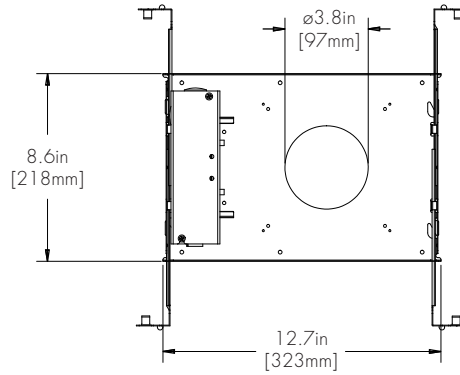
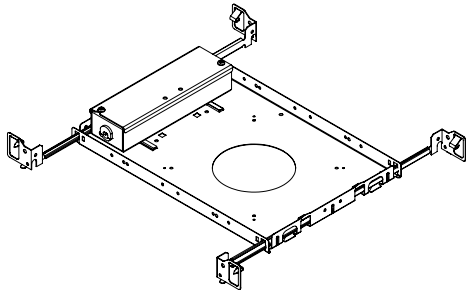
DOWNLIGHT - ADJUSTABLE - WALL WASH



Remote Driver Housing

HP

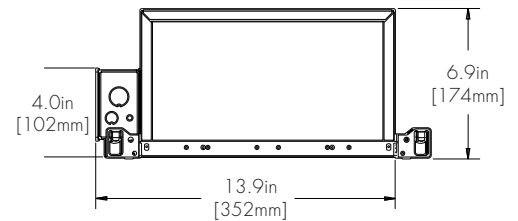
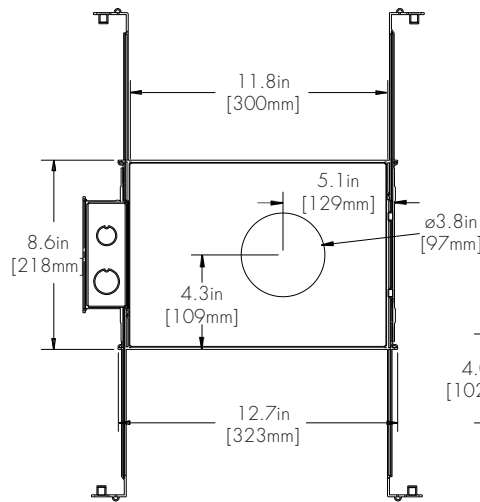
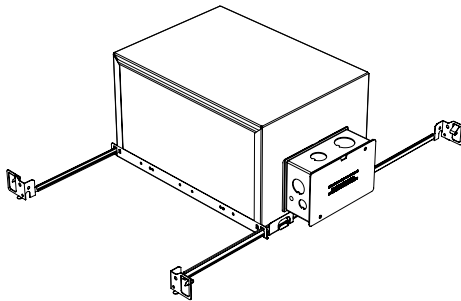
New Construction Pan (Non-IC)



| Driver | + | Driver Option |
|--------|---|---------------|
| PHSD | + | NA |
| 010S | + | NA |

HIC/HCP

Housing, IC Rated/ Housing, IC Rated, Chicago Plenum Rated



| Driver | + | Driver Option |
|--------|---|---------------|
| PHSD | + | NA |
| 010S | + | NA |

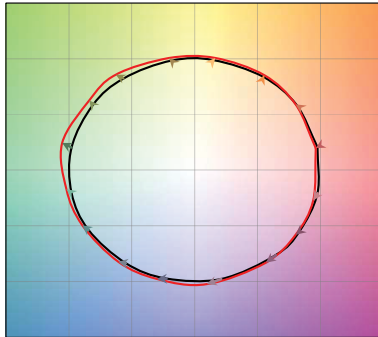
ARTEMIS 2

DOWNLIGHT - ADJUSTABLE - WALL WASH

TM-30

2500K

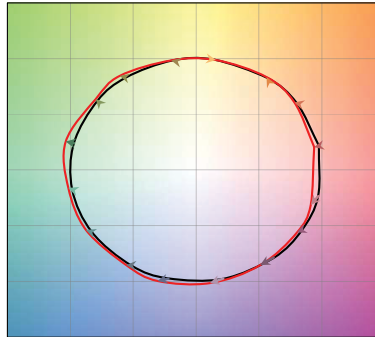
COLOR VECTOR GRAPHIC



— Reference Source — Test Source

2700K

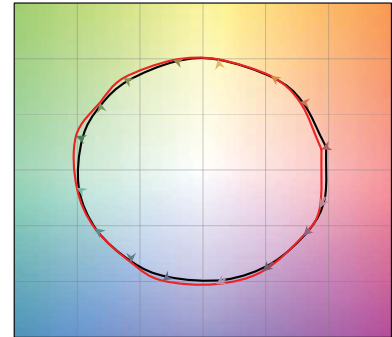
COLOR VECTOR GRAPHIC



— Reference Source — Test Source

3000K

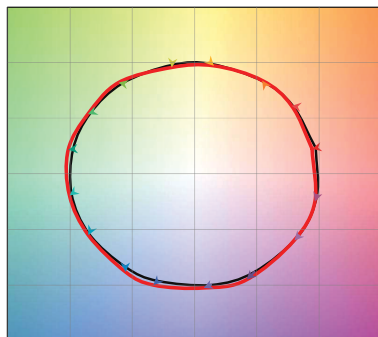
COLOR VECTOR GRAPHIC



— Reference Source — Test Source

3500K

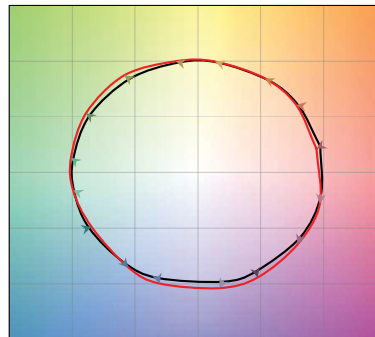
COLOR VECTOR GRAPHIC



— Reference Source — Test Source

4000K

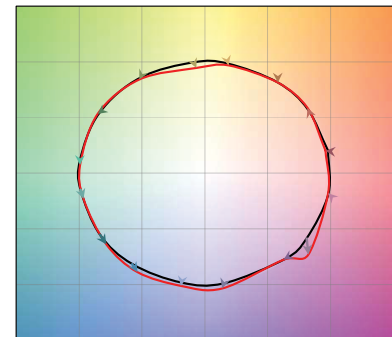
COLOR VECTOR GRAPHIC



— Reference Source — Test Source

6500K

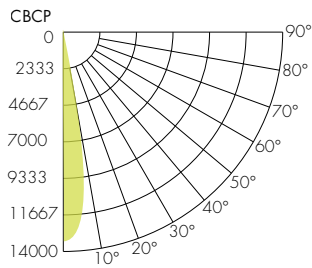
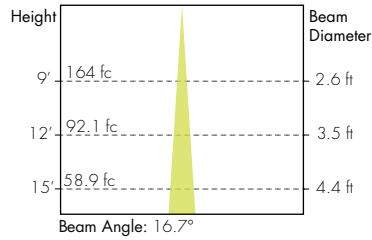
COLOR VECTOR GRAPHIC



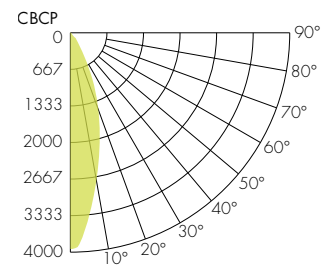
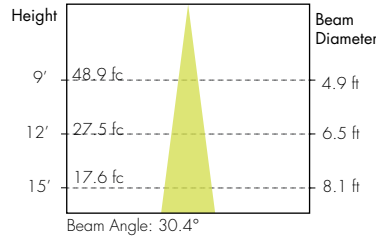
— Reference Source — Test Source

Photometry

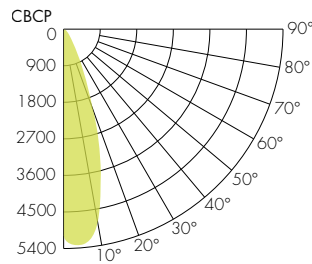
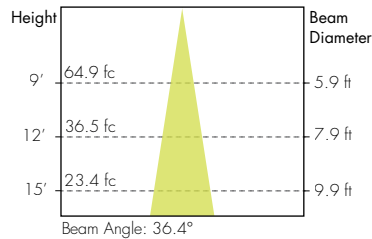
15° Faceted Reflector



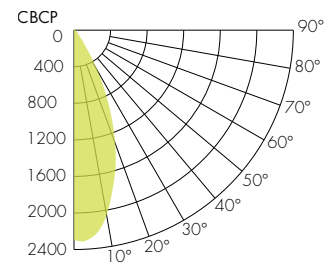
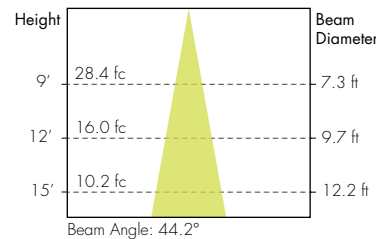
30° Smooth Reflector



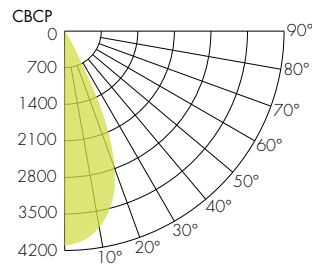
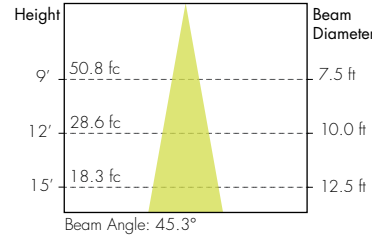
30° Faceted Reflector



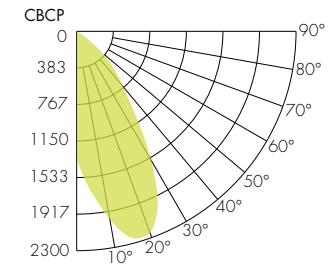
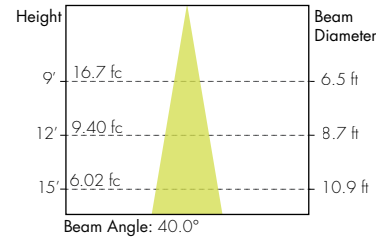
45° Smooth Reflector



45° Faceted Reflector



Wall Wash 15° Faceted Reflector



60° Faceted Reflector

