

TESS-SLOTTED

ARCHITECTURAL SCALE, WET-LISTED EXTERIOR WALL SCONCE

alva



Tess-Slotted 60 in Enviro Satin Nickel (ESN)



Tess-Slotted 60 in Enviro Satin Nickel (ESN)

ADA
COMPLIANT

TITLE
24

10YR
WARRANTY



APPLICATIONS

Direct/indirect grazing luminaire for exterior/interior use: flanking doors, on columns, on building facades, between windows, and elevator lobbies. Suitable for marine environments.

SIZES

- 12" W x 30" H x 4" D, 15 lbs
- 12" W x 45" H x 4" D, 22 lbs
- 12" W x 60" H x 4" D, 32 lbs
- 12" W x 90" H x 4" D, 42 lbs

MOUNTING

- J-Box 3.0 or 4.0 at center or end of fixture
- Steel mounting system with mounting plate and cover with rubber gaskets between the junction box and mounting plate
- Can be mounted vertically or horizontally

SPECIFICATIONS

- IP66 Rated May be Power Washed at High Pressure (100kPa at distance of 3m)
- 120-277V input
- Title 24 Compliant
- ADA Compliant
- 100,000+ hours rated life time
- 10 Year Limited Warranty (excludes shade)

LAMPING

- Integrated Proprietary ALVA LED Light Module
- 80 CRI minimum, 85 CRI typical
- 3000K or 3500K standard
- Tess-Slotted 30 23 watts, 1041 delivered lumens
- Tess-Slotted 45 29 watts, 1363 delivered lumens
- Tess-Slotted 60 37 watts, 1739 delivered lumens
- Tess-Slotted 90 58 watts, 2726 delivered lumens
- 0-10V Dimming (100-10%)

CONSTRUCTION

Fixture shell (shade): Heavy gauge aluminum with industrial powder coat finish and high impact acrylic

TESS-SLOTTED

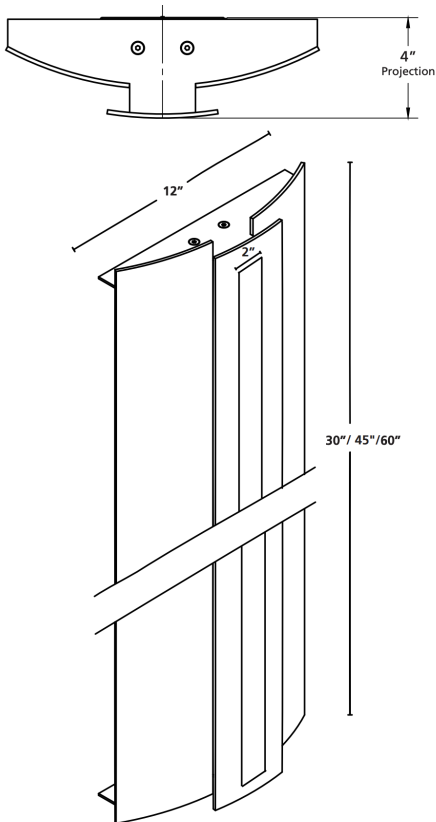
ARCHITECTURAL SCALE, WET-LISTED EXTERIOR WALL SCONCE

alva



Tess-Slotted 60 in Enviro Satin Nickel (ESN)

DIMENSIONS



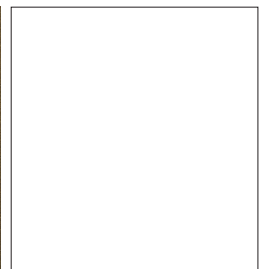
METAL POWDER COAT FINISH OPTIONS



ESN - Enviro Satin Nickel



EOB - Enviro Oil-Rubbed Bronze



WHT - White



BLK - Black



GR - Graphite



DB - Dark Bronze

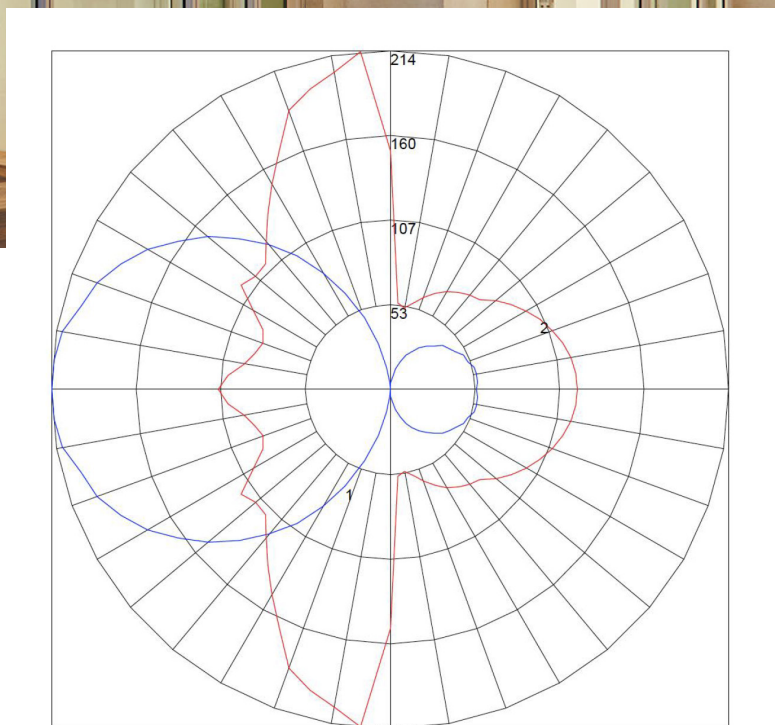
TESS-SLOTTED

ARCHITECTURAL SCALE, WET-LISTED EXTERIOR WALL SCONCE

alva



Tess-Slotted 60 in Enviro Satin Nickel (ESN)



Maximum Candela = 213.55 Located At Horizontal Angle = 95, Vertical Angle = 90
 # 1 - Vertical Plane Through Horizontal Angles (95 - 275) (Through Max. Cd.)
 # 2 - Horizontal Cone Through Vertical Angle (90) (Through Max. Cd.)

PHOTOMETRIC & ELECTRICAL TEST RESULTS (TESS-SLOTTED30)

- Total Lumens: 1041.60
- Efficacy: 47.02
- Input Voltage (VAC/60Hz): 119.96
- Input Current (Amp): 0.1860
- Input Power (W): 22.15
- Input Power Factor: 0.9932
- Current ATHD (%): 8.7%

ORDER CODE:

TESS-SLOTTED

MODEL

LENGTH

METAL TRIM

CCT

- 30 30"
- 45 45"
- 60 60"
- 90 90"

POWDER COAT FINISH OPTIONS

- ESN Enviro Satin Nickel
- EOB Enviro Oil-Rubbed Bronze
- GR Graphite
- DB Dark Bronze
- WHT White
- BLK Black

- 3000 3000K
- 3500 3500K
- 4000 4000K