

## OVERVIEW

Atto S is a Constant Current single source LED spotlight that is machined from aerospace grade aluminium 6063-T6 and comes as standard in white, black and brushed aluminium along with three premium brass finishes. It has four site-changeable optics for flexible beam distribution and is fully adjustable with lockable 360° pan and 180° tilt. The narrow beam in our 1.12W 102lm module has a peak intensity of 794cd. A snoot and accessory holder is available separately.



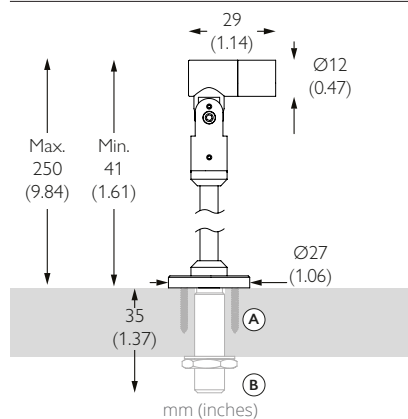
|           |                            |        |
|-----------|----------------------------|--------|
| UK PART L | Part L1A / L1B (Dwellings) | EXEMPT |
|           | Part L2A (General)         | EXEMPT |
|           | Part L2A (Display)         | EXEMPT |



## PERFORMANCE

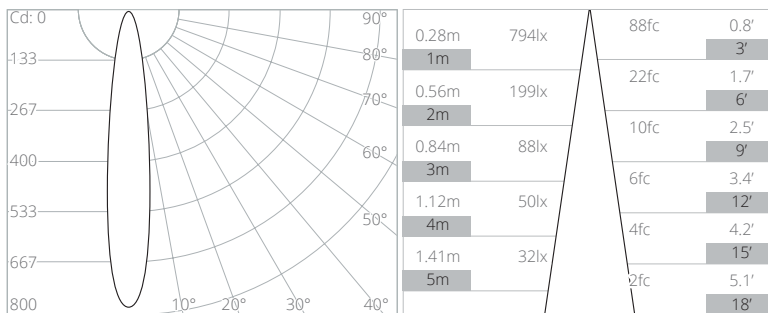
|                |                           |             |   |
|----------------|---------------------------|-------------|---|
| FWHM           | 16°                       | Category    | IP20  |
| Luminous Flux  | 94 lm                     | Material    | Machined AL 6063-T6   Machined Brass  |
| Peak Intensity | 794 cd                    | Finishes    | Brushed Aluminium   White RAL9010   Matte Black Anodised   Rubbed Bronze*   Polished Brass*   Brushed Brass * |
| CCT            | 2700K   3000K             | Weight      | 43g   0.09lb  |
| CRI Min.       | 95 TYP                    | Mounting    | M10 / Screw Fixing  |
| Drive Current  | 350 mA                    | Movement    | Pan 360°   Tilt 180°  |
| Nom. Voltage   | 3.2 V                     | Lockable    | Pan & Tilt  |
| Max. Wattage   | 1.12 W                    | Accessories | N/A   Snoots  |
| Dimming        | 0-10V   DALI              | TM65   TM66 | 7.04kgCO2e   2.4  |
| Driver Type    | Constant Current   Remote | Lifetime    | L90B10 100,000hrs   5 year warranty   |
| Class          | SELV   Class III          |             |   |

## DIMENSIONS



## PHOTOMETRY

| CCT   | Multiplier |
|-------|------------|
| 2700K | x1.00      |
| 3000K | x1.00      |



Data at 3000K

## ORDER CODE

| Model | Finish               | CCT              | Beam Angle    |
|-------|----------------------|------------------|---------------|
| 763   | -                    | -                | -             |
|       | WH White RAL 9010    | 2795 2700K 95CRI | 16 Narrow     |
|       | EBA Black RAL 9005   | 3095 3000K 95CRI | 23 Medium     |
|       | AL Brushed Aluminium |                  | 45 Flood      |
|       | RB Rubbed Bronze     |                  | 90 Wide Flood |
|       | PB Polished Brass    |                  |               |
|       | SB Brushed Brass     |                  |               |

Example Code: 763-WH-309516

\*Premium & custom finishes are built to order, subject to an extended lead time & MOQ  
See Drivers, Power Supplies and Accessories sections for further order codes

## OVERVIEW

Atto S is a Constant Current single source LED spotlight that is machined from aerospace grade aluminium 6063-T6 and comes as standard in white, black and brushed aluminium along with three premium brass finishes. It has four site-changeable optics for flexible beam distribution and is fully adjustable with lockable 360° pan and 180° tilt. The medium beam in our 1.12W 102lm module has a peak intensity of 359cd. A snoot and accessory holder is available separately.



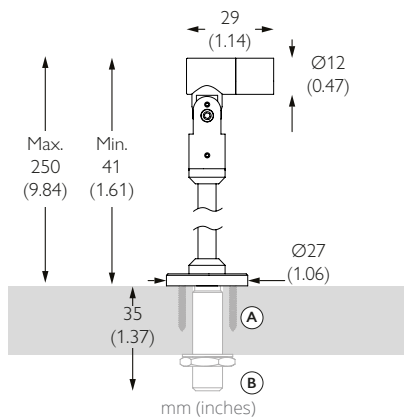
|           |                            |        |
|-----------|----------------------------|--------|
| UK PART L | Part L1A / L1B (Dwellings) | EXEMPT |
|           | Part L2A (General)         | EXEMPT |
|           | Part L2A (Display)         | EXEMPT |



## PERFORMANCE

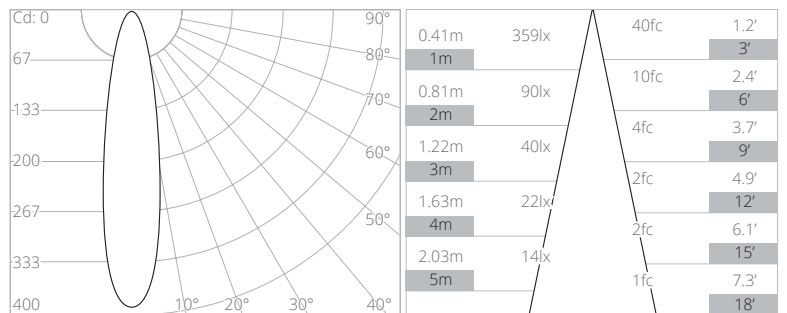
|                |                           |             |   |
|----------------|---------------------------|-------------|---|
| FWHM           | 23°                       | Category    | IP20  |
| Luminous Flux  | 92 lm                     | Material    | Machined AL 6063-T6   Machined Brass  |
| Peak Intensity | 359 cd                    | Finishes    | Brushed Aluminium   White RAL9010   Matte Black Anodised   Rubbed Bronze*   Polished Brass*   Brushed Brass * |
| CCT            | 2700K   3000K             | Weight      | 43g   0.09lb  |
| CRI Min.       | 95 TYP                    | Mounting    | M10 / Screw Fixing  |
| Drive Current  | 350 mA                    | Movement    | Pan 360°   Tilt 180°  |
| Nom. Voltage   | 3.2 V                     | Lockable    | Pan & Tilt  |
| Max. Wattage   | 1.12 W                    | Accessories | N/A   Snoots  |
| Dimming        | 0-10V   DALI              | TM65   TM66 | 7.04kgCO2e   2.4  |
| Driver Type    | Constant Current   Remote | Lifetime    | L90B10 100,000hrs   5 year warranty   |
| Class          | SELV   Class III          |             |   |

## DIMENSIONS



## PHOTOMETRY

| CCT   | Multiplier |
|-------|------------|
| 2700K | x1.00      |
| 3000K | x1.00      |



Data at 3000K

## ORDER CODE

| Model | Finish               | CCT              | Beam Angle    |
|-------|----------------------|------------------|---------------|
| 763   | -                    | -                | -             |
|       | WH White RAL 9010    | 2795 2700K 95CRI | 16 Narrow     |
|       | EBA Black RAL 9005   | 3095 3000K 95CRI | 23 Medium     |
|       | AL Brushed Aluminium |                  | 45 Flood      |
|       | RB Rubbed Bronze     |                  | 90 Wide Flood |
|       | PB Polished Brass    |                  |               |
|       | SB Brushed Brass     |                  |               |

Example Code: 763-WH-309523

\*Premium & custom finishes are built to order, subject to an extended lead time & MOQ  
See Drivers, Power Supplies and Accessories sections for further order codes

## OVERVIEW

Atto S is a Constant Current single source LED spotlight that is machined from aerospace grade aluminium 6063-T6 and comes as standard in white, black and brushed aluminium along with three premium brass finishes. It has four site-changeable optics for flexible beam distribution and is fully adjustable with lockable 360° pan and 180° tilt. The flood beam in our 1.12W 102lm module has a peak intensity of 109cd. A snoot and accessory holder is available separately.



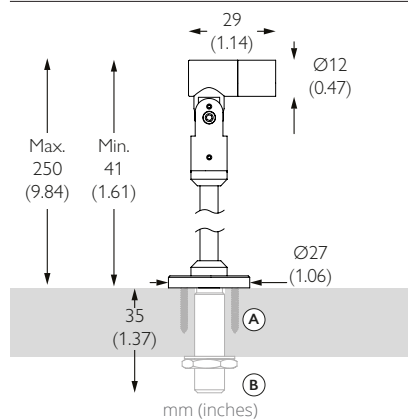
|           |                            |        |
|-----------|----------------------------|--------|
| UK PART L | Part L1A / L1B (Dwellings) | EXEMPT |
|           | Part L2A (General)         | EXEMPT |
|           | Part L2A (Display)         | EXEMPT |



## PERFORMANCE

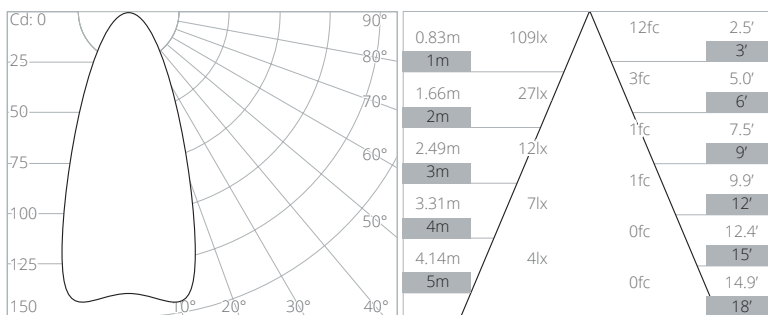
|                |                           |             |   |
|----------------|---------------------------|-------------|---|
| FWHM           | 45°                       | Category    | IP20  |
| Luminous Flux  | 93 lm                     | Material    | Machined AL 6063-T6   Machined Brass  |
| Peak Intensity | 109 cd                    | Finishes    | Brushed Aluminium   White RAL9010   Matte Black Anodised   Rubbed Bronze*   Polished Brass*   Brushed Brass * |
| CCT            | 2700K   3000K             | Weight      | 43g   0.09lb  |
| CRI Min.       | 95 TYP                    | Mounting    | M10 / Screw Fixing  |
| Drive Current  | 350 mA                    | Movement    | Pan 360°   Tilt 180°  |
| Nom. Voltage   | 3.2 V                     | Lockable    | Pan & Tilt  |
| Max. Wattage   | 1.12 W                    | Accessories | N/A   Snoots  |
| Dimming        | 0-10V   DALI              | TM65   TM66 | 7.04kgCO2e   2.4  |
| Driver Type    | Constant Current   Remote | Lifetime    | L90B10 100,000hrs   5 year warranty   |
| Class          | SELV   Class III          |             |   |

## DIMENSIONS



## PHOTOMETRY

| CCT   | Multiplier |
|-------|------------|
| 2700K | x1.00      |
| 3000K | x1.00      |



Data at 3000K

## ORDER CODE

| Model | Finish               | CCT              | Beam Angle    |
|-------|----------------------|------------------|---------------|
| 763   | -                    | -                | -             |
|       | WH White RAL 9010    | 2795 2700K 95CRI | 16 Narrow     |
|       | EBA Black RAL 9005   | 3095 3000K 95CRI | 23 Medium     |
|       | AL Brushed Aluminium |                  | 45 Flood      |
|       | RB Rubbed Bronze     |                  | 90 Wide Flood |
|       | PB Polished Brass    |                  |               |
|       | SB Brushed Brass     |                  |               |

Example Code: 763-WH-309545

\*Premium & custom finishes are built to order, subject to an extended lead time & MOQ  
See Drivers, Power Supplies and Accessories sections for further order codes

## OVERVIEW

Atto S is a Constant Current single source LED spotlight that is machined from aerospace grade aluminium 6063-T6 and comes as standard in white, black and brushed aluminium along with three premium brass finishes. It has four site-changeable optics for flexible beam distribution and is fully adjustable with lockable 360° pan and 180° tilt. The wide flood beam in our 1.12W 102lm module has a peak intensity of 26cd. A snoot and accessory holder is available separately.



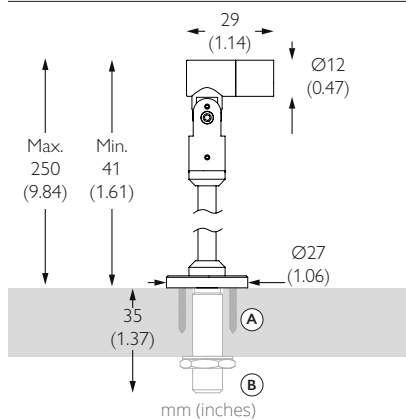
|           |                            |        |
|-----------|----------------------------|--------|
| UK PART L | Part L1A / L1B (Dwellings) | EXEMPT |
|           | Part L2A (General)         | EXEMPT |
|           | Part L2A (Display)         | EXEMPT |



## PERFORMANCE

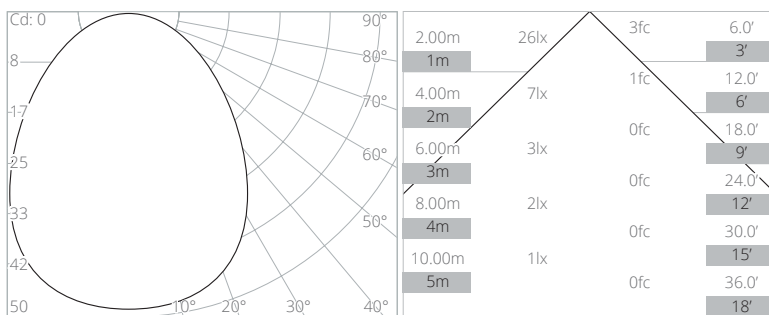
|                |                           |             |   |
|----------------|---------------------------|-------------|---|
| FWHM           | 90°                       | Category    | IP20  |
| Luminous Flux  | 69 lm                     | Material    | Machined AL 6063-T6   Machined Brass  |
| Peak Intensity | 26 cd                     | Finishes    | Brushed Aluminium   White RAL9010   Matte Black Anodised   Rubbed Bronze*   Polished Brass*   Brushed Brass * |
| CCT            | 2700K   3000K             | Weight      | 43g   0.09lb  |
| CRI Min.       | 95 TYP                    | Mounting    | M10 / Screw Fixing  |
| Drive Current  | 350 mA                    | Movement    | Pan 360°   Tilt 180°  |
| Nom. Voltage   | 3.2 V                     | Lockable    | Pan & Tilt  |
| Max. Wattage   | 1.12 W                    | Accessories | N/A   Snoots  |
| Dimming        | 0-10V   DALI              | TM65   TM66 | 7.04kgCO2e   2.4  |
| Driver Type    | Constant Current   Remote | Lifetime    | L90B10 100,000hrs   5 year warranty   |
| Class          | SELV   Class III          |             |   |

## DIMENSIONS



## PHOTOMETRY

| CCT   | Multiplier |
|-------|------------|
| 2700K | x1.00      |
| 3000K | x1.00      |



Data at 3000K

## ORDER CODE

| Model | Finish               | CCT              | Beam Angle    |
|-------|----------------------|------------------|---------------|
| 763   | -                    | -                | -             |
|       | WH White RAL 9010    | 2795 2700K 95CRI | 16 Narrow     |
|       | EBA Black RAL 9005   | 3095 3000K 95CRI | 23 Medium     |
|       | AL Brushed Aluminium |                  | 45 Flood      |
|       | RB Rubbed Bronze     |                  | 90 Wide Flood |
|       | PB Polished Brass    |                  |               |
|       | SB Brushed Brass     |                  |               |

Example Code: 763-WH-309590

\*Premium & custom finishes are built to order, subject to an extended lead time & MOQ  
See Drivers, Power Supplies and Accessories sections for further order codes

## DRIVERS

### 20W | DIMMING: DALI OR 0-10V

NO. OF LIGHTS PER DRIVER 1 to 12 in series

MIN DIM LEVEL 0.1%

VOLTAGE REGION 230V

FOR NORTH AMERICA No

WATTAGE 20W

SUPPLY TYPE Constant Current

DRIVER LOCATION Remote



DALI CODE PSCC-20-350-D-EL

0-10V CODE PSCC-20-350-A-EL

LENGTH 160mm (6.30") WIDTH 41mm (1.63") HEIGHT 30mm (1.18")



### 30W | DIMMING: DALI OR 0-10V

NO. OF LIGHTS PER DRIVER 1 to 16 in series

MIN DIM LEVEL 0.1%

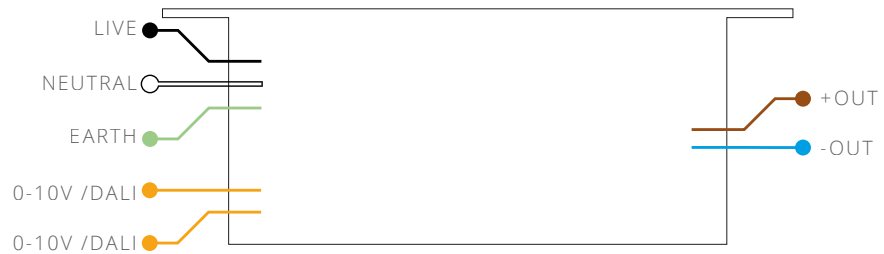
VOLTAGE REGION 120V

FOR NORTH AMERICA Yes

WATTAGE 30W

SUPPLY TYPE Constant Current

DRIVER LOCATION Remote



DALI CODE USCC-30-350-D-EL-ENC

0-10V CODE USCC-30-350-A-EL-ENC

LENGTH 348mm (13.7") WIDTH 65mm (2.6") HEIGHT 47mm (1.9")



### 12W | DIMMING: PHASE

NO. OF LIGHTS PER DRIVER 3 to 10 in series

MIN DIM LEVEL 1%

VOLTAGE REGION 120V

FOR NORTH AMERICA Yes

WATTAGE 12W

SUPPLY TYPE Constant Current

DRIVER LOCATION Remote



PHASE CODE USCC-12-350-P-HT-ENC

LENGTH 247mm (9.7") WIDTH 65mm (2.6") HEIGHT 47mm (1.9")

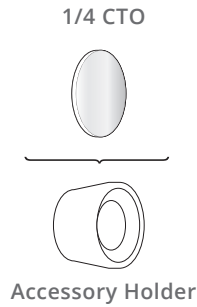


# ATTO SERIES SPOTLIGHT ACCESSORIES

FOR USE WITH ATTO PLUS

## ACCESSORIES

The Atto Plus accessory is required to hold accessories.



### Atto Plus Accessory Holder

*Screw on lens holder*

**HEIGHT** 21mm ( 0.827" )  
**DAIMETER** 18mm ( 0.709" )

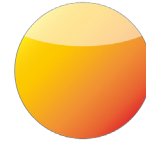
**PART CODE** 760-PH-AL - Brushed Aluminium  
760-PH-EBA - Black Anodised  
760-PH-WH - White

### 1/4 CTO Dichroic

*CCT warming - approx 300K*

**THICKNESS** 1.1mm ( 0.043" )  
**DAIMETER** 11mm ( 0.433" )

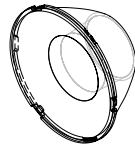
**PART CODE** 997-1/4CTO-11



## OPTICS

### Primary Optic

*Primary beam angle control*



**16° CODE** 760-16  
**23° CODE** 760-23  
**45° CODE** 760-45  
**90° CODE** 760-90