

SLIM

HEALTHCARE GRADE FULLY SEALED LAMP SHADE, ULTRA LOW PROJECTION LED WALL SCENCE

alva
by luminii



APPLICATIONS	<ul style="list-style-type: none">• Healthcare, Corporate, Retail, High-Rises, Hospitality
SIZES	<ul style="list-style-type: none">• 16" L x 8.5" W x 1.75" D• 32" L x 8.5" W x 1.75" D
WEIGHT	<ul style="list-style-type: none">• 16" - 5 lbs• 32" - 10 lbs
MOUNTING	<ul style="list-style-type: none">• J-Box 3.0 or 4.0 at center or end of fixture• Can be mounted horizontally or vertically
DIMMING	<ul style="list-style-type: none">• 0-10V Dimming (100-10%)
SPECIFICATIONS	<ul style="list-style-type: none">• High efficiency, fully integrated proprietary LED Module• Title 24 JA8 Certified• ADA Compliant• IK10 UL Certified (protected against 20 joules of impact)• Healthcare Grade, fully sealed lamp shade• Color Temperature Select (CCT), Integrated four CCT select (2700K, 3000K, 3500K, 4000K). OPTIONAL (specify)• Vandal Resistant• 1.75" projection• ETL Dry Listed• 120-277V Input• L90 - 100,000+ hours. 10 years / 24/7
LAMPING	<ul style="list-style-type: none">• 2700K, 3000K, 3500K, 4000K CCT• 90 CRI (minimum)• 16": 532 delivered lumens• 32": 1064 delivered lumens
CONSTRUCTION	<ul style="list-style-type: none">• Shade: Durable ARCHITECTURAL RESIN by ALVA• Trim: Architectural grade metal finish. Optional Antimicrobial Finish (must specify)

TITLE 24
JA8 ADA
COMPLIANT



SCAN TO TO
LEARN MORE

SPECIFICATIONS SUBJECT TO CHANGE 07 2026

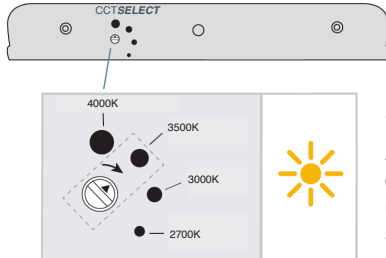
SLIM

HEALTHCARE GRADE FULLY SEALED LAMP SHADE, ULTRA LOW PROJECTION LED WALL SCENCE

alva
by luminii

CCTSELECT

CCTSELECT control panel on the end cap of ALVA luminaires:



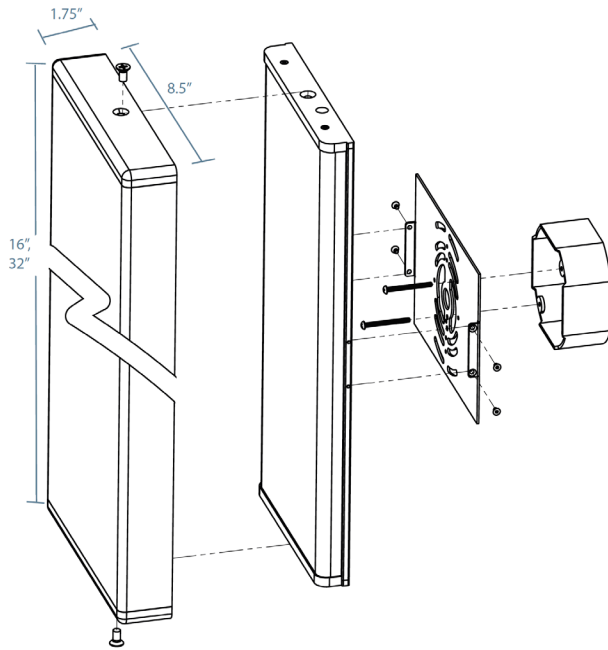
Setting CCTSELECT Levels

ALVA luminaires come set at your call out in your order. If CCT is not indicated, your module will be set at 3000K by default.



Remote Dimming Option, 0 - 10V (100 - 10%)

0-10V dimming may be used with compatible dimmer controls



Resin Shade Options

Vandal resistant, architectural resin by ALVA®



Metal Powder Coat Trim Options



ORDER CODE:

SLIM						
MODEL	LENGTH	SHADE MATERIAL	SHADE PATTERN	METAL TRIM	CCT	ANTIMICROBIAL FINISH
	16 16"	R Resin	B Burano	<i>POWDER COAT FINISH OPTIONS</i>	2700 2700K	
	32 32"		GS Gold Shimmer	ESN Enviro Satin Nickel	3000 3000K	AM Antimicrobial Finish
			IB Island Breeze	EOB Enviro Oil-Rubbed Bronze	3500 3500K	
			A Autumn	WHT White	4000 4000K	
			CY Cayenne		CS CCT Select Option	
			LC Linear Cross			
			R Rain			
			FA Faux Alabaster			
			W White Resin			