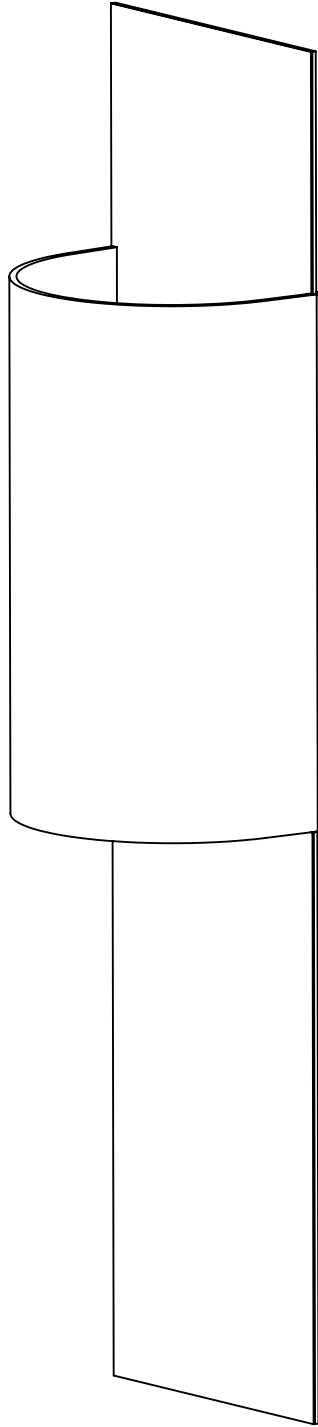


alva
by luminii

7777 MERRIMAC AVE NILES, IL 60714
T 224.333.6033 | INFO@LUMINII.COM
WWW.LUMINII.COM



EDWIN/EDWINA/TABITHA Wall Sconce

Installation Guide / REVISED 06 19 2026

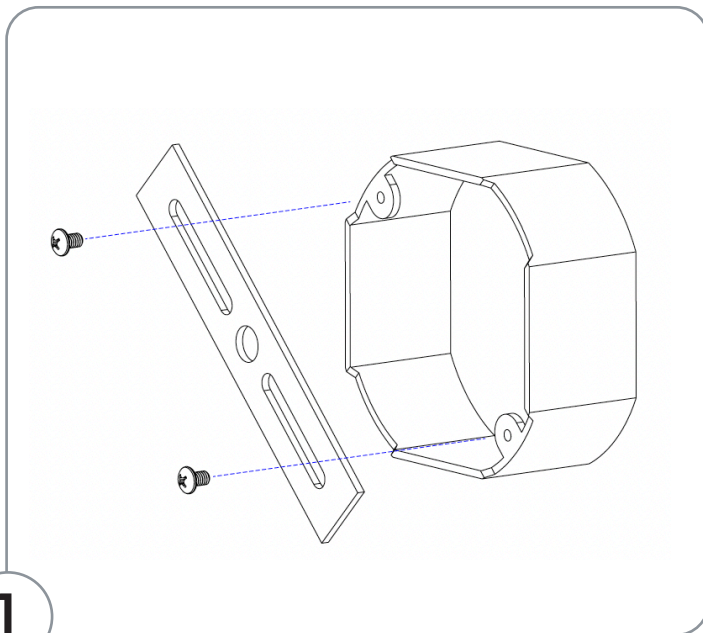
EDWIN/EDWINA/TABITHA Wall Sconce

Installation / REVISED 06 19 2026

alva
by luminii

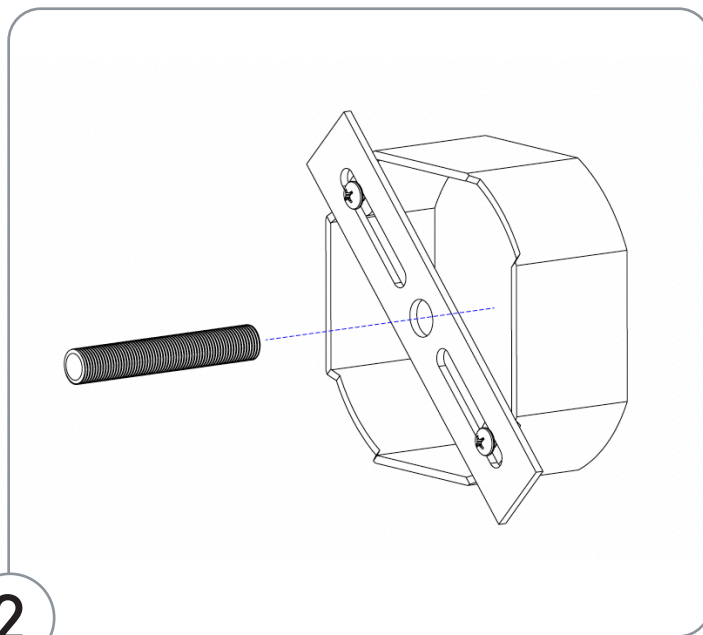
WARRANTY

This product must be installed in accordance with all applicable installation codes and ordinance. Limited five (5) years warranty. Warranty is void in the eventuality of unauthorized modifications and/or improper use.



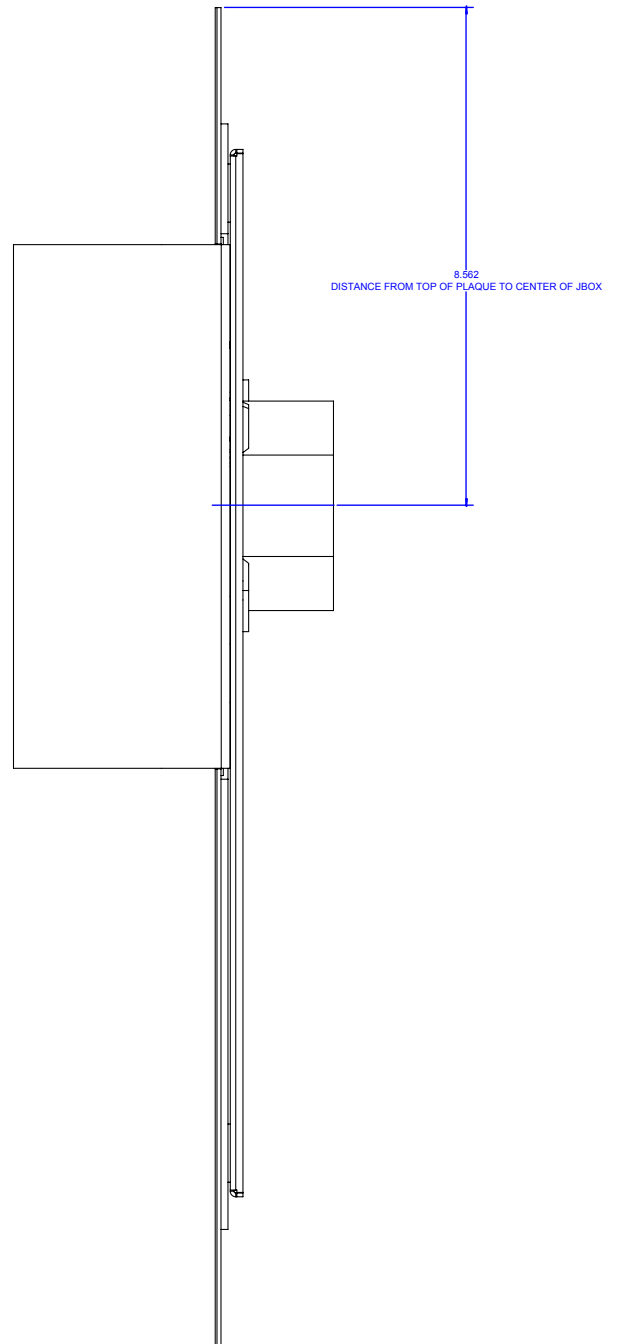
1

Screw Crossbar to JBOX



2

Screw Threaded Pipe into Crossbar

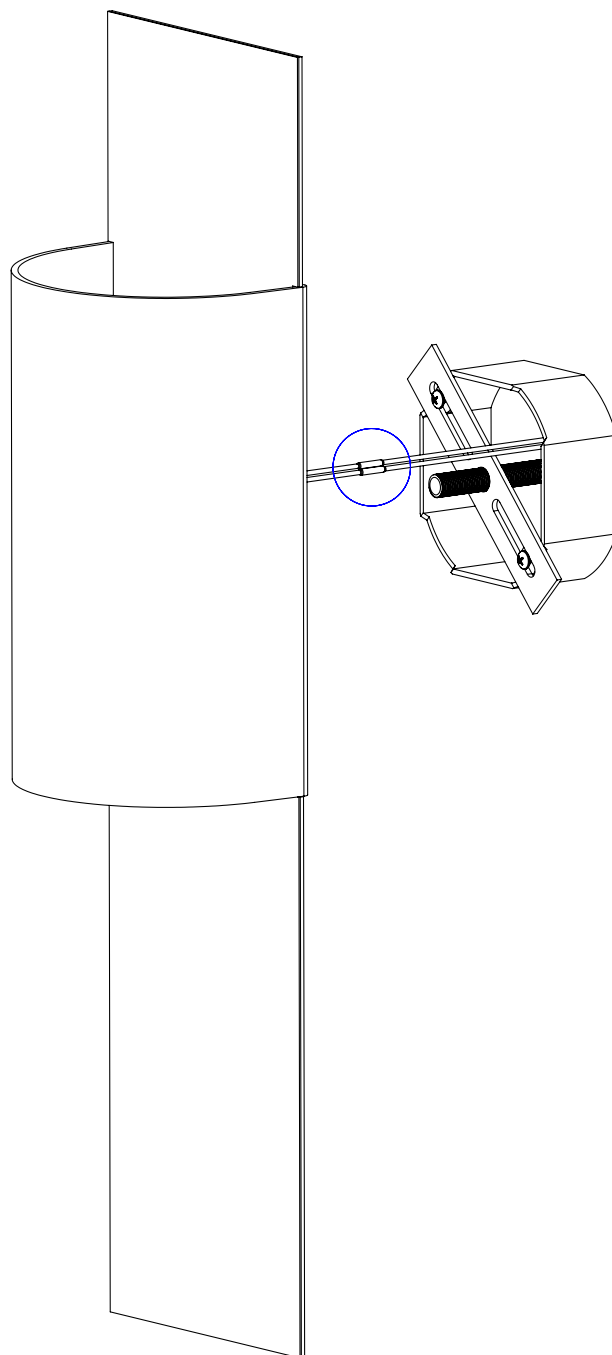


8.562
DISTANCE FROM TOP OF PLAQUE TO CENTER OF JBOX

EDWIN/EDWINA/TABITHA Wall Sconce

Installation / REVISED 06 19 2026

alva
by luminii



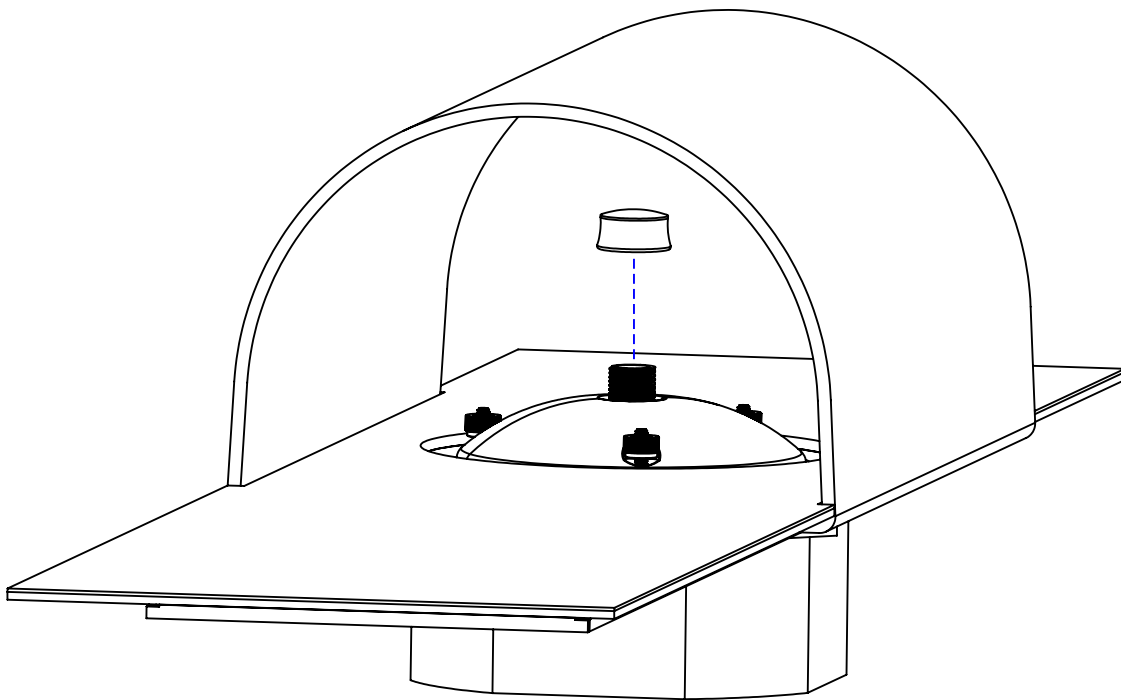
3

Make electrical connection

EDWIN/EDWINA/TABITHA Wall Sconce

Installation / REVISED 06 19 2026

alva
by luminii



4

Screw cap onto Threaded Pipe