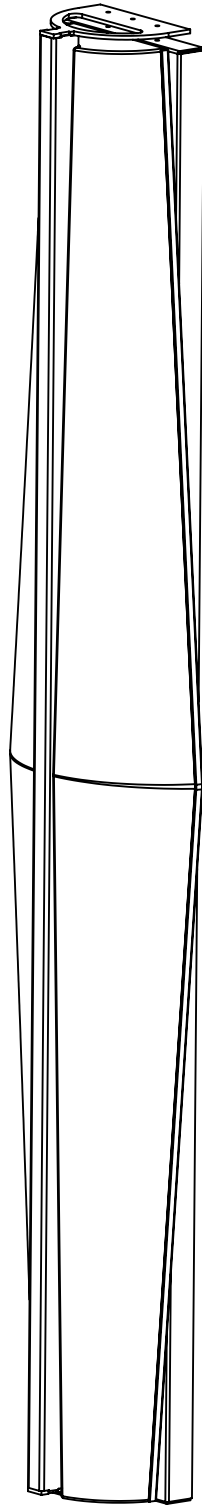


alva
by luminii

7777 MERRIMAC AVE NILES, IL 60714
T 224.333.6033 | INFO@LUMINII.COM
WWW.LUMINII.COM



AMADEUS Exterior Wall Sconce

Installation Guide / REVISED 06 16 2026

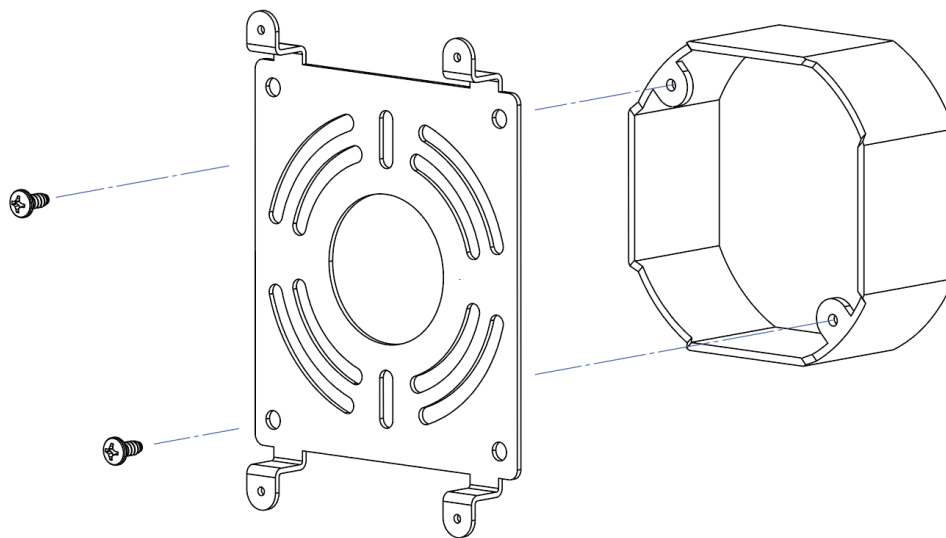
AMADEUS Exterior Wall Sconce

Installation / REVISED 06 16 2026

alva
by luminii

WARRANTY

This product must be installed in accordance with all applicable installation codes and ordinance. Limited five (5) years warranty. Warranty is void in the eventuality of unauthorized modifications and/or improper use.



1

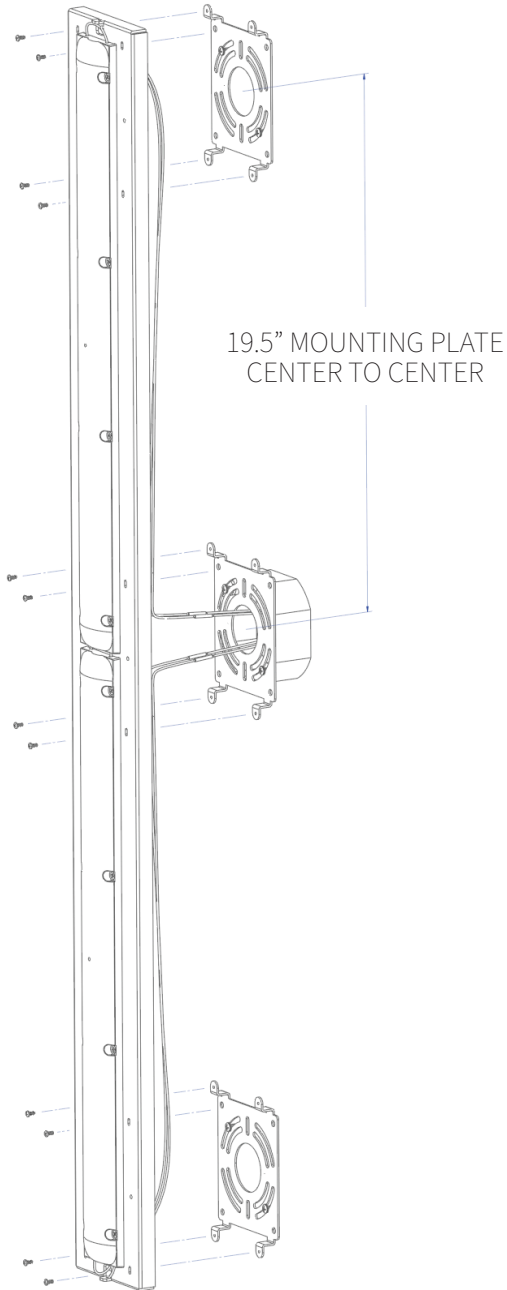
Install mounting plates onto junction box or wall (minimum of 2 locations).

AMADEUS Exterior Wall Sconce

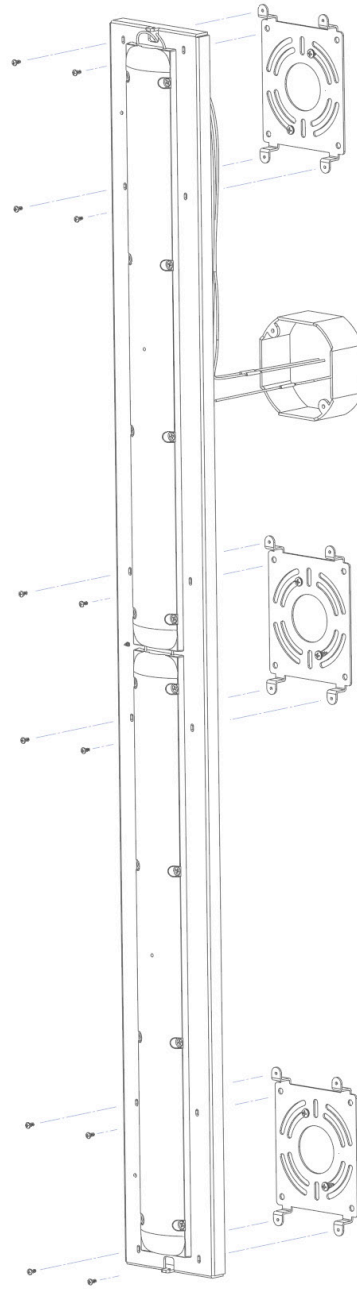
Installation / REVISED 06 16 2026

alva
by luminii

OPTION A:
JUNCTION BOX INLINE WITH MOUNTING PLATE



OPTION B:
JUNCTION BOX OFFSET FROM MOUNTING PLATE



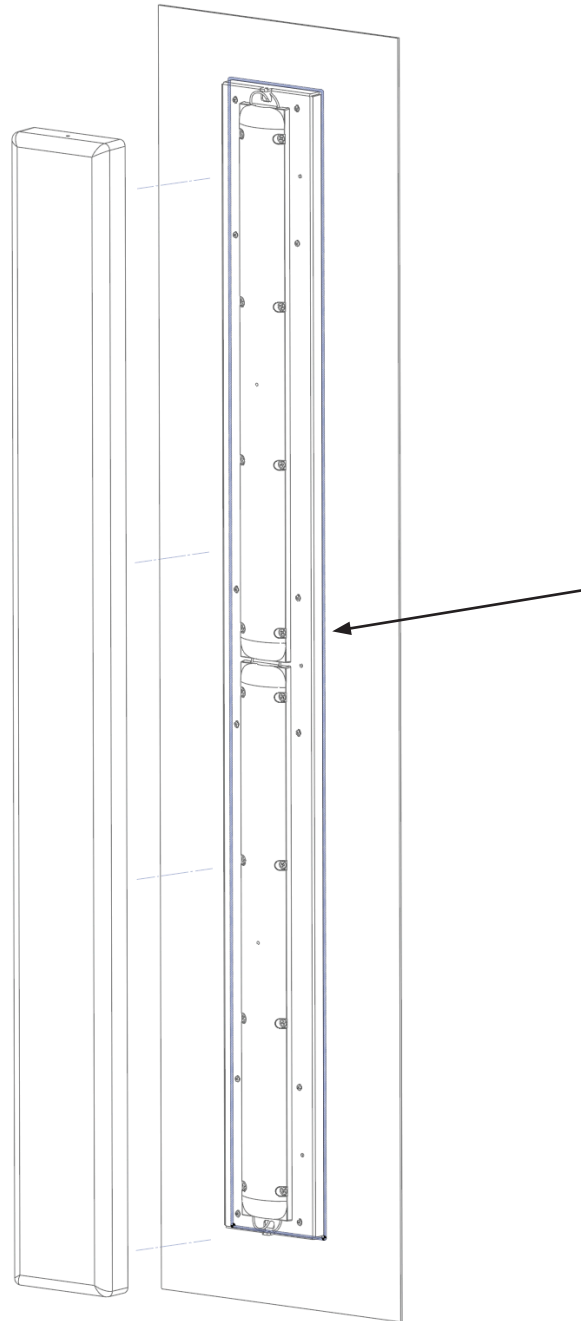
2

Make electrical connection in junction box. Then screw module mounting plate assembly to mounting plates (minimum of 2 locations).

AMADEUS Exterior Wall Sconce

Installation / REVISED 06 16 2026

alva
by luminii



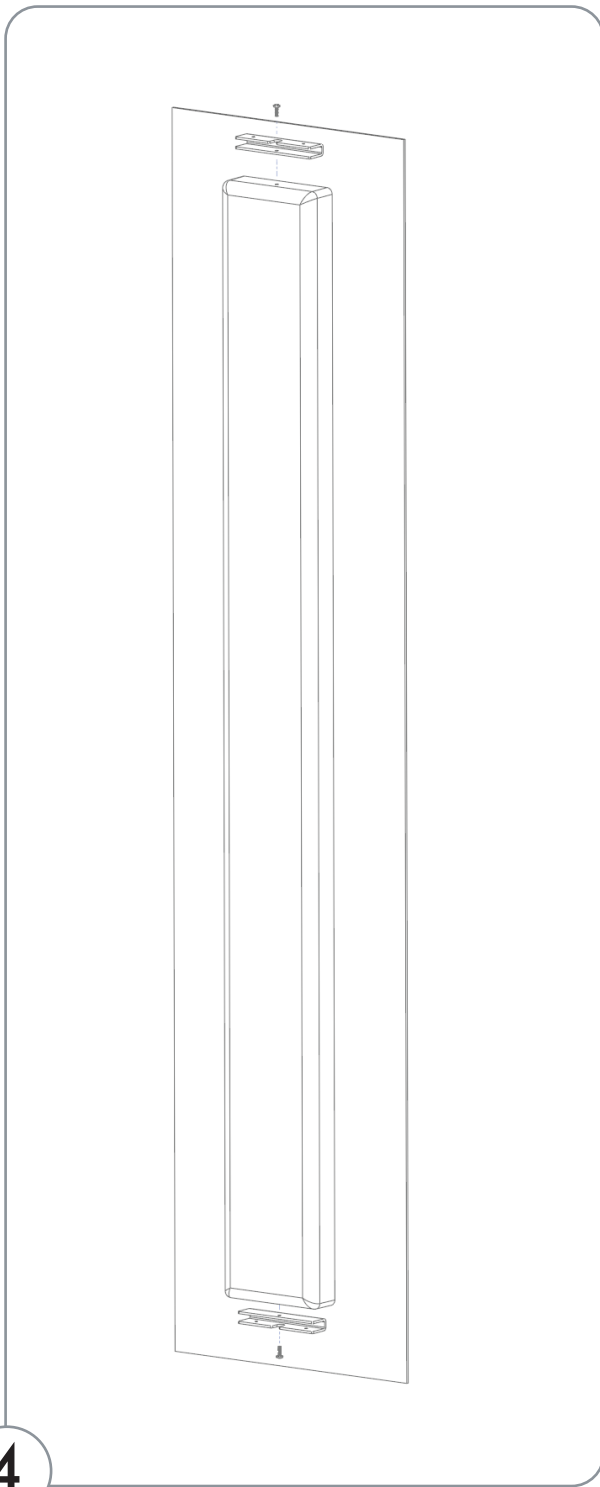
3

Apply bead of silicone around perimeter module mounting plate assembly, bead should touch the side of the mounting plate and the wall, install module cover to applied silicone bead.

AMADEUS Exterior Wall Sconce

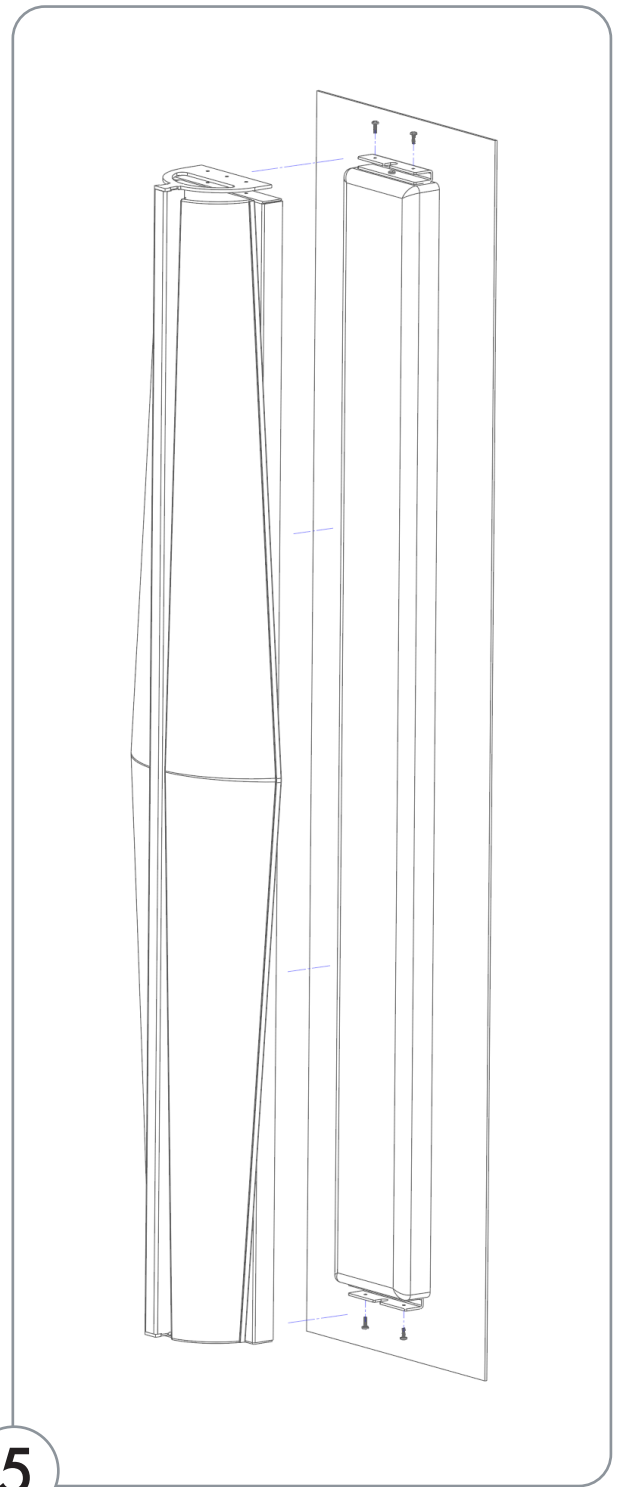
Installation / REVISED 06 16 2026

alva
by luminii



4

Install spacers using sealing screws
(apply silicone to holes as needed)



5

Attach shade assembly to spacers
using sealing screws