

Rectangle 14"W x 7"H

RE14W7H is a personal approach to building the perfect fixture for your project. Sconce can be ordered as a stand alone fixture or you can add one of our decorative elements.

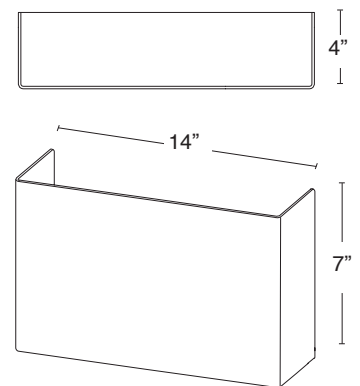
IES FILES AVAILABLE



AVAILABLE WITH OPTIONAL DECORATIVE ELEMENTS

See website for all options

MODULE	Choose 15W or 10W high-performance, field replaceable LED module.
RATED LIFETIME	L70 100,000+ hours
SHADE	IK10 UL Certified high impact resin
CERTIFICATIONS	UL Damp Listed, RoHS, IK10 UL Certified, Title24 JA8 Certified
WARRANTY	5 Years
WATTAGE	15W, 10W
INPUT VOLTAGE	15W (120-277Vac), 10W (UNV or 120V*)
CRI	90+
DIMMING	Triac/ELV (120V only)
WEIGHT	3 LBS
PROJECTION	4", ADA Compliant



FIXTURE	MODULE	WATTS	DELIVERED LUMENS: RESIN SHADE	DELIVERED LUMENS: WHITE OPAL ACRYLIC	INPUT
RE14W7H	AU-R15W	15W	1115	1394	120V, UNV
	AU-C10W	10W	696	870	120V, UNV

Note: For Gold Shimmer, Linear Cross, and Cayenne resin, multiply delivered lumens by .8
 *Typical wattage 10W without dimmer; Max. 12W with TRIAC dimmer.

ORDER CODE:

EXAMPLE: AU - C10W - 30 - 9 - UNV - RE14W7H - WO - DE3B - SPH - TLC

FAMILY	LED MODULE	CCT	CRI	INPUT VOLTAGE	SHADE SHAPE	SHADE PATTERN	DECORATIVE ELEMENT	DECORATIVE ELEMENT FINISH	OPTIONAL DOOR PANEL PLAQUE	LENS OPTIONS
AU			9		RE14W7H					
	C10W R15W	22 2200K	9 90+ CRI	120 120V	RE14W7H 14"W x 7"H x 4"D	<i>Resin</i> A BV BH CY FA GSV GSH IB LCV LCH MID RV RH <i>Acrylic Shade</i> WO	DE10A DE3A DE3B DP3A DP3B DP6A DP6B DP9A DP9B DP12A DP12B DP18A DP18B DP24A DP24B DP36A DP36B ELPS ELPL	<i>Powder Coat</i> EOB ESN ESB GR DB PN WHT BLK CP <i>Wood Finishes</i> WAL SPV SPH BA	DPP	BLC TLC STLC
		27 2700K		UNV Universal						
		30 3000K								
		35 3500K								
		40 4000K								

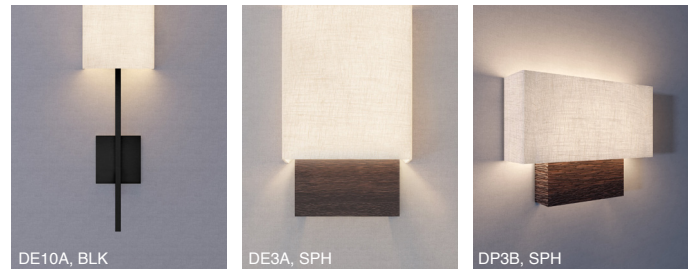
IK10 UL Certified High Impact Resin Options



Decorative Element Options

Sconce can be ordered as a stand alone fixture or paired with a decorative element. For full selection of current available DEs please visit alvalight.com/design-your-light

- | | |
|---|--|
| DE10A Modern Armature 5"W x 5"H Face Plate, 12"H | DP12A 12" Door Panel, 6.5"W x 12"H |
| DE3A Wood U-Channel, Small 6.5"W x 3"H x 1.75"D | DP12B 12" Door Panel Wide, 8.5"W x 12"H |
| DE3B Wood U-Channel, Large 8.5"W x 3"H x 1.75"D | DP18A 18" Door Panel, 6.5"W x 18"H |
| DP3A 4" Door Panel, 6.5"W x 3.5"H | DP18B 18" Door Panel Wide, 8.5"W x 18"H |
| DP3B 4" Door Panel Wide, 8.5"W x 3.5"H | DP24A 24" Door Panel, 6.5"W x 24"H |
| DP6A 6" Door Panel, 6.5"W x 6"H | DP24B 24" Door Panel Wide, 8.5"W x 24"H |
| DP6B 6" Door Panel Wide, 8.5"W x 6"H | DP36A 36" Door Panel, 6.5"W x 36"H |
| DP9A 9" Door Panel, 6.5"W x 9"H | DP36B 36" Door Panel Wide, 8.5"W x 36"H |
| DP9B 9" Door Panel Wide, 8.5"W x 9"H | ELPS Ellipse Short |
| | ELPL Ellipse Long |



Decorative Element Finish Options

Metal Powder Coat Finishes



Wood Finishes (U-Channel & Door Panel Decorative Elements Only)



Custom RAL Powdercoat Colors also available (CP), MOQ may apply.

Optional Door Panel Plaques



Door Panel Plaques are for Door Panel Decorative Elements only. Door number plaque can be personalized by Finish, Logo/Branding, Font Style, Font Size, Braille, Size of Plaque.

Lens Options

- BLC** Bottom Lens Cover (BLC)
- TLC** Top Lens Cover (TLC)
- STLC** Sealed Top Lens Cover for Healthcare (STLC)