

WALLIS WALL PACK

INSTALLATION GUIDE

alva

Mounting Hardware Included:

- Quantity of 1: 1/8 IPS Pipe
- Quantity of 1: Lock-Up Cap
- Quantity of 1: Mounting Crossbar

Fixture Components Included:

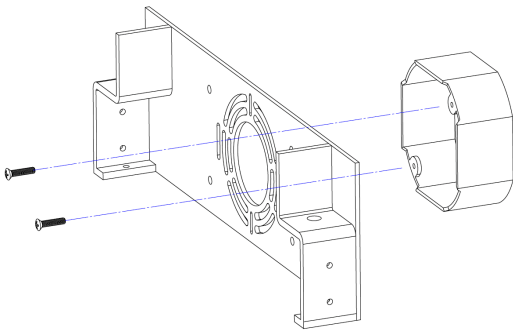
- Back Plate with thumb nuts
- Auberge LED module (packaged with mounting hardware and Energy Star WAGO/IDEAL connector)
- Decorative Lamp Shape

Installing your Alva light fixture:

CAUTION: Be sure the power is turned off by either removing the fuse or closing the circuit breaker. Installation must be in compliance with National, State and Local electrical codes.

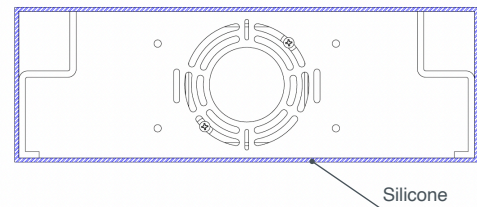
Step 1:

Screw wall plate to junction box



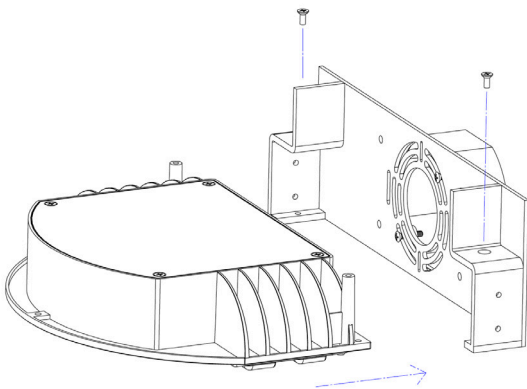
Step 2:

Apply silicone bead around perimeter of wall plate



Step 3:

Screw module to wall plate



Step 4:

Screw bottom plate to wall plate

