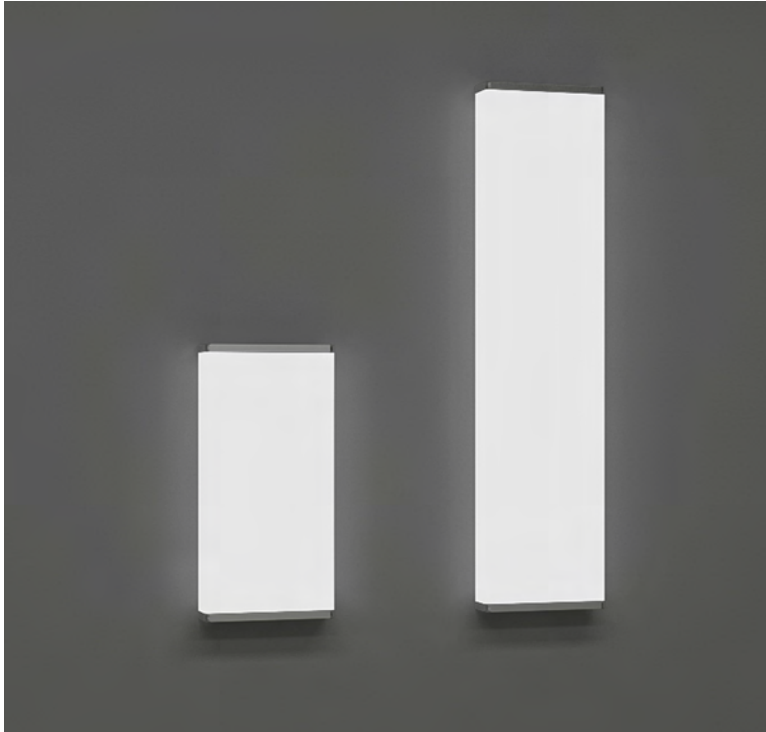


alva™



ALVA INSTALLATION INSTRUCTIONS

For SLIM Luminaires

LED-BASED ARCHITECTURAL LIGHTING
918 PARKER STREET, SUITE A14, BERKELEY, CA 94710
P: 408.394.3054 WWW.ALVALIGHT.COM

Tools Required:

Philips screwdriver
4mm hex key
Drill (for ceiling mounting)
Small flathead screwdriver (for adjusting LumenSelect)TM

Hardware Included:

Quantity of 1-2: Mounting Plates
Quantity of 4-8: 8/32 Screws
Quantity of 2: 6MM Hex Screws

Sizes & Mounting Information

The SLIM luminaire series is available in two lengths, 16" and 32".

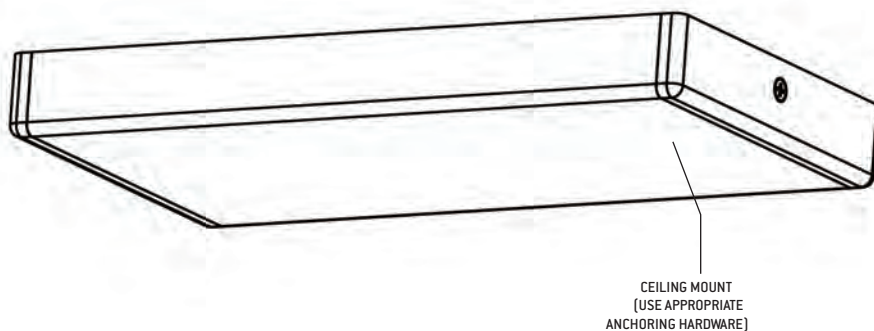
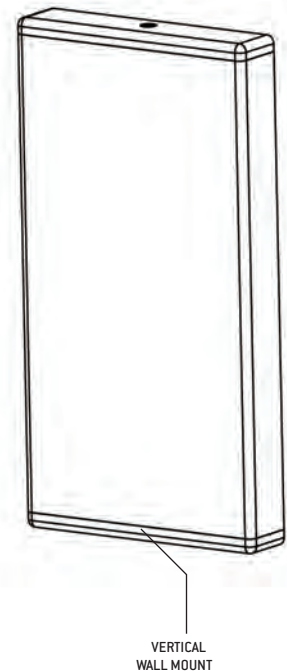
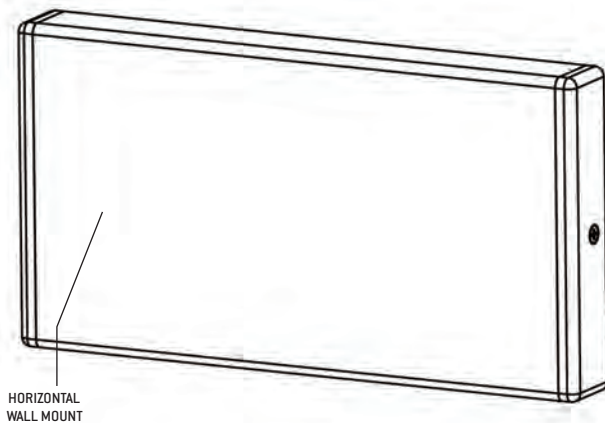
The luminaire may be mounted on the wall either vertically or horizontally.
The luminaire may be mounted on the ceiling as well.

Note: Wall/Ceiling mounting hardware is not included due to the wide variety of wall materials. Customer should determine the appropriate anchoring hardware for their specific needs.

ALVA recommends the use of #10 mounting hardware.

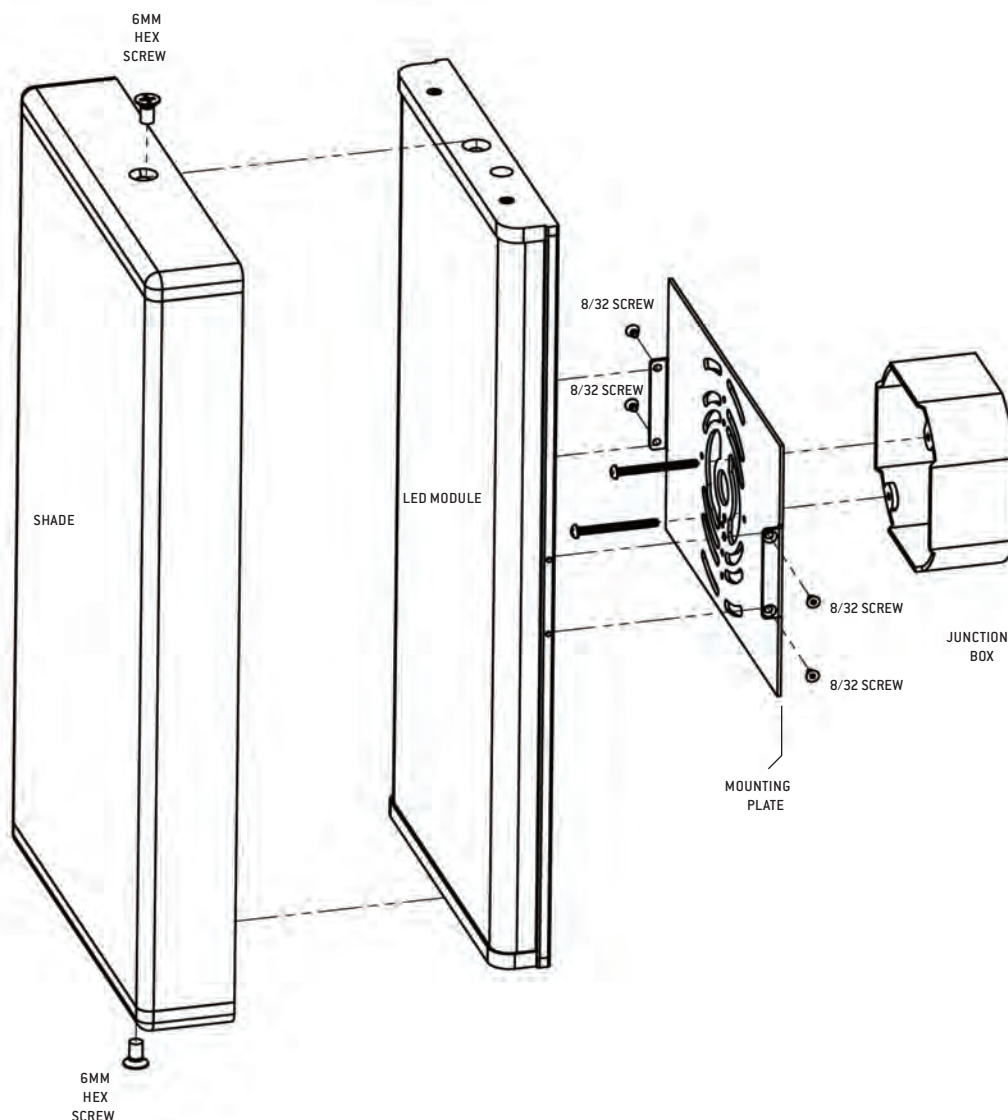
CAUTION:

Be sure the power is turned off by either removing the fuse or turning off the circuit breaker. Installation must be in compliance with National, State and Local electrical codes.



Installing your ALVA luminaire takes four easy steps:

1. Attach the mounting plate to the junction box with care to align the plate so that the luminaire is orientated properly. For the 32" model mount the additional mounting plates to the wall or ceiling with care to align the pre-drilled holes in the LED module with the mounting plate. Be sure to install anchoring hardware according to the manufacturer's recommendations.
2. Connect the electrical wires from the junction box to the electrical wires of the light fixture. Please see below if using 0-10V dimming functionality.
3. Place the LED module so that the pre-drilled holes in the side of the light fixture line up with mounting plate(s). Secure the LED module to the mounting plates using the 8/32 screws provided.
4. Mount shade to the light module using hardware included with the shade selected for your project. For resin or acrylic shades, you secure the shade to the LED module using a 4mm hex key at both ends of the fixture.



Dimming Options:

Your SLIM luminaire includes two dimming options as standard:

1. LumenSelect™ 4 level light output (100%, 75%, 50%, and 25%).
2. 0-10V Dimming

You may choose either dimming option.

LumenSelect™

Your SLIM luminaire comes factory set at 100% light output. You may choose at the time of install from four settings:

- 100% light output
- 75% light output
- 50% light output
- 25% Light output

Note that the power consumption of the fixture decreases approximately in conjunction with the light output (ie. 50% light output consumes half the power)

To select, using a small flathead screwdriver, gently turn the LumenSelect dial at the end of the fixture clockwise to your desired setting. You can either set your light output prior installing your fixture OR you may set it after you have installed the fixture.

0-10V Dimming

Note: To use the 0-10V dimming, be sure you have set your LumenSelect setting to 100% light output if you have changed it from its factory pre-setting of 100%.

Your SLIM luminaire also provides control wires accessible from the back of the fixture that provide 0-10V dimming. To utilize the 0-10V dimming you must provide control wires to the junction box. At the time of installation, attach Purple (DIM+) wire from back of fixture to DIM+ control wire from junction box. Attach Gray (DIM-) wire from back of fixture to DIM+ wire from junction box.

Compatible and Tested Dimmers:

- Lutron® Model DDTV
- Leviton® Model Decora® Illumatech™ IP710-DLZ

