

alva

INSTALLATION INSTRUCTIONS & TECHNICAL INFORMATION

For Betty and Bob Wall Sconces

LED-BASED ARCHITECTURAL LIGHTING
2150 ALLSTON WAY, SUITE 400, BERKELEY, CA 94704
P: 408.394.3054 WWW.ALVALIGHT.COM

Tools Required:

3mm/4mm hex key
 (for attaching shade/diffuser to light fixture)
 Phillips screwdriver

Hardware Included:

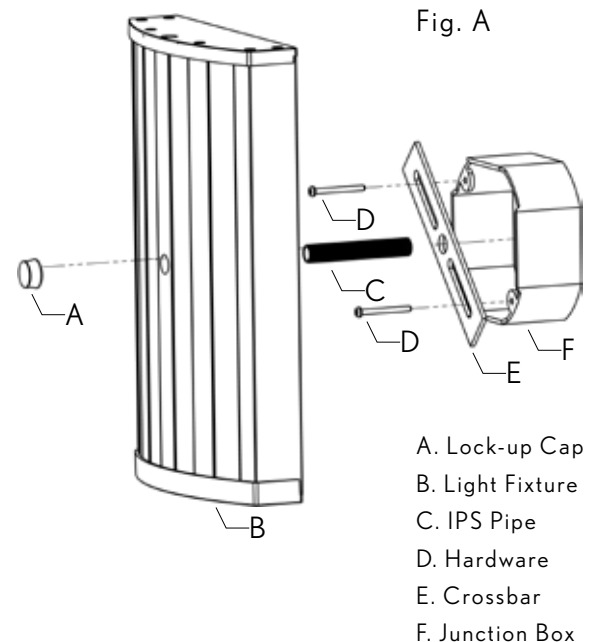
Quantity of 1: 1/8 IPS Pipe
 Quantity of 1: Lock-Up Cap
 Quantity of 1: Mounting Crossbar

Damp Listed:

CAUTION: Be sure the power is turned off by either removing the fuse or closing the circuit breaker. Installation must be in compliance with National, State and Local electrical codes.

Installing your Alva light fixture takes four easy steps:

1. Attach the crossbar to the junction box. Screw the 1/8 IPS pipe into the cross bar.
2. Connect the electrical wires from the junction box to the electrical wires of the light fixture. Please see below if using 0-10V dimming functionality.
3. Place the LED light fixture over the 1/8 IPS pipe from the universal mounting ring and carefully slide the fixture up snug to the junction box being careful to ensure the wires feed into the junction box. Screw on the lock-up cap to the 1/8 IP pipe.
4. Mount shade to the light fixture using hardware included with the shade selected for your project.

**Instructions in detail:****1. Attaching the Cross Bar**

- a. Carefully unpack your new fixture and lay all parts on a clean surface. Be careful not to lose any small parts necessary for the installation.
- b. Pull the electrical wires part way out of the junction box for easier access.
- c. Attach your light fixture's cross bar to the electrical junction box

2. Connecting the Electrical Wires

- a. Connect the light fixture wires to the wires of the junction box. White to white, black to black and ground to ground. If there is no ground wire from the junction box, connect the fixture ground wire (green or yellow/green, or copper) to the mounting bar with the green screw provided. Be certain that all connections are tight and NO bare wire is visible. (note: ground wire, if unshielded copper, will show bare wire).
- b. Tuck the wires into the junction box.

3. Securing the Light Fixture to the Cross Bar.

- a. Slide the fixture over the 1/8 IPS pipe and gently push the fixture up until snug to the wall. Screw down the lock-up cap to secure the fixture to the wall.

4. Attaching the Diffuser to Your Light Fixture.

- a. Position the shade/diffuser on the light fixture and using the shade/diffuser hardware, attach the shade/diffuser to the light fixture.

Dimming Options:

Your Betty/Bob LED wall sconce includes two dimming options as standard:

1. LumenSelect™ 4 level light output (100%, 75%, 50%, and 25%).
2. 0-10V Dimming

You may choose either dimming option.

LumenSelect™

Our Betty/Bob wall sconce comes factory set at 100% light output. You may chose at the time of install from four settings:

100% light output

75% light output

50% light output

25% Light output

Note that the power consumption of the fixture decreases approximately in conjunction with the light output (ie. 50% light output consumes half the power) To select, using a standard screwdriver, turn the LumenSelect™ dial at the end of the fixture to your desired setting. You can either set your light output prior installing your fixture OR you may set it after you have installed the fixture.

0-10V Dimming

Note: To use the 0-10V dimming, be sure you have set your LumenSelect™ setting to 100% light output if you have changed it from its factory pre-setting of 100%.

Your Betty/Bob LED wall sconce also provides control wires accessible from the back of the fixture that provide 0-10V dimming. To utilize the 0-10V dimming you must provide control wires to the junction box. At the time of installation, attach Purple (DIM+) wire from back of fixture to DIM+ control wire from junction box. Attach Gray (DIM-) wire from back of fixture to DIM- control wire from junction box.

Compatible and Tested Dimmers:

Lutron Model DDTV

Leviton Model Decora Illumatech IP710-DLZ