

Backlit Unit Number Sconces

Curt, Curt Jr, Kayla, Kaylee



LEARN MORE AT
[LUMINII.COM](https://www.luminii.com)

Input Voltage:

120V

Tools Required:

Philips screwdriver

Hardware Included

Quantity of 1-2: Mounting Plates

Quantity of 4-8: 8/32 Screws

Quantity of 2: 18-8 Steel Pan Head Phillips Screw

Sizes & Mounting Information, Curt and Kaela:

The installation consists of mounting the ALVA LED module to the wall using the LED Module mounting brackets (included). You do not need to mount directly to the junction box. After you have installed the module to the wall and made the necessary electrical connections, you mount the Unit number sconce to the module and secure with the phillips screws on each end of the fixture.

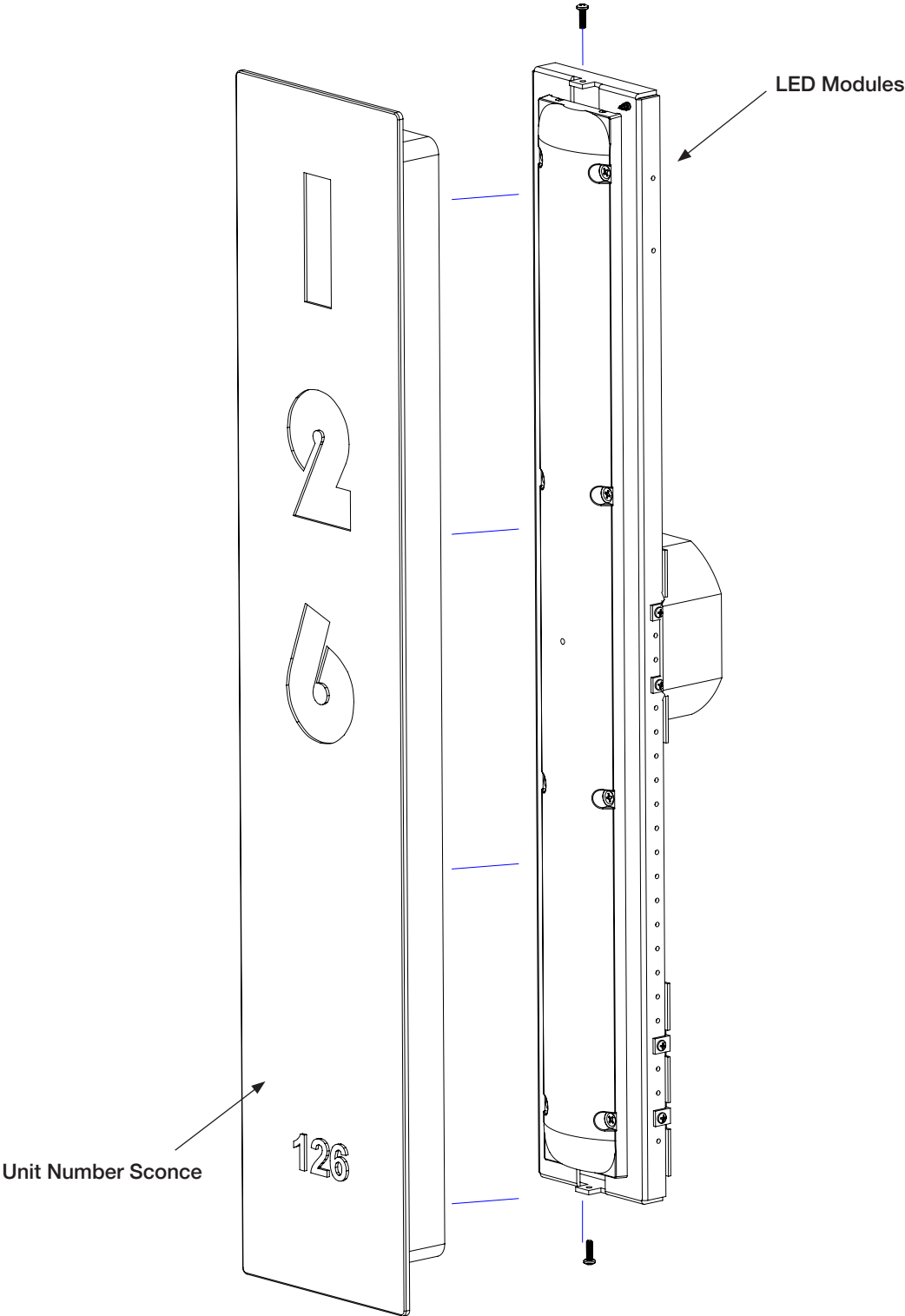
Note: Wall mounting hardware is not included due to the wide variety of wall materials. Customer should determine the appropriate anchoring hardware for their specific needs. ALVA recommends the use of #10 mounting hardware.

CAUTION:

Be sure the power is turned off by either removing the fuse or turning off the circuit breaker. Installation must be in compliance with National, State and Local electrical codes.

Install Shade/Plaque Assembly

Shown: Curt Wall Sconce

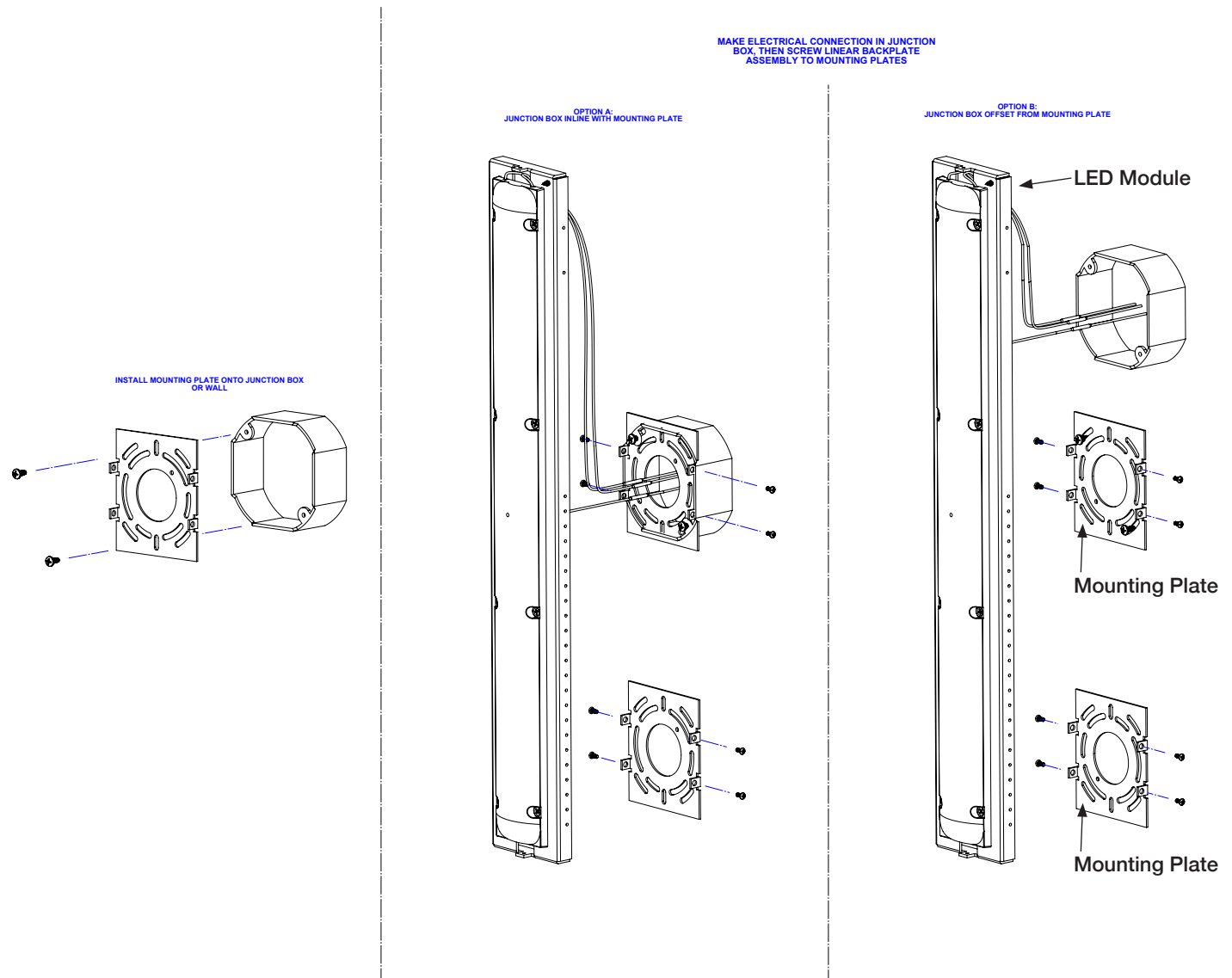


Installing your ALVA luminaire takes four easy steps:

1. Attach the mounting plate(s) to the junction box and/or wall with care to align the plate so that the luminaire is orientated properly.
2. Connect the electrical wires from the junction box to the electrical wires of the light fixture.
3. Place the LED module so that the pre-drilled holes in the side of the light fixture line up with mounting plate(s). Secure the LED module to the mounting plates using the 8/32 screws provided.
4. Mount unit number sconce to the light module using hardware included with the shade selected for your project. For resin or acrylic shades, you secure the shade to the LED module using a 4mm hex key at both ends of the fixture.

Note: Junction Box can be located anywhere behind the fixture.

CURT Mounting & Decorative Housing:



Dimming Options:

Your fixture includes two dimming options as standard:

1. LumenSelect 3 level light output (High, Medium, or Low)
2. ELV/TRIAC Dimming (100 - 10%)

You may choose either dimming option.

LumenSelect™

Note: The fixture has an on-board Three Light Level select switch, High, Medium, or Low. You may specify to ALVA and we will set the output for you. If not indicated the fixture will be provided at High light output. Note this is a one-time setting.

To Set LumenSelect:

Remove frosted LED module cover. Set the light output using the sliding selector switch. Re-install the frosted LED module cover.

Note that the power consumption of the fixture decreases approximately in conjunction with the light output (ie. 50% light output consumes half the power)

CCT Select:

Note your fixture has an on-board CCT (color temperature) select. ALVA will ship your fixture with the CCT you have indicated on your order. You can change the CCT using the on-board CCT selector.

To Set CCT Select:

