



ALVA Installation Instructions  
**BRIAN / BRIANNA**

### Tools Required:

Phillips Screwdriver  
Drill  
Level

### Hardware Included:

Quantity of 1: M6 flat head machine screws (to secure the shade to the module)  
Quantity of 4: 8-32 screws (to secure back plate to module)

### Overview:

The ALVA exterior luminaires consist of two primary components:

1. ALVA Exterior Led Light Module
2. ALVA Brian/Brianna panel (15.5L", 31L" or 46"L)
3. Brian/Brianna decorative box which attaches to the back panel.

The installation consists of mounting the ALVA LED module to the junction box. After you have installed the module to the junction box and made the necessary electrical connections, you mount the ALVA Brian/Brianna back panel to the module.

The ALVA Brian/Brianna exterior luminaire is available in up to three lengths (15.5"H, 31"H, or 46.5"H).

### CAUTION:

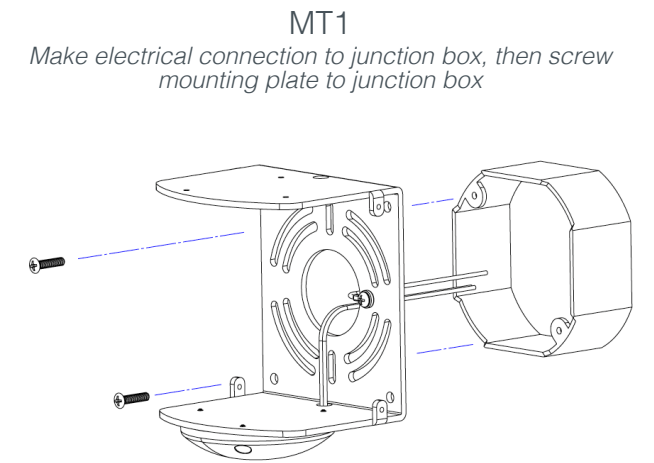
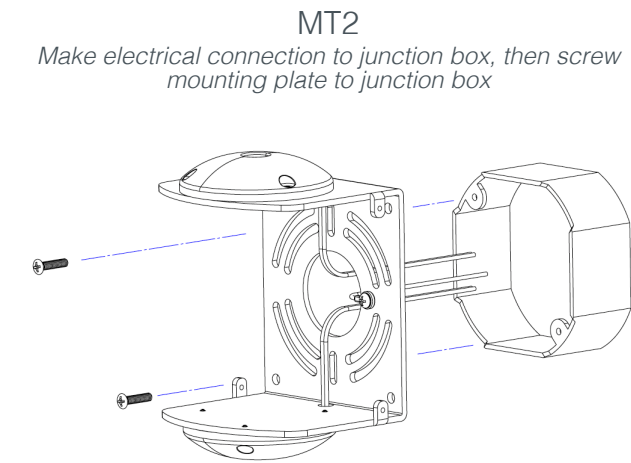
Be sure the power is turned off by either removing the fuse or closing the circuit breaker. Installation must be in compliance with National, State and Local electrical codes.



### Carefully follow these steps:

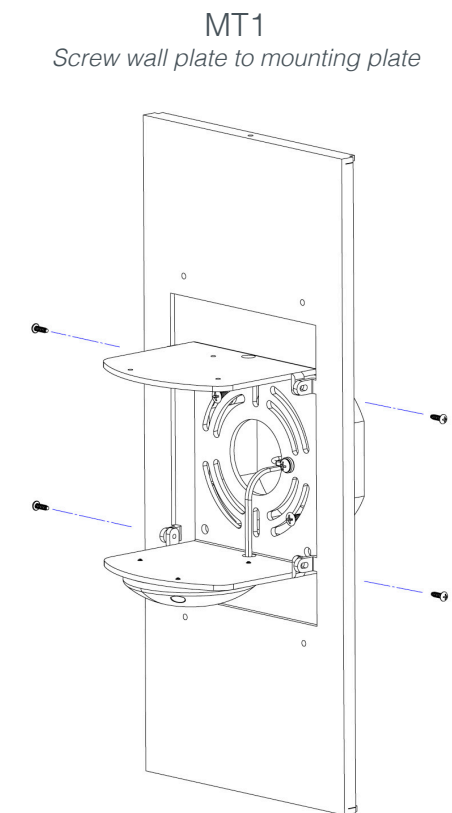
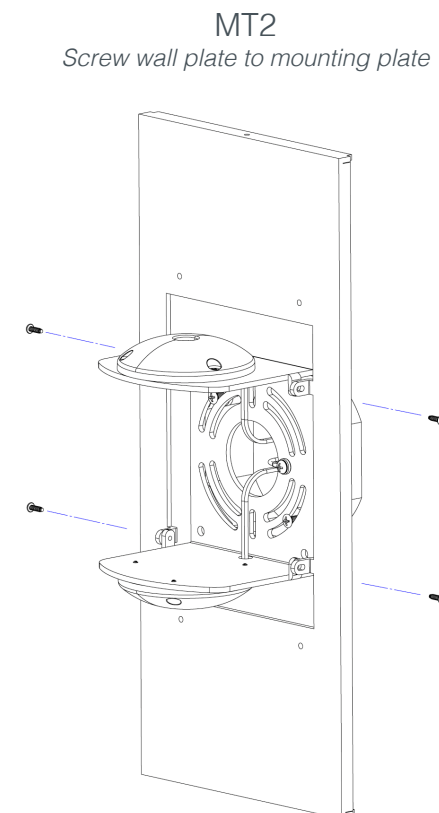
#### Step One

Mount Alva Brian/Brianna LED module to Junction Box:



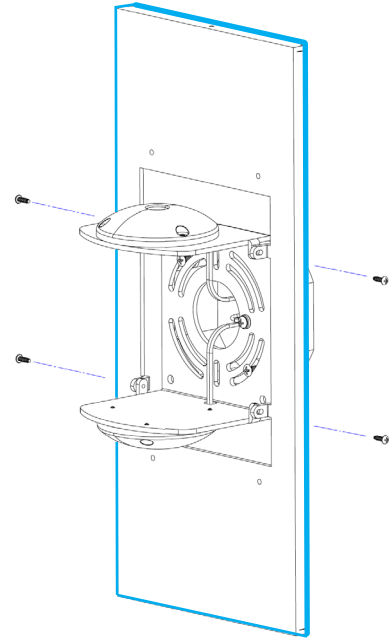
#### Step Two

Mount Backplate to module:



**Step Three**

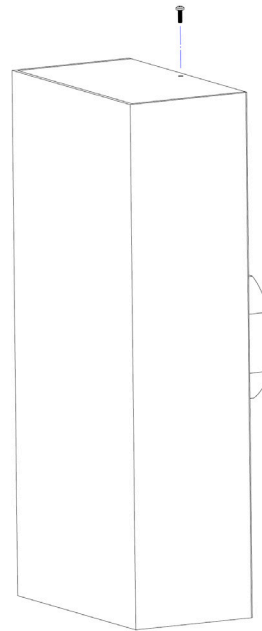
In conformance with UL Standard 1598, a **silicone based sealant MUST be used around entire perimeter of backplate to bottom of shade box where it meets the adjacent, supporting wall surface.** This shall be applied prior to Step Four.



**Step Four**

Carefully slide decorative box onto the panel from top down. Fasten top screw through decorative Brian/Brianna box to LED module/panel.

MT2/MT1  
*Screw shade to wall plate*



**Brian/Brianna is ELV/TRIAC Dimmable**

**ALVA Exterior Module:**

