

alva®



ALVA Installation Instructions

PRISCILLA

Tools Required:

Philips screwdriver
4mm hex key
Drill (for ceiling mounting)
Small flathead screwdriver (for adjusting and LumenSelect™ and CCT Select)

Hardware Included:

Quantity of 1-3 Mounting Plates
Quantity of 4-12 8/32 Screws
Quantity of 4 shade mounting screws. TORX screws optional (specify)

Sizes & Mounting Information

The Priscilla luminaire series is available in two lengths, 19" and 35". The luminaire may be mounted on the wall either vertically or horizontally. The luminaire may be mounted on the ceiling as well.

Before installing this light fixture, please be aware of the following disclaimers:

Installation of these or any other products will NOT eliminate all risks of suicide or injury. ALVA LIGHT does not guarantee or assume any responsibility whatsoever for the performance of any product.

Vertical Wall Mount**Tools Required:**

Philips screwdriver
4mm hex key
Drill (for ceiling mounting)
Small flathead screwdriver (for adjusting LumenSelect™)
TORX set (if using tamper resistant TORX shade screws).

Hardware Included:

Quantity of 2: 3MM hex screws for mounting internal bracket(one screw each) to module).
Quantity of 4: #4 x 1/2 Philips flat head screws for attaching shade to module.
Optional tamper resistant TORX screws(must specify): #4 TORX screw

Note: Wall/Ceiling mounting hardware is not included due to the wide variety of wall materials. Customer should determine the appropriate anchoring hardware for their specific needs. ALVA recommends the use of #10 mounting hardware.

CAUTION:

Be sure the power is turned off by either removing the fuse or turning off the circuit breaker. Installation must be in compliance with National, State and Local electrical codes.



alva

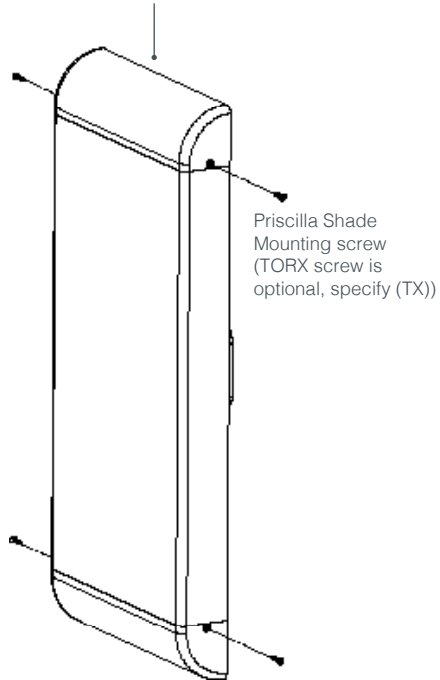
Installing your ALVA luminaire takes five steps:

1. Mount Internal Mounting Bracket to each end of the LED module using M3 screws provided (one per bracket).
2. Attach the mounting plate to the junction box with care to align the plate so that the luminaire is orientated properly. For Behavioral Health Applications, you may secure Universal Mounting Plate to the wall using wall anchors (provided by electrician/contractor). You may use holes provided in back plate or drill holes in back plate as needed. For the 35" model mount the additional mounting plates to the wall or ceiling with care to align the pre-drilled holes in the LED module with the mounting plate. Be sure to install anchoring hardware according to the manufacturer's recommendations.
3. Connect the electrical wires from the junction box to the electrical wires of the light fixture. Please see below if using 0-10V dimming functionality.
4. Place the LED module so that the pre-drilled holes in the side of the light fixture line up with mounting plate(s). Secure the LED module to the mounting plates using the 8/32 screws provided.
5. Mount shade to the light module using hardware included with the shade selected for your project. For resin or acrylic shades, you secure the shade to the LED module using a 4mm hex key at both ends of the fixture.

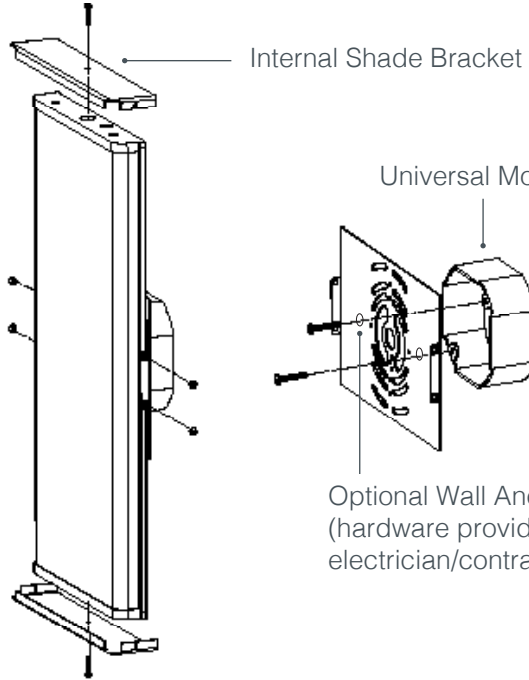
Before installing this light fixture, please be aware of the following disclaimers:

Installation of these or any other products will NOT eliminate all risks of suicide or injury. ALVA LIGHT does not guarantee or assume any responsibility whatsoever for the performance of any product.

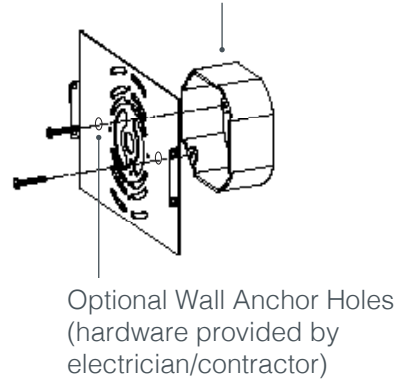
Priscilla Decorative Shades (LENS)



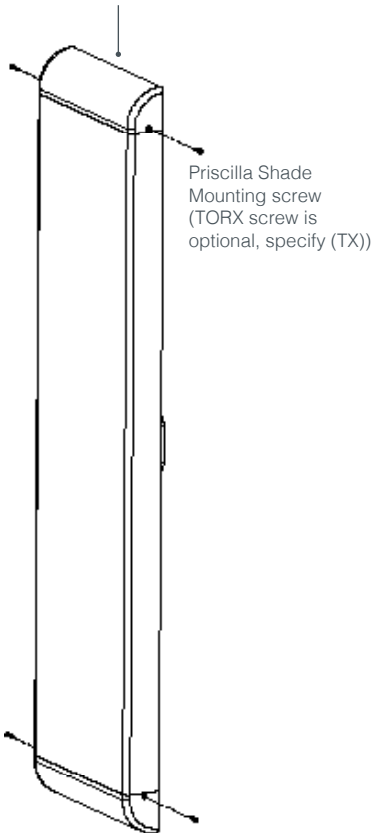
M3 screw



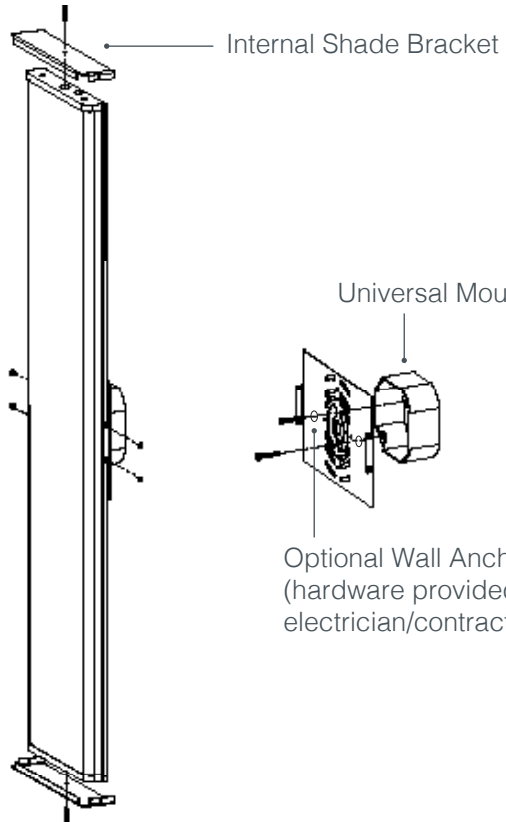
Universal Mounting Bracket



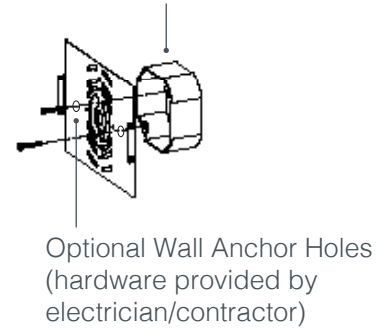
Priscilla Decorative Shades (LENS)



M3 screw



Universal Mounting Bracket



Dimming Options:

Your Priscilla luminaire includes two dimming options as standard:

1. LumenSelect 4 level light output (100%, 75%, 50%, and 25%)
2. 0-10V Dimming

You may choose either dimming option.

LumenSelect

Your Priscilla luminaire comes factory set at 100% light output. You may choose at the time of install from four settings:

- 100% light output
- 75% light output
- 50% light output
- 25% Light output

Note that the power consumption of the fixture decreases approximately in conjunction with the light output (ie. 50% light output consumes half the power)

To select, using a small flathead screwdriver, gently turn the LumenSelect dial at the end of the fixture clockwise to your desired setting. You can either set your light output prior installing your fixture OR you may set it after you have installed the fixture.

0-10V Dimming

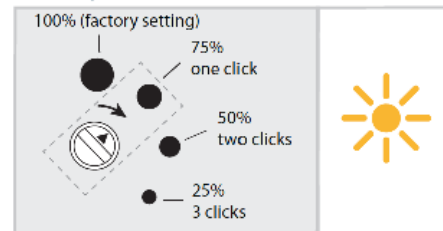
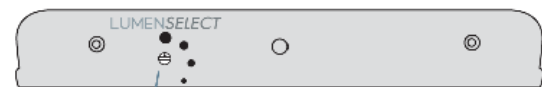
Note: To use the 0-10V dimming, be sure you have set your LumenSelect setting to 100% light output if you have changed it from its factory pre-setting of 100%. Your Priscilla luminaire also provides control wires accessible from the back of the fixture that provide 0-10V dimming. To utilize the 0-10V dimming you must provide control wires to the junction box. At the time of installation, attach Purple (DIM+) wire from back of fixture to DIM+ control wire from junction box. Attach Gray (DIM-) wire from back of fixture to DIM+ wire from junction box.

Compatible and Tested Dimmers:

- Lutron® Model DDTV
- Leviton® Model Decora ® Illumatech™ IP710-DLZ

LUMENSELECT

LUMENSELECT control panel on the end cap of ALVA luminaires.



The LumenSelect rotary switch should be turned gently clockwise with a small flathead screwdriver with a 1/8" or 3mm wide tip, one click at a time from factory setting to get desired output level.

TURN CLOCKWISE WITH CARE!

alva

Updated 05 2023

©2023 ALVA LIGHT. All rights reserved.