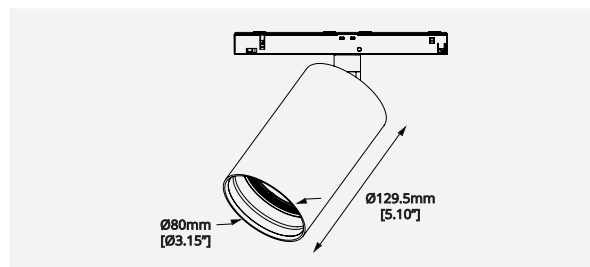


SOLO 20



OVERVIEW

Solo 20 Warm Dim brings the ambiance and warmth of traditional Halogen dimming into the modern age, with the added control and efficiency of advanced LED technology. As the fixture is dimmed, its colour temperature shifts smoothly from neutral 3,000K to a candlelight-like 1,800K, creating a cozy, inviting atmosphere. Powered by on-board intelligence within the fixture, Solo 20 Warm Dim is the perfect choice for residential, hospitality, or any space where mood-setting and warmth are key priorities.

KEY FEATURES

- Colour temperature becomes warmer with dimming
- No additional controls required for Warm Dim function
- Concealed hinge with 360° lockable pan, and 90° Tilt
- High output single source light engine
- Customisable with a range of optical accessories and holders
- Adapted for use with Stucchi Multisystem Evo 48V track

PERFORMANCE SUMMARY

	WARM DIM			
	Narrow	Medium	Wide	V. Wide
FWHM	21°	27°	38°	57°
Luminous Flux*	1,933 lm	1,765lm	1,790 lm	1,890 lm
Peak Intensity	11,335 Cd	6,820 Cd	4,289 Cd	2,294 Cd
CCT Range	1800 - 3000K			
CRI Min.	CRI 90			
Drive Current	700 mA (LED Current)			
Nom. Voltage	48 V			
Max. Wattage	25.4 W			
Max. Efficacy	82.8 lm/W			
Driver Type	Constant Current Remote			
Class	SELV Class III			

* Luminous Flux @ 3000K as delivered

ORDERING CODES

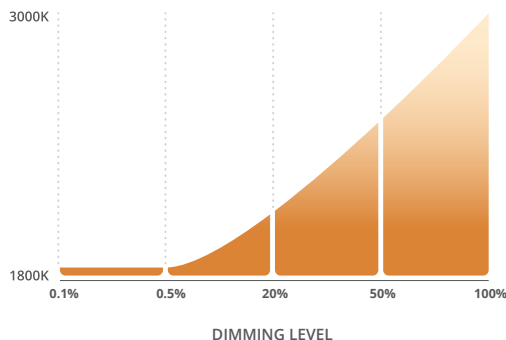
Luminaire:

Base Code	Engine	Track Adapter	Fixture Finish	CCT & CRI	Beam Angle	Driver*
1122		-				
	W Warm Dim	B Black T Traffic White	A Brushed Aluminium B Black T Traffic White R Rubbed Bronze P Polished Brass S Brushed Brass	W01 1800 - 3000K CRI 90 Min.	NA Narrow ME Medium WD Wide VW Very Wide	A 0-10V D DALI

* LED Driver integral to track adapter
48V PSU required to energise track system - see page 5

WARM DIM TECHNOLOGY

Precision's Warm Dim technology utilises fixture-integrated electronics that warm the colour temperature of the light as it dims; combining the beauty of Halogen with the efficacy of LEDs.



LIFETIME + ENVIRONMENTAL

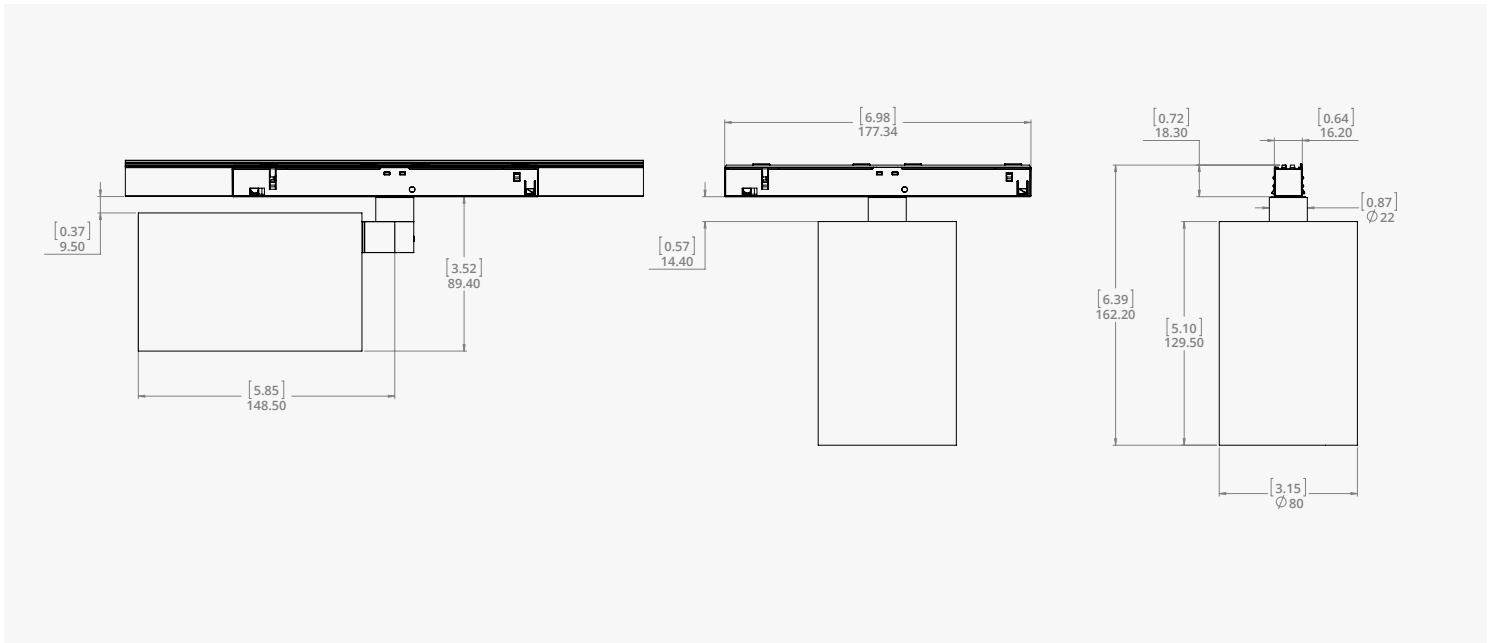
At Precision, we design and engineer our products with longevity in mind. Many of the components that make up our light fixtures are both modular, and re-usable, making it possible to service and repair them throughout their life in service. Once our products reach the end of their useful life, it is possible to re-work and renew them in to a new product. We prioritise the use of recyclable materials in both our products and packaging, and encourage our customers to engage responsibly in the correct disposal of any materials we supply.

WARM DIM

UK PART L

Part L1A / L1B (Dwellings)	●
Part L2A (General)	○
Part L2A (Display)	●
CIBSE TM65	28.023 Kg/CO2e
CIBSE TM66	2.4

DIMENSIONS



MECHANICAL

Location	IP20 Indoor Dry Location Only
Mounting	Surface plate with decorative cover
Adjustability	360° Lockable Pan 90° Tilt
Material	Aluminium 6063 or Brass H59
Weight	0.80 Kg [1.76 lbs] or 1.38 Kg [3.04 lbs]

FINISHES



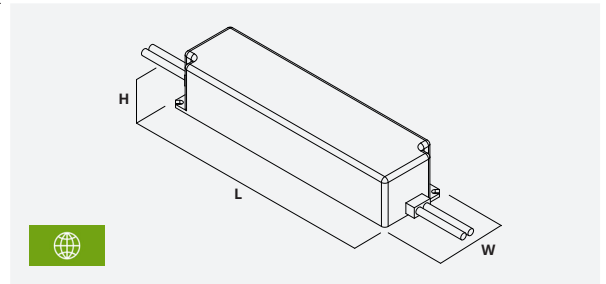
TRACK 48V PSU SELECTION

Remote | 100W

Input Voltage	230 VAC 50/60 Hz
Output Voltage	48 VDC
Driver Type	Remote Constant Voltage
Location	IP20 Indoor Dry Location Only
Usage Region	International

WARM DIM

Compatibility	
Max. Fixtures	3
Order Code	PSCV-100-48-N1-MW



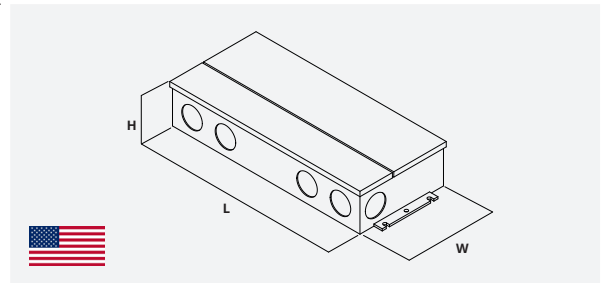
	L	W	H
mm	190	52	37
in	7.48	2.05	1.46

Remote | 96W

Input Voltage	120 - 277 VDC
Output Voltage	48 VDC
Driver Type	Remote Enclosure Constant Voltage
Location	IP20 Indoor Dry Location Only
Usage Region	North America Only

WARM DIM

Compatibility	
Max. Fixtures	3
Order Code	USCV-96-48-N1-SC-EN

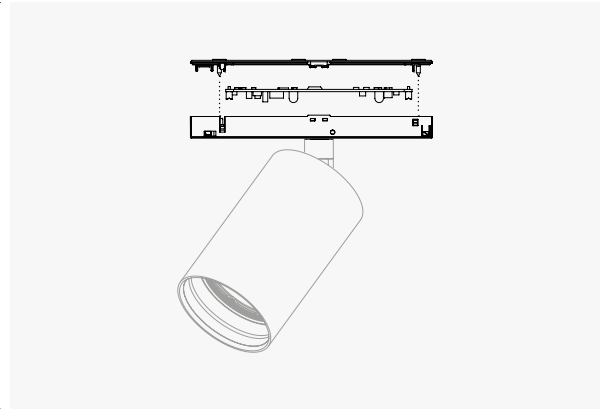


	L	W	H
mm	153	76.2	30.5
in	6.0	3.0	1.2

FIXTURE | INTEGRATED DRIVER DATA

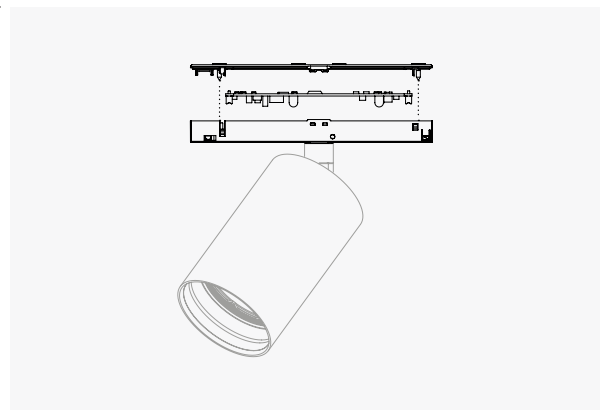
Fixture Integrated | 32W | 0-10V

Input Voltage	48 VDC
Dimming Control	0-10V
Min. Dim Level	0.5%
Flicker	No Observable Effect
Driver Type	Integral Constant Voltage
Location	IP20 Indoor Dry Location Only
Hotplug Protection	Yes



Fixture Integrated | 32W | DALI DT6

Input Voltage	48 VDC
Dimming Control	DALI
Min. Dim Level	0.1%
Flicker	IEEE P1789 Compatible No Observable Effect
Driver Type	Integral Constant Voltage
Location	IP20 Indoor Dry Location Only
Hotplug Protection	Yes



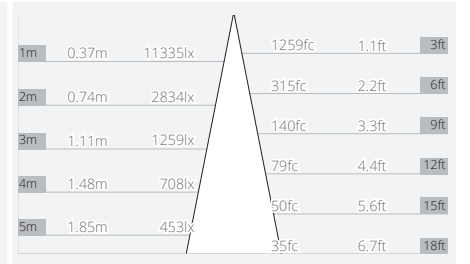
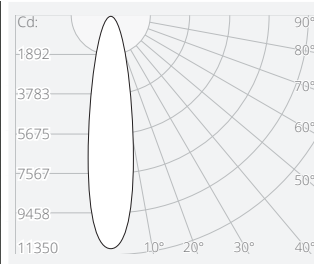
* Integrated driver is non-removable | data provided for information only

PHOTOMETRY DIAGRAMS

WARM DIM

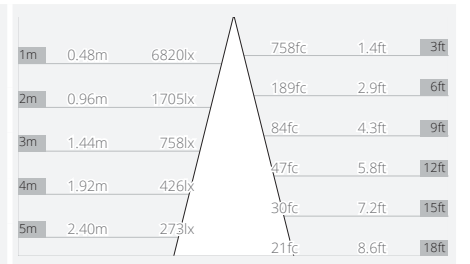
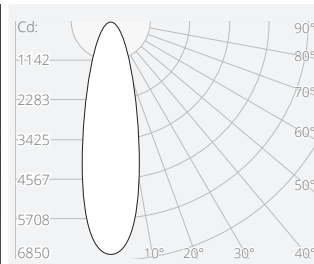
Narrow | 21° Beam

FWHM	21°
Delivered Flux	1,933 lm
Peak Intensity	11,335 Cd
UGR	UGR 10



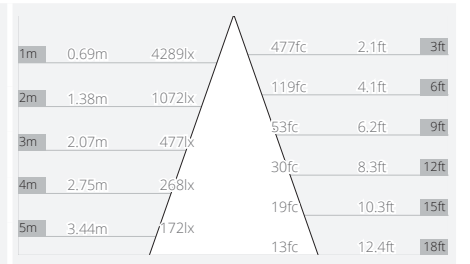
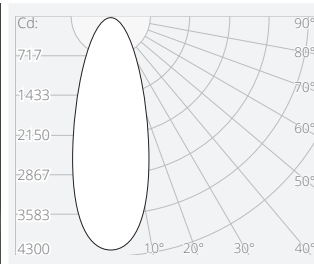
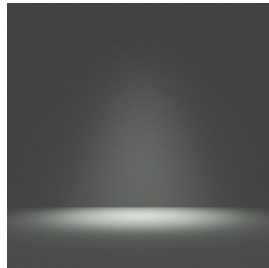
Medium | 27° Beam

FWHM	27°
Delivered Flux	1,765 lm
Peak Intensity	6,820 Cd
UGR	UGR 12.9



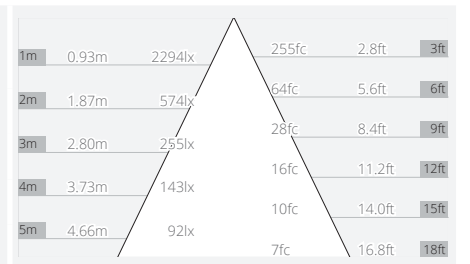
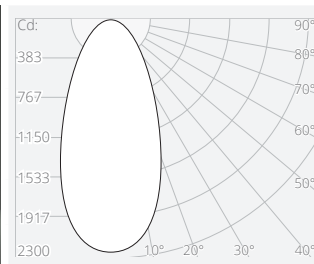
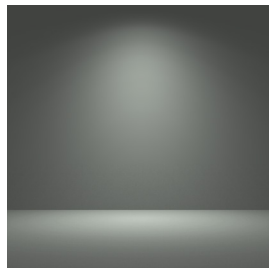
Wide | 38° Beam

FWHM	38°
Delivered Flux	1,790 lm
Peak Intensity	4,289 Cd
UGR	UGR 12.6



Very Wide | 50° Beam

FWHM	50°
Delivered Flux	1,890 lm
Peak Intensity	2,284 Cd
UGR	UGR 20



All diagrams and data as measured @ 3000K

PERFORMANCE SCALING BY CCT

CCT	Output Multiplier	Colour Consistency
1800K	x0.02	5 SDCM
2000K	x0.10	↑ 3 SDCM
2400K	x0.45	
2700K	x0.73	
3000K	x1.00	

Digital photometric files available as .LDT format.

Contact your sales rep or visit www.luminii.com for more information.



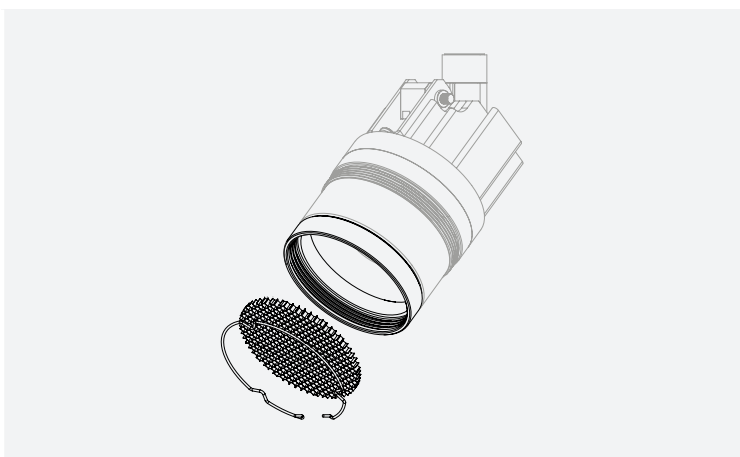
PRODUCT ANATOMY



**Optical accessories ordered separately*

- 1 High Output COB Light Engine with Warm Dim technology
- 2 Interchangeable Colour Mixing TIR Optic
- 3 Integral Double Accessory Holder
- 4 Range of Optical Accessories
- 5 Accessory Retention Clip

INTEGRATED ACCESSORY HOLDERS



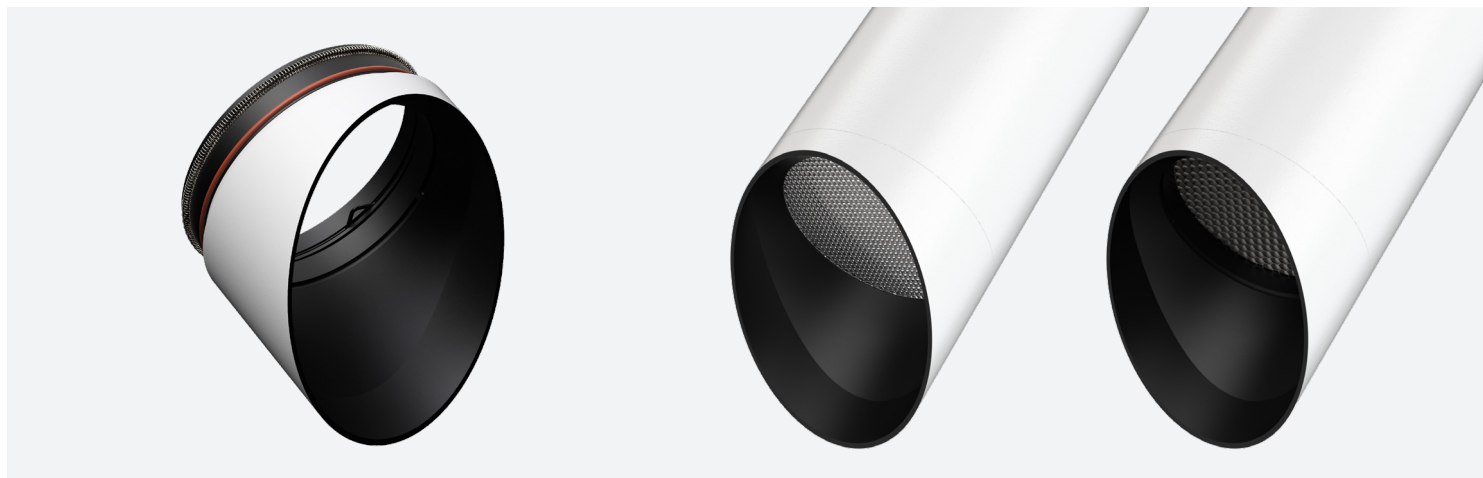
Double Accessory Holder

Built-in to Solo 20 Warm Dim

Accessory Dia. $\varnothing 68\text{mm}$ | $\varnothing 2.68''$

Capacity 5.0mm | $0.2''$ Max Thickness



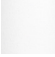



GLARE GUARD ACCESSORY HOLDER

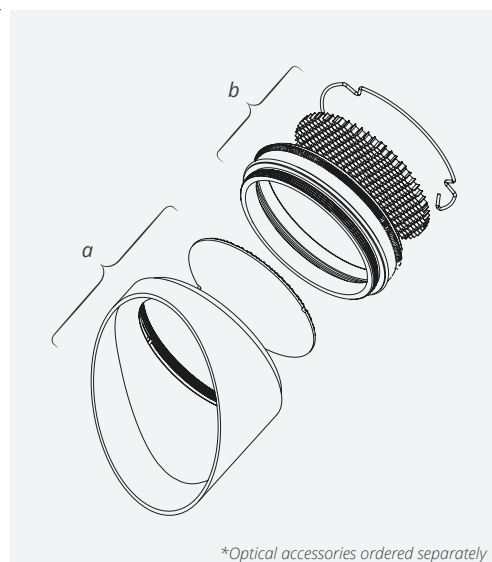


The Glare Guard Accessory Holder is an angled, snap-in snoot extension capable of holding a range of optical accessories, including honeycombs, gels, and beam shaping optics such as Wallwash and Linear Spread Lenses. The holder comprises of two halves, a front compartment and a rear compartment. The rear compartment is capable of holding a single accessory, whilst the front compartment is used to hold orientation dependent beam shaping optics such as the Wallwash and Linear Spread lens.

	a. Front Compartment	b. Rear Compartment
Accessory Diameter	Ø66 mm 2.60"	Ø68 mm 2.67"
Capacity	1.2mm 0.05" Max. Thickness	3.2mm 0.125" Max. Thickness
Orientation Indexing	Yes - Alignment Notches	No
Weight	Aluminium: 114g Brass: 287g	

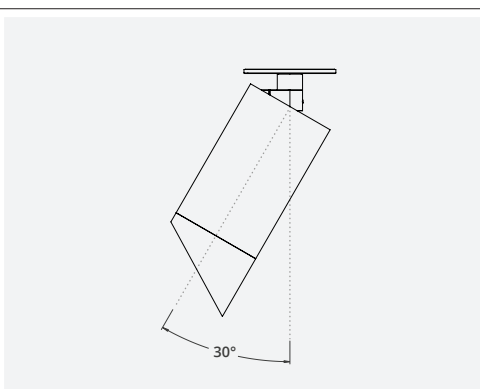
Ordering Codes*

	Black	1120-GLR-01-BK		Polished Brass	1120-GLR-02-PB
	Traffic White	1120-GLR-01-TW		Brushed Brass	1120-GLR-02-SB
	Brushed Aluminium	1120-GLR-01-AL		Rubbed Bronze	1120-GLR-02-RB



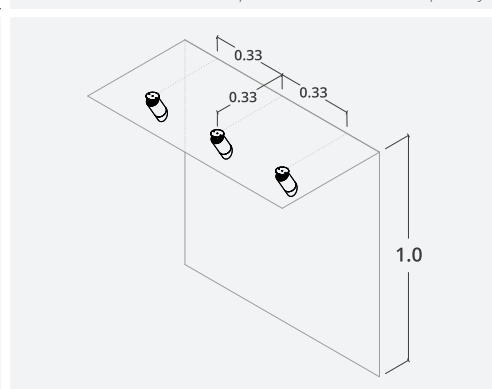
Orientation Indexing

For optical accessories that require a specific orientation, use their alignment notches to position them correctly within the Glare Guard Accessory Holder. Ensure that discs are installed with their textured side facing inwards towards LED.



Wallwash Fixture Angle

For optimum performance, the fixture should be angled at approx. 30° from the vertical plane.



Wallwash Positioning and Pitch

Wallwash fixtures should be positioned one-third of the ceiling height away from the wall and spaced apart by the same distance.



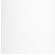



SNOOT ACCESSORY HOLDER



The Snoot Accessory Holder (sold separately) enhances the Solo 20's optical accessory capacity while adding decorative trim in a variety of complementary finishes. Its snap-in, snap-out mechanism is completely tool-free, making on-site adjustments simple and ensuring the holder fits flush with the snoot's front edge.

Accessory Diameter	Ø68 mm 2.67"
Capacity	3.2mm 0.125" Max. Thickness
Orientation Index	No
Weight	Aluminum 31g Brass 91g





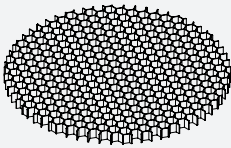
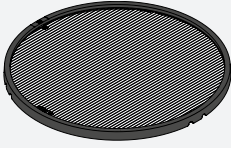
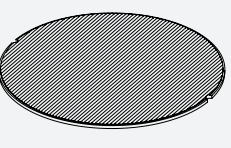
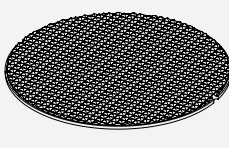
Ordering Codes*

 Black	1120-HOL-01-BK	 Polished Brass	1120-HOL-02-PB
 Traffic White	1120-HOL-01-TW	 Brushed Brass	1120-HOL-02-SB
 Brushed Aluminium	1120-HOL-01-AL	 Rubbed Bronze	1120-HOL-02-RB



*Optical accessories ordered separately

OPTICAL ACCESSORIES

<p>SPARE OPTICS</p>				
	<p>Narrow TIR Optic For Solo 20 Warm Dim HKRG-68-15-PC</p>	<p>Medium TIR Optic For Solo 20 Warm Dim HKRG-68-24-PC</p>	<p>Wide TIR Optic For Solo 20 Warm Dim HKRG-68-36-PC</p>	<p>Very Wide TIR Optic For Solo 20 Warm Dim HKRG-68-50-PC</p>
	<p>GLARE CONTROL</p>			
		<p>Ø68 Honeycomb Louvre Ø68 x 3.2mm Ø2.67 x 0.125" Fits all accessory holders 995-68-BK</p>		
<p>BEAM MODIFIERS</p>				
	<p>Ø68 Linear Spread Lens Ø68 x 3.0mm Ø2.67 x 0.12" Fits all accessory holders HKFD-68-LIN</p>	<p>Ø66 Linear Spread Lens Ø66 x 1.2mm Ø2.60 x 0.05" For Glare Guard Accessory only HKFD-68-LIN-1</p>	<p>Ø66 Wallwash Lens Ø66 x 1.2mm Ø2.60 x 0.05" For Glare Guard Accessory only HKFD-68-WAS-1</p>	