

# DMX RGBW 1 Zone Controller - Installation Instructions

Models DMX-1Z-RGBW



7777 N. Merrimac Ave  
Niles, IL 60714  
T 224.333.6033  
F 224.757.7557  
info@luminii.com  
www.luminii.com

**Please read all instructions prior to installation and keep for future reference!**

1. Product to be installed by a qualified electrician.
2. Prior to installation ensure power is off at fuse box to prevent electrical shock.

Page 1 of 3

**1**

120 - 240VAC wires

junction box

controller power supply

**Note:** All wires must be present in junction box (supplied by contractor) to connect controller properly.

**1.1** Connect the white (neutral) & black (hot) power supply wires to the white & black power wires (120 - 240VAC).

**2**

controller face

controller housing

tab

**2.1** Carefully insert a flat screw driver into the controller housing tab and slightly pull up until controller face comes off.

**3**

junction box

controller housing

controller screw

terminal connection close up

**3.1** Loosen the screws on the back of the controller housing and make all the proper wiring and then re-tighten screws. Refer to the wiring diagram on page 2 for additional information.

**4**

junction box

controller housing

screw

**4.1** Align the controller housing to the junction box and secure using the two screws.

**5**

controller housing pins

controller face

**5.1** Align the back of the controller face to the controller housing pins and snap in to secure.

# DMX RGBW 1 Zone Controller - Installation Instructions

Models DMX-1Z-RGBW



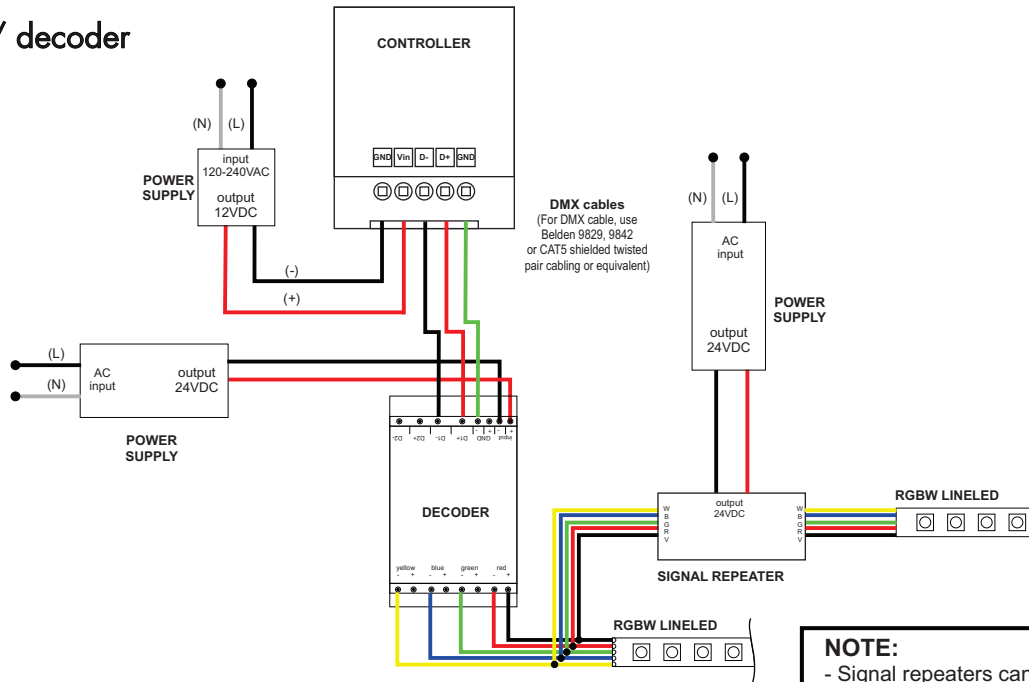
7777 N. Merrimac Ave  
Niles, IL 60714  
T 224.333.6033  
F 224.757.7557  
info@luminii.com  
www.luminii.com

**Please read all instructions prior to installation and keep for future reference!**

1. Product to be installed by a qualified electrician.
2. Prior to installation ensure power is off at fuse box to prevent electrical shock.

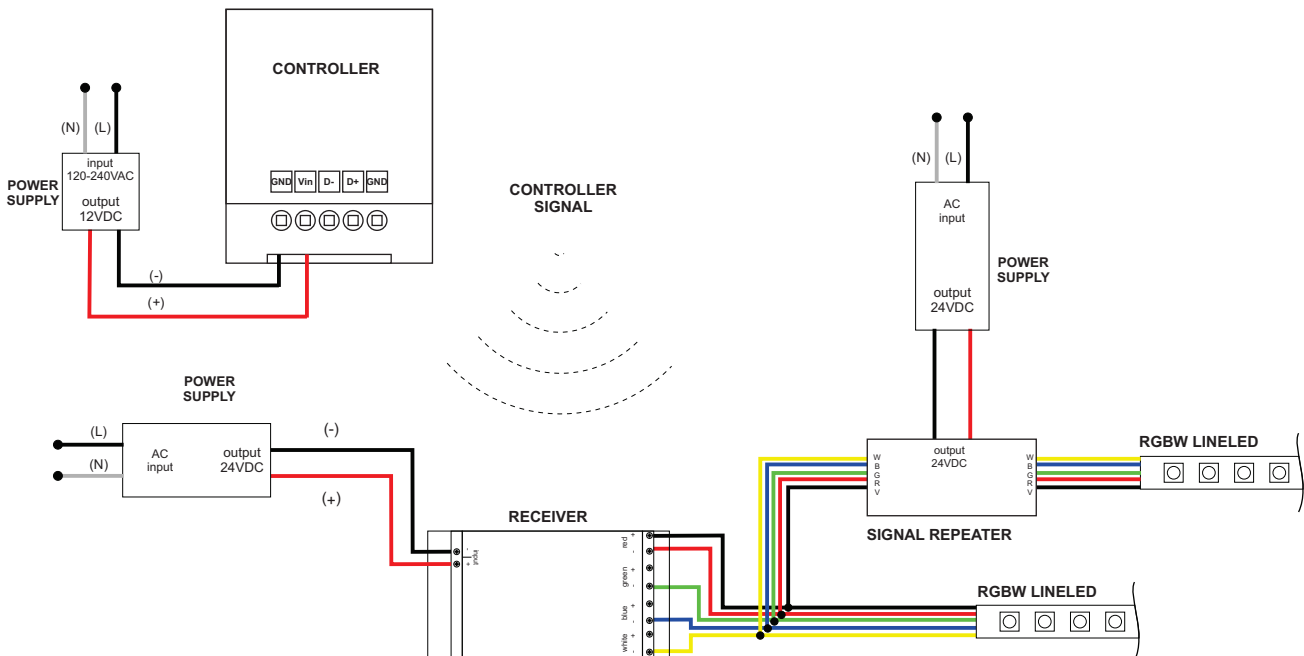
## Wiring Diagram

### wiring w/ decoder



**NOTE:**  
- Signal repeaters can be connected to either beginning or end of the LineLED run.  
- 1 repeater is needed every 96 watts.

### wiring w/ receiver



**NOTE:**  
- Signal repeaters can be connected to either beginning or end of the LineLED run.  
- 1 repeater is needed every 96 watts.

# DMX RGBW 1 Zone Controller - Installation Instructions

Models DMX-1Z-RGBW



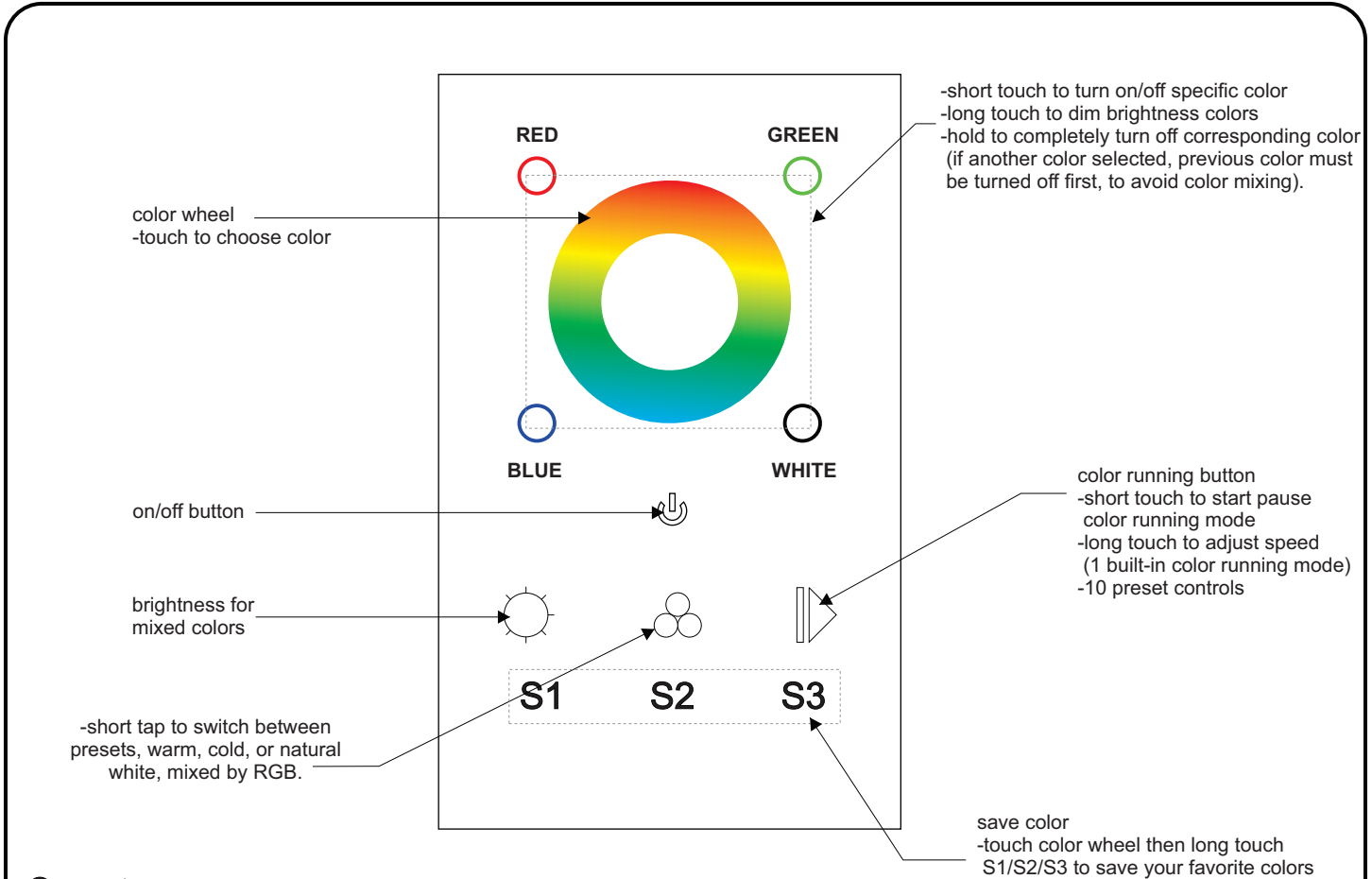
7777 N. Merrimac Ave  
Niles, IL 60714  
T 224.333.6033  
F 224.757.7557  
info@luminii.com  
www.luminii.com

**Please read all instructions prior to installation and keep for future reference!**

1. Product to be installed by a qualified electrician.
2. Prior to installation ensure power is off at fuse box to prevent electrical shock.

Page 3 of 3

## Controller Buttons



## Operations

### 1. How to set DMX address

- a. Controller can operate many DMX decoders.
- b. All DMX decoders must be set at 001. (Note one DMX decoder has 4 channels , use 001, 002, 003, 004).

### 2. Syncing the controller to receiver

- a. press the ON/OFF button.
- b. press the learning button on receiver
- c. then touch color wheel.
- d. when connected LED light will blink to confirm zone designation
- e. to delete modes: press the learning button on receiver for over 5 seconds until the LED light flashes.

### 3. How to save color or mode

S1, S2, S3 buttons can save a color from a mode, or it can save a color that you selected from the color wheel.

The S1, S2, S3 button, includes three default RGB colors. To replace these RGB color, press the color running button. Select a new color than select one of the S1, S2, S3 button and hold for 3 seconds until the light flashes. Then it saves successfully.