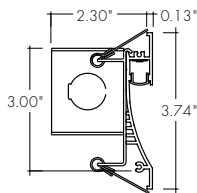




Features

- 24VDC Class 2 fixtures made to order up to 120".
- Approved for closet/storage space installation per NEC 410.16(A) (3) and 410.16(C)(5) on outputs 5.7 W/ft or less
- Class 2 listed for damp locations
- Proprietary strong bond solder method handles up to 50 lbs of pull force on wire leads and connectors
- High Color Quality options offer premium quality and vibrant colors with R9 values up to 97
- Average Life (L70): 50,000hrs
- 7 year warranty



Finish Options (see page 2 for additional information)

- Base Silver Anodized
-
- Powder Coat Black Bronze White
-
- Premium Matte Black Warm Nickel Aged Brass Polished Gold Chrome



Technical Information

MODEL	High Color Quality		
	72SO	72HO	72VHO
OUTPUT OPTIONS			
Lumens Output (3000K) <small>(with a Frosted Lens)</small>	176 lm/ft	286 lm/ft	348 lm/ft
Average Power Consumption <small>(for a 4" section)</small>	2.8 W/ft	4.8 W/ft	6 W/ft
Efficacy	63 lm/W	60 lm/W	58 lm/W
Max Run Length <small>(in series)</small>	40 ft	31 ft	22 ft
Ambient Operating Temperature Range*	-5°F - 125°F (-20°C - 50°C)	-5°F - 125°F (-20°C - 50°C)	-5°F - 125°F (-20°C - 50°C)

CCT	Multiplier <small>(reference - 3000K)</small>	High Color Quality (72)			
		CRI	R _f	R _g	R ₉
1900K	0.55	96	94	97	90
2200K	0.70	96	95	101	89
2400K	0.72	98	97	101	91
2700K	0.74	97	96	101	91
3000K	1.00	97	95	104	97
3500K	1.02	97	94	105	97
4100K	1.07	97	90	99	97

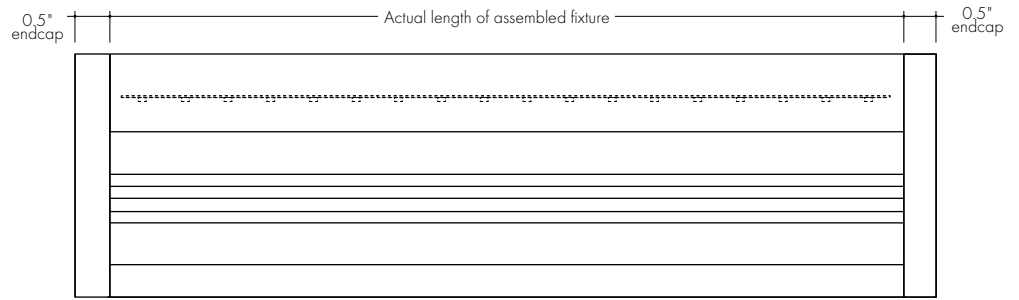
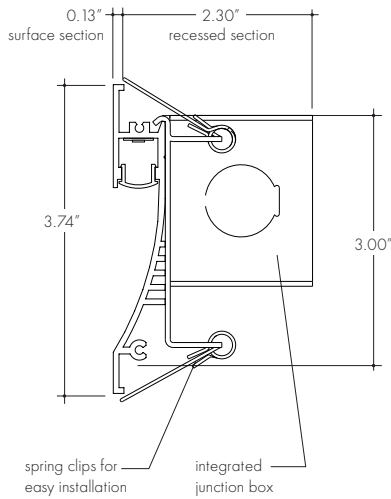
* Ambient Operating Temperature Range to maintain L70 of 50k+ hours in normal mounting conditions for the fixture. Exceeding Ambient Operating Temperature Range may result in decreased life/output. Consult Technical Support for specific inquiries.

Ordering Code

MODEL	LENGTH ¹	OUTPUT ²	CCT	LENS	FINISH ³	LEFT END CAP	RIGHT END CAP	POWER FEED LEFT END ^{5,6}	POWER FEED RIGHT END ^{5,6}
WP - Wall Plus	8"-120" 1" increments	72SO - Standard 72HO - High 72VHO - Very High	19K - 1900K 22K - 2200K 24K - 2400K 27K - 2700K 30K - 3000K 35K - 3500K 41K - 4100K	F - Frosted	BASE SA - Silver Anodized POWDER COAT BK - Black BZ - Bronze WH - White PREMIUM MBK - Matte Black WN - Warm Nickel AB - Aged Brass PG - Polished Gold ⁴ CH - Chrome ⁴	LE - Endcap Left End LN - No Endcap Left End	RE - Endcap Right End RN - No Endcap Right End	JUNCTION BOX LJB - Junction Box Left LNPF - No Power Feed	JUNCTION BOX RNPF - No Power Feed RJB - Junction Box Right

1 - Custom lengths and increments are available, please consult Inside Sales with specific request.
 2 - High Color Quality options can be used to comply with Title 24 JA8 depending on Output, CCT, and Lens selections.
 3 - Non Base finishes may have extended lead times. Custom RALs are available, please consult Inside Sales with specific request.
 4 - Polished Gold finishes and Chrome finishes have a maximum fixture length of 96"
 5 - NOTE: Cannot pair LJB/RJB together. Only one power feed per fixture/section on Wall Plus
 6 - Junction Box comes with 24" plenum rated wire.

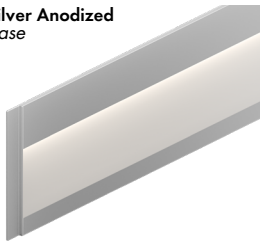
Product Dimensions



Finish Options

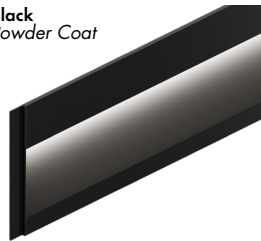
- Finish options are available in a wide variety, allowing for complete customization of style and aesthetic.
- Non Base finishes may have extended lead times.
- Polished Gold and Chrome finishes have a maximum fixture length of 96".
- Custom RALs are available, please consult Inside Sales with specific request.

Silver Anodized Base



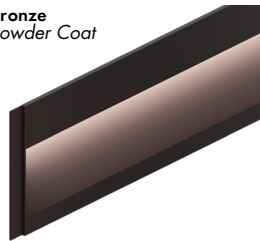
Silver Anodized is a soft silver with a clear finish.

Black Powder Coat



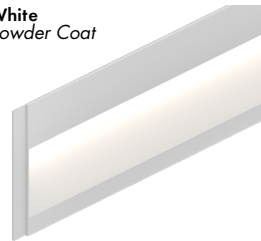
Black is a true deep black with a glossy finish.

Bronze Powder Coat



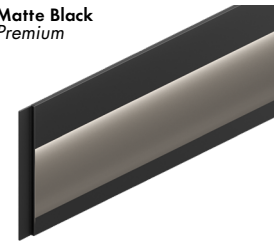
Bronze is a rich, dark brown with a satin finish.

White Powder Coat



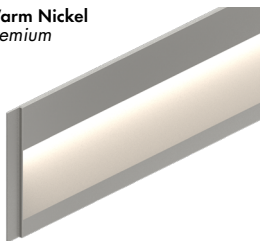
White is a polar bright white and field paintable.

Matte Black Premium



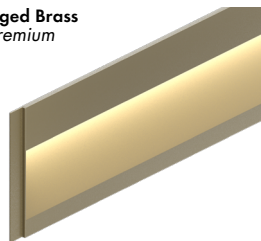
Matte Black is a dark, pitch-black with a soft flat finish.

Warm Nickel Premium



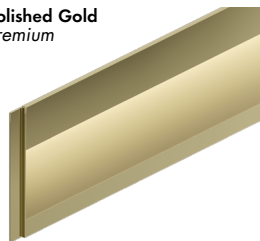
Warm Nickel is a soft, silvery smoke with warm tones and a satin finish.

Aged Brass Premium



Aged Brass is a deep brown shade with slightly golden undertones.

Polished Gold Premium



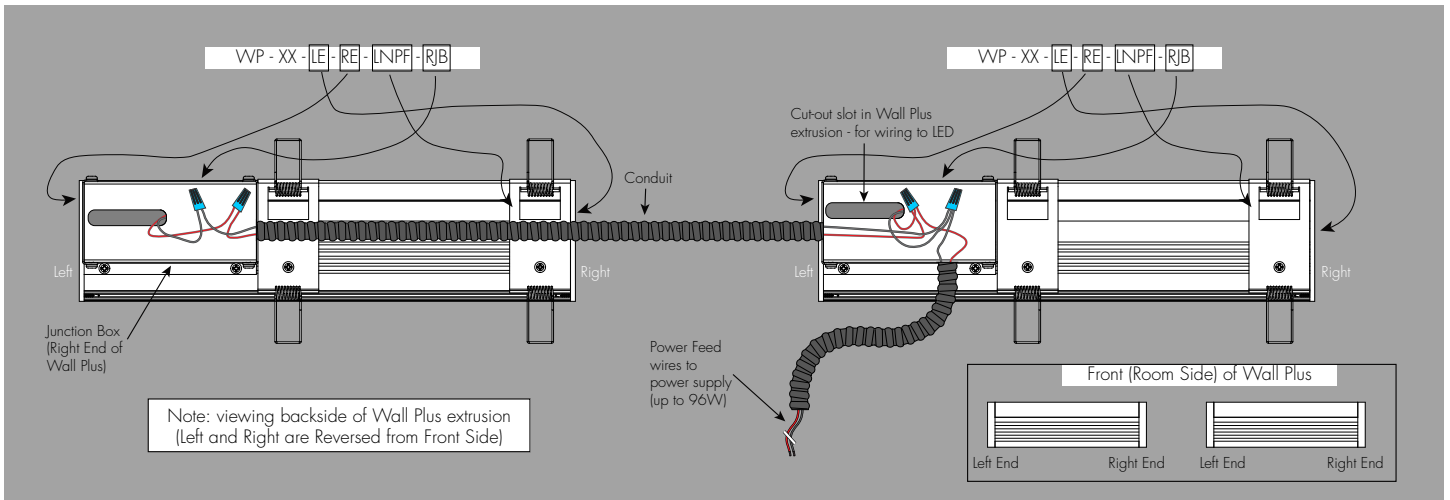
Polished Gold is bright and radiant for a brilliant finish.

Chrome Premium

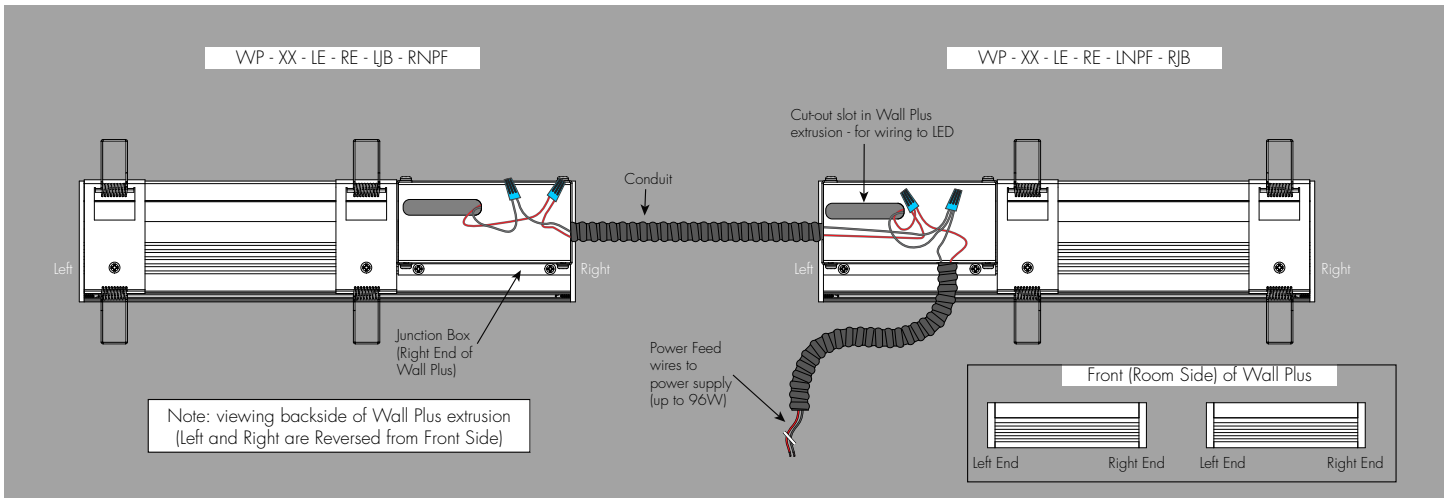


Chrome is a highly reflective silver polish.

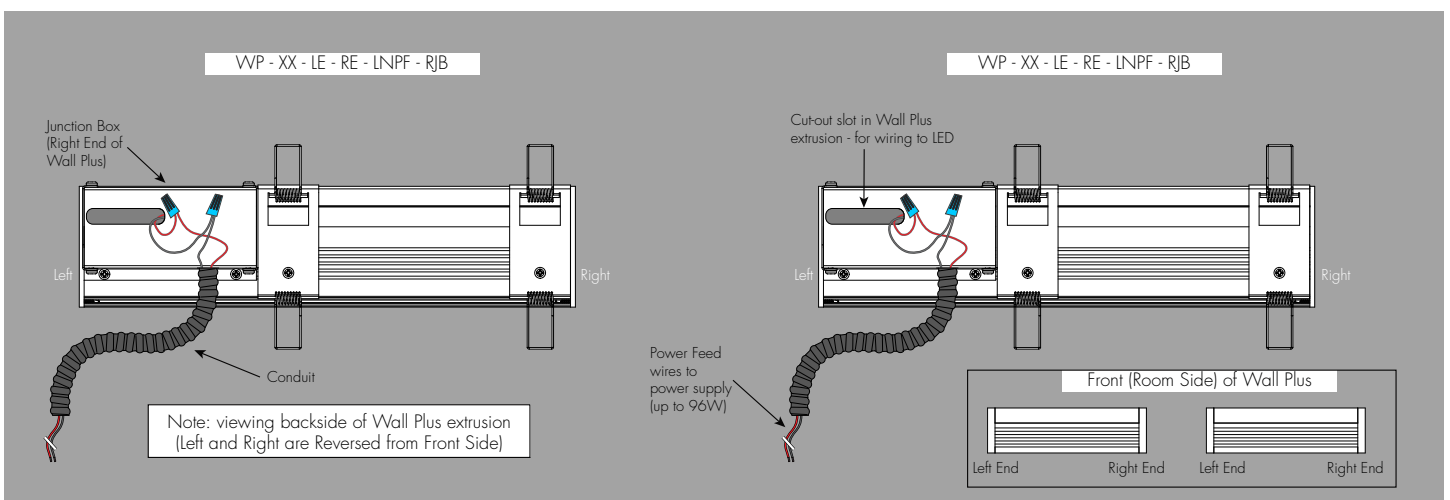
Sample Layout of Power Feed (Backside of Wall Plus)



Sample Layout of Power Feed (Backside of Wall Plus)

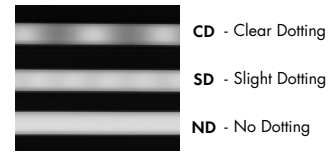


Sample Layout of Power Feed (Backside of Wall Plus)



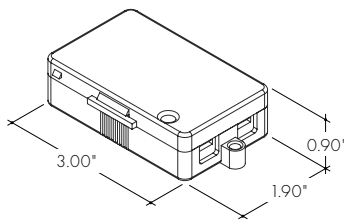
Light Transmission and Dotting

Output Options	Lens/Accessory			
	Frosted Lens			
Diming Level	100%	50%	10%	1%
72SO	SD	SD	SD	SD
72HO	SD	SD	SD	SD
72VHO	SD	SD	SD	SD
Transmission Percentage	100%			

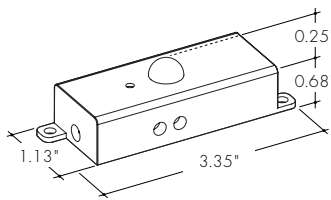


Accessory Options

LVSP-4T-BK
Low Voltage, 4 Terminal Splice Box, Black

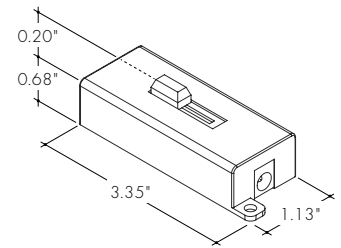


OS-DC-F4-BK
Occupancy Sensor



Male Quick Connect, FMA, LMC, LYC, or IS-DC are required for input and output.

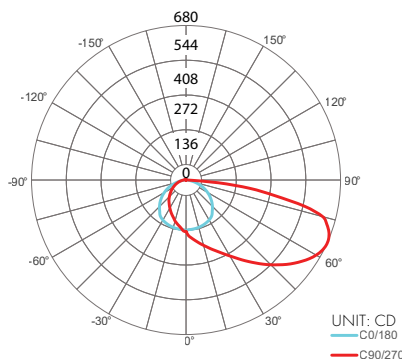
DIM-DC-F4-BK
24VDC Low Voltage In-line Dimmer Module



Male Quick Connect, FMA, LMC, LYC, or IS-DC are required for input and output.

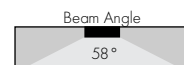
Photometry

WP-48-30K-72VHO-F
Wall Plus, 4ft, 3000K, VHO, Frosted Lens



Zonal Lumen Summary 3000K

Zone	Lumen	% Fixture
0-30	201	1.4%
0-40	357	25.7%
0-60	802	57.6%
0-90	1379	99.0%
0-180	1392	100.0%
Total		



Power Consumption

Tested at Full Power with PS-UNI Series power supplies.

Standard Nominal Lengths offered provide minimal shadowing. For alternate lengths, please consult Inside Sales with specific request.

High Color Quality (72)

Nominal Length (in)	Actual Length	Watts			Nominal Length (in)	Actual Length	Watts			Nominal Length (in)	Actual Length	Watts			Nominal Length (in)	Actual Length	Watts		
		SO	HO	VHO			SO	HO	VHO			SO	HO	VHO					
12	11 2/16	2.7	4.4	6.2	47	47	10.5	17.4	23.1	82	81 12/16	18.3	29.5	38.4	117	116 7/16	25.9	40.8	52.4
13	12 4/16	2.7	4.4	6.2	48	-	-	-	-	83	82 14/16	18.5	29.8	38.8	118	117 9/16	26.1	41.1	52.8
14	13 7/16	2.9	4.8	6.7	49	48 2/16	10.7	17.8	23.5	84	-	-	-	-	119	118 12/16	26.3	41.4	53.2
15	14 9/16	3.1	5.2	7.3	50	49 5/16	11.1	18.6	24.4	85	84 1/16	18.7	30.1	39.2	120	119 14/16	26.5	41.7	53.6
16	15 12/16	3.4	5.6	7.8	51	50 8/16	11.4	18.9	24.9	86	85 3/16	19.2	30.8	40.0					
17	16 14/16	3.6	6.0	8.3	52	51 10/16	11.6	19.3	25.3	87	86 6/16	19.4	31.1	40.4					
18	-	-	-	-	53	52 13/16	11.9	19.7	25.7	88	87 8/16	19.6	31.5	40.8					
19	18 1/16	3.9	6.5	8.9	54	53 15/16	12.1	20.1	26.1	89	88 11/16	19.9	31.8	41.1					
20	19 3/16	4.4	7.3	9.9	55	-	-	-	-	90	89 13/16	20.1	32.2	41.5					
21	20 6/16	4.6	7.7	10.5	56	55 2/16	12.3	20.5	26.6	91	91	20.4	32.5	41.9					
22	21 8/16	4.8	8.1	11.0	57	56 4/16	12.8	21.3	27.4	92	-	-	-	-					
23	22 11/16	5.1	8.6	11.5	58	57 7/16	13.1	21.6	27.8	93	92 3/16	20.6	32.9	42.3					
24	23 13/16	5.3	9.0	12.1	59	58 9/16	13.3	22.0	28.3	94	93 5/16	21.1	33.6	43.1					
25	25	5.6	9.4	12.6	60	59 12/16	13.6	22.4	28.7	95	94 8/16	21.3	33.9	43.4					
26	-	-	-	-	61	60 14/16	13.8	22.8	29.1	96	95 10/16	21.5	34.2	43.8					
27	26 2/16	5.8	9.8	13.1	62	-	-	-	-	97	96 13/16	21.8	34.6	44.2					
28	27 5/16	6.2	10.5	14.1	63	62 1/16	14.0	23.1	29.6	98	97 15/16	22.0	34.9	44.6					
29	28 8/16	6.5	10.9	14.5	64	63 3/16	14.5	23.8	30.5	99	-	-	-	-					
30	29 10/16	6.7	11.2	15.0	65	64 6/16	14.7	24.1	31.0	100	99 2/16	22.2	35.2	45.0					
31	30 13/16	6.9	11.6	15.5	66	65 8/16	14.9	24.4	31.4	101	100 4/16	22.5	35.9	45.9					
32	31 15/16	7.1	12.0	16.0	67	66 11/16	15.1	24.7	31.9	102	101 7/16	22.7	36.2	46.3					
33	-	-	-	-	68	67 13/16	15.3	25.0	32.4	103	102 9/16	22.9	36.5	46.7					
34	33 2/16	7.3	12.3	16.5	69	69	15.5	25.4	32.8	104	103 12/16	23.1	36.8	47.1					
35	34 4/16	7.8	13.1	17.4	70	-	-	-	-	105	104 14/16	23.3	37.1	47.5					
36	35 7/16	8.0	13.4	17.9	71	70 3/16	15.8	25.7	33.3	106	-	-	-	-					
37	36 9/16	8.2	13.8	18.4	72	71 5/16	16.2	26.3	34.2	107	106 1/16	23.5	37.4	48.0					
38	37 12/16	8.4	14.2	18.9	73	72 8/16	16.4	26.6	34.7	108	107 3/16	23.9	38.1	48.8					
39	38 14/16	8.7	14.5	19.3	74	73 10/16	16.6	26.9	35.1	109	108 5/16	24.1	38.4	49.2					
40	-	-	-	-	75	74 13/16	16.8	27.3	35.5	110	109 7/16	24.3	38.7	49.6					
41	40 1/16	8.9	14.9	19.8	76	75 15/16	17.1	27.6	35.9	111	110 10/16	24.5	39.0	50.0					
42	41 3/16	9.3	15.6	20.7	77	-	-	-	-	112	111 13/16	24.8	39.3	50.4					
43	42 6/16	9.6	16.0	21.2	78	77 2/16	17.3	27.9	36.3	113	112 15/16	25.0	39.6	50.8					
44	43 8/16	9.8	16.4	21.7	79	78 4/16	17.7	28.5	37.2	114	-	-	-	-					
45	44 11/16	10.0	16.7	22.1	80	79 7/16	17.9	28.9	37.6	115	114 2/16	25.2	39.9	51.2					
46	45 13/16	10.2	17.1	22.6	81	80 9/16	18.1	29.2	38.0	116	115 4/16	25.6	40.5	52.0					

Voltage Drop Calculator

The below chart assumes nominal voltage of 24 Volts and a Voltage Drop Allowance of 3% through the wire

Wattage [W]	Maximum Wire Length From Power Supply to Start of Run [ft]						
	12 AWG	14 AWG	16 AWG	18 AWG	20 AWG	22 AWG	24 AWG
5	1088.2	684.4	430.3	270.6	170.2	107.1	67.3
10	544.1	342.2	215.1	135.3	85.1	53.5	33.7
15	362.7	228.1	143.4	90.2	56.7	35.7	22.4
20	272.0	171.1	107.6	67.7	42.6	26.8	16.8
25	217.6	136.9	86.1	54.1	34.0	21.4	13.5
30	181.4	114.1	71.7	45.1	28.4	17.8	11.2
35	155.5	97.8	61.5	38.7	24.3	15.3	9.6
40	136.0	85.5	53.8	33.8	21.3	13.4	8.4
45	120.9	76.0	47.8	30.1	18.9	11.9	7.5
50	108.8	68.4	43.0	27.1	17.0	10.7	6.7
55	98.9	62.2	39.1	24.6	15.5	9.7	6.1
60	90.7	57.0	35.9	22.6	14.2	8.9	5.6
65	83.7	52.6	33.1	20.8	13.1	8.2	5.2
70	77.7	48.9	30.7	19.3	12.2	7.6	4.8
75	72.5	45.6	28.7	18.0	11.3	7.1	4.5
80	68.0	42.8	26.9	16.9	10.6	6.7	4.2
85	64.0	40.3	25.3	15.9	10.0	6.3	4.0
90	60.5	38.0	23.9	15.0	9.5	5.9	3.7
96	56.7	35.6	22.4	14.1	8.9	5.6	3.5

Power Supplies

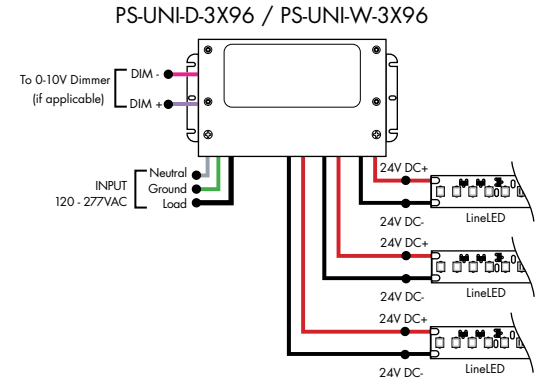
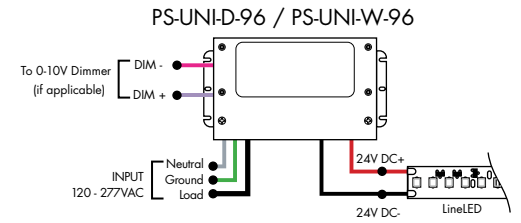
See Power Supply instructions and spec sheet for wiring information. For a complete list of compatible dimmers, see Compatible Dimming Chart on the Resources page.

Ordering Code Universal Dimming Power Supplies 1% 120VAC - 277VAC

MODEL	INPUT CONTROL	ENVIRONMENT	WATTAGE	OUTPUT
PS-Power Supply, 120-277VAC	UNI-0-10V Dimming, Phase Dimming	D-Dry W-Wet	30-30 Watts 60-60 Watts 96-96 Watts 3x96-3x96 Watts	24-24 VDC

Compatibility: View a complete list of compatible dimmers on product page [\(Link\)](#)

0-10V - 1% dimming
MLV/ELV/TRIAC - 1% dimming, consult dimming compatibility chart



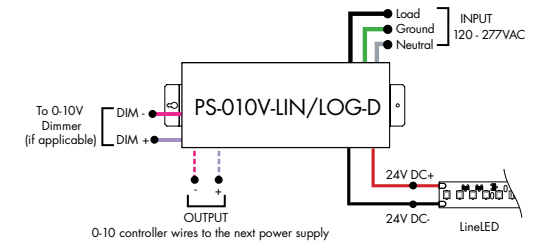
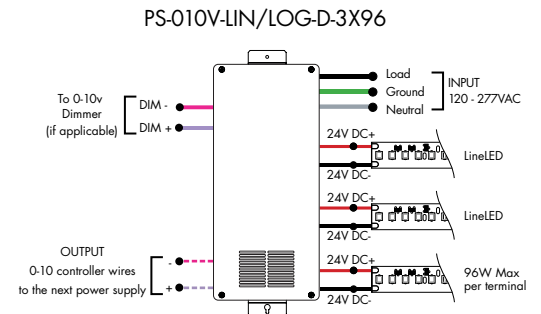
MODELS	PS-UNI-W-30W	PS-UNI-W-60W	PS-UNI-W-96W	PS-UNI-W-3X96W
Length	6.50"	7.40"	8.66"	11.85"
Width	3.73"	3.73"	3.73"	4.32"
Depth	1.61"	1.61"	1.61"	1.81"

MODELS	PS-UNI-D-30W	PS-UNI-D-60W	PS-UNI-D-96W	PS-UNI-D-3X96W
Length	8.77"	8.77"	8.11"	9.94"
Width	4.27"	4.27"	5.60"	7.61"
Depth	1.83"	1.83"	1.83"	2.02"

Ordering Code 0-10V Dimming Power Supplies 0.1% 120VAC - 277VAC

MODEL	INPUT CONTROL	ENVIRONMENT	WATTAGE	OUTPUT
PS-Power Supply, 120-277VAC	010V-LIN-0-10V Dimming (0.1%), Linear 010V-LOG-0-10V Dimming (0.1%), Logarithmic	D-Dry	96-96 Watts 3X96-3x96 Watts	24-24 VDC

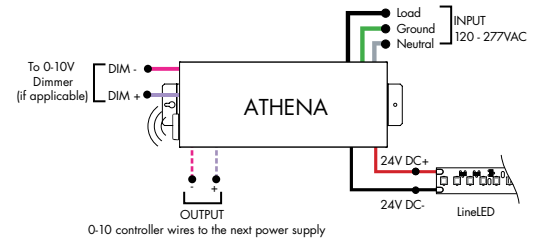
MODELS	96W	3X96
Length	14.40"	15.00"
Width	5.20"	6.62"
Depth	2.60"	4.45"



Athena 0-10V LED Driver

MODEL	INPUT CONTROL	ENVIRONMENT	WATTAGE	OUTPUT	FEATURE
PS-Power Supply, 120-277VAC	010V-LIN-0-10V Dimming, Linear 010V-LOG-0-10V Dimming, Logarithmic	D-Dry	96-96 W	24-24 VDC	AWNR-Athena

MODELS	96W
Length	14.40"
Width	5.20"
Depth	2.60"



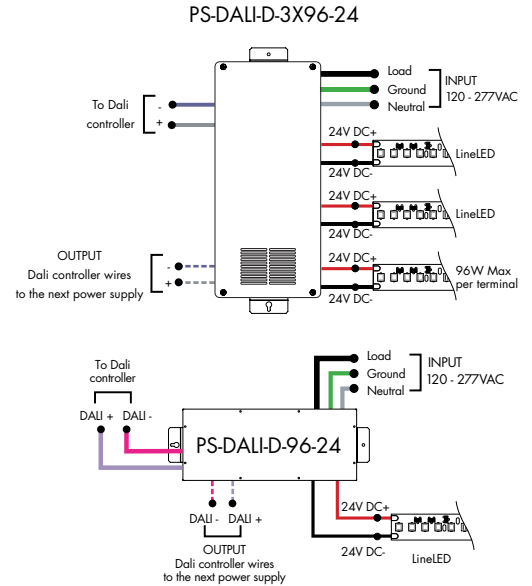
Power Supplies

See Power Supply instructions and spec sheet for wiring information. For a complete list of compatible dimmers, see Compatible Dimming Chart on the Resources page.

Ordering Code DALI Dimming Power Supplies 0.1% 120VAC - 277VAC

MODEL	INPUT CONTROL	ENVIRONMENT	WATTAGE	OUTPUT
PS-Power Supply, 120-277VAC	DALI-DALI (0.1%)	D-Dry	96-96 Watts 3X96-3X96 Watts	24-24 VDC

Model	96W	3X96
Length	14.40"	15.00"
Width	5.20"	6.62"
Depth	2.60"	4.56"

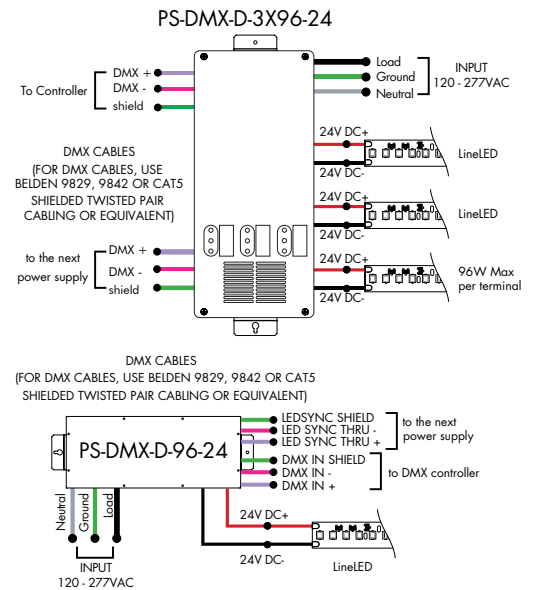


Ordering Code DMX Dimming Power Supplies 0.1% 120VAC - 277VAC Requires Zonal Control

MODEL	INPUT CONTROL	ENVIRONMENT	WATTAGE	OUTPUT
PS-Power Supply, 120-277VAC	DMX-DMX (0.1%)	D-Dry	96-96 Watts 3X96-3X96 Watts	24-24 VDC

*Zonal control power supplies. Control multiple tapes/zones using DMX channels.

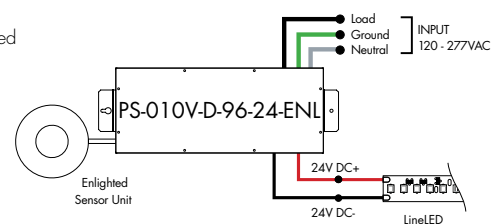
MODELS	96W	3X96
Length	14.40"	15.00"
Width	5.20"	6.62"
Depth	2.60"	4.56"



Ordering Code Enlightened Enabled Dimming Power Supplies 1% 120VAC - 277VAC

MODEL	INPUT CONTROL	ENVIRONMENT	WATTAGE	OUTPUT	FEATURE
PS-Power Supply, 120-277VAC	010V-0-10V Dimming (1%)	D-Dry	96-96 Watts	24-24 VDC	ENL-0-10V Enlightened

Model	96W
Length	14.40"
Width	5.20"
Depth	2.60"

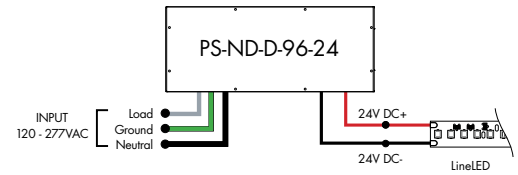


Power Supplies

See Power Supply instructions and spec sheet for wiring information. For a complete list of compatible dimmers, see Compatible Dimming Chart on the Resources page.

Ordering Code Non-Dimming Power Supply 120VAC - 277VAC

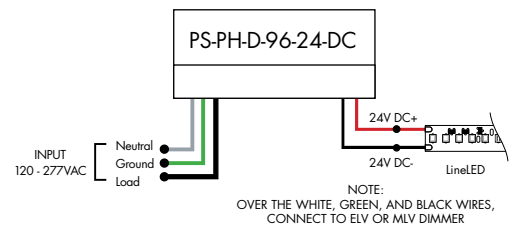
MODEL	INPUT CONTROL	ENVIRONMENT	WATTAGE	OUTPUT
PS - Power Supply, 120-277VAC	ND - Non Dimming	D - Dry	96-96 Watts	24 - 24 VDC



MODELS	96W
Length	14.40"
Width	5.20"
Depth	2.60"

Ordering Code Phase Dimming Power Supply 1% 120VAC - 277VAC

MODEL	INPUT CONTROL	ENVIRONMENT	WATTAGE	OUTPUT	OUTPUT CONTROL
PS - Power Supply, 120-277VAC	PH - Phase Dimming (Triac, ELV, MLV)	D - Dry	96 - 96 Watts	24 - 24 VDC	DC - Direct Current



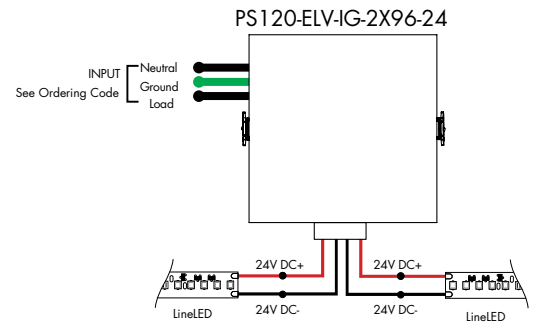
MLV/ELV/TRIAC - 1% dimming, consult dimming compatibility chart ([link](#))

MODELS	96W
Length	8.25"
Width	4.10"
Depth	1.56"

Ordering Code In-Ground Power Supplies

MODEL	INPUT CONTROL	ENVIRONMENT	WATTAGE	OUTPUT
PS120 - Power Supply, 120VAC PS240 - Power Supply, 240VAC PS277 - Power Supply, 277VAC	ELV - ELV Dimming (1%)	IG - In Ground	2X96 - 2X96 Watts	24 - 24 VDC

MODELS	2X96W
Length	8.40"
Width	8.30"
Depth	8.10"



Power Supplies

See Power Supply instructions and spec sheet for wiring information. For a complete list of compatible dimmers, see Compatible Dimming Chart on the Resources page.



Luminii is a Lutron OEM Advantage Partner

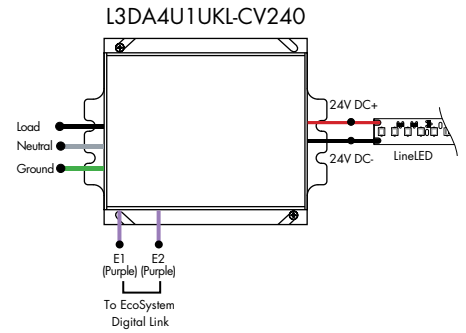
Lutron Power Supplies 1%

MODEL

L3DA4U1UKL-CV240

HiLume™ 1% EcoSystem Voltage LED driver
40W max

MODELS	L3DA4U1UKL-CV240
Length	4.98"
Width	4.00"
Depth	2.62"



Luminii is a Lutron OEM Advantage Partner

Lutron Power Supplies 0.1%

MODEL

L3D0-96W24V-U

HiLume™ 0.1% EcoSystem Voltage LED Driver with Soft-On, Fade-to-Black™
96W max

MODELS	L3D0
Length	10.50"
Width	5.50"
Depth	2.00"

