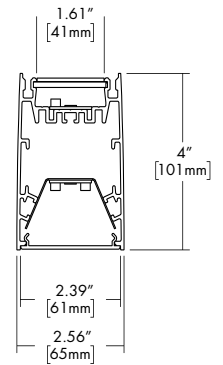
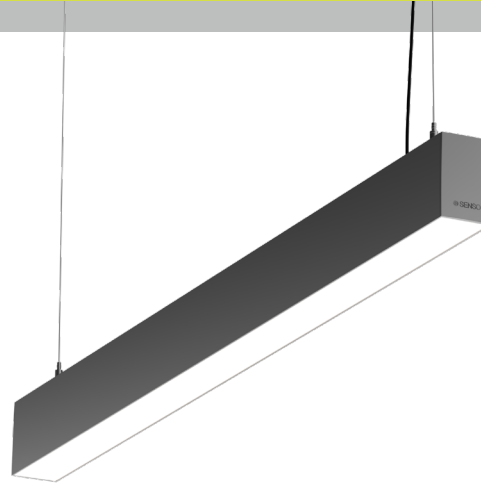


Features

- Full length seamless lenses range from 2 to 12 feet.
- Choose either UP light or DOWN light with this architecturally, built to order LED luminaire.
- Not limited to straight runs, available in L nodes, providing freedom to create seamless configurations, available in 22.5in increments.
- Integrated drivers and controls make this fixture easy to install and widely applicable.
- The subtle flared Vesta Suspended fixtures feature a symmetrical, high-performance frosted lens which illuminates the surface evenly with no shadows or dark spots.
- Five Year Warranty.



Finish Options

- White Black Silver



Technical Information

OUTPUT OPTIONS		TW04	TW06	TW08
DOWN	Lumen Output	418 lm/ft	592 lm/ft	776 lm/ft
	Average Power Consumption	2.5 W/ft	3.5 W/ft	4.8 W/ft
	Efficacy	20 lm/W	21 lm/W	21 lm/W
UP	Lumen Output	418 lm/ft	592 lm/ft	776 lm/ft
	Average Power Consumption	2.5 W/ft	3.5 W/ft	4.8 W/ft
	Efficacy	20 lm/W	21 lm/W	21 lm/W

CCT	TM-30			
	CRI	R _f	R _g	R ₉
2700K	91	90	96	59
6500K	93	87	97	73

Ordering Code

Integral Driver Example: Fixture VSD-S-6FT-TW04-00-27K65K-F-N-WH-RDS-WH-AF5-CL-010S-CSMB

Fixture

MODEL	LENGTH	OUTPUT DOWN ^{1,4}	OUTPUT UP ^{1,4}	CCT	LENS DOWN ²	LENS UP ²	FINISH
VSD-S - Vesta Dry, Suspended Up OR Down	4ft - 4 feet ⁵ 6ft - 6 feet 8ft - 8 feet 10ft - 10 feet 12ft - 12 feet XX - System ⁹	TW04 418 lm/ft (4.8 W/ft) ⁵ TW06 592 lm/ft (7.2 W/ft) TW08 776 lm/ft (9.6 W/ft) 00 No Downlight	TW04 418 lm/ft (4.8 W/ft) TW06 592 lm/ft (7.2 W/ft) TW08 776 lm/ft (9.6 W/ft) 00 No Uplight	27K65K Tunable White, 2700K-6500K	F - Frosted Lens N - No Lens ³	F - Frosted Lens N - No Lens	Standard WH - White BK - Black SL - Silver

CANOPY/ HOUSING	CANOPY FINISH	SUSPENSION TYPE/HEIGHT	SUSPENSION FINISH	DRIVER	DRIVER OPTIONS
RDS - Round Slim USQS - Unified Square Slim URDS - Unified Round Slim	Standard WH - White BK - Black SL - Silver	AF5 AC + Feed Cable, 5ft long AF8 AC + Feed Cable, 8ft long AF10 AC + Feed Cable, 10ft long	Standard CL - Feed Cable Clear WH - Feed Cable White BK - Feed Cable Black	010S-0-10V, 1% Dimming, 120/277V DALI-EldoLED, DALI protocol 2, DT-6, Log, 0.1% Dimming, 120/277V DMX-EldoLED, DMX, 0.1% Dimming, 120V/277V	NA - None CSMB - Casambi ⁶ AWNDR - Athena ⁸ MNOD - PIR Motion Sensor, Occupancy, Daylight Harvesting ⁷

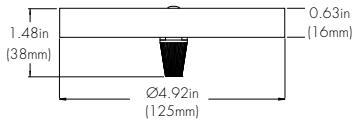
1 - Select only Down or Up output. Other must be 00.
2 - Select only Down or Up Lens. Other must be N.
3 - When Down Lens is N it will receive Filler plate.
4 - Tunable White output numbers are at representative of 4000K.

5 - TW04 Output is not available with 4ft Length.
6 - CSMB with 010S/DALI drivers only.
7 - MNOD contact manufacturer for build assistance - (MOD Only).
8 - AWNR contact manufacturer for build assistance - (MOD Only).
9 - Customizable configurations available, contact factory (MOD only).

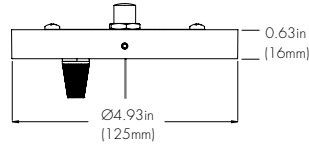
CONTACT FACTORY FOR MORE OPTIONS.

Canopy

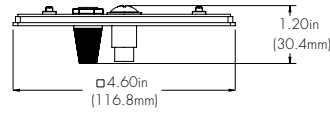
RDS Round Slim Canopy



URDS Unified Round Slim



USQS Unified Square Slim



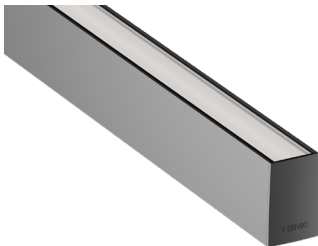
Lens Down

F Frosted Lens



Lens Up

F Frosted Lens

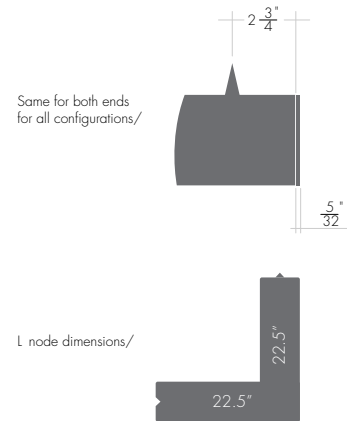


Cut Lengths

CODE	FIXTURE LENGTH LONGUEUR	Feet	2	4	6	8	10	12
A	22.5"							
B (4)	44.5"							
C (6)	66.5"							
D (8)	88.5"							
E (10)	110.5"							
F (12)	132.5"							

Legend

- ▲ : Suspension Point
- F(): Feed Point
- D : Direct
- DI : Direct / Indirect
- SS : Separate Switching



*1 Not including end-caps. End-caps are an additional 5/32"

For custom lengths please call customer service. Cover plates will be added to each end to avoid dark spaces on lense.

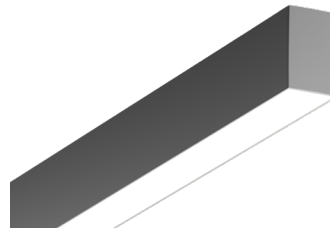
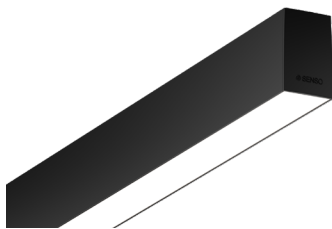
Sensor adds 3.75" to standard vesta length

Standard Finish

BK
Black

WH
White

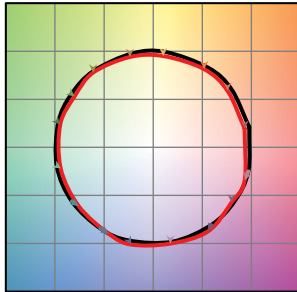
SL
Silver



TM-30

Tunable White 2700K

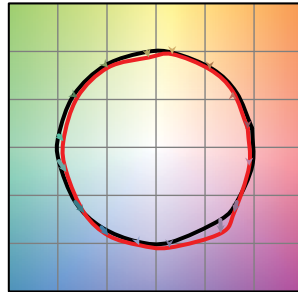
COLOR VECTOR GRAPHIC



— Reference Source — Test Source

Tunable White 6500K

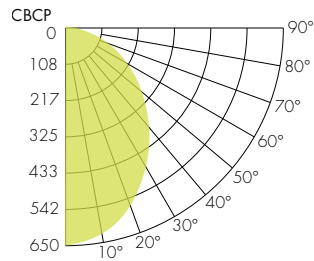
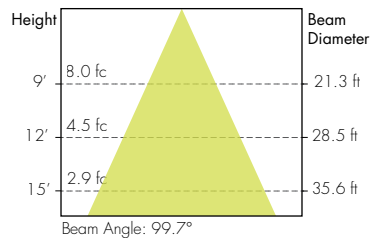
COLOR VECTOR GRAPHIC



— Reference Source — Test Source

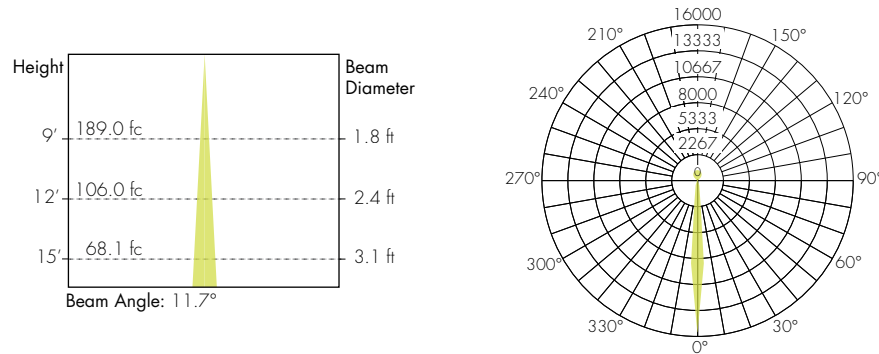
Photometry

Tunable White Down

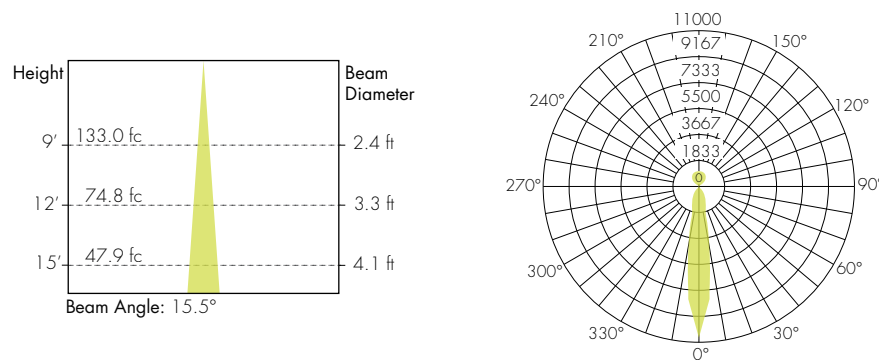


Photometry

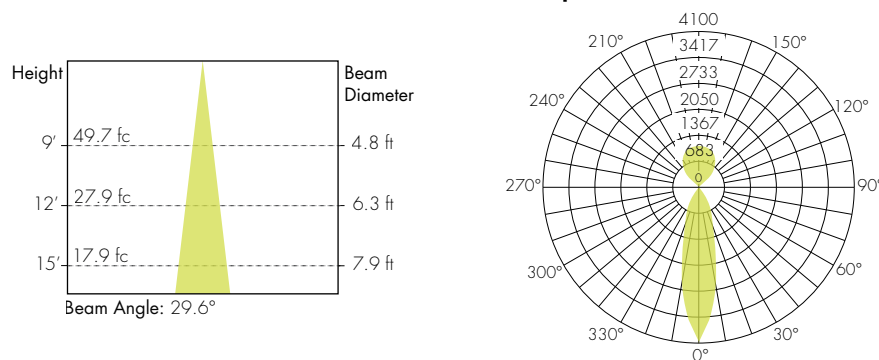
10° Faceted Reflector Down/ 60° Faceted Reflector Up



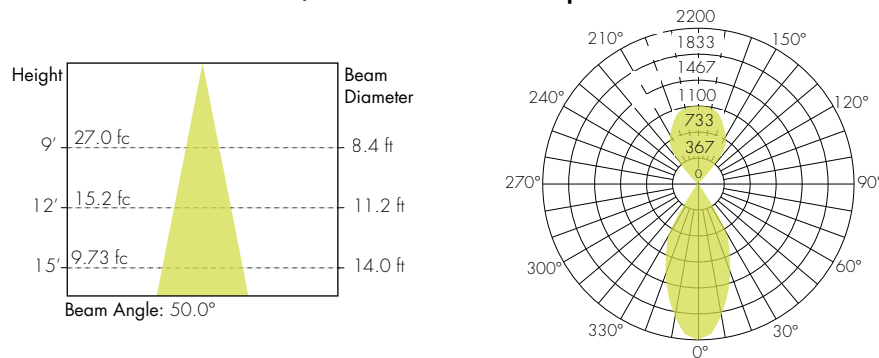
18° Faceted Reflector Down/ 60° Faceted Reflector Up



30° Faceted Reflector Down/ 60° Faceted Reflector Up

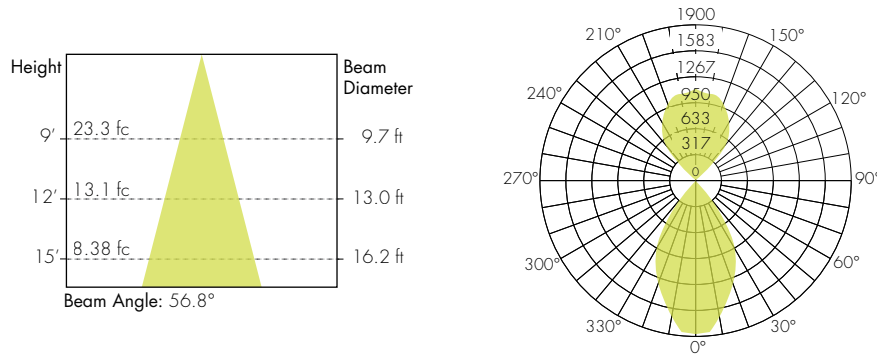


45° Faceted Reflector Down/ 60° Faceted Reflector Up

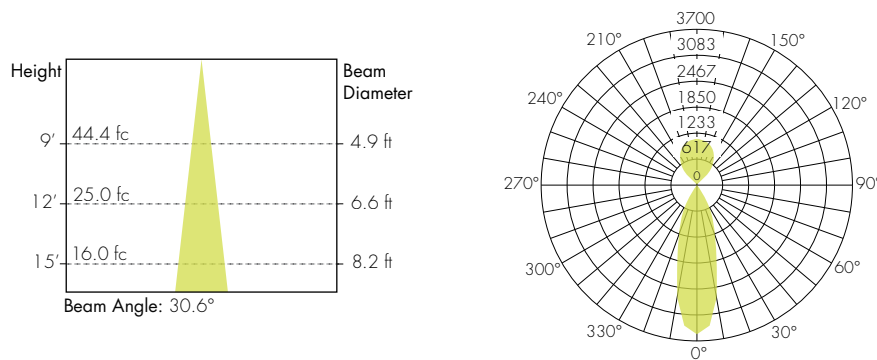


Photometry

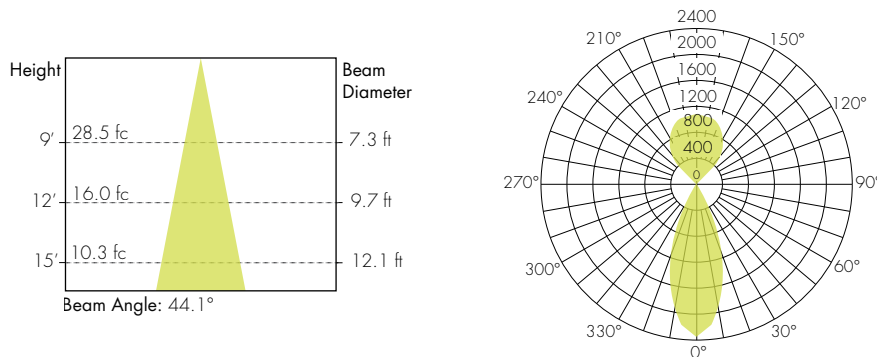
60° Faceted Reflector Down/ 60° Faceted Reflector Up



30° Smooth Reflector Down/ 60° Faceted Reflector Up



45° Smooth Reflector Down/ 60° Faceted Reflector Up



80° Smooth Reflector Down/ 60° Faceted Reflector Up

