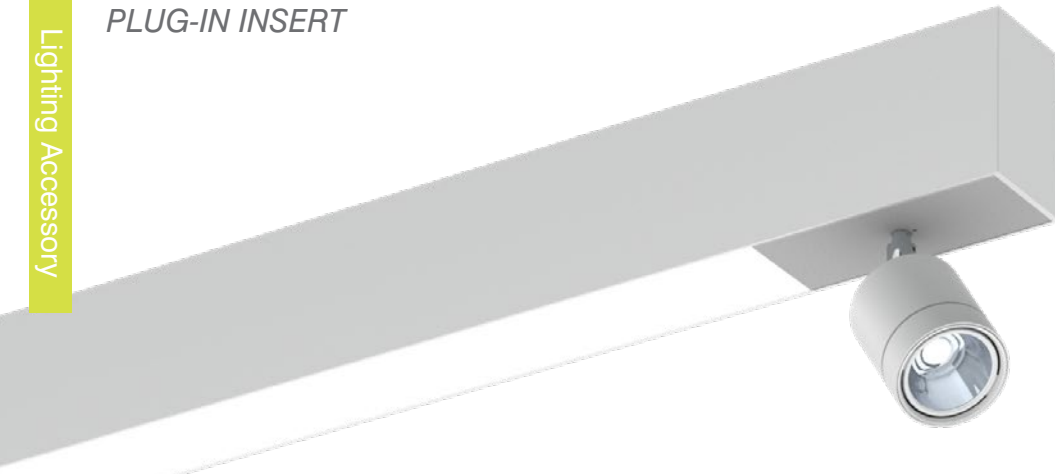


VESTA MONOPOINT

PLUG-IN INSERT



(Shown in Vesta 1)

Vesta Monopoint Plug-in Inserts – Our Vesta Accessories add customizability to the already versatile Vesta Family. Monopoint Plugin offers an articulating, short-stem spotlight combined with the wide spread of the Vesta. Excels in display based spaces like galleries, industrial and retail. The spotlights can be switched separately enabling fully customizable lighting and are configurable with all Vesta Accessories.

Ordering Code

371

1

2

3

4

5

6

7

Product Specifications

SAMPLE : 371 - A90 - 710 - 27 - 07 - 01 - STD

Model - 1	CRI - 2	Optic - 3	CCT - 4	Lumen - 5	Finish - 6	Driver - 7	Dim Level
371 · Monopoint Plug-in	A90 · 90 CRI	717 · 17° 724 · 24° 760 · 60°	27 · 2700K 30 · 3000K 35 · 3500K 40 · 4000K	07 · 700 (6W) 10 · 1000 (9W)	01 · White 02 · Black 08 · Silver XX · Custom	STD/LCS · 0 - 10 Volt dim option incl.	1%

*1 120V only

Project : _____
 Quantity : _____
 Type : _____
 Notes : _____

VESTA MONOPOINT

PLUG-IN INSERT

Light Engine

- Output:** up to 1000lm
- High Efficacy:** up to 150 lumen/Watt
- Colour Options (CCT):** 2700K, 3000K, 3500K, 4000K
- Colour Consistency:** Range within a 3-MacAdam Ellipse
- Colour rendering (CRI):** 90 CRI & 50+ R9 Value

Driver

- Dimming:** 1% dimming standard with 0.1% option
- Ripple:** Industry leading Low ripple
- Efficiency:** Power Factor >0.9
Efficiency over 85%
Class 2 output for safety

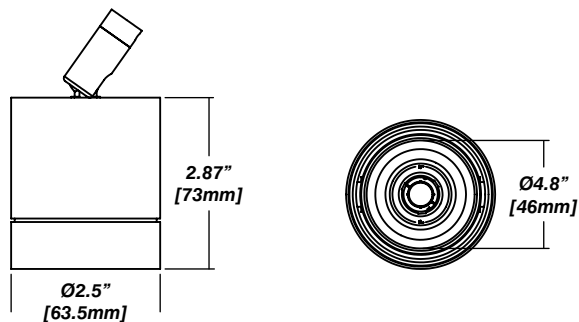
Installation

- Pre-installed connection points
- One step electrical connection to Vesta
- Fully configurable with all Vesta and Vesta Accessories
- 360° of rotation and 90° of tilt

Construction

- Machined aluminum construction
- Powder coated to perfectly match the Vesta housing
- Made in Canada

Dimensions



Configurations

- Some configurations include:

Single Insert with Vesta Downlight



Multiple Inserts with Vesta Uplight



Mix and Match with any Vesta Accessory

