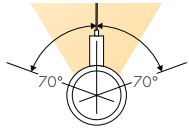
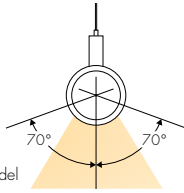


**Features**

- Extruded aluminum linear suspension system.
- 24VDC Class 2 fixtures made to order up to 232"
- Class 2 listed for damp locations
- Dot free even illumination with frosted lens
- Proprietary strong bond solder method handles up to 50 lbs of pull force on wire leads and connectors
- High Color Quality options offer premium quality and vibrant colors with R9 values up to 97
- High Efficacy options offer best in class output and efficacy with over 540 lm/ft and up to 76 lm/W
- Average Life (L70): 50,000hrs
- 7 year warranty



Fixture head rotates up to 140°, in either up or down direction. Reference ordering code for proper model



**Finish Options** (see page 2 for additional information)

- Base  Silver Anodized
- 
- Powder Coat  Black  Bronze  White
- 
- Premium  Matte Black  Warm Nickel  Aged Brass  Polished Gold  Chrome



**Technical Information**

MODEL	High Color Quality			High Efficacy				High Efficacy
OUTPUT OPTIONS	72SO	72HO	72VHO	HE48LO	HE48SO	HE48MO	HE48HO	HE64VHO
<b>Lumens Output</b> (3000K) (with a Clear Lens)	148 lm/ft	240 lm/ft	292 lm/ft	144 lm/ft	200 lm/ft	266 lm/ft	427 lm/ft	541 lm/ft
<b>Average Power Consumption</b> (for a 4' section)	2.8 W/ft	4.8 W/ft	6 W/ft	1.9 W/ft	2.8 W/ft	3.5 W/ft	6.5 W/ft	7.5 W/ft
<b>Efficacy</b>	53 lm/W	50 lm/W	49 lm/W	76 lm/W	71 lm/W	76 lm/W	66 lm/W	72 lm/W
<b>Max Run Length</b> (in series)	40 ft	31 ft	22 ft	48 ft	42 ft	33 ft	21 ft	15 ft
<b>Ambient Operating Temperature Range*</b>	-5°F - 125°F (-20°C - 50°C)			-5°F - 125°F (-20°C - 50°C)				-5°F - 115°F (-20°C - 45°C)

\*Ambient Operating Temperature Range to maintain L70 of 50k+ hours in normal mounting conditions for the fixture. Exceeding Ambient Operating Temperature Range may result in decreased life/output. Consult Technical Support for specific inquiries.

**High Color Quality (72)**

CCT	Multiplier (reference - 3000K)	TM-30			
		CRI	R <sub>f</sub>	R <sub>g</sub>	R <sub>9</sub>
1900K	0.55	96	94	97	90
2200K	0.70	96	95	101	89
2400K	0.72	98	97	101	91
2700K	0.74	97	96	101	91
3000K	1.00	97	95	104	97
3500K	1.02	97	94	105	97
4100K	1.07	97	90	99	97

**High Efficacy (HE48/HE64)**

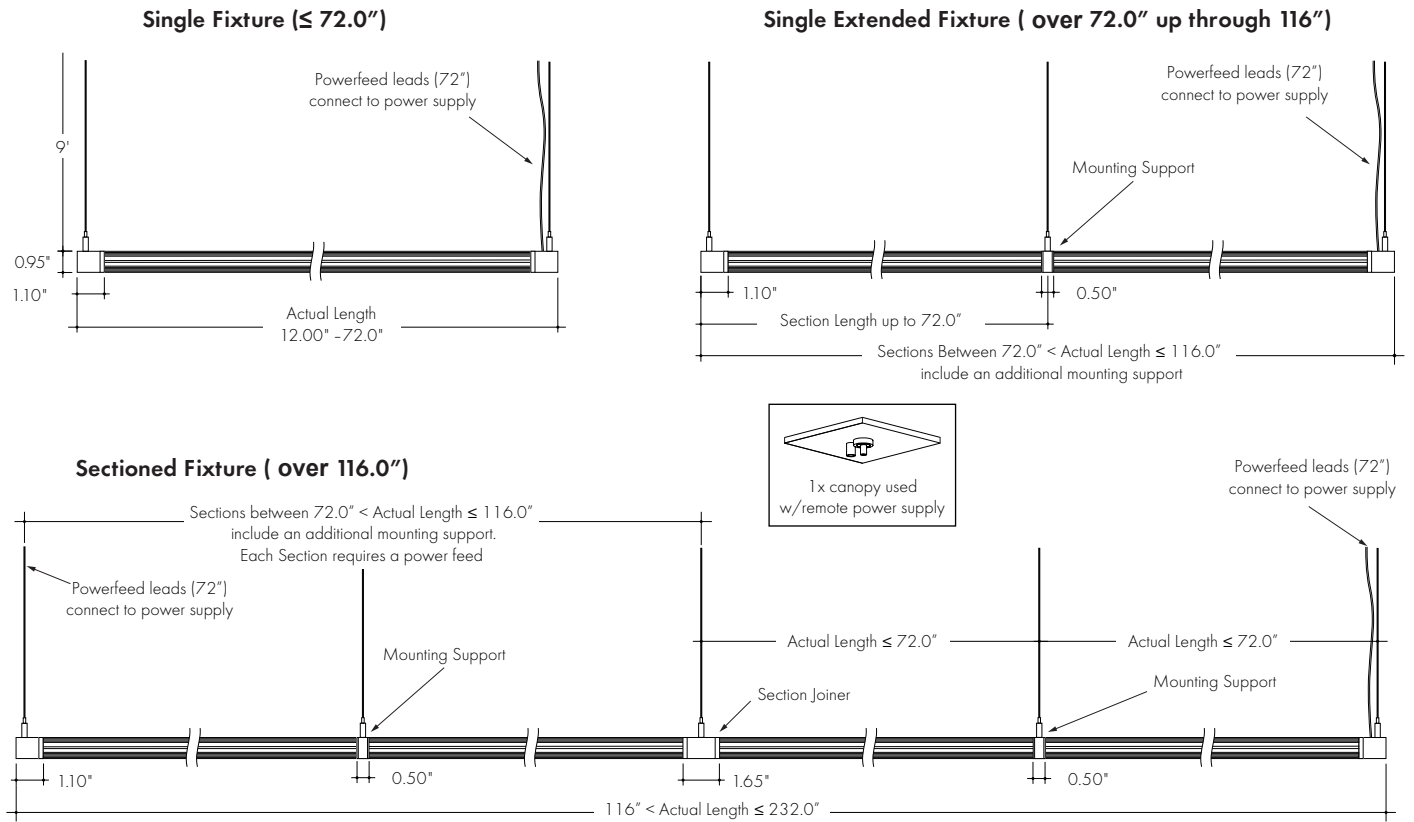
CCT	Multiplier (reference - 3000K)	TM-30			
		CRI	R <sub>f</sub>	R <sub>g</sub>	R <sub>9</sub>
2200K	0.73	92	91	97	42
2500K	0.81	93	96	96	62
2700K	0.94	92	90	99	58
3000K	1.00	92	89	99	57
3500K	1.02	92	89	99	60
4000K	1.02	92	86	94	71

**Ordering Code**

MODEL	LENGTH <sup>1</sup>	OUTPUT <sup>2</sup>	CCT	LENS	LIGHT DIRECTION	FINISH <sup>3,4</sup>
TEA - Teava Suspension	12" - 232" 1" increments	72SO - Standard 72HO - High 72VHO - Very High	19K - 1900K 22K - 2200K 24K - 2400K 27K - 2700K 30K - 3000K 35K - 3500K 41K - 4100K	C - Clear F - Frosted	U - Up D - Down	<b>BASE</b> SA - Silver Anodized  <b>POWDER COAT</b> BK - Black BZ - Bronze WH - White  <b>PREMIUM</b> MBK - Matte Black WN - Warm Nickel AB - Aged Brass PG - Polished Gold <sup>5</sup> CH - Chrome <sup>5</sup>
	12" - 232" 2" increments	HE48LO - low HE48SO - Standard HE48MO - Medium HE48HO - High HE64VHO - Very High	22K - 2200K 25K - 2500K 27K - 2700K 30K - 3000K 35K - 3500K 40K - 4000K			

1 - Custom lengths and increments are available, please consult Inside Sales with specific request.  
 2 - All High Efficacy options can be used to comply with Title 24 JA8. High Color Quality options can be used to comply with Title 24 JA8 depending on Output, CCT, and lens selections. See multiplier charts to calculate specific efficacies.  
 3 - Non Base finishes may have extended lead times. Custom RALs are available, please consult Inside Sales with specific request.  
 4 - White canopy included with all finishes except Black and Matte Black, which include a Black canopy.  
 5 - Polished Gold and Chrome finishes have a maximum fixture length of 96".

**Product Dimensions**



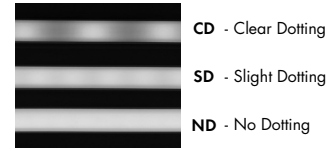
**Finish Options**

- Finish options are available in a wide variety, allowing for complete customization of style and aesthetic.
- Non Base finishes may have extended lead times.
- White canopy included with all finishes except Black and Matte Black, which include a Black canopy.
- Polished Gold and Chrome finishes have a maximum fixture length of 96".
- Custom RALs are available, please consult Inside Sales with specific request.

<p><b>Silver Anodized Base</b></p>	<p><b>Black Powder Coat</b></p>	<p><b>Bronze Powder Coat</b></p>	<p><b>White Powder Coat</b></p>	<p><b>Matte Black Premium</b></p>
<p>Silver Anodized is a soft silver with a clear finish.</p>	<p>Black is a true deep black with a glossy finish.</p>	<p>Bronze is a rich, dark brown with a satin finish.</p>	<p>White is a polar bright white and field paintable.</p>	<p>Matte Black is a dark, pitch-black with a soft flat finish.</p>
<p><b>Warm Nickel Premium</b></p>	<p><b>Aged Brass Premium</b></p>	<p><b>Polished Gold Premium</b></p>	<p><b>Chrome Premium</b></p>	
<p>Warm Nickel is a soft, silvery smoke with warm tones and a satin finish.</p>	<p>Aged Brass is a deep brown shade with slightly golden undertones.</p>	<p>Polished Gold is bright and radiant for a brilliant finish.</p>	<p>Chrome is a highly reflective silver polish.</p>	

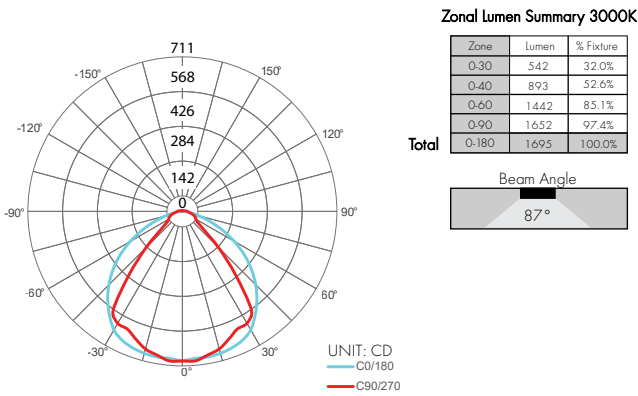
Light Transmission and Dotting

Output Options	Lens							
	Clear				Frosted			
Dimming Level	100%	50%	10%	1%	100%	50%	10%	1%
72SO	CD	CD	CD	CD	ND	ND	ND	ND
72HO	CD	CD	CD	CD	ND	ND	ND	ND
72VHO	CD	CD	CD	CD	ND	ND	ND	ND
HE48LO	CD	CD	CD	CD	ND	ND	ND	ND
HE48SO	CD	CD	CD	CD	ND	ND	ND	ND
HE48MO	CD	CD	CD	CD	ND	ND	ND	ND
HE48HO	CD	CD	CD	CD	ND	ND	ND	ND
HE64VHO	CD	CD	CD	CD	ND	ND	ND	ND
Transmission Percentage	100%				69%			

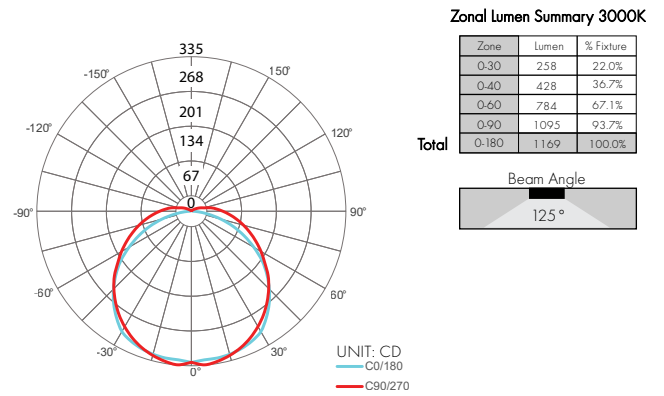


Photometry

TEA-48-72VHO-30K-C  
Teava Suspended, VHO, 3000K, Clear Lens



TEA-48-72VHO-30K-F  
Teava Suspended, VHO, 3000K, Frosted Lens



**Power Consumption**

Tested at Full Power with PS-UNI Series power supplies.

Standard Nominal Lengths offered provide minimal shadowing. For alternate lengths, please consult Inside Sales with specific request.

**High Color Quality (72)**

Nominal Length (in)	Actual Length	Watts			Nominal Length (in)	Actual Length	Watts			Nominal Length (in)	Actual Length	Watts		
		SO	HO	VHO			SO	HO	VHO			SO	HO	VHO
<b>12</b>	11 1/16	2.7	4.4	6.2	<b>47</b>	46 15/16	10.0	16.7	22.1	<b>82</b>	81 11/16	17.9	28.9	37.6
<b>13</b>	12 3/16	2.7	4.4	6.2	<b>48</b>	—	—	—	—	<b>83</b>	82 13/16	18.1	29.2	38.0
<b>14</b>	13 6/16	2.7	4.4	6.2	<b>49</b>	48 1/16	10.2	17.1	22.6	<b>84</b>	84	18.3	29.5	38.4
<b>15</b>	14 8/16	2.7	4.4	6.2	<b>50</b>	49 4/16	10.5	17.4	23.1	<b>85</b>	—	—	—	—
<b>16</b>	15 11/16	2.9	4.8	6.7	<b>51</b>	50 6/16	10.7	17.8	23.5	<b>86</b>	85 2/16	18.5	29.8	38.8
<b>17</b>	16 13/16	3.1	5.2	7.3	<b>52</b>	51 9/16	11.1	18.6	24.4	<b>87</b>	86 5/16	18.7	30.1	39.2
<b>18</b>	18	3.4	5.6	7.8	<b>53</b>	52 11/16	11.4	18.9	24.9	<b>88</b>	87 7/16	19.2	30.8	40.0
<b>19</b>	—	—	—	—	<b>54</b>	53 14/16	11.6	19.3	25.3	<b>89</b>	88 10/16	19.4	31.1	40.4
<b>20</b>	19 2/16	3.6	6.0	8.3	<b>55</b>	—	—	—	—	<b>90</b>	89 12/16	19.6	31.5	40.8
<b>21</b>	20 5/16	3.9	6.5	8.9	<b>56</b>	55 1/16	11.9	19.7	25.7	<b>91</b>	90 15/16	19.9	31.8	41.1
<b>22</b>	21 7/16	4.4	7.3	9.9	<b>57</b>	56 3/16	12.1	20.1	26.1	<b>92</b>	—	—	—	—
<b>23</b>	22 10/16	4.6	7.7	10.5	<b>58</b>	57 6/16	12.3	20.5	26.6	<b>93</b>	92 1/16	20.1	32.2	41.5
<b>24</b>	23 12/16	4.8	8.1	11.0	<b>59</b>	58 8/16	12.8	21.3	27.4	<b>94</b>	93 4/16	20.4	32.5	41.9
<b>25</b>	24 15/16	5.1	8.6	11.5	<b>60</b>	59 11/16	13.1	21.6	27.8	<b>95</b>	94 6/16	20.6	32.9	42.3
<b>26</b>	—	—	—	—	<b>61</b>	60 13/16	13.3	22.0	28.3	<b>96</b>	95 9/16	21.1	33.6	43.1
<b>27</b>	26 1/16	5.3	9.0	12.1	<b>62</b>	62	13.6	22.4	28.7	<b>97</b>	96 12/16	21.3	33.9	43.4
<b>28</b>	27 4/16	5.6	9.4	12.6	<b>63</b>	—	—	—	—	<b>98</b>	97 14/16	21.5	34.2	43.8
<b>29</b>	28 6/16	5.8	9.8	13.1	<b>64</b>	63 2/16	13.8	22.8	29.1	<b>99</b>	—	—	—	—
<b>30</b>	29 9/16	6.2	10.5	14.1	<b>65</b>	64 5/16	14.0	23.1	29.6	<b>100</b>	99 1/16	21.8	34.6	44.2
<b>31</b>	30 11/16	6.5	10.9	14.5	<b>66</b>	65 7/16	14.5	23.8	30.5	<b>101</b>	100 3/16	22.0	34.9	44.6
<b>32</b>	31 14/16	6.7	11.2	15.0	<b>67</b>	66 10/16	14.7	24.1	31.0	<b>102</b>	101 6/16	22.2	35.2	45.0
<b>33</b>	—	—	—	—	<b>68</b>	67 12/16	14.9	24.4	31.4	<b>103</b>	102 8/16	22.5	35.9	45.9
<b>34</b>	33 1/16	6.9	11.6	15.5	<b>69</b>	68 15/16	15.1	24.7	31.9	<b>104</b>	103 11/16	22.7	36.2	46.3
<b>35</b>	34 3/16	7.1	12.0	16.0	<b>70</b>	—	—	—	—	<b>105</b>	104 13/16	22.9	36.5	46.7
<b>36</b>	35 6/16	7.3	12.3	16.5	<b>71</b>	70 1/16	15.3	25.0	32.4	<b>106</b>	106	23.1	36.8	47.1
<b>37</b>	36 8/16	7.8	13.1	17.4	<b>72</b>	71 4/16	15.5	25.4	32.8	<b>107</b>	—	—	—	—
<b>38</b>	37 11/16	8.0	13.4	17.9	<b>73</b>	72 6/16	15.8	25.7	33.3	<b>108</b>	107 2/16	23.3	37.1	47.5
<b>39</b>	38 13/16	8.2	13.8	18.4	<b>74</b>	73 9/16	16.2	26.3	34.2	<b>109</b>	108 5/16	23.5	37.4	48.0
<b>40</b>	40	8.4	14.2	18.9	<b>75</b>	74 11/16	16.4	26.6	34.7	<b>110</b>	109 7/16	23.9	38.1	48.8
<b>41</b>	—	—	—	—	<b>76</b>	75 14/16	16.6	26.9	35.1	<b>111</b>	110 10/16	24.1	38.4	49.2
<b>42</b>	41 2/16	8.7	14.5	19.3	<b>77</b>	—	—	—	—	<b>112</b>	111 12/16	24.3	38.7	49.6
<b>43</b>	42 5/16	8.9	14.9	19.8	<b>78</b>	77 1/16	16.8	27.3	35.5	<b>113</b>	112 15/16	24.5	39.0	50.0
<b>44</b>	43 7/16	9.3	15.6	20.7	<b>79</b>	78 3/16	17.1	27.6	35.9	<b>114</b>	—	—	—	—
<b>45</b>	44 10/16	9.6	16.0	21.2	<b>80</b>	79 6/16	17.3	27.9	36.3	<b>115</b>	114 1/16	24.8	39.3	50.4
<b>46</b>	45 12/16	9.8	16.4	21.7	<b>81</b>	80 8/16	17.7	28.5	37.2	<b>116</b>	115 4/16	25.0	39.6	50.8

**Power Consumption**

Tested at Full Power with PS-UNI Series power supplies.

Standard Nominal Lengths offered provide minimal shadowing. For alternate lengths, please consult Inside Sales with specific request.

**High Efficacy (HE48)**

Nominal Length (in)	Actual Length	Watts				Nominal Length (in)	Actual Length	Watts				Nominal Length (in)	Actual Length	Watts			
		LO	SO	MO	HO			LO	SO	MO	HO			LO	SO	MO	HO
<b>12</b>	10 13/16	1.7	2.5	3.5	5.7	<b>47</b>	46 4/16	6.7	10.2	12.6	23.9	<b>82</b>	81 11/16	12.2	19.4	23.3	41.4
<b>13</b>	12 12/16	1.7	2.5	3.5	5.7	<b>48</b>	-	-	-	-	-	<b>83</b>	-	-	-	-	-
<b>14</b>	-	-	-	-	-	<b>49</b>	48 3/16	6.9	10.7	13.3	24.7	<b>84</b>	83 10/16	12.5	19.9	23.9	42.2
<b>15</b>	14 12/16	1.7	2.5	3.5	5.7	<b>50</b>	-	-	-	-	-	<b>85</b>	-	-	-	-	-
<b>16</b>	-	-	-	-	-	<b>51</b>	50 3/16	7.1	11.2	13.9	25.4	<b>86</b>	85 10/16	12.8	20.3	24.5	43.1
<b>17</b>	16 11/16	2.0	3.0	4.0	7.2	<b>52</b>	-	-	-	-	-	<b>87</b>	-	-	-	-	-
<b>18</b>	-	-	-	-	-	<b>53</b>	52 2/16	7.4	11.7	14.5	26.3	<b>88</b>	87 9/16	13.1	20.8	25.1	44.1
<b>19</b>	18 11/16	2.4	3.5	4.6	8.7	<b>54</b>	-	-	-	-	-	<b>89</b>	-	-	-	-	-
<b>20</b>	-	-	-	-	-	<b>55</b>	54 2/16	7.7	12.3	15.1	27.4	<b>90</b>	89 9/16	13.4	21.3	25.7	45.0
<b>21</b>	20 10/16	2.7	3.9	5.2	10.2	<b>56</b>	-	-	-	-	-	<b>91</b>	-	-	-	-	-
<b>22</b>	-	-	-	-	-	<b>57</b>	56 1/16	8.0	12.9	15.7	28.5	<b>92</b>	91 8/16	13.7	21.7	26.3	46.0
<b>23</b>	22 10/16	3.0	4.4	5.8	11.7	<b>58</b>	-	-	-	-	-	<b>93</b>	-	-	-	-	-
<b>24</b>	-	-	-	-	-	<b>59</b>	58 1/16	8.4	13.5	16.4	29.5	<b>94</b>	93 8/16	14.0	22.1	26.9	47.0
<b>25</b>	24 9/16	3.4	4.9	6.4	13.2	<b>60</b>	-	-	-	-	-	<b>95</b>	-	-	-	-	-
<b>26</b>	-	-	-	-	-	<b>61</b>	60	8.7	14.0	17.0	30.6	<b>96</b>	95 7/16	14.3	22.6	27.5	47.9
<b>27</b>	26 9/16	3.7	5.4	7.0	14.7	<b>62</b>	62	9.0	14.6	17.6	31.6	<b>97</b>	-	-	-	-	-
<b>28</b>	-	-	-	-	-	<b>63</b>	-	-	-	-	-	<b>98</b>	97 7/16	14.4	22.8	27.8	48.4
<b>29</b>	28 8/16	4.1	5.9	7.5	15.8	<b>64</b>	63 15/16	9.4	15.2	18.2	32.6	<b>99</b>	-	-	-	-	-
<b>30</b>	-	-	-	-	-	<b>65</b>	-	-	-	-	-	<b>100</b>	99 6/16	14.7	23.3	28.5	49.4
<b>31</b>	30 8/16	4.4	6.4	8.1	16.8	<b>66</b>	65 15/16	9.7	15.6	18.7	33.7	<b>101</b>	-	-	-	-	-
<b>32</b>	-	-	-	-	-	<b>67</b>	-	-	-	-	-	<b>102</b>	101 6/16	15.0	23.7	29.0	50.4
<b>33</b>	32 7/16	4.8	6.9	8.7	17.9	<b>68</b>	67 14/16	10.0	16.1	19.2	34.7	<b>103</b>	-	-	-	-	-
<b>34</b>	-	-	-	-	-	<b>69</b>	-	-	-	-	-	<b>104</b>	103 5/16	15.3	24.1	29.6	51.3
<b>35</b>	34 7/16	5.0	7.2	9.0	18.5	<b>70</b>	69 14/16	10.4	16.5	19.8	35.7	<b>105</b>	-	-	-	-	-
<b>36</b>	-	-	-	-	-	<b>71</b>	-	-	-	-	-	<b>106</b>	105 5/16	15.6	24.6	30.2	52.3
<b>37</b>	36 6/16	5.4	7.7	9.6	19.5	<b>72</b>	71 13/16	10.7	17.0	20.3	36.7	<b>107</b>	-	-	-	-	-
<b>38</b>	-	-	-	-	-	<b>73</b>	-	-	-	-	-	<b>108</b>	107 4/16	15.8	25.0	30.7	53.2
<b>39</b>	38 6/16	5.7	8.2	10.2	20.6	<b>74</b>	73 13/16	11.0	17.4	20.8	37.7	<b>109</b>	-	-	-	-	-
<b>40</b>	-	-	-	-	-	<b>75</b>	-	-	-	-	-	<b>110</b>	109 4/16	16.1	25.5	31.3	54.2
<b>41</b>	40 5/16	6.0	8.7	10.8	21.5	<b>76</b>	75 12/16	11.3	17.9	21.4	38.7	<b>111</b>	-	-	-	-	-
<b>42</b>	-	-	-	-	-	<b>77</b>	-	-	-	-	-	<b>112</b>	111 3/16	16.4	25.9	31.9	55.2
<b>43</b>	42 5/16	6.2	9.2	11.4	22.3	<b>78</b>	77 12/16	11.6	18.4	22.0	39.6	<b>113</b>	-	-	-	-	-
<b>44</b>	-	-	-	-	-	<b>79</b>	-	-	-	-	-	<b>114</b>	113 3/16	16.7	26.4	32.5	56.1
<b>45</b>	44 4/16	6.4	9.7	12.0	23.1	<b>80</b>	79 11/16	11.9	18.9	22.7	40.5	<b>115</b>	-	-	-	-	-
<b>46</b>	-	-	-	-	-	<b>81</b>	-	-	-	-	-	<b>116</b>	115 2/16	17.0	26.8	33.1	57.0

## Power Consumption

Tested at Full Power with PS-UNI Series power supplies.

Standard Nominal Lengths offered provide minimal shadowing. For alternate lengths, please consult Inside Sales with specific request.

### High Efficacy (HE64)

Nominal Length (in)	Actual Length	Watts	Nominal Length (in)	Actual Length	Watts	Nominal Length (in)	Actual Length	Watts
		VHO			VHO			VHO
<b>12</b>	10 8/16	7.6	<b>47</b>	46 13/16	27.6	<b>82</b>	81 11/16	49.8
<b>13</b>	12	7.6	<b>48</b>	–	–	<b>83</b>	–	–
<b>14</b>	13 8/16	7.6	<b>49</b>	48 6/16	28.2	<b>84</b>	83 3/16	50.4
<b>15</b>	–	–	<b>50</b>	49 14/16	29.5	<b>85</b>	84 11/16	51.7
<b>16</b>	15 1/16	7.6	<b>51</b>	–	–	<b>86</b>	–	–
<b>17</b>	16 9/16	8.9	<b>52</b>	51 6/16	30.1	<b>87</b>	86 3/16	52.3
<b>18</b>	–	–	<b>53</b>	52 14/16	31.4	<b>88</b>	87 12/16	53.6
<b>19</b>	18 1/16	9.5	<b>54</b>	–	–	<b>89</b>	–	–
<b>20</b>	19 9/16	10.7	<b>55</b>	54 7/16	32.0	<b>90</b>	89 4/16	54.2
<b>21</b>	–	–	<b>56</b>	55 15/16	33.3	<b>91</b>	90 12/16	55.5
<b>22</b>	21 2/16	11.4	<b>57</b>	–	–	<b>92</b>	–	–
<b>23</b>	22 10/16	12.6	<b>58</b>	57 7/16	34.0	<b>93</b>	92 4/16	56.2
<b>24</b>	–	–	<b>59</b>	58 15/16	35.2	<b>94</b>	93 12/16	57.5
<b>25</b>	24 2/16	13.2	<b>60</b>	–	–	<b>95</b>	–	–
<b>26</b>	25 10/16	14.5	<b>61</b>	60 7/16	36.5	<b>96</b>	95 5/16	58.2
<b>27</b>	–	–	<b>62</b>	62	37.2	<b>97</b>	96 13/16	59.5
<b>28</b>	27 2/16	15.1	<b>63</b>	–	–	<b>98</b>	–	–
<b>29</b>	28 11/16	16.4	<b>64</b>	63 8/16	38.4	<b>99</b>	98 5/16	60.1
<b>30</b>	–	–	<b>65</b>	–	–	<b>100</b>	99 13/16	61.4
<b>31</b>	30 3/16	17.0	<b>66</b>	65	39.1	<b>101</b>	–	–
<b>32</b>	31 11/16	18.2	<b>67</b>	66 8/16	40.4	<b>102</b>	101 6/16	62.0
<b>33</b>	–	–	<b>68</b>	–	–	<b>103</b>	102 14/16	63.2
<b>34</b>	33 3/16	18.9	<b>69</b>	68 1/16	41.0	<b>104</b>	–	–
<b>35</b>	34 12/16	20.1	<b>70</b>	69 9/16	42.3	<b>105</b>	104 6/16	63.8
<b>36</b>	–	–	<b>71</b>	–	–	<b>106</b>	105 14/16	65.0
<b>37</b>	36 4/16	20.7	<b>72</b>	71 1/16	42.9	<b>107</b>	–	–
<b>38</b>	37 12/16	22.0	<b>73</b>	72 9/16	44.2	<b>108</b>	107 7/16	65.6
<b>39</b>	–	–	<b>74</b>	–	–	<b>109</b>	108 15/16	66.8
<b>40</b>	39 4/16	22.6	<b>75</b>	74 2/16	44.9	<b>110</b>	–	–
<b>41</b>	40 13/16	23.9	<b>76</b>	75 10/16	46.1	<b>111</b>	110 7/16	67.4
<b>42</b>	–	–	<b>77</b>	–	–	<b>112</b>	111 15/16	68.5
<b>43</b>	42 5/16	24.5	<b>78</b>	77 2/16	46.7	<b>113</b>	–	–
<b>44</b>	43 13/16	25.7	<b>79</b>	78 10/16	48.0	<b>114</b>	113 7/16	69.6
<b>45</b>	–	–	<b>80</b>	–	–	<b>115</b>	115	70.1
<b>46</b>	45 5/16	26.4	<b>81</b>	80 2/16	48.6	<b>116</b>	–	–

## Voltage Drop Calculator

The below chart assumes nominal voltage of 24 Volts and a Voltage Drop Allowance of 3% through the wire

Wattage [W]	Wire Length From Power Supply to Start of Run [ft]						
	12 AWG	14 AWG	16 AWG	18 AWG	20 AWG	22 AWG	24 AWG
<b>5</b>	1088.2	684.4	430.3	270.6	170.2	107.1	67.3
<b>10</b>	544.1	342.2	215.1	135.3	85.1	53.5	33.7
<b>15</b>	362.7	228.1	143.4	90.2	56.7	35.7	22.4
<b>20</b>	272.0	171.1	107.6	67.7	42.6	26.8	16.8
<b>25</b>	217.6	136.9	86.1	54.1	34.0	21.4	13.5
<b>30</b>	181.4	114.1	71.7	45.1	28.4	17.8	11.2
<b>35</b>	155.5	97.8	61.5	38.7	24.3	15.3	9.6
<b>40</b>	136.0	85.5	53.8	33.8	21.3	13.4	8.4
<b>45</b>	120.9	76.0	47.8	30.1	18.9	11.9	7.5
<b>50</b>	108.8	68.4	43.0	27.1	17.0	10.7	6.7
<b>55</b>	98.9	62.2	39.1	24.6	15.5	9.7	6.1
<b>60</b>	90.7	57.0	35.9	22.6	14.2	8.9	5.6
<b>65</b>	83.7	52.6	33.1	20.8	13.1	8.2	5.2
<b>70</b>	77.7	48.9	30.7	19.3	12.2	7.6	4.8
<b>75</b>	72.5	45.6	28.7	18.0	11.3	7.1	4.5
<b>80</b>	68.0	42.8	26.9	16.9	10.6	6.7	4.2
<b>85</b>	64.0	40.3	25.3	15.9	10.0	6.3	4.0
<b>90</b>	60.5	38.0	23.9	15.0	9.5	5.9	3.7
<b>96</b>	56.7	35.6	22.4	14.1	8.9	5.6	3.5

**Power Supplies**

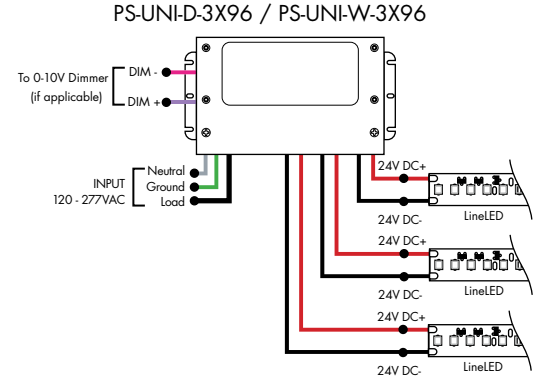
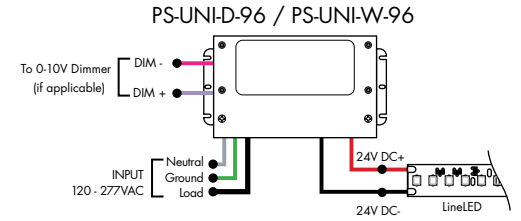
See Power Supply instructions and spec sheet for wiring information. For a complete list of compatible dimmers, see Compatible Dimming Chart on the Resources page.

**Ordering Code Universal Dimming Power Supplies 1% 120VAC - 277VAC**

MODEL	INPUT CONTROL	ENVIRONMENT	WATTAGE	OUTPUT
PS-Power Supply, 120-277VAC	UNI-0-10V Dimming, Phase Dimming	D-Dry W-Wet	30-30 Watts 60-60 Watts 96-96 Watts 3x96-3x96 Watts	24-24 VDC

Compatibility: View a complete list of compatible dimmers on product page [\(Link\)](#)

0-10V - 1% dimming  
MLV/ELV/TRIAC - 1% dimming, consult dimming compatibility chart



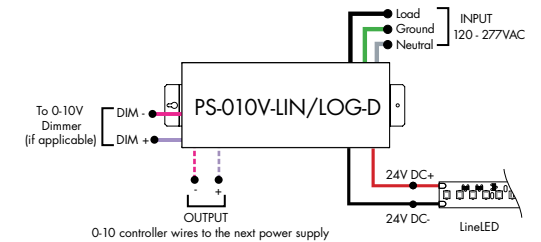
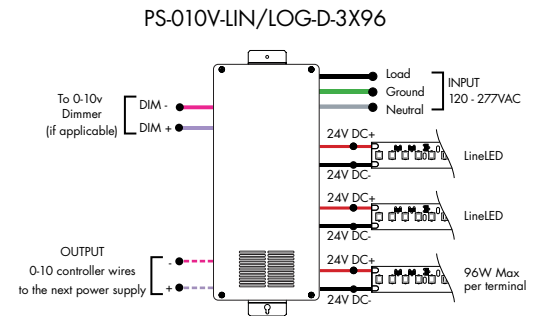
MODELS	PS-UNI-W-30W	PS-UNI-W-60W	PS-UNI-W-96W	PS-UNI-W-3X96W
<b>Length</b>	6.50"	7.40"	8.66"	11.85"
<b>Width</b>	3.73"	3.73"	3.73"	4.32"
<b>Depth</b>	1.61"	1.61"	1.61"	1.81"

MODELS	PS-UNI-D-30W	PS-UNI-D-60W	PS-UNI-D-96W	PS-UNI-D-3X96W
<b>Length</b>	8.77"	8.77"	8.11"	9.94"
<b>Width</b>	4.27"	4.27"	5.60"	7.61"
<b>Depth</b>	1.83"	1.83"	1.83"	2.02"

**Ordering Code 0-10V Dimming Power Supplies 0.1% 120VAC - 277VAC**

MODEL	INPUT CONTROL	ENVIRONMENT	WATTAGE	OUTPUT
PS-Power Supply, 120-277VAC	010V-LIN-0-10V Dimming (0.1%), Linear 010V-LOG-0-10V Dimming (0.1%), Logarithmic	D-Dry	96-96 Watts 3X96-3x96 Watts	24-24 VDC

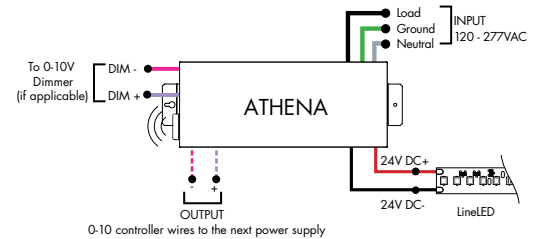
MODELS	96W	3X96
<b>Length</b>	14.40"	15.00"
<b>Width</b>	5.20"	6.62"
<b>Depth</b>	2.60"	4.45"



**Athena 0-10V LED Driver**

MODEL	INPUT CONTROL	ENVIRONMENT	WATTAGE	OUTPUT	FEATURE
PS-Power Supply, 120-277VAC	010V-LIN-0-10V Dimming, Linear 010V-LOG-0-10V Dimming, Logarithmic	D-Dry	96-96 W	24-24 VDC	AWNR-Athena

MODELS	96W
<b>Length</b>	14.40"
<b>Width</b>	5.20"
<b>Depth</b>	2.60"





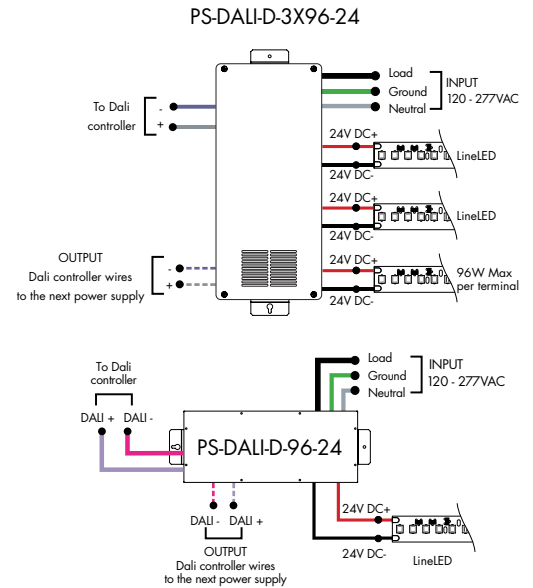
**Power Supplies**

See Power Supply instructions and spec sheet for wiring information. For a complete list of compatible dimmers, see Compatible Dimming Chart on the Resources page.

**Ordering Code DALI1 Dimming Power Supplies 0.1% 120VAC - 277VAC**

MODEL	INPUT CONTROL	ENVIRONMENT	WATTAGE	OUTPUT
PS-Power Supply, 120-277VAC	DALI-DALI (0.1%)	D-Dry	96-96 Watts 3X96-3X96 Watts	24-24 VDC

Model	96W	3X96
Length	14.40"	15.00"
Width	5.20"	6.62"
Depth	2.60"	4.56"

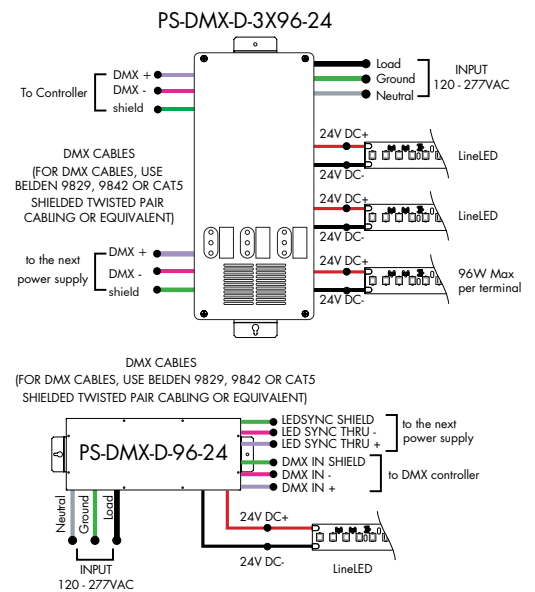


**Ordering Code DMX Dimming Power Supplies 0.1% 120VAC - 277VAC** Requires Zonal Control

MODEL	INPUT CONTROL	ENVIRONMENT	WATTAGE	OUTPUT
PS-Power Supply, 120-277VAC	DMX-DMX (0.1%)	D-Dry	96-96 Watts 3X96-3X96 Watts	24-24 VDC

\*Zonal control power supplies. Control multiple tapes/zones using DMX channels.

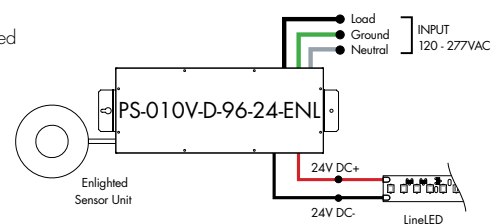
MODELS	96W	3X96
Length	14.40"	15.00"
Width	5.20"	6.62"
Depth	2.60"	4.56"



**Ordering Code Enlightened Enabled Dimming Power Supplies 1% 120VAC - 277VAC**

MODEL	INPUT CONTROL	ENVIRONMENT	WATTAGE	OUTPUT	FEATURE
PS-Power Supply, 120-277VAC	010V-0-10V Dimming (1%)	D-Dry	96-96 Watts	24-24 VDC	ENL-0-10V Enlightened

Model	96W
Length	14.40"
Width	5.20"
Depth	2.60"

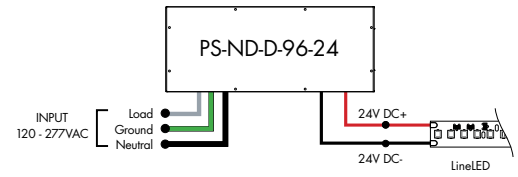


### Power Supplies

See Power Supply instructions and spec sheet for wiring information. For a complete list of compatible dimmers, see Compatible Dimming Chart on the Resources page.

#### Ordering Code Non-Dimming Power Supply 120VAC - 277VAC

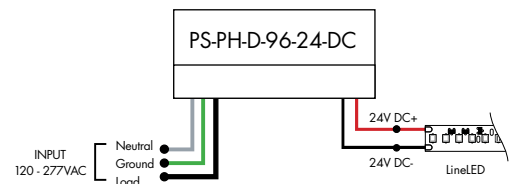
MODEL	INPUT CONTROL	ENVIRONMENT	WATTAGE	OUTPUT
PS - Power Supply, 120-277VAC	ND - Non Dimming	D - Dry	96-96 Watts	24 - 24 VDC



MODELS	96W
Length	14.40"
Width	5.20"
Depth	2.60"

#### Ordering Code Phase Dimming Power Supply 1% 120VAC - 277VAC

MODEL	INPUT CONTROL	ENVIRONMENT	WATTAGE	OUTPUT	OUTPUT CONTROL
PS - Power Supply, 120-277VAC	PH - Phase Dimming (Triac, ELV, MLV)	D - Dry	96 - 96 Watts	24 - 24 VDC	DC - Direct Current



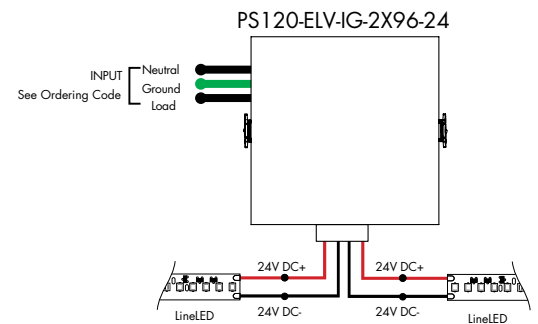
NOTE:  
OVER THE WHITE, GREEN, AND BLACK WIRES,  
CONNECT TO ELV OR MLV DIMMER

MLV/ELV/TRIAC - 1% dimming, consult dimming compatibility chart ([link](#))

MODELS	96W
Length	8.25"
Width	4.10"
Depth	1.56"

#### Ordering Code In-Ground Power Supplies

MODEL	INPUT CONTROL	ENVIRONMENT	WATTAGE	OUTPUT
PS120 - Power Supply, 120VAC PS240 - Power Supply, 240VAC PS277 - Power Supply, 277VAC	ELV - ELV Dimming (1%)	IG - In Ground	2X96 - 2X96 Watts	24 - 24 VDC



MODELS	2X96W
Length	8.40"
Width	8.30"
Depth	8.10"

### Power Supplies

See Power Supply instructions and spec sheet for wiring information. For a complete list of compatible dimmers, see Compatible Dimming Chart on the Resources page.



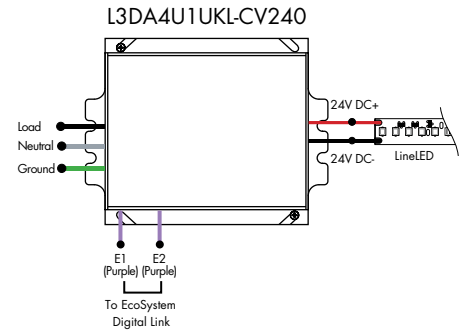
Luminii is a Lutron OEM Advantage Partner  
**Lutron Power Supplies 1%**

MODEL

**L3DA4U1UKL-CV240**

HiLume™ 1% EcoSystem Voltage LED driver  
 40W max

MODELS	L3DA4U1UKL-CV240
<b>Length</b>	4.98"
<b>Width</b>	4.00"
<b>Depth</b>	2.62"



Luminii is a Lutron OEM Advantage Partner  
**Lutron Power Supplies 0.1%**

MODEL

**L3D0-96W24V-U**

HiLume™ 0.1% EcoSystem Voltage LED Driver with Soft-On, Fade-to-Black™  
 96W max

MODELS	L3D0
<b>Length</b>	10.50"
<b>Width</b>	5.50"
<b>Depth</b>	2.00"

