

TRIDENT

WET-RATED LINEAR PROFILE



Trident - IP68 & IK10 Rated Linear Profile. The Trident is designed for applications where your space is exposed to wet conditions. It is our first linear profile designed with the LED encapsulation process in mind to ensure a properly cured, vandal resistant seal with hard resin. With many options available, it is highly modular, versatile and easy to install.

Ordering Code



Product Specifications

SAMPLE : Fixture 455 - 405 - FH - LO - 27 - 02 - E36 - 6'

1 - Type	2 - Model	3 - Resin	4 - LED Style*1	
455 · IP68 & IK10 Rated Profile	405 · Trident	FS · Frosted Soft CS · Clear Soft FH · Frosted Hard CH · Clear Hard	Static White LO · LLHE48LO Low Output SO · LLHE48SO Standard Output MO · LLHE48MO Medium Output HO · LLHE48HO High Output	Dynamic Color*2 DWSO · LLDW68SO Dynamic White Standard Output DWHO · LLDW68HO Dynamic White High Output RGBSO · LLRGB42SO Color changing Standard Output RGBHO · LLRGB42HO Color changing High Output RGBWSO · LL-LLRGBW36-SO Color changing Standard Output RGBWHO · LL-LLRGBW36-HO Color changing High Output
5 - CCT	6 - Finish	7 - Feed Length	8 - Fixture Length*1	
Static White 25 · 2500K 27 · 2700K 30 · 3000K 35 · 3500K 40 · 4000K	Dynamic Color*2 1935 · 1900K - 3500K*4 98 · RGB Color changing 99 · RGB+W Color changing	02 · Black*3 08 · Silver	B36 · 36" Back Fed E36 · 36" End Fed BXX · Custom Back Fed EXX · Custom End Fed	XX · Custom (XX.XX") Continuous runs will be made in equal sections no more than 8' long NOTE: For Channels and Lenses over 90", incremental shipping charges will apply

*1 Refer to page 2 for LED cut length intervals and available CCT
 *2 DMX driver required
 *3 Anodized finish
 *4 Please ask about different CCT ranges

Project : _____
 Quantity : _____
 Type : _____
 Notes : _____

LED Technical Information

	STYLE	WATT/FT	DELIVERED LM/FT CLEAR	DELIVERED LM/FT FROSTED	CRI	MAX. LENGTH	Color TEMPERATURE
Static White	LLHE48LO-1W	1.0	80	51	92	60'	2200K, 2500K, 2700K, 3000K, 3500K, 4000K
	LLHE48LO	1.9	160	102	92	48'	
	LLHE48SO	2.8	228	146	92	42'	
	LLHE48MO	3.5	304	195	92	33'	
	LLHE48HO	6.5	488	313	90	21'	
Dynamic Color	LLTW68SO-1935	4.6	251	186	95	32'	1900K - 3500K
	LLTW68HO-1935	5.6	273	202	96	32'	
	LLRGB42SO	4.5	149	81	---	28'	Red/Green/Blue
	LLRGB42HO	8.3	231	126	---	28'	
	LLRGBW36SO	4.1	127	94	97	26'	Red/Green/Blue White LED 97 CRI / 3000K
	LLRGBW36HO	7.6	281	153	97	26'	

* Lumen output calculations based on 3500K.
For LED strip information, See the page for:

LLHE48 [HERE](#).
LLTW68 [HERE](#).
LLRGB42 [HERE](#).
LLRGBW36 [HERE](#).

Resin & Profile Features

Top Layer

The top resin layer of the Trident acts as the lens and first line of defense for the LED.

Soft cured resin:

Outdoor resistant against rain, snow and direct sunlight as well as intense conditions like hail and acid rain. The resin is also thermal resistant against thermal cycles and drastic changes in temperature. Chemicals like detergents or disinfectants will not deteriorate, disintegrate or discolor the soft resin.

Hard cured resin:

The hard cured resin maintains all of the same outdoor resistant features as the soft, but acquires extra physical resistance as well. Abrasion resistance will keep the resin intact even after wear, impact or high levels of pressure are applied. It will prevent vandalism and resist fire and ignition. The hard resin allows any profile to be floor mounted.

Fill Layer

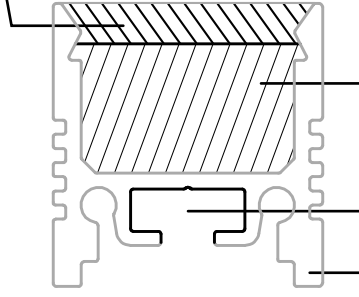
The fill layer of the wet rated Trident main purpose is to fully encapsulate and protect the LED strip. This fully sealed layer is able to maintain quality of light without any color shift. The fill layer will not yellow over time and will keep perfect CRI and color- consistency over the lifespan of the LED.

Mounting Options

The Trident profile has a built-in channel for attaching a variety of mounting clips. Either surface, adjustable mount or suspended, all mounting options are suitable for outdoor installation. See page 3 for details.

Aluminum Extrusion

Trident, along with all our profile fixtures, are made of anodized aluminum. This allows our profile to be as thin as possible while maintaining rigidity, limiting flex over long runs.



Top Layer Finish

Frosted Resin



The frosted resin top layer is available in both hard and soft options. It offers a soft diffused light with no dots.

Clear Resin



The clear resin top layer is the best option for maximum light efficiency. Low light loss allows you to get the most out of each LED.

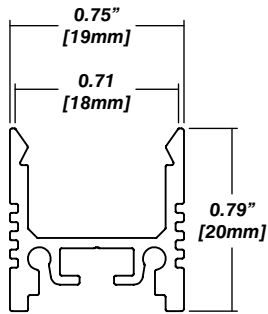
Construction

- High quality poured resin lens
- Hard, soft, clear and frosted resin options
- Aluminum extruded profile

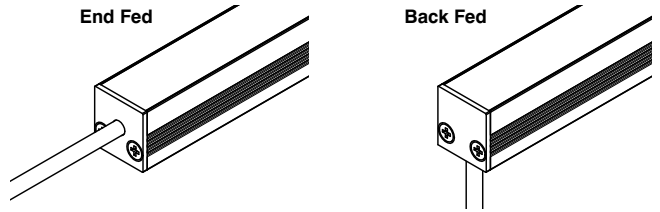
Installation

- Factory assembled for easy and fast installation
- Electrical wire included

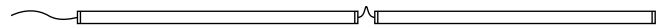
Dimensions



Feed Points & Joining Sections



- Typical 2" jumper on runs over 8'

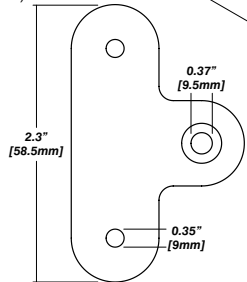
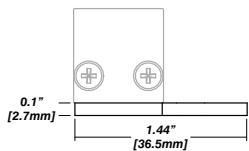
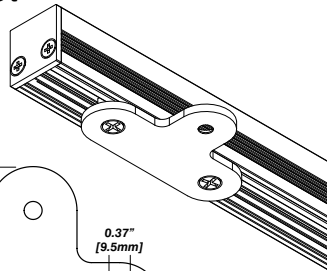


- Seamless profile with back fed jumper

Surface Mount Bracket

part number **455-405-25**

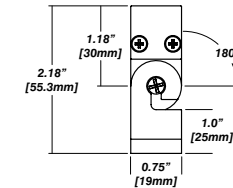
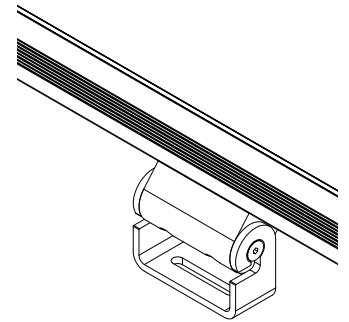
- Stainless steel construction
- Allows mounting to surfaces with a variation up to 0.1" (2.7mm)
- For flat surfaces only



Adjustable Bracket

part number **455-405-12**

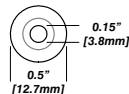
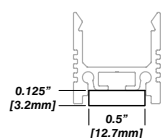
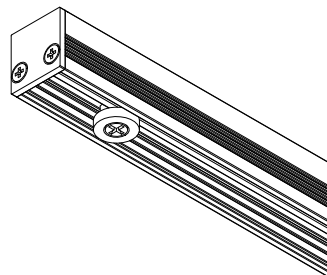
- Tilts up to 180°
- Aluminum construction
- Raises Trident by 1.0" [25mm]



Flush Mount Magnet

part number **455-405-14**

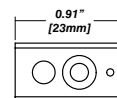
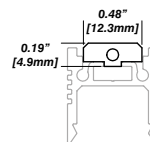
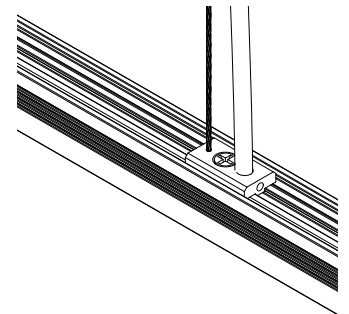
- Steel construction
- High strength magnets
- Not visible once installed
- For flat surfaces only



Suspension

Fixture Mount

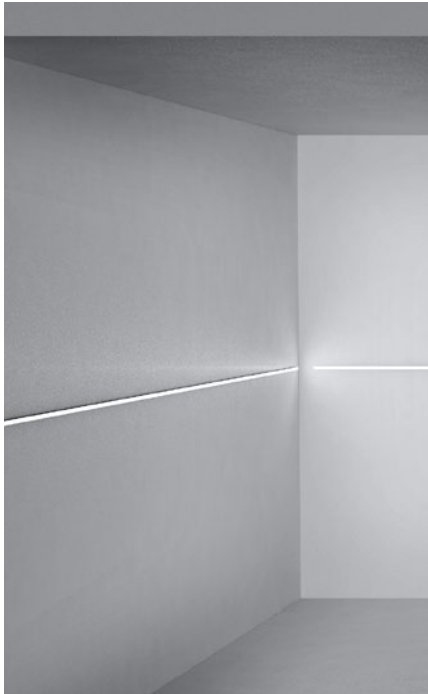
- Machined aluminum construction
- Custom suspension length
- Included aircraft cable



Canopy

- Aluminum construction
- Gripper for aircraft cable and feed
- Includes 8 feet of each cable





Flush / Surface Mounted

Part Number **455-405-25** Bracket

Part Number **455-405-14** Magnet

Flush mounting allows for the most discreet installation of linear profile lighting without the need for extensive modification to a space. Either bracket or magnet will achieve the minimalism expected from flush mount applications.



Adjustable Bracket Mount

Part Number **455-405-12**

Linear profile mounted by adjustable brackets offers maximum movement in fixed placement. 180 degrees of rotation means the lighting works for the setting, not the other way around.



Suspended System

The Trident profile is equipped with suspension mounting without compromising the weatherproof housing of the LED strip.

Universal Power Supply 1% 120VAC - 277VAC

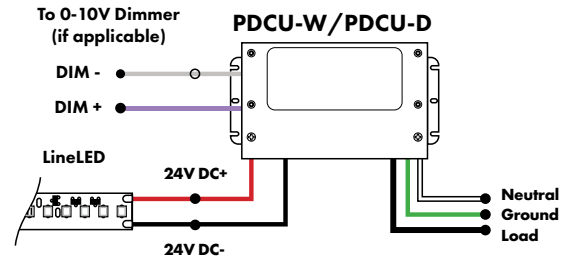
Universal Power Supply 1% 120VAC - 277VAC

MODEL	POWER	OUTPUT
PDCU-D - IP20 Dry Series	30 - 30 W 60 - 60 W 96 - 96 W	24 - 24 VDC

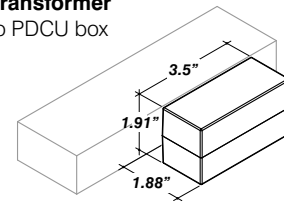
PDCU-W - IP66 Wet Series 96 - 96 W

0-10V dims down to 1%, MLV/ELV/TRIAC dims down to 1%.
Contact Senso to specify 347V transformer.
For a complete details on the Universal Power Supply, see Spec Sheet, Compatible Dimming and Install Guide on the [Resources page](#).

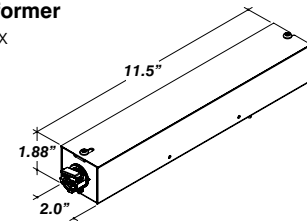
MODELS	PDCU-W 96W	PDCU-D 30W	PDCU-D 60W	PDCU-D 96W
Length	8.66"	6.10"	7.93"	8.25"
Width	3.73"	3.35"	3.35"	4.10"
Depth	1.61"	1.33"	1.32"	1.56"



30W/60W 347V Transformer
attaches directly to PDCU box



96W 347V Transformer
wired to PDCU box



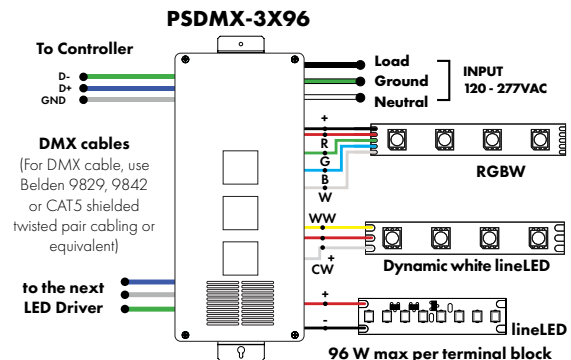
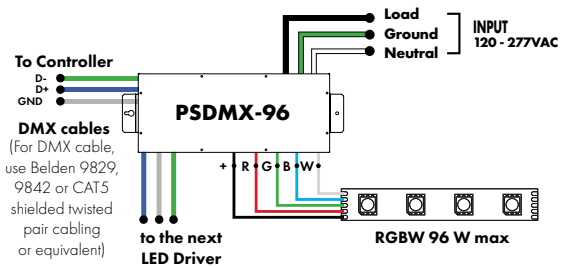
DMX Dimming Power Supply 120VAC - 277VAC

DMX Dimming Power Supplies 120VAC - 277VAC

MODEL	POWER	OUTPUT
PSDMX - DMX Power Supply dims down to 0%	96 - 96 Watt 3X96 - 3 X 96 Watt	24 - 24 VDC

Features eldoLED's LINEARdrive configurable dimmable drivers. For a complete details on the DMX Dimming Power Supply, see Spec Sheet on the [Resources page](#).

MODELS	96W	3X96
Length	14.40"	15.75"
Width	5.20"	6.62"
Depth	2.60"	4.95"



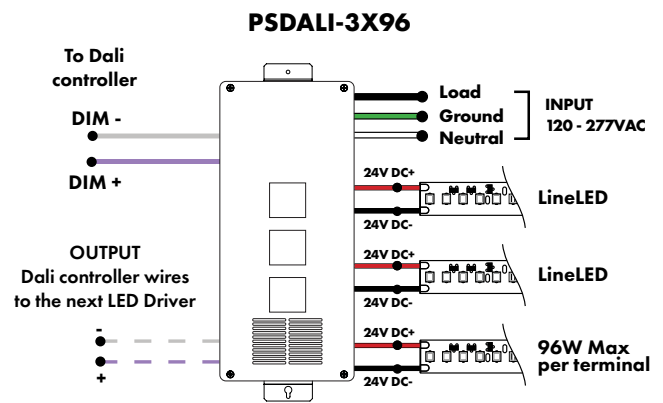
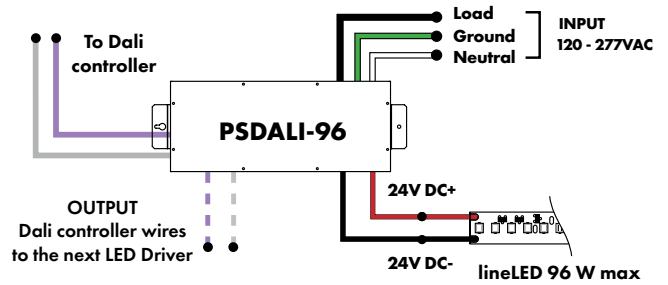
DALI 0% Dimming Power Supplies 120VAC - 277VAC

DALI 0% Dimming Power Supplies 120VAC - 277VAC

MODEL	POWER	OUTPUT
PSDALI - DALI Power Supply dims down to 0%	96 - 96 Watt 3X96 - 3 X 96 Watt	24 - 24 VDC

Features eldoLED's LINEARdrive configurable dimmable drivers

Model	96W	3X96
Length	14.40"	15.75"
Width	5.20"	6.62"
Depth	2.60"	4.95"



LUTRON®

Luminii is a Lutron OEM Advantage Partner
Lutron Power Supplies 1%

MODEL

LTEA4U1UKL-CV240

Lutron - Hi-lume™ 1% 2-wire LED Driver
40W max

(120V forward phase only)

MODEL

L3DA4U1UKL-CV240

Hi-lume™ 1% EcoSystem Voltage LED driver
40W max

MODELS	LTEA41UKL-CV240	L3DA4U1UKL-CV240
Length	4.89"	4.98"
Width	4.00"	4.00"
Depth	2.62"	2.62"

For a complete details on the Lutron Power Supply, see Spec Sheet and Install Guide on the [Resources page](#).

LUTRON®

Luminii is a Lutron OEM Advantage Partner
Lutron Power Supplies 0.1%

MODEL

L3D0-96W24V-U

Hi-lume™ 0.1% EcoSystem Voltage LED Driver with Soft-On, Fade-to-Black™
96W max

MODELS	L3D0
Length	10.50"
Width	5.50"
Depth	2.00"

