



5" Linear Downlight shown with Louver

**Linear Downlight Features**

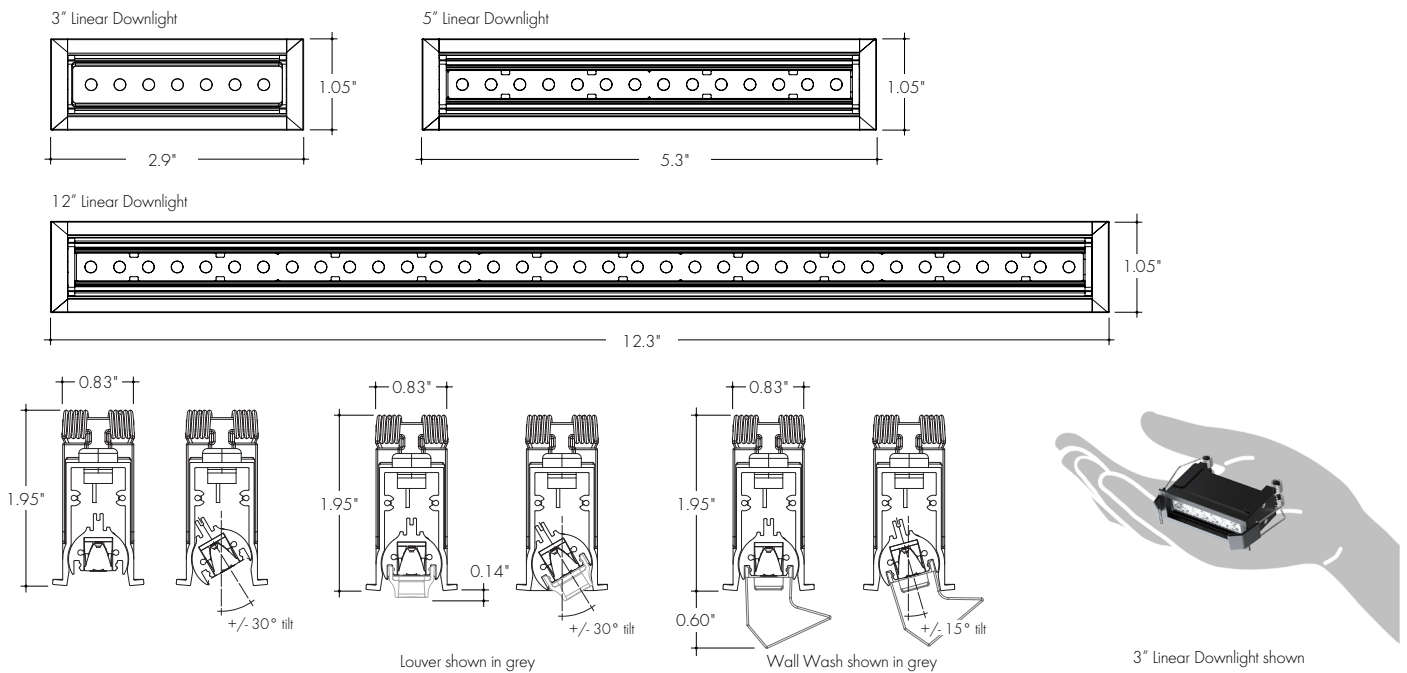
- Flawless beam quality from a unique micro-linear form factor
- Narrow 15° TIR native beam is aimable +/- 30°
- Louvers available for 15°, 30°, and 60° beams
- Snap-on optics available to easily adjust beam angle in the field
- Available in three sizes and outputs, four CCTs
- For 0.5" to 2.0" ceiling thickness
- 24VDC Class 2
- L90 > 50K hours
- Wall Wash optic provides even illumination starting from the top of the wall to the bottom
- Wall Wash recommended spacing is 2ft from the wall and 2ft on-center
- Fixture is IC rated and does not require a housing or pan



**Finish Options**



**Profile Dimensions**



**Technical Information**

TYPE	Stenos			OPTIC	TRANSMISSION	CCT	Multiplier (ref. - 3000K)	TM-30			
	3	5	12					CRI	R <sub>f</sub>	R <sub>g</sub>	R <sub>9</sub>
<b>OUTPUT OPTIONS</b> (15° Optic)				15	100%	2700K	0.96	93	93	98	56
<b>Lumen Output</b> (3000K)	275 lm	546 lm	1324 lm	LV15	60%	3000K	1.00	94	91	97	60
<b>Power Consumption</b>	2.6 W	5.4 W	13.0 W	LV30	65%	3500K	1.07	94	92	99	63
<b>Efficacy</b> (lm/W)	106 lm/W	101 lm/W	102 lm/W	LV60	50%	4000K	1.11	92	91	99	59
<b>Center Beam Intensity</b> (candela)	1612 cd	3309 cd	8542 cd	WW	47%						
				LU	35%						
				EL	81%						

**Ordering Code | Linear Downlight**

MODEL	LENGTH	CCT	OUTPUT	OPTIC	FINISH
SD-Stenos Linear Downlight	3-2.9" 5-5.3" 12-12.3"	27K-2700K 30K-3000K 35K-3500K 40K-4000K	SO-Standard	15-15° Optic LV15-15° Louver <sup>1</sup> LV30-30° Optic and Louver LV60-60° Optic and Louver WW-Wall Wash Optic <sup>2</sup> LU-15° Bullseye Louver <sup>3</sup> EL-15° x 45° Elliptical Lens <sup>4</sup>	BK-Black WH-White

1 - LV15° Louvers reduce glare while maintaining 90% of CBCP when compared to standard 15° optic.  
2 - Wall Wash Optic Not Available with SMD-3. Wall Wash Optic Only available in BK Black.  
3 - LU Bullseye Louver reduces glare while maintaining 75% of CBCP.  
4 - Only available in BK Black.

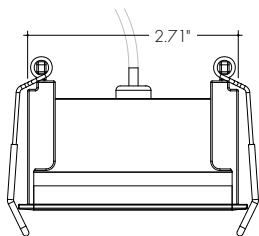
**Ordering Code | Linear Downlight Accessories**

MODEL	ACCESSORY	SIZE	FINISH
SAC-Stenos Accessory	LV15-15° Louver LV30-30° Optic and Louver LV60-60° Optic and Louver WW-Wall Wash Optic <sup>1,2</sup> LU-15° Bullseye Louver <sup>2</sup> EL-15° x 45° Elliptical Lens <sup>2</sup>	3-2.9" Linear Downlight 5-5.3" Linear Downlight 12-12.3" Linear Downlight	BK-Black WH-White

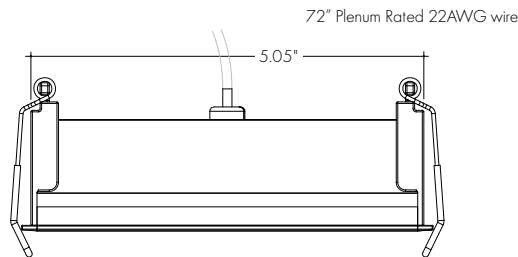
1 - WW Wall Wash Optic Not Available with SD-3.  
2 - WW Wall Wash Optic, LU Bullseye Louver, and EL Elliptical Lens only available in BK Black.

Linear Downlight Dimensions

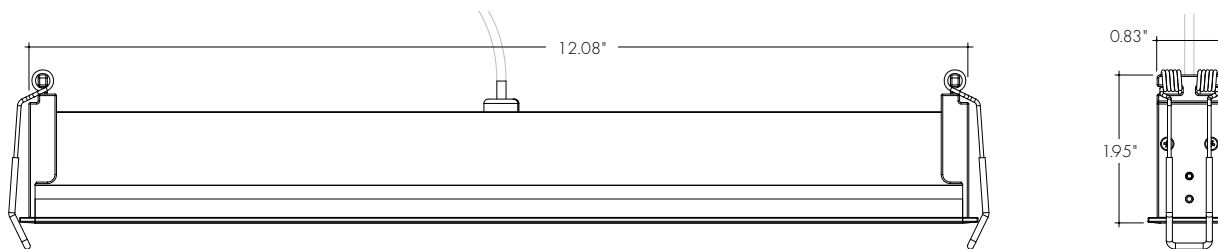
SD-3



SD-5



SD-12



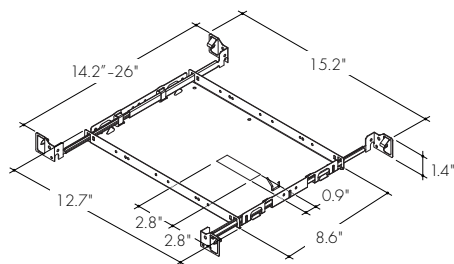
Installation Methods

Plaster Frame Bar Hanger Plate

- Galvanized steel construction with cut-out
- Hanger Bars included with PF, extendable from 14.2" to 26.0"
- RMP-12-T-R trays can only be installed parallel to the ceiling joists

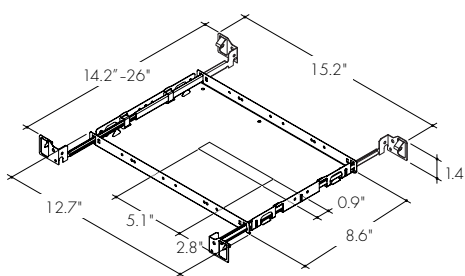
RMP-3-T-R

New Construction Pan/Plaster Frame, 3"



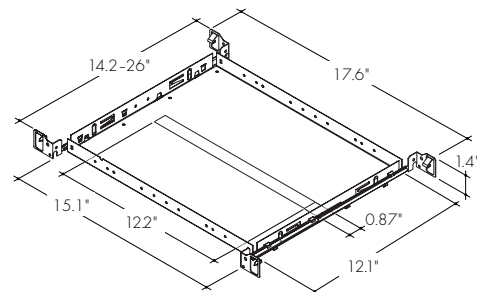
RMP-5-T-R

New Construction Pan/Plaster Frame, 5"



RMP-12-T-R

New Construction Pan/Plaster Frame, 12"

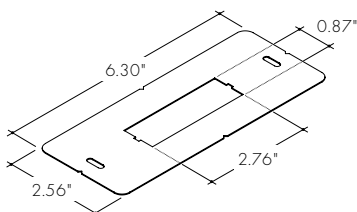


Remodel Install Plates

- Precision cutout to aid remodel installation

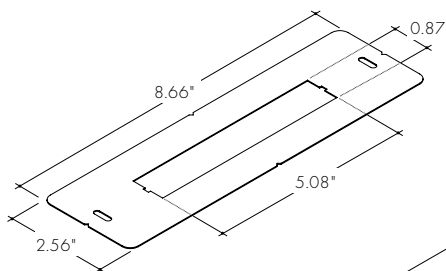
IP-SD-3

Remodel Cut-Out Template, 3"



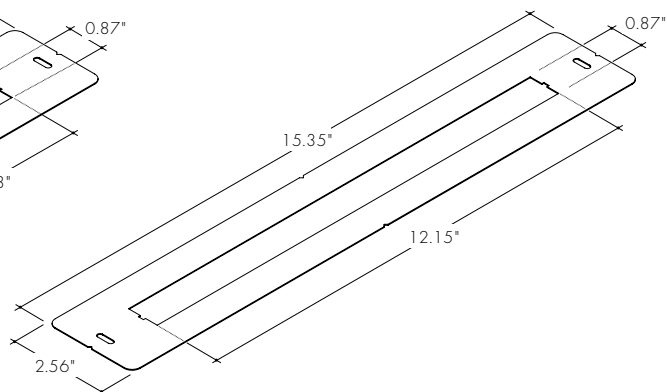
IP-SD-5

Remodel Cut-Out Template, 5"



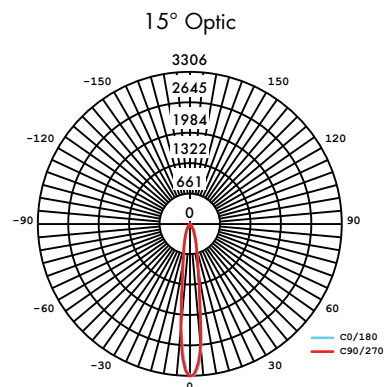
IP-SD-12

Remodel Cut-Out Template, 12"



Photometry

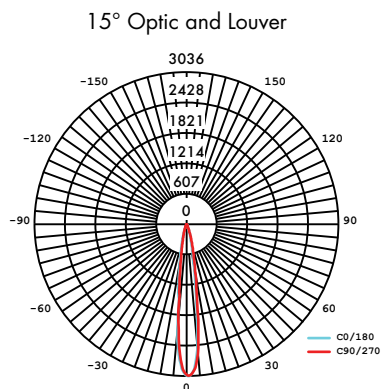
SD-5-30K-SO-15-BK/WH



SD-5-30K-SO-LV15-BK/WH



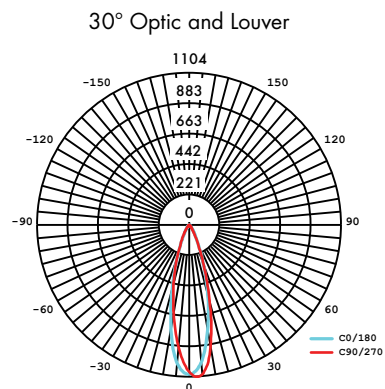
SAC-LV15-5-BK/WH



SD-5-30K-SO-LV30-BK/WH



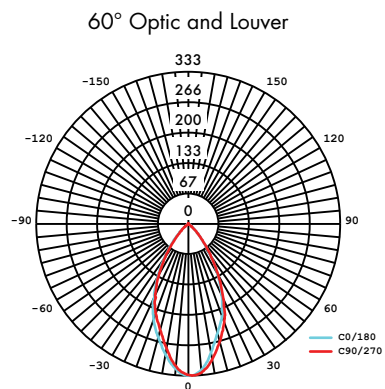
SAC-LV30-5-BK/WH



SD-5-30K-SO-LV60-BK/WH

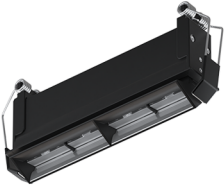


SAC-LV60-5-BK/WH



Photometry

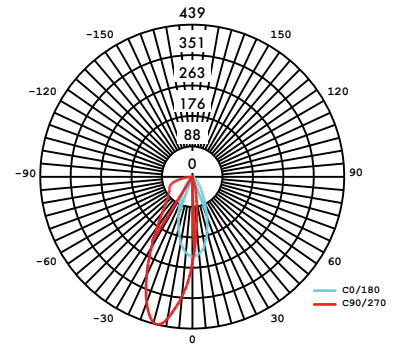
SD-5-30K-SO-WW-BK



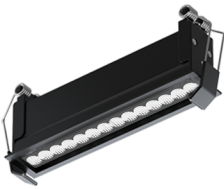
SAC-WW-5-BK



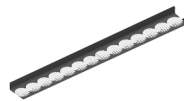
5" Wall Wash



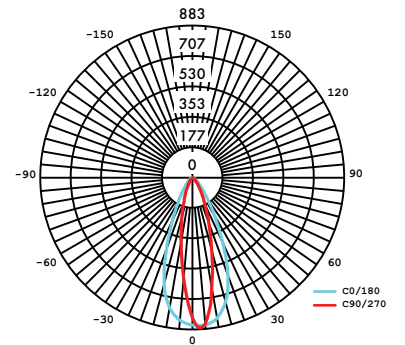
SD-5-30K-SO-EL-BK



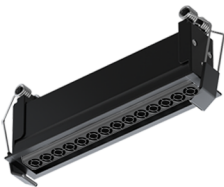
SAC-EL-5-BK



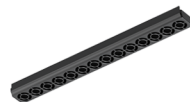
5" Elliptical Lens



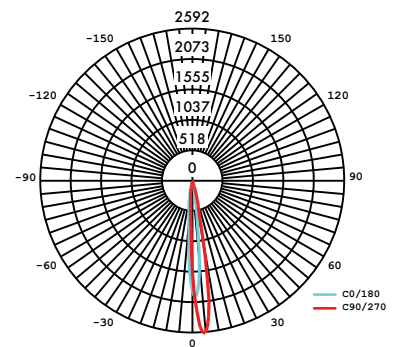
SD-5-30K-SO-LU-BK



SAC-LU-5-BK

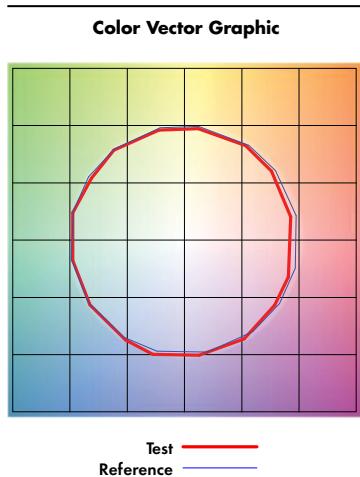


5" Bullseye Louver



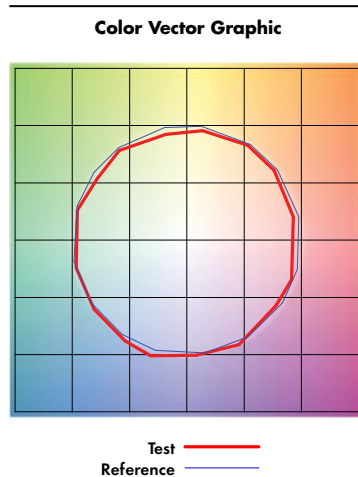
TM-30-15-Data

27K CCT



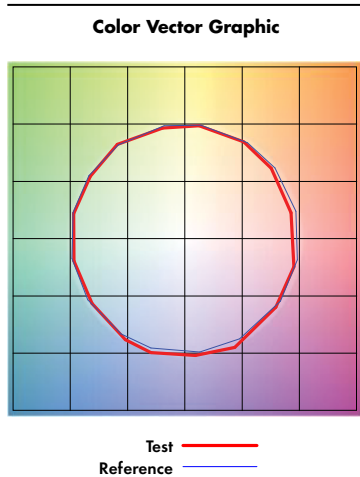
Graphic Shifts (%)			
Hue Bin	Rf	Chroma	Hue
1	89.9	-5.0%	0.1%
2	92.9	-3.1%	1.7%
3	93.7	-1.9%	2.2%
4	96.3	-2.2%	-0.2%
5	96.2	-1.7%	1.5%
6	96.3	-0.5%	1.1%
7	95.4	-2.6%	-0.3%
8	96.7	0.4%	1.8%
9	96.1	-1.0%	1.8%
10	94.6	0.0%	2.7%
11	95.6	1.2%	3.1%
12	90.5	3.4%	-2.9%
13	89.1	1.2%	-7.6%
14	86.8	1.0%	-9.8%
15	91.1	-2.8%	-3.6%
16	85.7	-4.5%	-8.6%

30K CCT



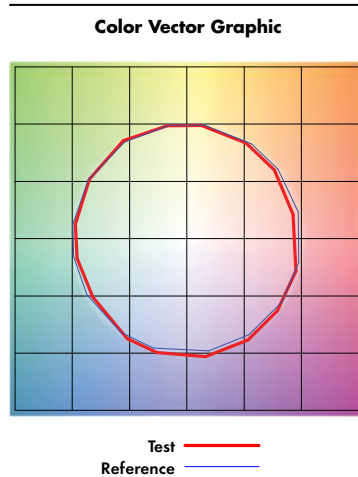
Graphic Shifts (%)			
Hue Bin	Rf	Chroma	Hue
1	89.2	-4.7%	1.2%
2	93.0	-2.6%	1.4%
3	94.6	-1.7%	1.3%
4	93.3	-3.5%	-1.7%
5	92.1	-6.1%	0.1%
6	95.0	-2.3%	0.9%
7	89.6	-5.4%	2.6%
8	89.6	-0.9%	3.4%
9	89.6	-0.8%	6.0%
10	89.6	0.8%	6.4%
11	90.5	3.1%	5.0%
12	88.8	5.6%	-3.3%
13	89.1	0.5%	-7.5%
14	86.1	1.5%	-10.1%
15	86.3	-3.3%	-5.3%
16	84.5	-3.1%	-9.9%

35K CCT



Graphic Shifts (%)			
Hue Bin	Rf	Chroma	Hue
1	90.9	-4.5%	-0.4%
2	93.4	-2.7%	1.7%
3	92.4	-1.2%	3.2%
4	95.7	-0.9%	1.2%
5	94.8	-1.6%	1.4%
6	96.9	1.0%	0.4%
7	95.8	-1.5%	-0.3%
8	97.3	-0.6%	0.9%
9	94.9	-1.4%	2.5%
10	91.4	-1.3%	4.7%
11	89.2	2.3%	5.9%
12	90.0	4.0%	0.7%
13	92.5	2.2%	-4.2%
14	88.2	3.6%	-7.8%
15	89.0	-0.5%	-6.6%
16	87.4	-1.6%	-6.6%

40K CCT



Graphic Shifts (%)			
Hue Bin	Rf	Chroma	Hue
1	90.1	-4.9%	-1.3%
2	93.4	-3.0%	1.5%
3	90.0	-2.0%	4.3%
4	94.1	-0.6%	2.7%
5	93.6	-0.2%	2.2%
6	96.4	1.6%	0.2%
7	97.0	-0.7%	-1.1%
8	95.2	-2.0%	-0.5%
9	93.8	-2.7%	2.1%
10	89.7	-3.3%	4.7%
11	87.1	1.6%	7.4%
12	89.0	3.4%	3.8%
13	90.8	4.3%	-3.5%
14	93.2	3.4%	-3.1%
15	87.0	0.8%	-8.6%
16	86.0	-1.0%	-7.9%

**Power Supplies**

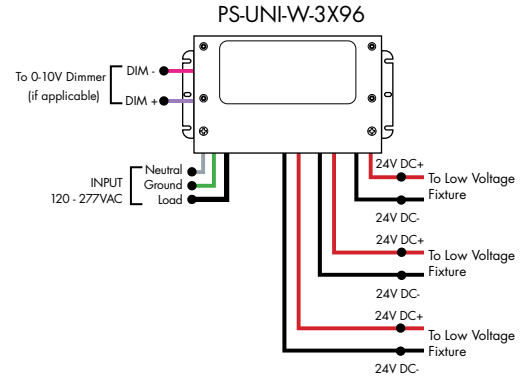
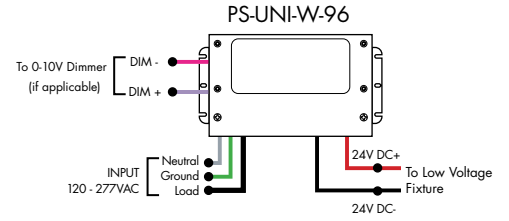
See Power Supply instructions and spec sheet for wiring information. For a complete list of compatible dimmers, see Compatible Dimming Chart on the Resources page.

**Ordering Code Universal Dimming Power Supplies 1% 120VAC - 277VAC**

MODEL	INPUT CONTROL	ENVIRONMENT	WATTAGE	OUTPUT
PS-Power Supply, 120-277VAC	UNI-0-10V Dimming, Phase Dimming	W-Wet	30-30 Watts 60-60 Watts 96-96 Watts 3x96-3x96 Watts	24-24 VDC

Compatibility: View a complete list of compatible dimmers on product page ([Link](#))

0-10V - 1% dimming  
MLV/ELV/TRIAC - 1% dimming, consult dimming compatibility chart



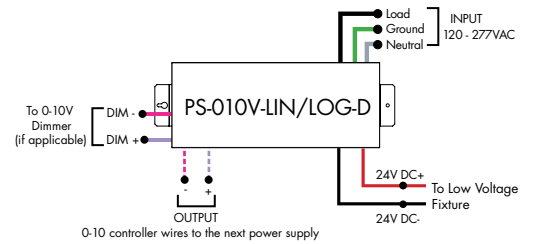
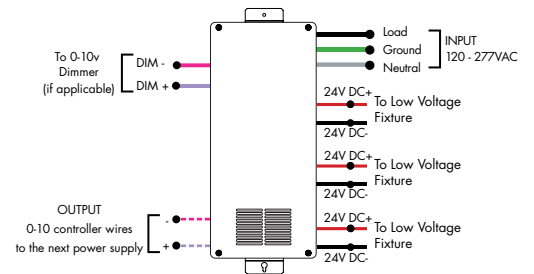
MODELS	PS-UNI-W-30W	PS-UNI-W-60W	PS-UNI-W-96W	PS-UNI-W-3X96W
<b>Length</b>	6.50"	7.40"	8.66"	11.85"
<b>Width</b>	3.73"	3.73"	3.73"	4.32"
<b>Depth</b>	1.61"	1.61"	1.61"	1.81"

**Ordering Code 0-10V Dimming Power Supplies 0.1% 120VAC - 277VAC**

MODEL	INPUT CONTROL	ENVIRONMENT	WATTAGE	OUTPUT
PS-Power Supply, 120-277VAC	010V-LIN-0-10V Dimming (0.1%), Linear 010V-LOG-0-10V Dimming (0.1%), Logarithmic	D-Dry	96-96 Watts 3X96-3x96 Watts	24-24 VDC

MODELS	96W	3X96
<b>Length</b>	14.40"	15.00"
<b>Width</b>	5.20"	6.62"
<b>Depth</b>	2.60"	4.45"

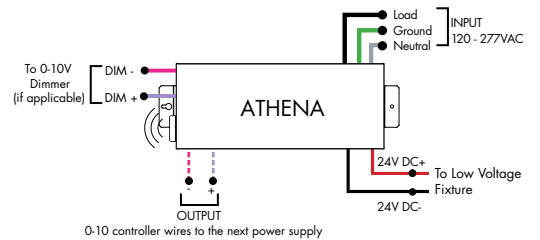
**PS-010V-LIN/LOG-D-3X96**



**Athena 0-10V LED Driver**

MODEL	INPUT CONTROL	ENVIRONMENT	WATTAGE	OUTPUT	FEATURE
PS-Power Supply, 120-277VAC	010V-LIN-0-10V Dimming, Linear 010V-LOG-0-10V Dimming, Logarithmic	D-Dry	96-96 W	24-24 VDC	AWN-R-Athena

MODELS	96W
<b>Length</b>	14.40"
<b>Width</b>	5.20"
<b>Depth</b>	2.60"



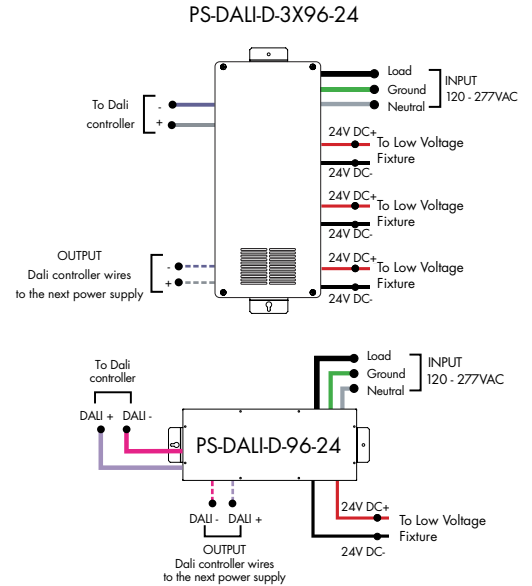
**Power Supplies**

See Power Supply instructions and spec sheet for wiring information. For a complete list of compatible dimmers, see Compatible Dimming Chart on the Resources page.

**Ordering Code DALI1 Dimming Power Supplies 0.1% 120VAC - 277VAC**

MODEL	INPUT CONTROL	ENVIRONMENT	WATTAGE	OUTPUT
PS-Power Supply, 120-277VAC	DALI-DALI (0.1%)	D-Dry	96-96 Watts 3X96-3X96 Watts	24-24 VDC

Model	96W	3X96
Length	14.40"	15.00"
Width	5.20"	6.62"
Depth	2.60"	4.56"

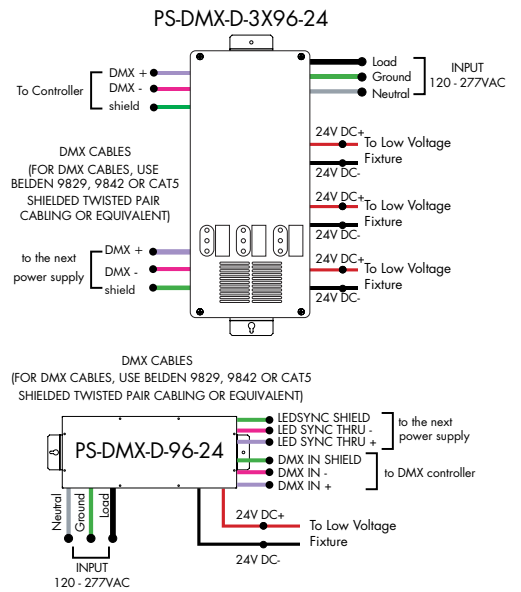


**Ordering Code DMX Dimming Power Supplies 0.1% 120VAC - 277VAC** Requires Zonal Control

MODEL	INPUT CONTROL	ENVIRONMENT	WATTAGE	OUTPUT
PS-Power Supply, 120-277VAC	DMX-DMX (0.1%)	D-Dry	96-96 Watts 3X96-3X96 Watts	24-24 VDC

\*Zonal control power supplies. Control multiple tapes/zones using DMX channels.

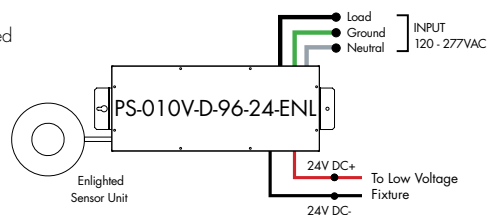
MODELS	96W	3X96
Length	14.40"	15.00"
Width	5.20"	6.62"
Depth	2.60"	4.56"



**Ordering Code Enlightened Enabled Dimming Power Supplies 1% 120VAC - 277VAC**

MODEL	INPUT CONTROL	ENVIRONMENT	WATTAGE	OUTPUT	FEATURE
PS-Power Supply, 120-277VAC	010V-0-10V Dimming (1%)	D-Dry	96-96 Watts	24-24 VDC	ENL-0-10V Enlightened

Model	96W
Length	14.40"
Width	5.20"
Depth	2.60"

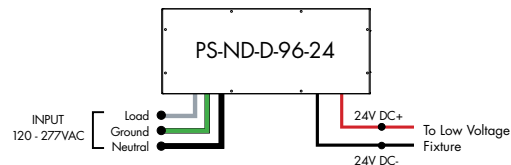


**Power Supplies**

See Power Supply instructions and spec sheet for wiring information. For a complete list of compatible dimmers, see Compatible Dimming Chart on the Resources page.

**Ordering Code Non-Dimming Power Supply 120VAC - 277VAC**

MODEL	INPUT CONTROL	ENVIRONMENT	WATTAGE	OUTPUT
PS - Power Supply, 120-277VAC	ND - Non Dimming	D - Dry	96-96 Watts	24 - 24 VDC



MODELS	96W
<b>Length</b>	14.40"
<b>Width</b>	5.20"
<b>Depth</b>	2.60"

**LUTRON<sup>®</sup>**

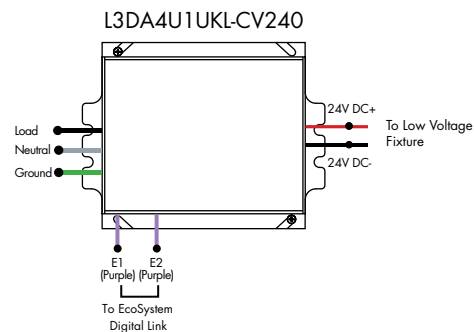
Luminii is a Lutron OEM Advantage Partner  
**Lutron Power Supplies 1%**

MODEL

<b>L3DA4U1UKL-CV240</b>
-------------------------

HiLume™ 1% EcoSystem Voltage LED driver  
40W max

MODELS	L3DA4U1UKL-CV240
<b>Length</b>	4.98"
<b>Width</b>	4.00"
<b>Depth</b>	2.62"



**LUTRON<sup>®</sup>**

Luminii is a Lutron OEM Advantage Partner  
**Lutron Power Supplies 0.1%**

MODEL

<b>L3D0-96W24V-U</b>
----------------------

HiLume™ 0.1% EcoSystem Voltage LED Driver with Soft-On, Fade-to-Black™  
96W max

MODELS	L3D0
<b>Length</b>	10.50"
<b>Width</b>	5.50"
<b>Depth</b>	2.00"

