

Features

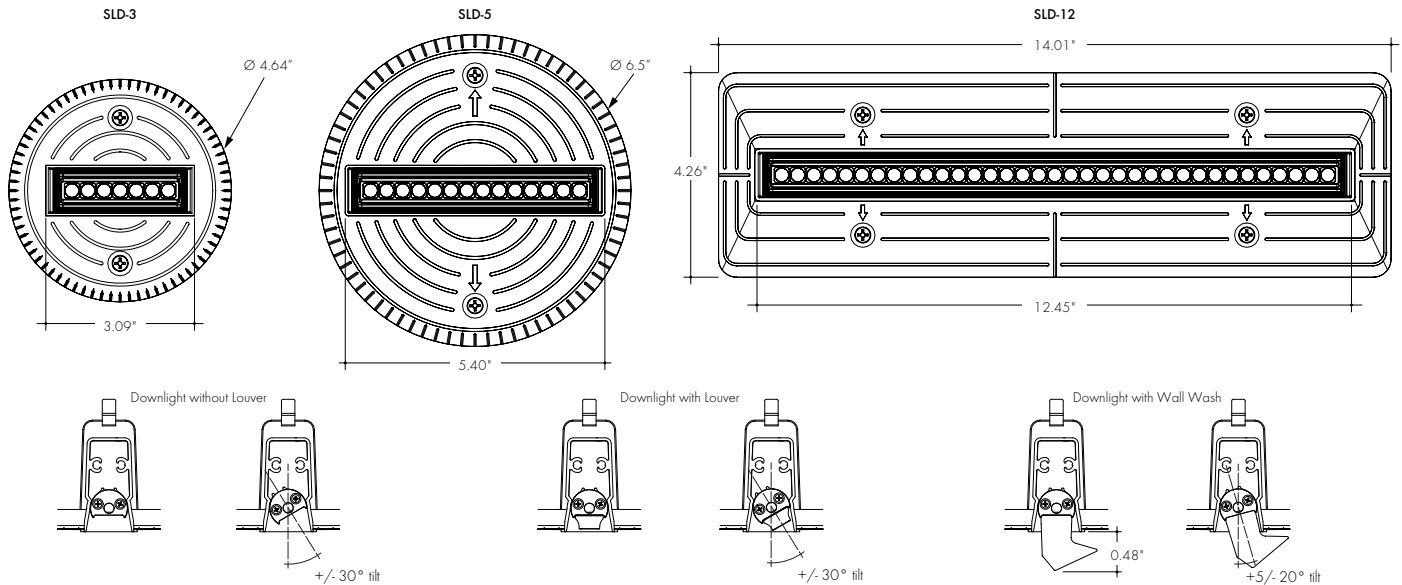
- Flawless beam quality from a unique micro-linear form factor
- Narrow 15° TIR native beam is aimable +/- 30°
- Louvers available for 15°, 30°, and 60° beams
- Snap-on optics available to easily adjust beam angle in the field
- For ceiling thicknesses from 0.5" up to 1.25"
- LED Module is field serviceable from below the ceiling.
- 24VDC Class 2
- Wet Rated
- Wall Wash optic provides even illumination starting from the top of the wall to the bottom
- Wall Wash recommended spacing is 2ft from the wall and 2ft on-center
- Fixture is IC rated and does not require a housing or pan.

Finish Options

- Black Painted
- White Painted



Product Dimensions



Technical Information

TYPE	Stenos	
	5	12
LENGTH OPTIONS (15° OPTIC)	5	12
Lumen Output (3000K)	442 lm	1071 lm
Beam Spread (FWHM)	14°	14°
Center Beam Intensity (CBCP)	2663 cd	6918 cd
Power Consumption	5.4 W	13.5 W
Efficacy	82 lm/W	79 lm/W
Aesthetic	Regressed Baffle	Regressed Baffle

OPTIC	TRANSMISSION
15	100%
LV15	60%
LV30	65%
LV60	50%
WW	47%
LU	35%
EL	81%

CCT	TM-30			
	CRI	R _f	R _g	R ₉
1800K	93	93	99	83
3500K	95	92	100	74

Ordering Code | Directional Module

MODEL	LENGTH	CCT	OUTPUT	OPTIC	FINISH
SLD - Stenos Trimless Linear Downlight	5-5.3" / 12-12.3"	18K35K - 1800K to 3500K	DWSO - Standard ¹	15 - 15° Optic LV15 - 15° Louver ² LV30 - 30° Louver and Optic ² LV60 - 60° Louver and Optic ² WW - Wall Wash Optic LU - 15° Bullseye Louver ³ EL - 15°x 45° Elliptical Lens ⁴	BK - Black

Ordering Code | Accessories

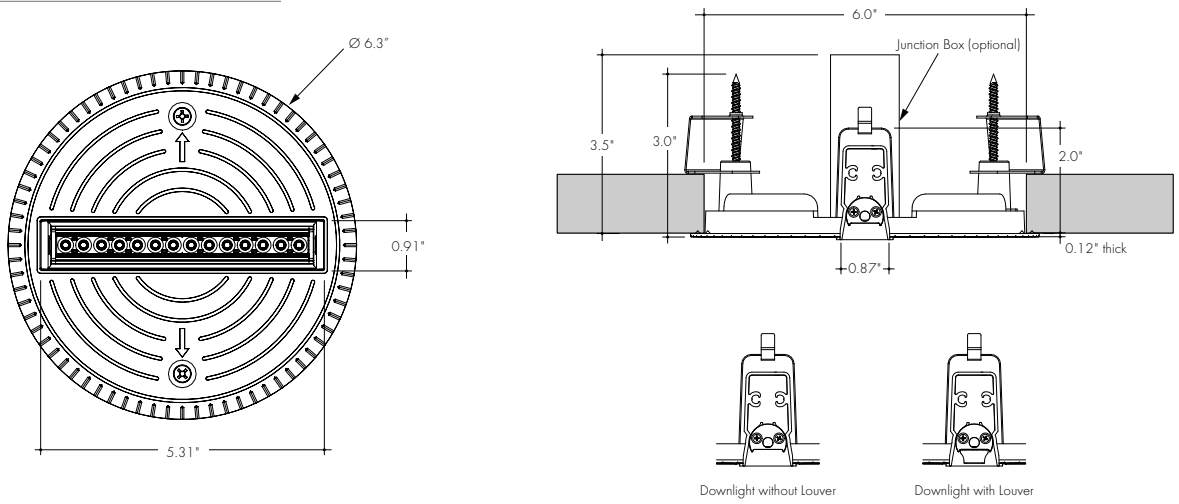
MODEL	ACCESSORY	LENGTH	FINISH
SAC - Stenos Accessory	LV15 - 15° Louver LV30 - 30° Louver and Optic LV60 - 60° Louver and Optic WW - Wall Wash Optic ¹ LU - 15° Bullseye Louver ¹ EL - 15°x 45° Elliptical Lens ¹	5-5.3" Linear 12-Downlight 12.3" Linear Downlight	BK - Black WH - White

1 - Standard Output fixture is IC rated and does not require a housing or pan.
2 - LV Louvers reduce glare while maintaining 90% of CBCP.
3 - LU Bullseye Louver reduces glare while maintaining 75% of CBCP.
4 - Only available in BK Black.

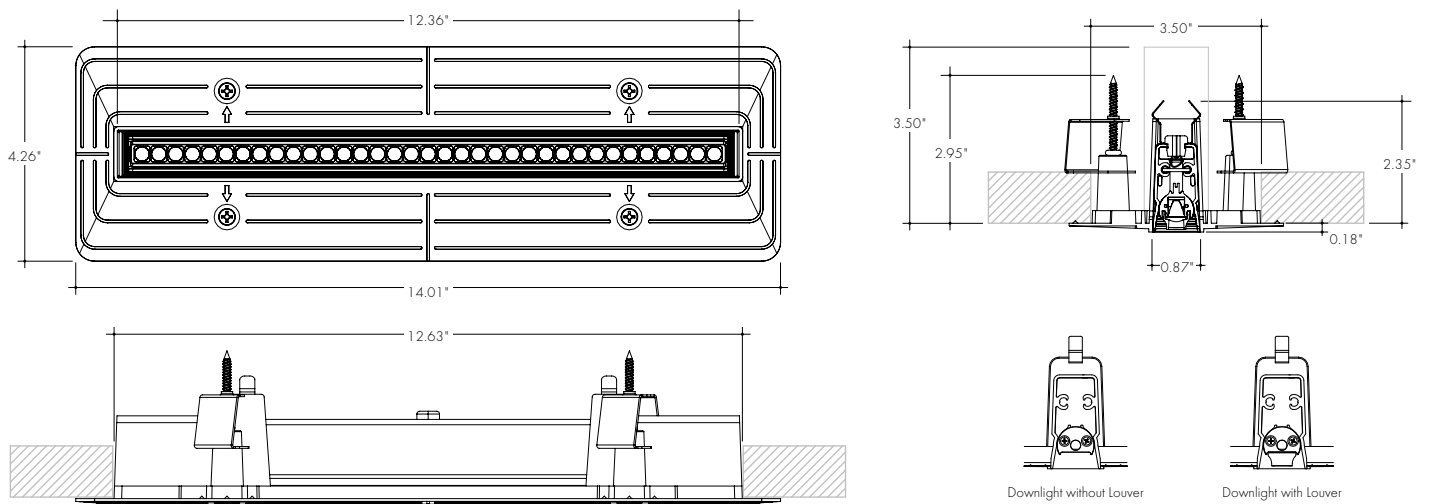
1 - Wall Wash Optic, LU Bullseye Louver, and EL Elliptical Lens only available in BK Black.

Product Dimensions

SLD-5

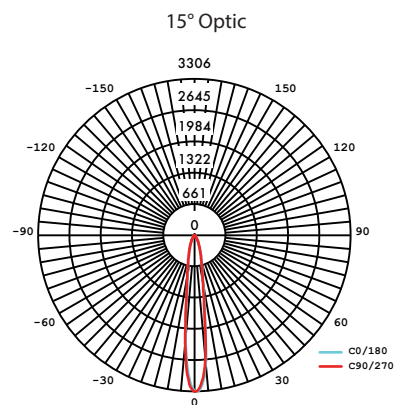


SLD-12

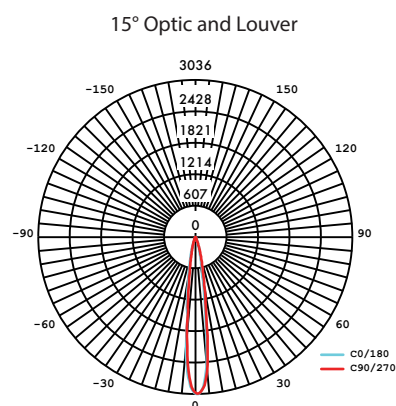
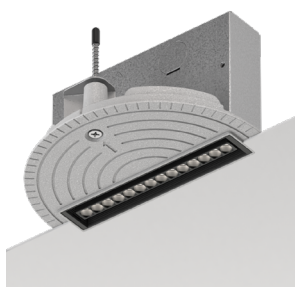


Photometry SLD-5

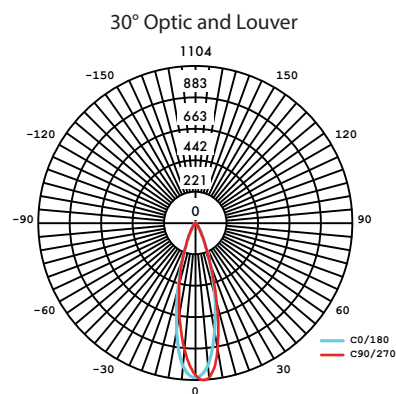
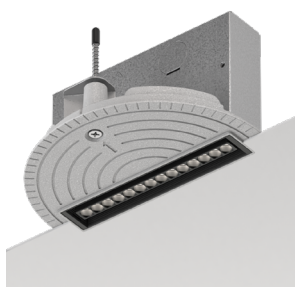
SLD-5-30K-SO-15-BK/WH



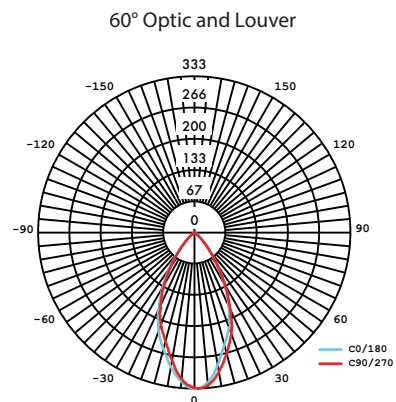
SLD-5-30K-SO-LV15-BK/WH



SLD-5-30K-SO-LV30-BK/WH

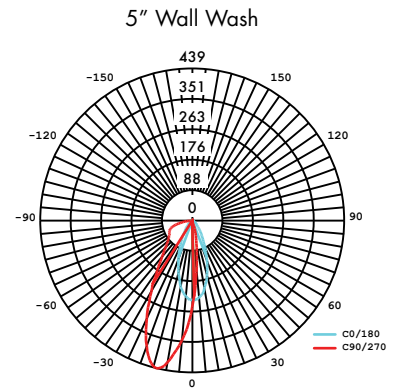
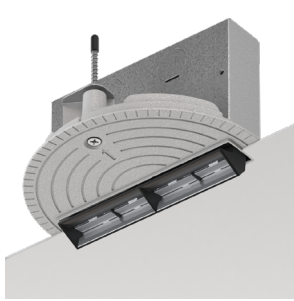


SLD-5-30K-SO-LV60-BK/WH

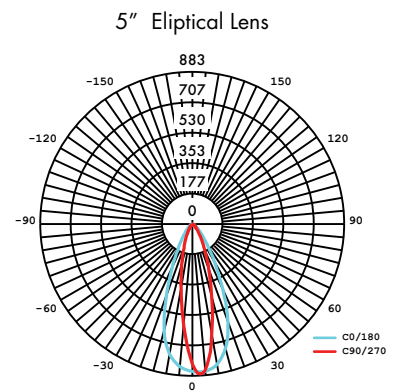
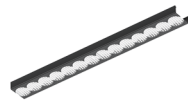
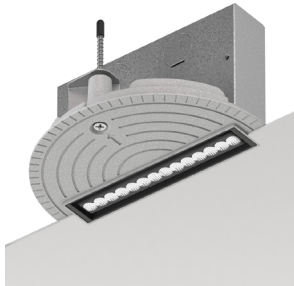


Photometry SLD-5

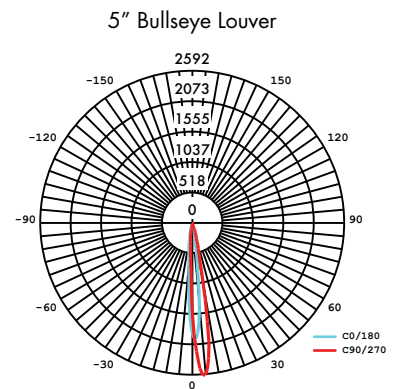
SLD-5-30K-SO-WW-BK/WH



SLD-5-30K-SO-EL-BK/WH

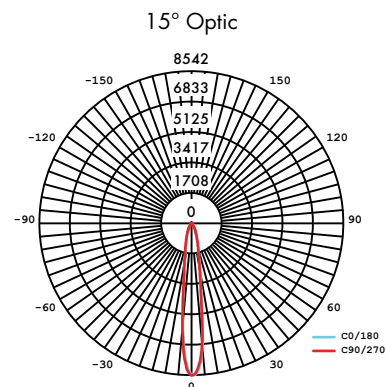
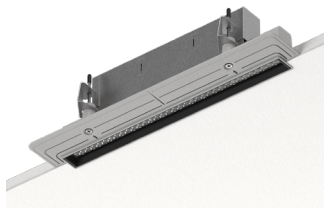


SLD-5-30K-SO-LU-BK/WH

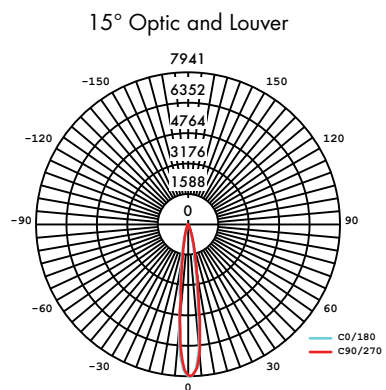
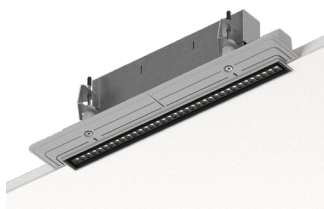


Photometry SLD-12

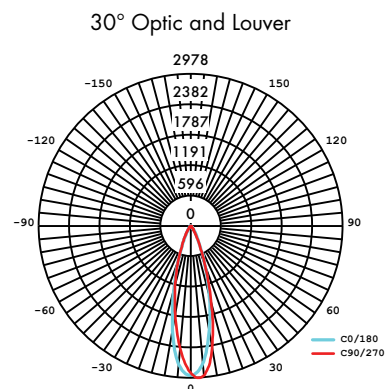
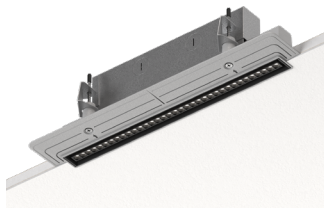
SLD-12-30K-SO-15-BK/WH



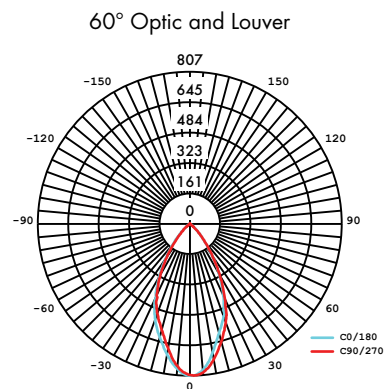
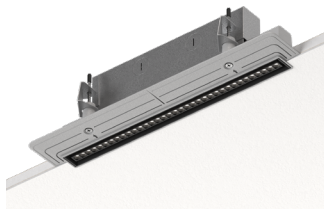
SLD-12-30K-SO-LV15-BK/WH



SLD-12-30K-SO-LV30-BK/WH

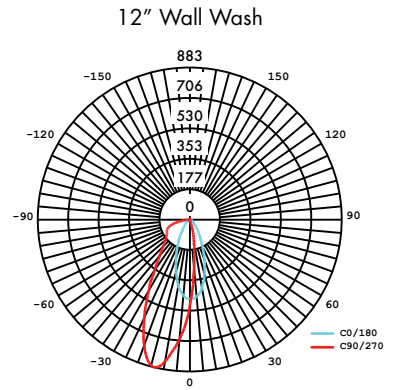
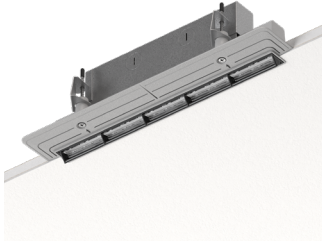


SLD-12-30K-SO-LV60-BK/WH

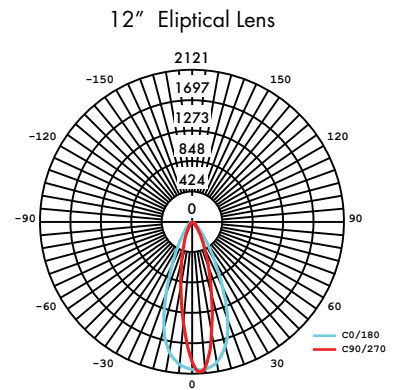
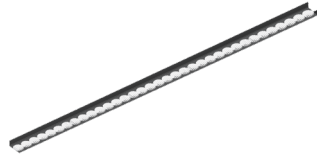
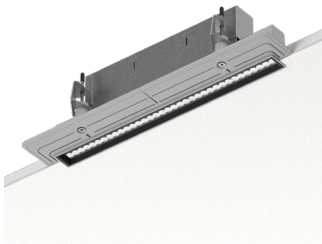


Photometry SLD-12

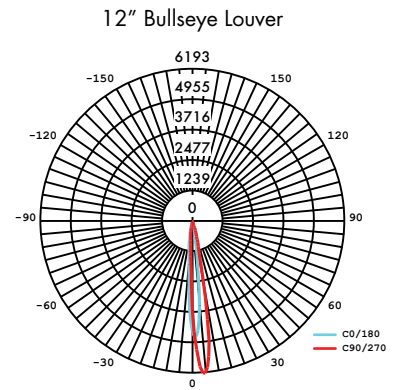
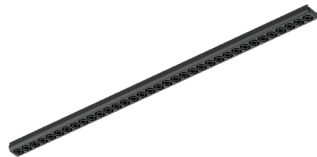
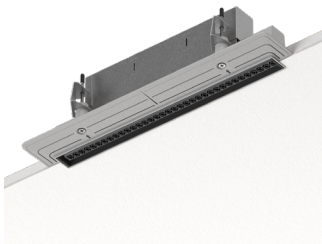
SLD-12-30K-SO-WW-BK/WH



SLD-12-30K-SO-EL-BK/WH

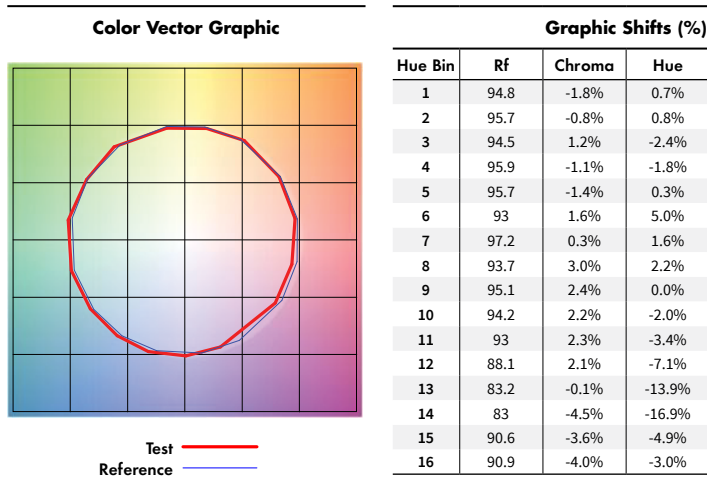


SLD-12-30K-SO-LU-BK/WH

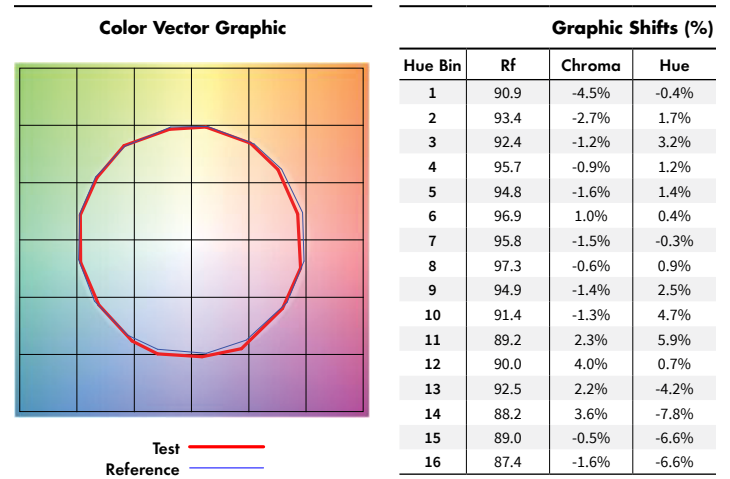


TM-30-15-Data

18K CCT



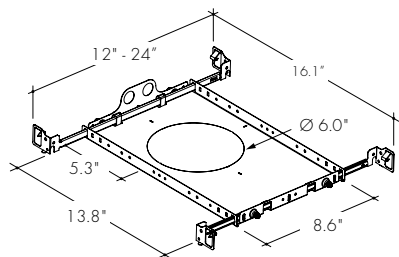
35K CCT



Mounting Options (optional)

RMP-5-L-R

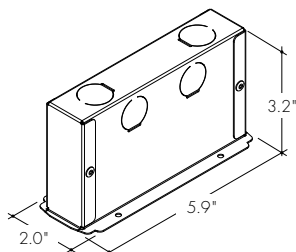
Recessed New Construction Mounting Pan, 5" Trimless Linear Downlight



Includes Hanger Bar set (PF-HB-ALL), extendable from 14" to 24". Knock-outs are Ø0.875".

JB-5L

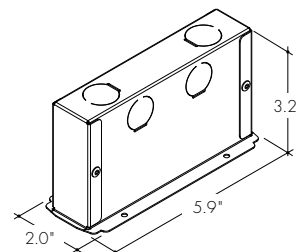
Junction Box 5" Trimless Linear Downlight



Junction box for wire termination and to create an Airtight enclosure.

JB-5L-CP

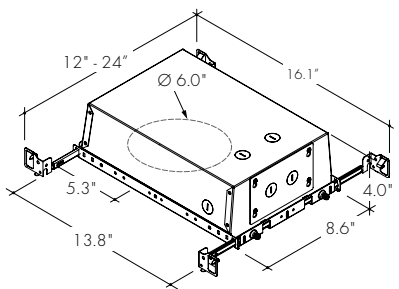
Chicago Plenum Junction Box, 5" Trimless Linear Downlight



Junction box for wire termination and to create a Chicago Plenum rated enclosure.

RHI-5-L-R

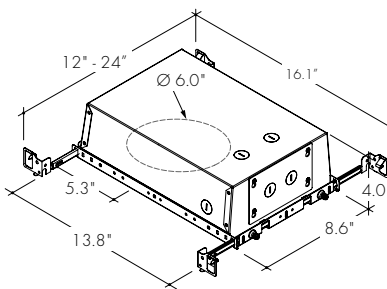
Recessed New Construction Housing, IC Rated, 5" Trimless Linear Downlight



Includes Hanger Bar set (PF-HB-ALL), extendable from 14" to 24". Knock-outs are Ø0.875". Can be used for spray foam insulation.

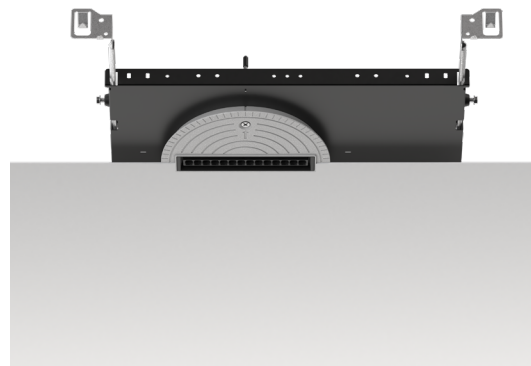
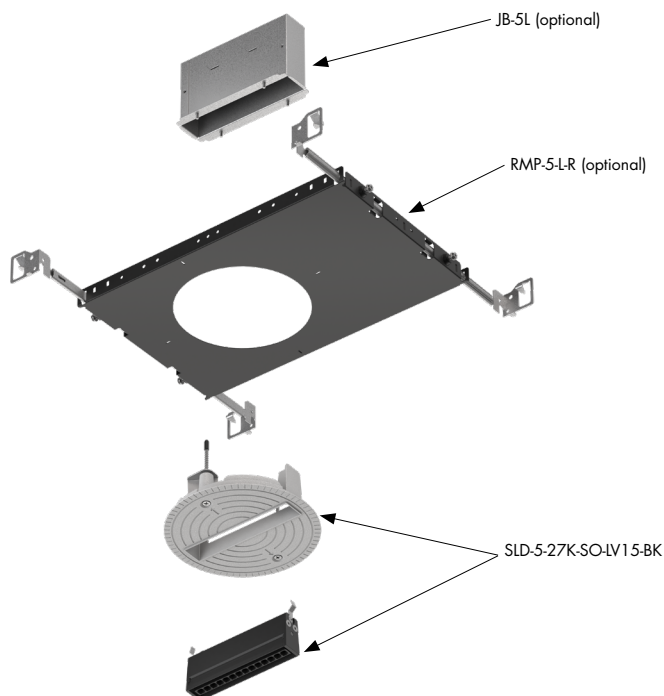
RHC-5-L-R

Recessed New Construction Housing, Chicago Plenum Rated 5" Trimless Linear Downlight



Includes Hanger Bar set (PF-HB-ALL), extendable from 14" to 24". Knock-outs are Ø0.875". Can be used for spray foam insulation.

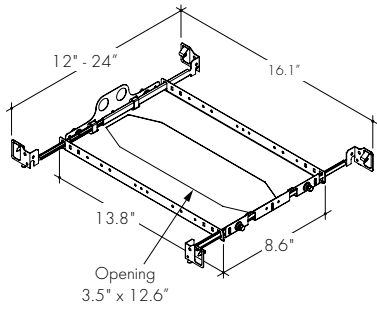
Components



Mounting Options (optional)

RMP-12-L-R

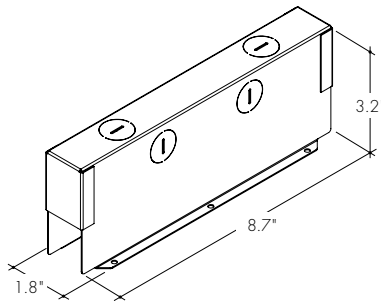
Recessed New Construction Mounting Pan, 12" Trimless Linear Downlight



Includes Hanger Bar set (PF-HB-ALL), extendable from 14" to 24". Knock-outs are Ø0.875".

JB-12L

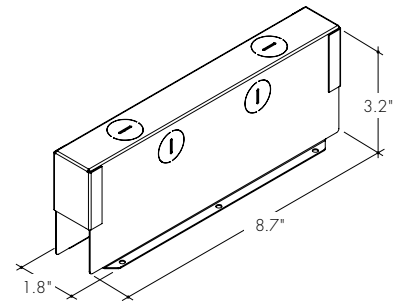
Junction Box 12" Trimless Linear Downlight



Junction box for wire termination and to create an Airtight enclosure.

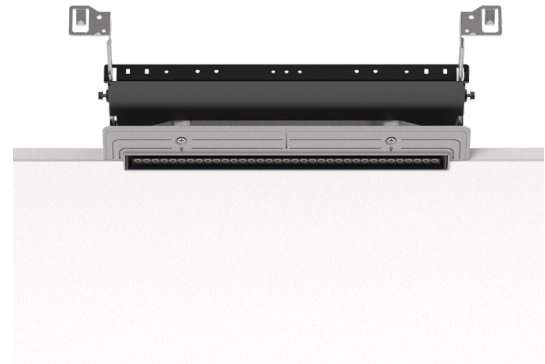
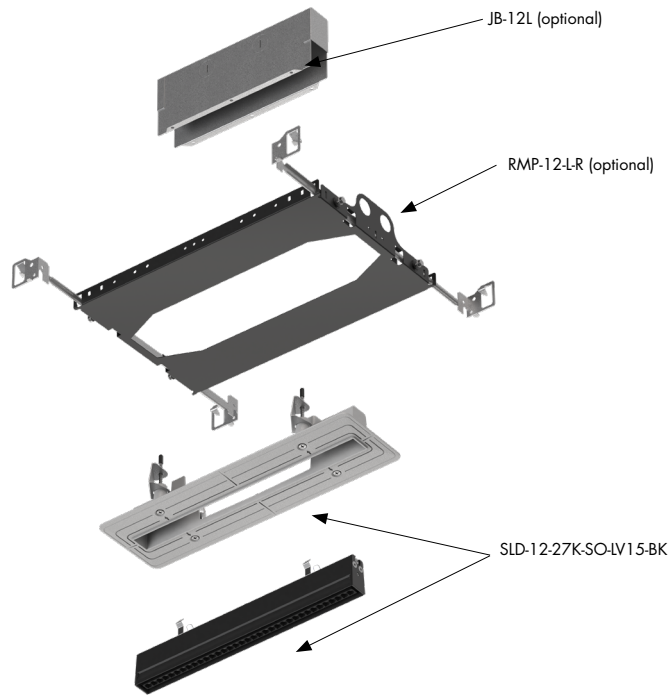
JB-12L-CP

Chicago Plenum Junction Box, 12" Trimless Linear Downlight



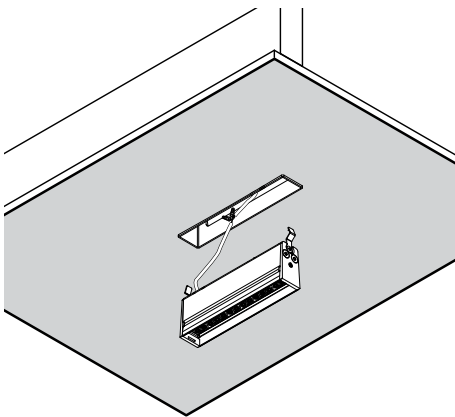
Junction box for wire termination and to create a Chicago Plenum rated enclosure.

Components

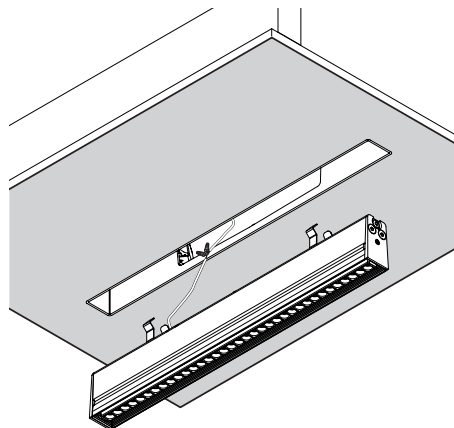


Field Serviceability

SLD-5



SLD-12



Power Supplies

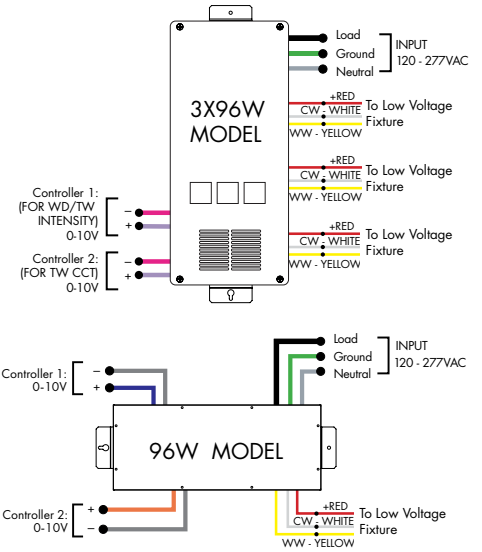
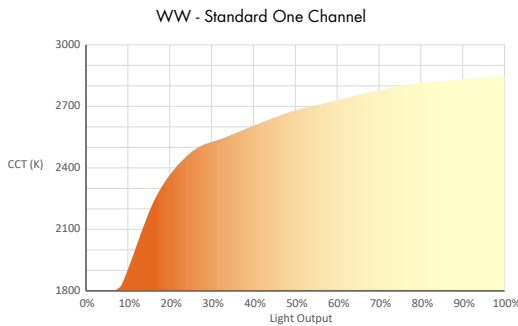
See fixture and power supply instructions & spec sheet for wiring information. Dimming possible in select models - view luminii website for list of compatible dimmers.

Ordering Code **VintageDim® 0 - 10V Dimming Power Supplies 0.1% 120VAC - 277VAC**

MODEL	INPUT CONTROL	ENVIRONMENT	WATTAGE	OUTPUT
PS - Power Supply, 120-277VAC	010V-WD - 0-10V Dimming (0.1%), Standard Warm Dim Curve (with Tunable White LED) 010V-TW - 0-10V Dimming (0.1%), Two Channel Control, Brightness and CCT1-CCT2 Ratio 010V-2CH - 0-10V Dimming (0.1%), Two Channel Control, LED1 Brightness and LED2 Brightness 010V-WDX - 0-10V Dimming (0.1%), Customizable Warm Dim Curve (with Tunable White LED) 010V-2CHX - 0-10V Dimming (0.1%), Two Channel Control, Customizable Brightness and CCT1-CCT2 Ratio	D-Dry	96 - 96 Watts 3X96 - 3x96 Watts ¹	24 - 24 VDC

1 - 3x96 is only available with input control options 010V-WD and 010V-TW
2 - Athena only available on 96 watts option

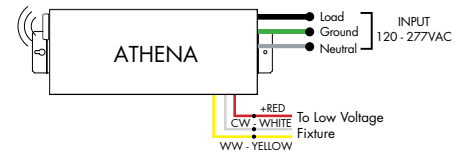
MODELS	96W	3X96
Length	14.40"	15.00"
Width	5.20"	6.62"
Depth	2.60"	4.56"



Athena 0-10V Warm Dim LED Driver

MODEL	INPUT CONTROL	ENVIRONMENT	WATTAGE	OUTPUT	FEATURE
PS - Power Supply, 120-277VAC	010V-WD - 0-10V Dimming, Standard Warm Dim Curve (with Dynamic White LED)	D-Dry	96-96 W	24-24 VDC	AWNDR-Athena

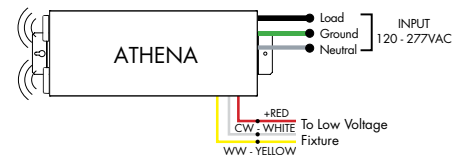
MODELS	96W
Length	14.40"
Width	5.20"
Depth	2.60"



Athena 0-10V Two Channel LED Driver

MODEL	INPUT CONTROL	ENVIRONMENT	WATTAGE	OUTPUT	FEATURE
PS - Power Supply, 120-277VAC	010V-2CH - 0-10V Dimming Two Channel Control, LED1 Brightness and LED2 Brightness	D-Dry	96-96 W	24-24 VDC	AWNDR-Athena

MODELS	96W
Length	14.40"
Width	5.20"
Depth	2.60"



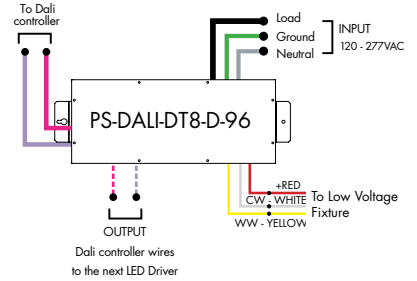
Power Supplies

See fixture and power supply instructions & spec sheet for wiring information. Dimming possible in select models - view luminii website for list of compatible dimmers.

Ordering Code DALI2 Dimming Power Supplies 0.1% 120VAC - 277VAC

MODEL	INPUT CONTROL	ENVIRONMENT	WATTAGE	OUTPUT	OUTPUT CONTROL
PS - Power Supply, 120-277VAC	DALI-DT8 - DALI DT8 Tunable White (0.1%)	D - Dry	96-96 Watts	24-24 VDC	PWM - Pulse Width Modulation

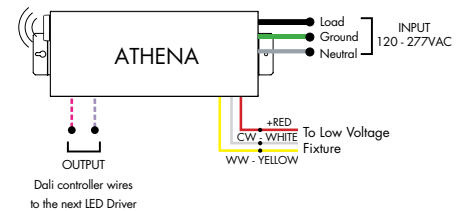
MODELS	96W
Length	14.40"
Width	5.20"
Depth	2.60"



Athena DALI2-DT8 LED Driver

MODEL	INPUT CONTROL	ENVIRONMENT	WATTAGE	OUTPUT	FEATURE
PS - Power Supply, 120-277VAC	DALI-DT8 - DALI DT8 Tunable White	D - Dry	96-96 W	24-24 VDC	AWNDR - Athena

MODELS	96W
Length	14.40"
Width	5.20"
Depth	2.60"



Ordering Code DMX Dimming Power Supplies 0.1% 120VAC - 277VAC Requires Controller

MODEL	INPUT CONTROL	ENVIRONMENT	WATTAGE	OUTPUT
PS - Power Supply, 120-277VAC	DMX-DMX (0.1%)	D - Dry	96-96 Watts 3X96-3X96 Watts	24-24 VDC

MODELS	96W	3X96
Length	14.40"	15.00"
Width	5.20"	6.62"
Depth	2.60"	4.56"

