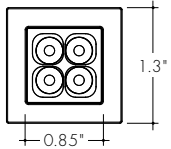


**Features**

- 1.3" trim packs high performance and punch from an incredibly small downlight
- Magnetic retention for interchangeable optics allows for easy beam adjustment in the field
- Constant Voltage design simplifies installation, allowing multiple downlights to operate from a single Power Supply
- Wet Rated, Airtight Rated
- Constant force spring maintains consistent tension, and no sag, for ceiling thicknesses from 0.375" up to 2.0"
- 24VDC Class 2 fixtures and power supplies
- IC rated with LO Output, or IC Rated with SO Output and RHI/RHC housings
- L90 > 50k hours
- 5 year warranty



**Finish Options**

- Black
- White



**Technical Information**

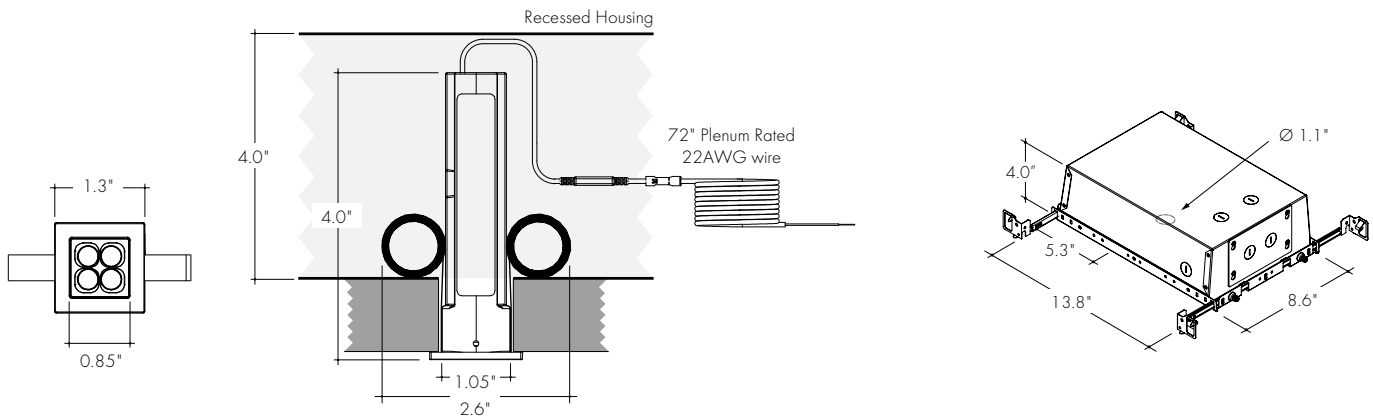
OUTPUT	SO <sup>1</sup>				
OPTIC	R15 <sup>2</sup>	R30 <sup>2</sup>	LV15	LV30	LV60
Lumen Output (3000K)	610 lm	633 lm	461 lm	445 lm	364 lm
Beam Spread (FWHM)	15°	26°	15°	29°	58°
Center Beam Candlepower (candela)	3924 cd	2481 cd	3981 cd	1300 cd	399 cd
Power Consumption	7.2 W				
Efficacy	85 lm/W	88 lm/W	62lm/W	60 lm/W	50 lm/W
Aesthetic	Regressed Baffle			Louver	

1 - For LO output, 4 VV, multiple table values (Lumen Output and Center Beam Candlepower) by 55%

2 - Tested with VWhite Regressed Baffle

CCT	Multiplier (reference - 3000K)	TM-30			
		CRI	R <sub>f</sub>	R <sub>g</sub>	R <sub>9</sub>
2700K	0.96	93	93	98	56
3000K	1.00	94	91	97	60
3500K	1.07	94	92	99	63
4000K	1.11	92	91	99	59

**Product Dimensions**



Stenos 1" Square Trimmed Downlight

Recessed Housing  
Note: RHI or RHC required for SO Output

**Ordering Code**

MODEL	SIZE	TRIM	TYPE	CCT	OUTPUT	OPTIC	FINISH
SD - Stenos Downlight	1D - 1" Square	T - Trimmed, 1.3"	F - Fixed	27K - 2700K 30K - 3000K 35K - 3500K 40K - 4000K	SO - Standard LO - Low, 4V	LV15 - 15° optic + Louver LV30 - 30° optic + Louver LV60 - 60° optic + Louver R15 - 15° optic Regressed Baffle R30 - 30° optic Regressed Baffle <sup>1</sup>	BK - Black WH - White

1 - R30 fixture is not field convertible to other optic options.

**Ordering Code Housing**

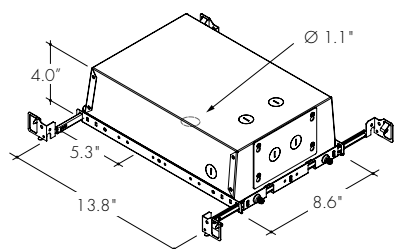
MODEL	SIZE	TRIM	HOUSING
RHI - Recessed New Construction Housing, IC Rated	1D - 1" Square Downlight	T - Trimmed	R - Remote Power Supply <sup>1</sup>
RHC - Recessed New Construction Housing, Chicago Plenum Rated			
RMP - Recessed New Construction Mounting Pan			

1 - See Power Supplies section for compatible list. Available as Remote mounting only.

## Mounting Options

### RHI-1D-T-R

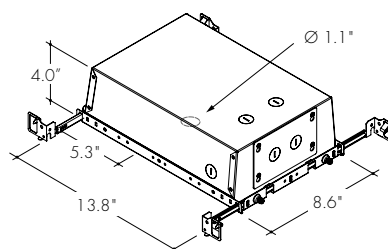
Recessed New Construction Housing, IC Rated, 1" Square Trimmed Downlight



Includes Hanger Bar set (PF-HB-ALL), extendable from 14" to 24". Knock-outs are  $\varnothing 0.875"$ . Can be used for spray foam insulation. A Housing is required for SO Standard Output.

### RHC-1D-T-R

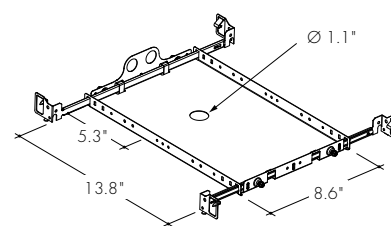
Recessed New Construction Housing, Chicago Plenum, 1" Square Trimmed Downlight



Includes Hanger Bar set (PF-HB-ALL), extendable from 14" to 24". Knock-outs are  $\varnothing 0.875"$ . Can be used for spray foam insulation. A Housing is required for SO Standard Output.

### RMP-1D-T-R

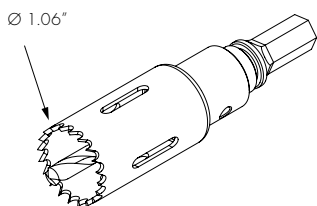
Recessed New Construction Mounting Pan, 1" Square Trimmed Downlight



Includes Hanger Bar set (PF-HB-ALL), extendable from 14" to 24". Knock-outs are  $\varnothing 0.875"$ .

### HS-27MM

Hole Saw and Shank, 27MM

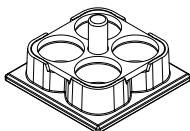


Use to drill a precision hole

## Accessories

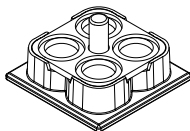
### SAC-LV15-1D-XX

Stenos Accessory, 15° Optic and Louver



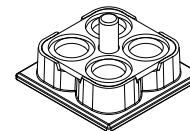
### SAC-LV30-1D-XX

Stenos Accessory, 30° Optic and Louver



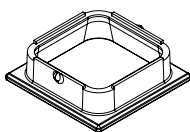
### SAC-LV60-1D-XX

Stenos Accessory, 60° Optic and Louver



### SAC-R-1D-XX

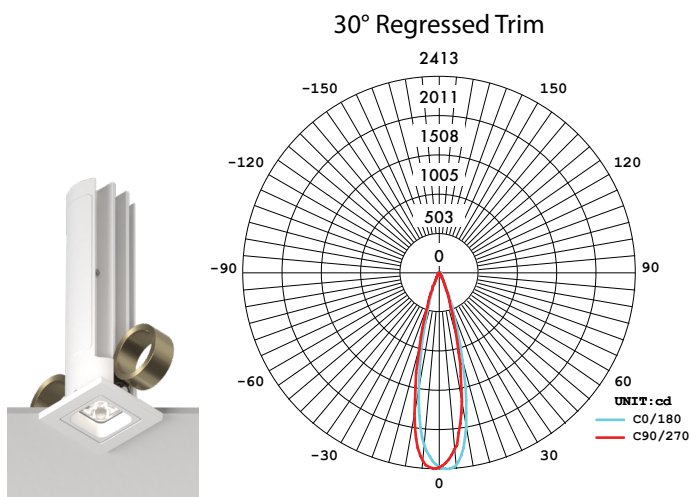
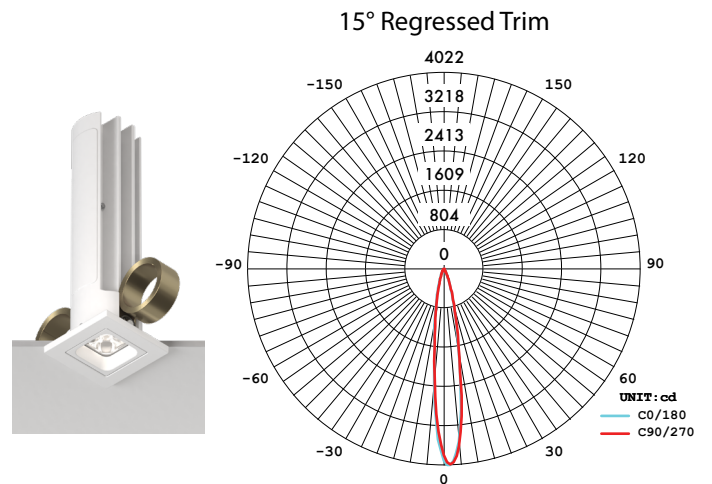
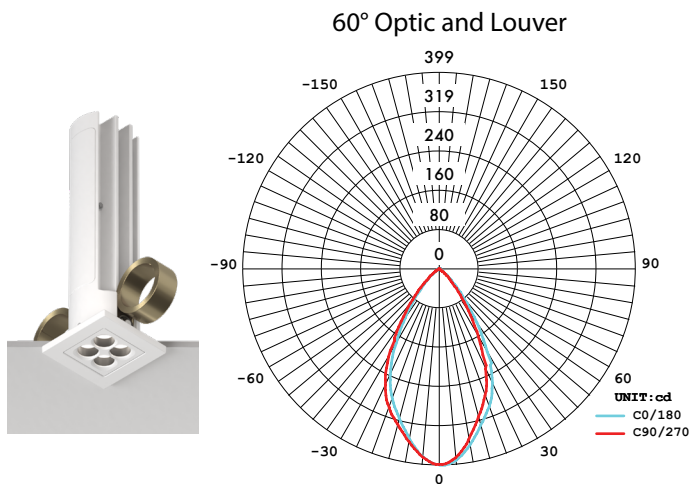
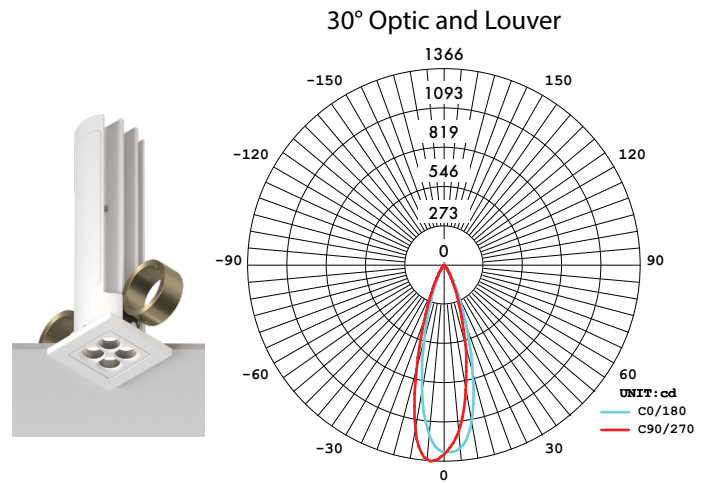
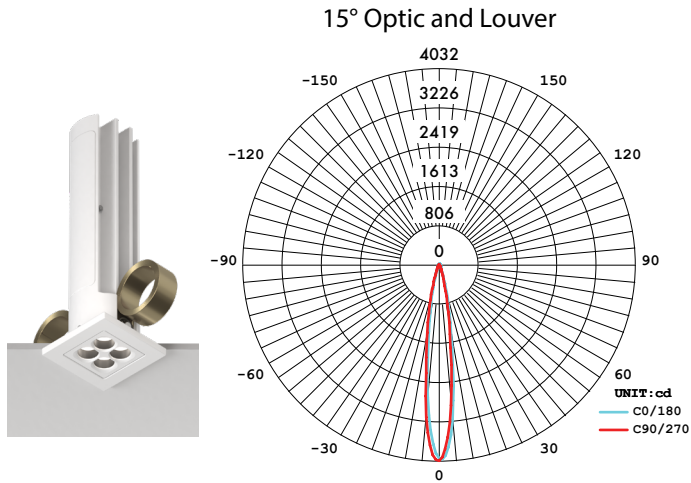
Regressed Baffle



XX	Color
WH	White
BK	Black

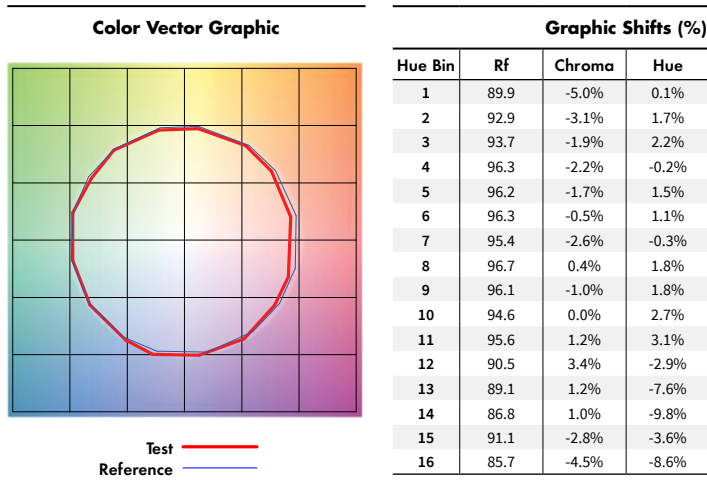
Photometry

Standard Output

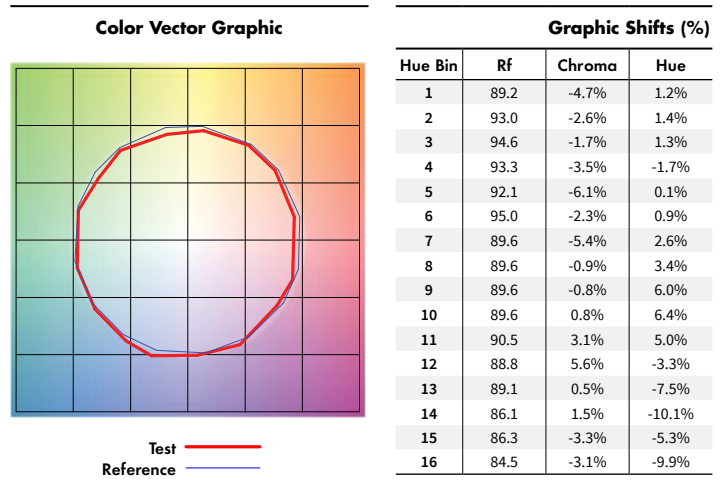


TM-30-15-Data

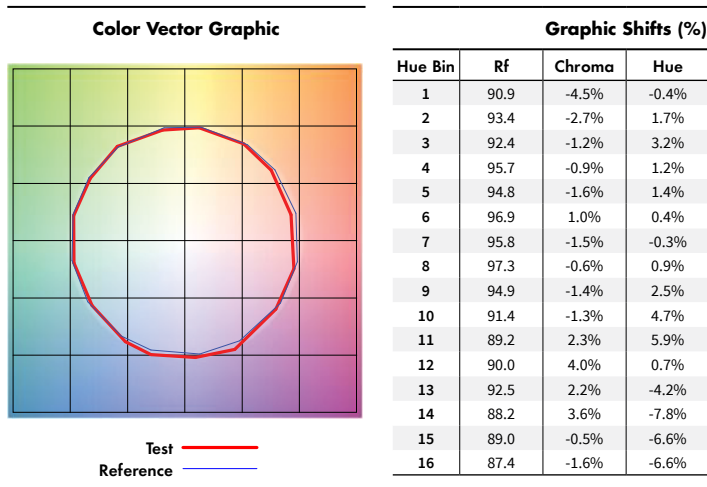
27K CCT



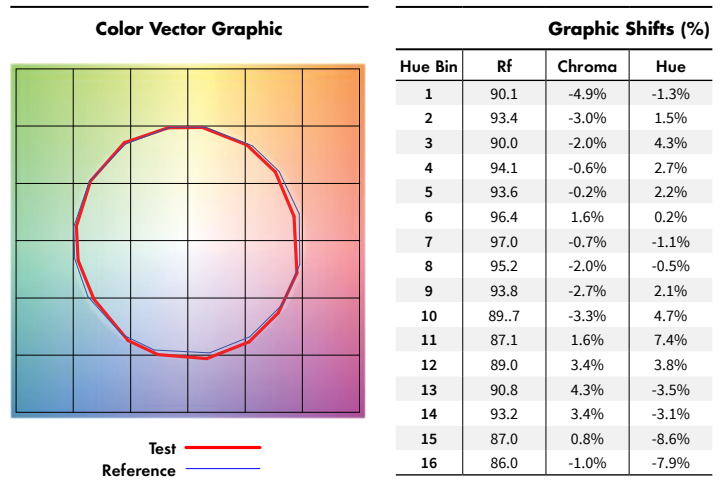
30K CCT



35K CCT



40K CCT



**Power Supplies**

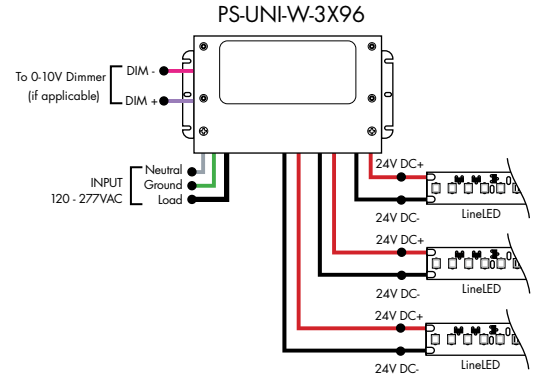
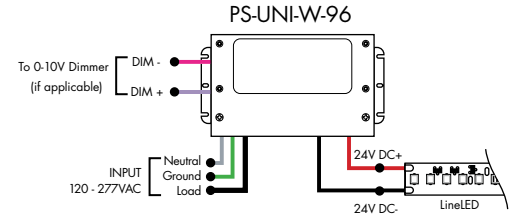
See Power Supply instructions and spec sheet for wiring information. For a complete list of compatible dimmers, see Compatible Dimming Chart on the Resources page.

**Ordering Code Universal Dimming Power Supplies 1% 120VAC - 277VAC**

MODEL	INPUT CONTROL	ENVIRONMENT	WATTAGE	OUTPUT
PS-Power Supply, 120-277VAC	UNI-0-10V Dimming, Phase Dimming	W-Wet	30-30 Watts 60-60 Watts 96-96 Watts 3x96-3x96 Watts	24-24 VDC

Compatibility: View a complete list of compatible dimmers on product page ([Link](#))

0-10V - 1% dimming  
MLV/ELV/TRIAC - 1% dimming, consult dimming compatibility chart



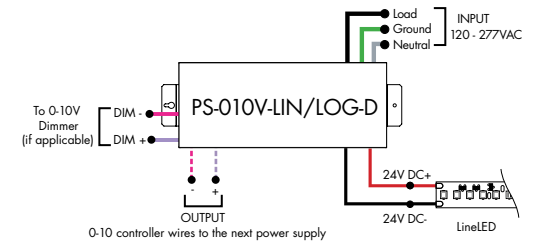
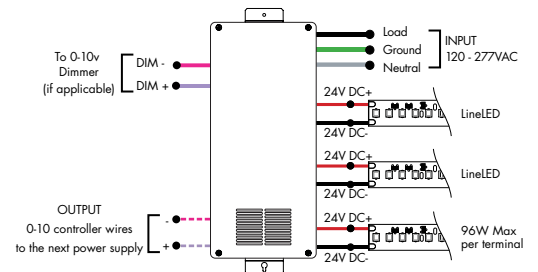
MODELS	PS-UNI-W-30W	PS-UNI-W-60W	PS-UNI-W-96W	PS-UNI-W-3X96W
<b>Length</b>	6.50"	7.40"	8.66"	11.85"
<b>Width</b>	3.73"	3.73"	3.73"	4.32"
<b>Depth</b>	1.61"	1.61"	1.61"	1.81"

**Ordering Code 0-10V Dimming Power Supplies 0.1% 120VAC - 277VAC**

MODEL	INPUT CONTROL	ENVIRONMENT	WATTAGE	OUTPUT
PS-Power Supply, 120-277VAC	010V-LIN-0-10V Dimming (0.1%), Linear 010V-LOG-0-10V Dimming (0.1%), Logarithmic	D-Dry	96-96 Watts 3X96-3x96 Watts	24-24 VDC

MODELS	96W	3X96
<b>Length</b>	14.40"	15.00"
<b>Width</b>	5.20"	6.62"
<b>Depth</b>	2.60"	4.45"

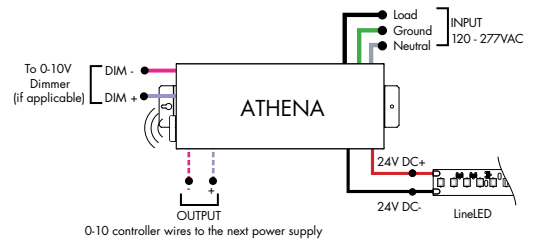
**PS-010V-LIN/LOG-D-3X96**



**Athena 0-10V LED Driver**

MODEL	INPUT CONTROL	ENVIRONMENT	WATTAGE	OUTPUT	FEATURE
PS-Power Supply, 120-277VAC	010V-LIN-0-10V Dimming, Linear 010V-LOG-0-10V Dimming, Logarithmic	D-Dry	96-96 W	24-24 VDC	AWN-R-Athena

MODELS	96W
<b>Length</b>	14.40"
<b>Width</b>	5.20"
<b>Depth</b>	2.60"



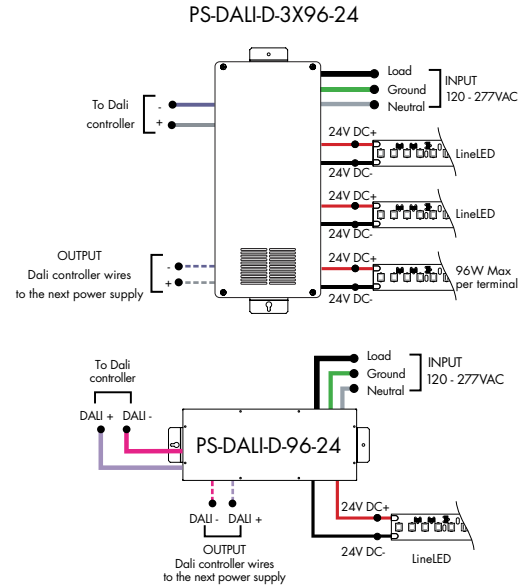
**Power Supplies**

See Power Supply instructions and spec sheet for wiring information. For a complete list of compatible dimmers, see Compatible Dimming Chart on the Resources page.

**Ordering Code DALI1 Dimming Power Supplies 0.1% 120VAC - 277VAC**

MODEL	INPUT CONTROL	ENVIRONMENT	WATTAGE	OUTPUT
PS-Power Supply, 120-277VAC	DALI-DALI (0.1%)	D-Dry	96-96 Watts 3X96-3X96 Watts	24-24 VDC

Model	96W	3X96
Length	14.40"	15.00"
Width	5.20"	6.62"
Depth	2.60"	4.56"

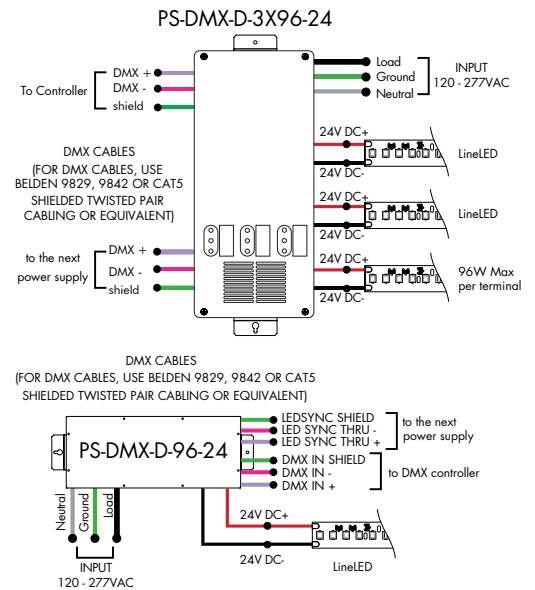


**Ordering Code DMX Dimming Power Supplies 0.1% 120VAC - 277VAC** Requires Zonal Control

MODEL	INPUT CONTROL	ENVIRONMENT	WATTAGE	OUTPUT
PS-Power Supply, 120-277VAC	DMX-DMX (0.1%)	D-Dry	96-96 Watts 3X96-3X96 Watts	24-24 VDC

\*Zonal control power supplies. Control multiple tapes/zones using DMX channels.

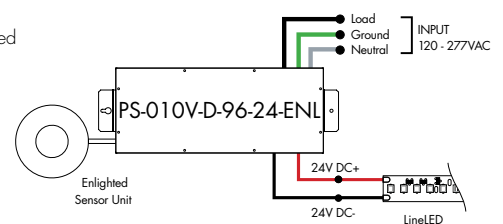
MODELS	96W	3X96
Length	14.40"	15.00"
Width	5.20"	6.62"
Depth	2.60"	4.56"



**Ordering Code Enlightened Enabled Dimming Power Supplies 1% 120VAC - 277VAC**

MODEL	INPUT CONTROL	ENVIRONMENT	WATTAGE	OUTPUT	FEATURE
PS-Power Supply, 120-277VAC	010V-0-10V Dimming (1%)	D-Dry	96-96 Watts	24-24 VDC	ENL-0-10V Enlightened

Model	96W
Length	14.40"
Width	5.20"
Depth	2.60"

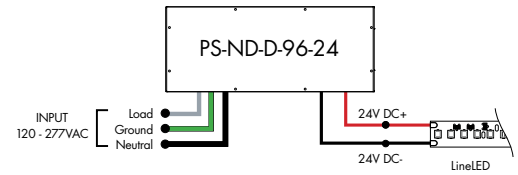


**Power Supplies**

See Power Supply instructions and spec sheet for wiring information. For a complete list of compatible dimmers, see Compatible Dimming Chart on the Resources page.

**Ordering Code Non-Dimming Power Supply 120VAC - 277VAC**

MODEL	INPUT CONTROL	ENVIRONMENT	WATTAGE	OUTPUT
PS - Power Supply, 120-277VAC	ND - Non Dimming	D - Dry	96-96 Watts	24 - 24 VDC



MODELS	96W
<b>Length</b>	14.40"
<b>Width</b>	5.20"
<b>Depth</b>	2.60"

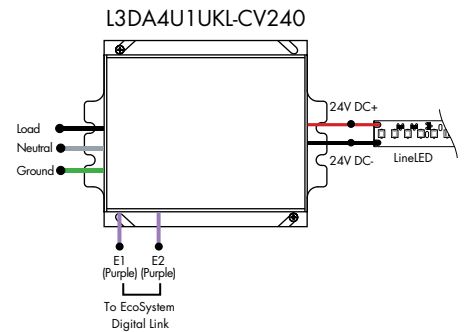
**LUTRON<sup>®</sup>**

Luminii is a Lutron OEM Advantage Partner  
**Lutron Power Supplies 1%**

MODEL

<b>L3DA4U1UKL-CV240</b>
-------------------------

HiLume™ 1% EcoSystem Voltage LED driver  
40W max



MODELS	L3DA4U1UKL-CV240
<b>Length</b>	4.98"
<b>Width</b>	4.00"
<b>Depth</b>	2.62"

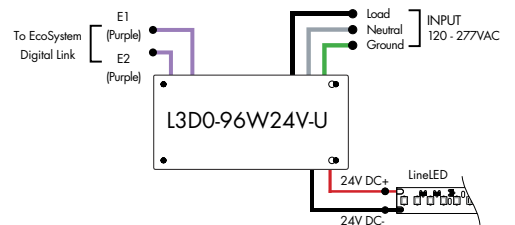
**LUTRON<sup>®</sup>**

Luminii is a Lutron OEM Advantage Partner  
**Lutron Power Supplies 0.1%**

MODEL

<b>L3D0-96W24V-U</b>
----------------------

HiLume™ 0.1% EcoSystem Voltage LED Driver with Soft-On, Fade-to-Black™  
96W max



MODELS	L3D0
<b>Length</b>	10.50"
<b>Width</b>	5.50"
<b>Depth</b>	2.00"