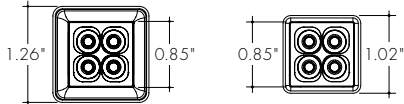


Track Head Features

- Flawless beam quality from a unique square micro optic form factor
- Modular field replaceable TIR optics available in 15°, 30°, and 60° beams
- One handed installation and removal for simple setup and reconfiguration
- Rotate track heads 180° to quickly change between track channel 1 and channel 2
- Available in two sizes and outputs, four CCTs
- L90 > 50k hours
- 24 VDC Class 2 power supply



Finish Options

- Black
- White



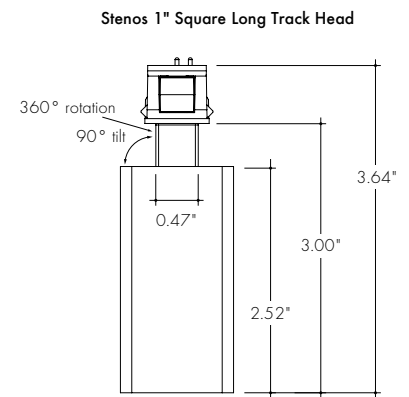
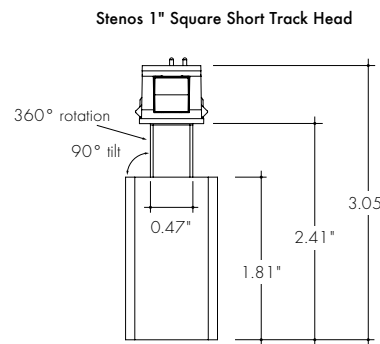
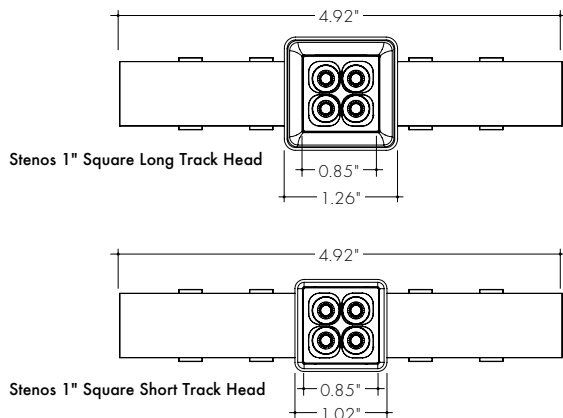
Technical Information

SIZE	1L (Long)				1S (Short)			
	R15°	LV15	LV30	LV60	R15°	LV15	LV30	LV60
Lumen Output (3000K)	565 lm	443 lm	426 lm	341 lm	458 lm	339 lm	329 lm	260 lm
Beam Spread (FWHM)	15°	15°	30°	60°	15°	15°	30°	60°
CBCP	3382 cd	3255 cd	980 cd	343 cd	2792 cd	2731 cd	779 cd	277 cd
Power Consumption	6.6 W				5.2 W			
Efficacy	86 lm/W	67 lm/W	65 lm/W	52 lm/W	88 lm/W	65 lm/W	63 lm/W	50 lm/W
Aesthetic	Regressed Baffle	Louver			Regressed Baffle	Louver		

CCT	Multiplier (ref. - 3000K)	TM-30			
		CRI	R _f	R _g	R ₉
2700K	0.96	93	93	98	56
3000K	1.00	94	91	97	60
3500K	1.07	94	92	99	63
4000K	1.11	92	91	99	59

*Tested with White Regressed Baffle

Product Dimensions



Ordering Code

MODEL	SIZE	TRIM	TYPE	CCT	OUTPUT	OPTIC	FINISH
SH - Stenos Head	1S - 1" Square Short (1.5") 1L - 1" Square Long (2.5")	TM - Track Mount	A - Adjustable 90° Tilt	27K - 2700K 30K - 3000K 35K - 3500K 40K - 4000K	SO - Standard	LV15 - 15° optic + Louver LV30 - 30° optic + Louver LV60 - 60° optic + Louver R15 - 15° optic Regressed Baffle	BK - Black WH - White

Ordering Code

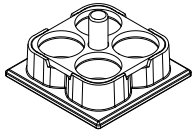
Accessories

MODEL	TYPE	SIZE	FINISH
SAC - Stenos Accessory	LV15 - 15° optic + Louver LV30 - 30° optic + Louver LV60 - 60° optic + Louver R15 - 15° optic Regressed Baffle	1D - Stenos 1" Square	BK - Black WH - White

Accessories

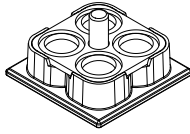
SAC-LV15-1D-XX

Stenos Accessory, 15° Optic and Louver



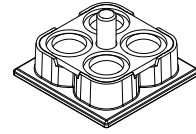
SAC-LV30-1D-XX

Stenos Accessory, 30° Optic and Louver



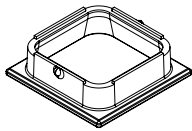
SAC-LV60-1D-XX

Stenos Accessory, 60° Optic and Louver



SAC-R-1D-XX

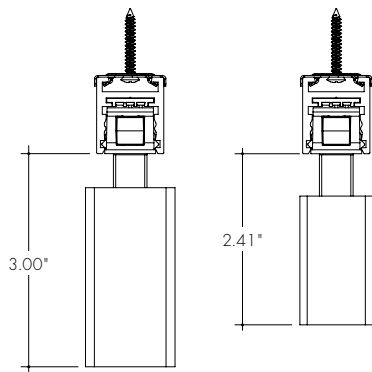
Regressed Baffle



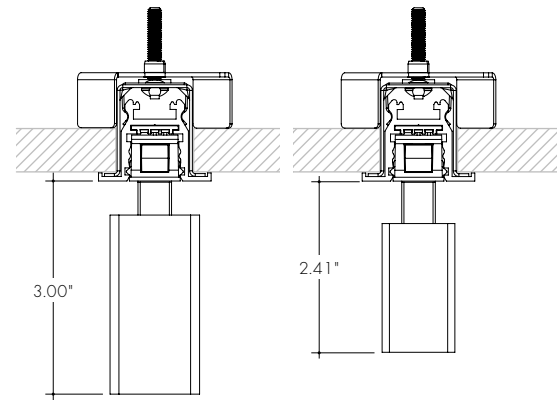
XX	Color
WH	White
BK	Black

Track Options

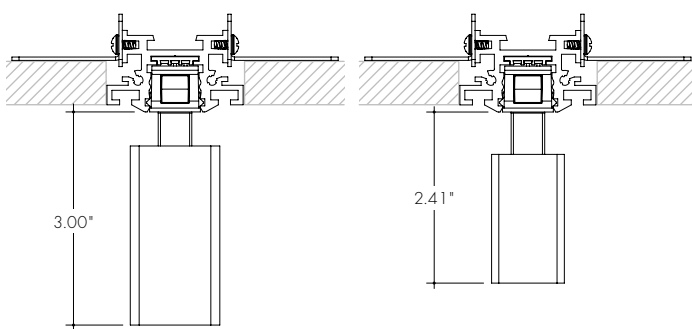
1" Trackheads in Surface or Suspended Track



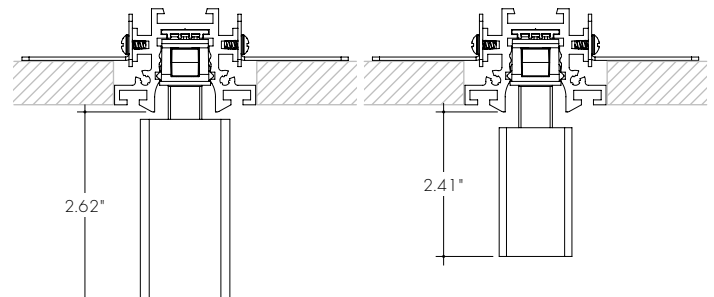
1" Trackheads in Recessed Trimmed Track



1" Trackheads in Recessed Trimless Track

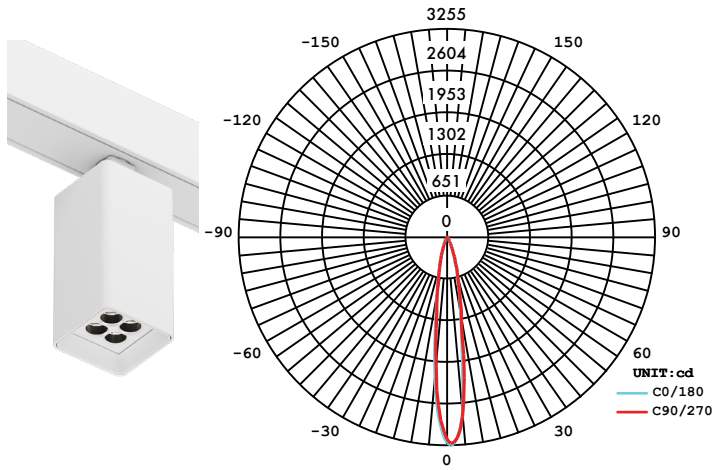


1" Trackheads in Recessed Deep Trimless Track

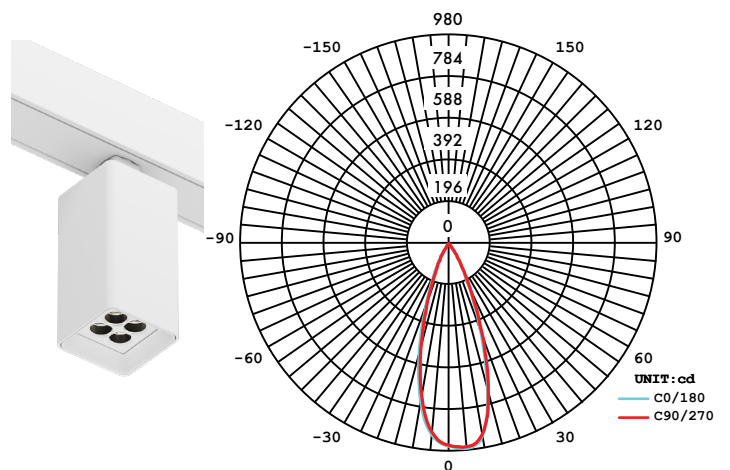


Square Long Trackhead Photometry

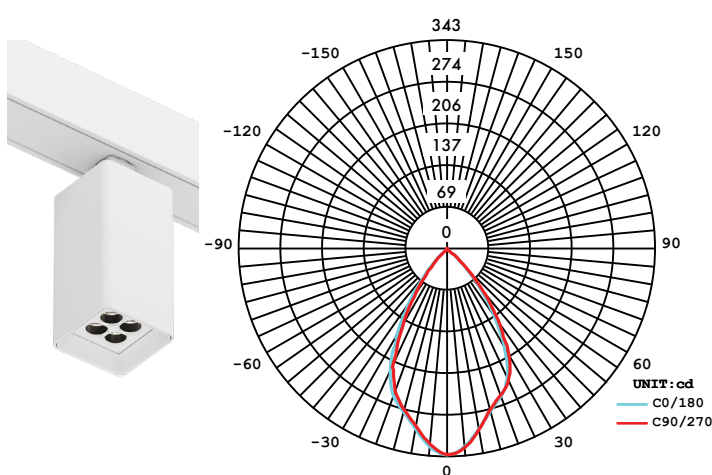
15° Optic and Louver



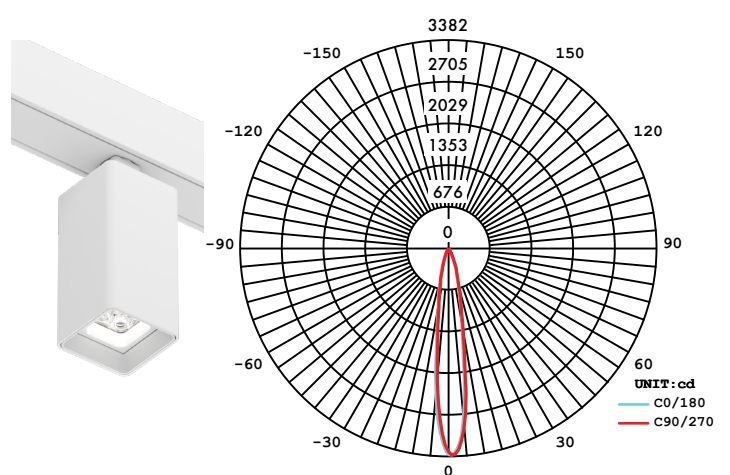
30° Optic and Louver



60° Optic and Louver

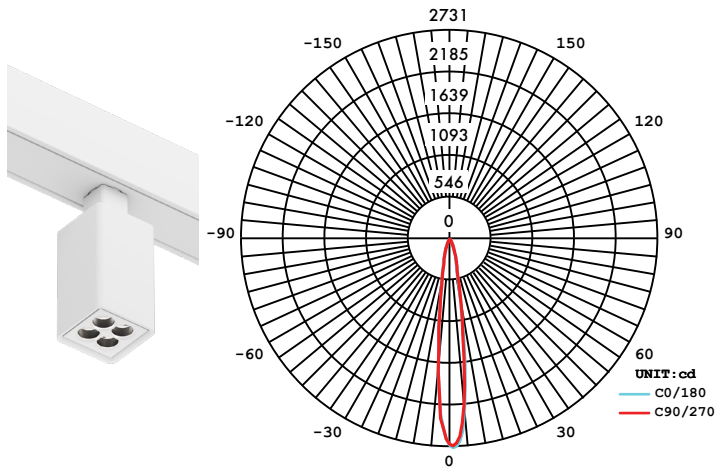


15° Regressed Trim

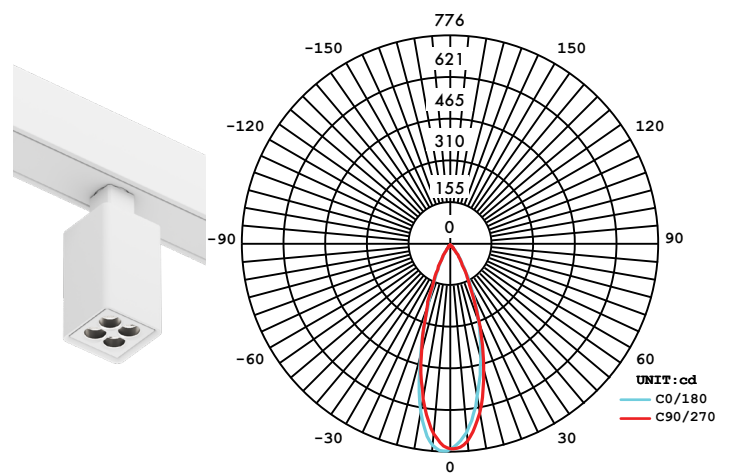


Square Short Trackhead Photometry

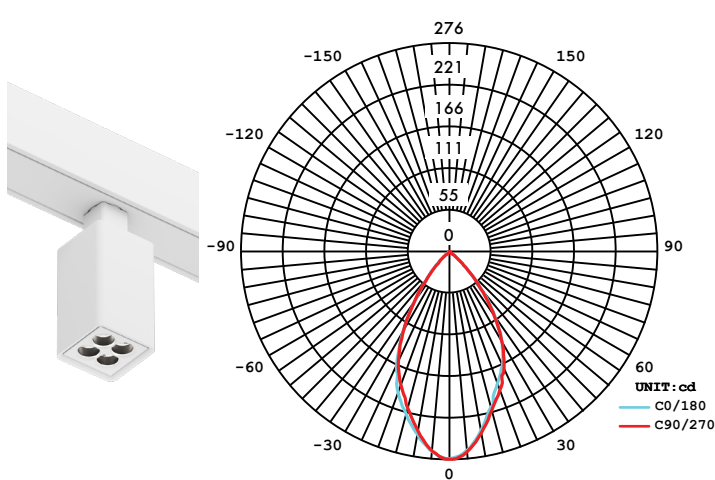
15° Optic and Louver



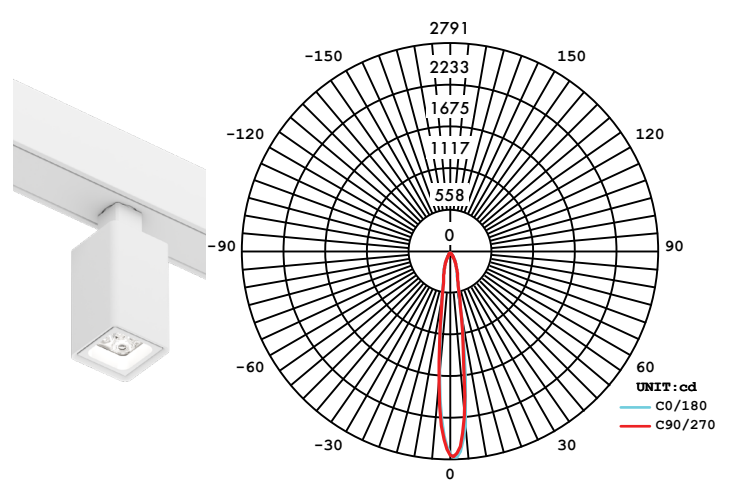
30° Optic and Louver



60° Optic and Louver

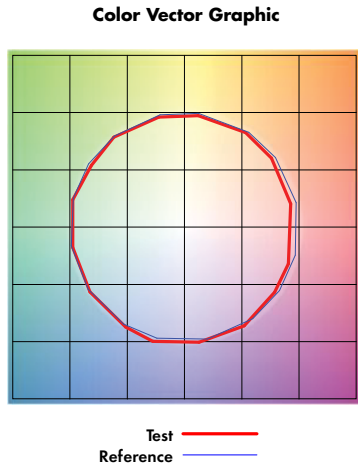


15° Regressed Trim



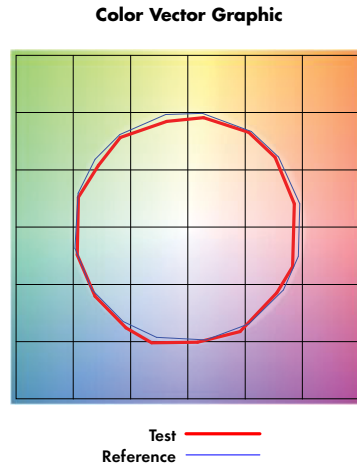
TM-30-15-Data

27K CCT



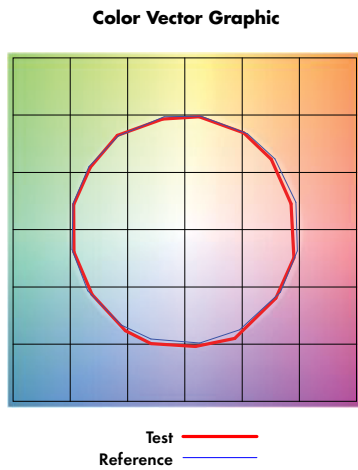
Graphic Shifts (%)			
Hue Bin	Rf	Chroma	Hue
1	89.9	-5.0%	0.1%
2	92.9	-3.1%	1.7%
3	93.7	-1.9%	2.2%
4	96.3	-2.2%	-0.2%
5	96.2	-1.7%	1.5%
6	96.3	-0.5%	1.1%
7	95.4	-2.6%	-0.3%
8	96.7	0.4%	1.8%
9	96.1	-1.0%	1.8%
10	94.6	0.0%	2.7%
11	95.6	1.2%	3.1%
12	90.5	3.4%	-2.9%
13	89.1	1.2%	-7.6%
14	86.8	1.0%	-9.8%
15	91.1	-2.8%	-3.6%
16	85.7	-4.5%	-8.6%

30K CCT



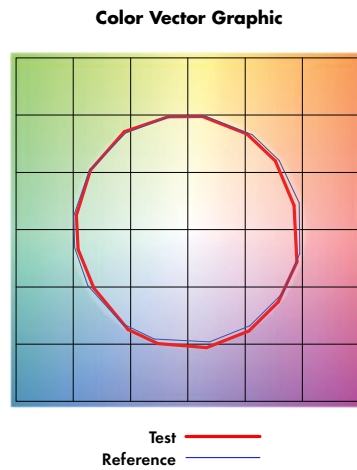
Graphic Shifts (%)			
Hue Bin	Rf	Chroma	Hue
1	89.2	-4.7%	1.2%
2	93.0	-2.6%	1.4%
3	94.6	-1.7%	1.3%
4	93.3	-3.5%	-1.7%
5	92.1	-6.1%	0.1%
6	95.0	-2.3%	0.9%
7	89.6	-5.4%	2.6%
8	89.6	-0.9%	3.4%
9	89.6	-0.8%	6.0%
10	89.6	0.8%	6.4%
11	90.5	3.1%	5.0%
12	88.8	5.6%	-3.3%
13	89.1	0.5%	-7.5%
14	86.1	1.5%	-10.1%
15	86.3	-3.3%	-5.3%
16	84.5	-3.1%	-9.9%

35K CCT

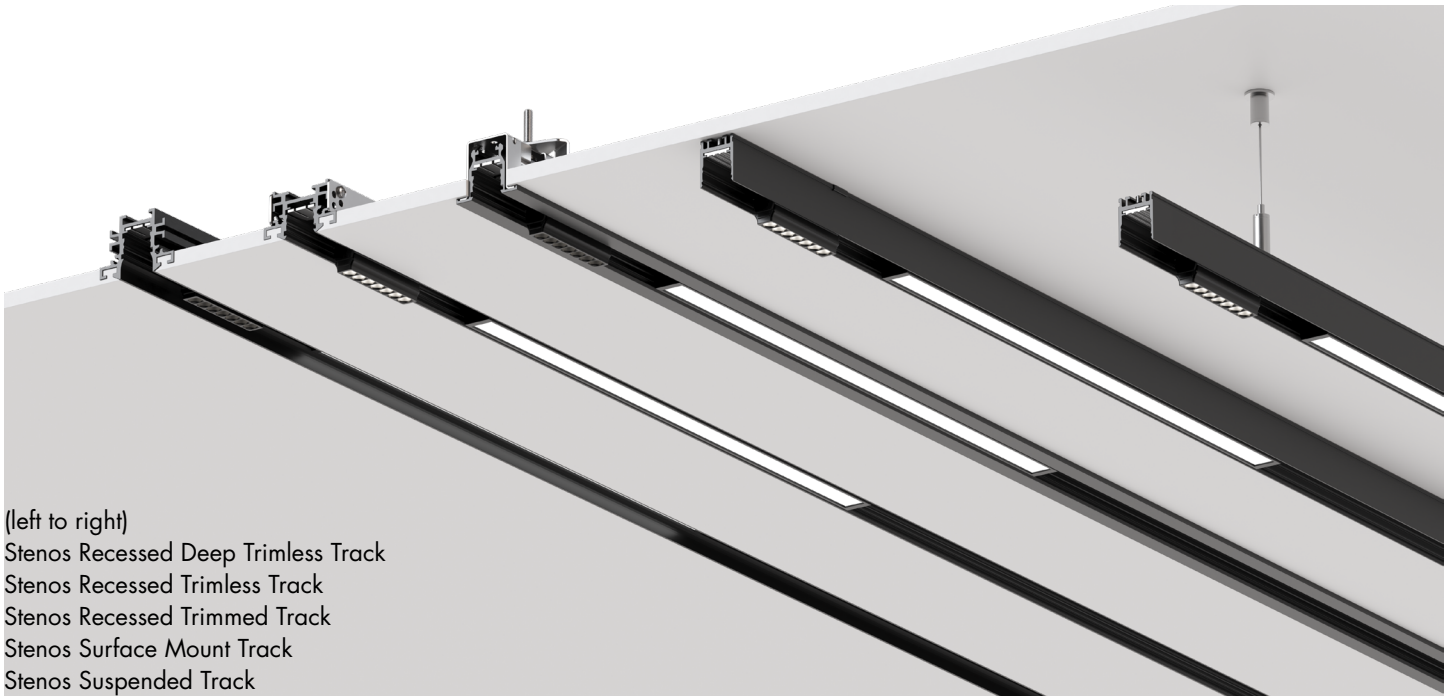


Graphic Shifts (%)			
Hue Bin	Rf	Chroma	Hue
1	90.9	-4.5%	-0.4%
2	93.4	-2.7%	1.7%
3	92.4	-1.2%	3.2%
4	95.7	-0.9%	1.2%
5	94.8	-1.6%	1.4%
6	96.9	1.0%	0.4%
7	95.8	-1.5%	-0.3%
8	97.3	-0.6%	0.9%
9	94.9	-1.4%	2.5%
10	91.4	-1.3%	4.7%
11	89.2	2.3%	5.9%
12	90.0	4.0%	0.7%
13	92.5	2.2%	-4.2%
14	88.2	3.6%	-7.8%
15	89.0	-0.5%	-6.6%
16	87.4	-1.6%	-6.6%

40K CCT



Graphic Shifts (%)			
Hue Bin	Rf	Chroma	Hue
1	90.1	-4.9%	-1.3%
2	93.4	-3.0%	1.5%
3	90.0	-2.0%	4.3%
4	94.1	-0.6%	2.7%
5	93.6	-0.2%	2.2%
6	96.4	1.6%	0.2%
7	97.0	-0.7%	-1.1%
8	95.2	-2.0%	-0.5%
9	93.8	-2.7%	2.1%
10	89.7	-3.3%	4.7%
11	87.1	1.6%	7.4%
12	89.0	3.4%	3.8%
13	90.8	4.3%	-3.5%
14	93.2	3.4%	-3.1%
15	87.0	0.8%	-8.6%
16	86.0	-1.0%	-7.9%



(left to right)
Stenos Recessed Deep Trimless Track
Stenos Recessed Trimless Track
Stenos Recessed Trimmed Track
Stenos Surface Mount Track
Stenos Suspended Track



Stenos Directional Module

Stenos Directional Module with Louver

Stenos Directional Module with Wall Wash

Stenos Ambient Module

Stenos Ambient Module with Louver

