

OVERVIEW

Stacko Aim Mid is a Constant Current miniature display lighting product. It has four beam distributions and is a part of the modular Stacko Collection allowing users to 'stack' products together to create unique lighting set-ups that comes as standard in white, black and brushed aluminium. There is 1 light engine totalling 102lm | 1.12W. Each narrow beam in our 102lm light engine has a peak intensity of 794cd. This 'Mid' module requires further modules or an end cap to close the circuit. There can only be a maximum of 10 light engines per Stacko circuit or driver. The luminaire is compatible with our Minipoint system that enables a plug and play setup where luminaires can be swapped to suit changing lighting requirements.



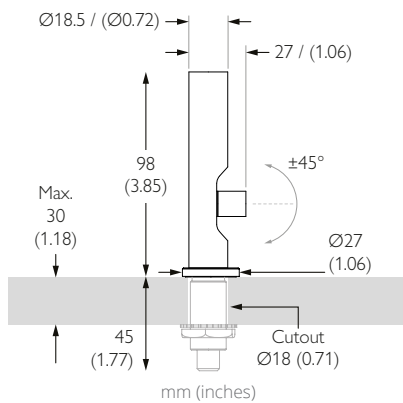
| | | |
|-----------|----------------------------|--------|
| UK PART L | Part L1A / L1B (Dwellings) | EXEMPT |
| | Part L2A (General) | EXEMPT |
| | Part L2A (Display) | EXEMPT |



PERFORMANCE

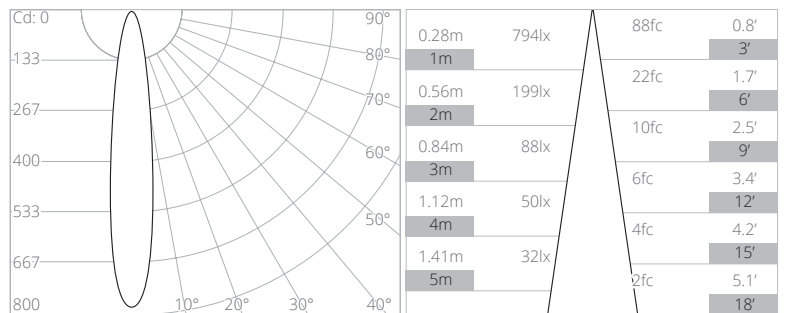
| | | | |
|---------------|--|-------------|--|
| FWHM | 16° | Category | IP20 |
| Luminous Flux | Total: 94 lm Per Light Engine: 94 lm | Material | Machined AL 6063-T6 Machined Brass |
| Light Engines | 1 | Finishes | Brushed Aluminium White RAL9010 Matte Black Anodised Rubbed Bronze* Polished Brass* Brushed Brass * Polished Nickel* |
| CCT | 2700K 3000K | Weight | 50g 0.11lb |
| CRI Min. | 95 TYP | Mounting | Minipoints |
| Drive Current | 350 mA | Movement | Pan 360° Tilt ±45° |
| Nom. Voltage | 3.2 V | Lockable | N/A |
| Max. Wattage | 1.12 W | Accessories | N/A Snoots End Cap |
| Dimming | 0-10V DALI | TM65 TM66 | 7.24kgCO2e 2.4 |
| Driver Type | Constant Current Remote | Lifetime | L90B10 100,000hrs 5 year warranty |
| Class | SELV Class III | | |

DIMENSIONS



PHOTOMETRY

| CCT | Multiplier |
|-------|------------|
| 2700K | x1.00 |
| 3000K | x1.00 |



Data at 3000K, Single Light Engine

LUMINAIRE ORDER CODE

| Model | Finish | CCT | Beam Angle |
|--------|----------------------|------------------|---------------|
| 1011-M | - | - | - |
| | WH White RAL 9010 | 2795 2700K 95CRI | 16 Narrow |
| | EBA Black RAL 9005 | 3095 3000K 95CRI | 23 Medium |
| | AL Brushed Aluminium | | 45 Flood |
| | RB Rubbed Bronze | | 90 Wide Flood |
| | PB Polished Brass | | |
| | SB Brushed Brass | | |

MINIPOINT ORDER CODE

| Model | Finish |
|------------|----------------------|
| 770-M-A-DC | - |
| | WH White RAL 9010 |
| | EBA Black RAL 9005 |
| | AL Brushed Aluminium |
| | RB Rubbed Bronze |
| | PB Polished Brass |
| | SB Brushed Brass |

Example Code: 1011-M-WH-309516

*Premium & custom finishes are built to order, subject to an extended lead time & MOQ
See Drivers, Power Supplies and Accessories sections for further order codes

Example Code: 770-M-A-DC-WH

OVERVIEW

Stacko Aim Mid is a Constant Current miniature display lighting product. It has four beam distributions and is a part of the modular Stacko Collection allowing users to 'stack' products together to create unique lighting set-ups that comes as standard in white, black and brushed aluminium. There is 1 light engine totalling 102lm | 1.12W. Each medium beam in our 102lm light engine has a peak intensity of 359cd. This 'Mid' module requires further modules or an end cap to close the circuit. There can only be a maximum of 10 light engines per Stacko circuit or driver. The luminaire is compatible with our Minipoint system that enables a plug and play setup where luminaires can be swapped to suit changing lighting requirements.



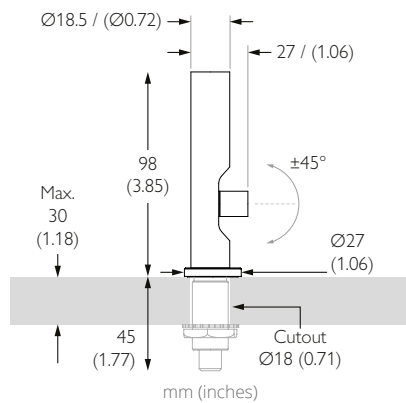
| | | |
|-----------|----------------------------|--------|
| UK PART L | Part L1A / L1B (Dwellings) | EXEMPT |
| | Part L2A (General) | EXEMPT |
| | Part L2A (Display) | EXEMPT |



PERFORMANCE

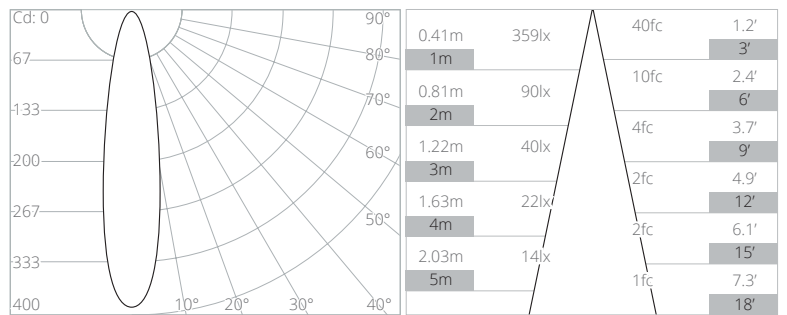
| | | | |
|---------------|--|-------------|--|
| FWHM | 23° | Category | IP20 |
| Luminous Flux | Total: 92 lm Per Light Engine: 92 lm | Material | Machined AL 6063-T6 Machined Brass |
| Light Engines | 1 | Finishes | Brushed Aluminium White RAL9010 Matte Black Anodised Rubbed Bronze* Polished Brass* Brushed Brass * Polished Nickel* |
| CCT | 2700K 3000K | Weight | 50g 0.11lb |
| CRI Min. | 95 TYP | Mounting | Minipoints |
| Drive Current | 350 mA | Movement | Pan 360° Tilt ±45° |
| Nom. Voltage | 3.2 V | Lockable | N/A |
| Max. Wattage | 1.12 W | Accessories | N/A Snoots End Cap |
| Dimming | 0-10V DALI | TM65 TM66 | 7.24kgCO2e 2.4 |
| Driver Type | Constant Current Remote | Lifetime | L90B10 100,000hrs 5 year warranty |
| Class | SELV Class III | | |

DIMENSIONS



PHOTOMETRY

| CCT | Multiplier |
|-------|------------|
| 2700K | x1.00 |
| 3000K | x1.00 |



Data at 3000K, Single Light Engine

LUMINAIRE ORDER CODE

| Model | Finish | CCT | Beam Angle |
|--------|----------------------|------------------|---------------|
| 1011-M | - | - | - |
| | WH White RAL 9010 | 2795 2700K 95CRI | 16 Narrow |
| | EBA Black RAL 9005 | 3095 3000K 95CRI | 23 Medium |
| | AL Brushed Aluminium | | 45 Flood |
| | RB Rubbed Bronze | | 90 Wide Flood |
| | PB Polished Brass | | |
| | SB Brushed Brass | | |

MINIPOINT ORDER CODE

| Model | Finish |
|------------|----------------------|
| 770-M-A-DC | - |
| | WH White RAL 9010 |
| | EBA Black RAL 9005 |
| | AL Brushed Aluminium |
| | RB Rubbed Bronze |
| | PB Polished Brass |
| | SB Brushed Brass |

Example Code: 1011-M-WH-309523

*Premium & custom finishes are built to order, subject to an extended lead time & MOQ
See Drivers, Power Supplies and Accessories sections for further order codes

Example Code: 770-M-A-DC-WH

OVERVIEW

Stacko Aim Mid is a Constant Current miniature display lighting product. It has four beam distributions and is a part of the modular Stacko Collection allowing users to 'stack' products together to create unique lighting set-ups that comes as standard in white, black and brushed aluminium. There is 1 light engine totalling 102lm | 1.12W. Each flood beam in our 102lm light engine has a peak intensity of 109cd. This 'Mid' module requires further modules or an end cap to close the circuit. There can only be a maximum of 10 light engines per Stacko circuit or driver. The luminaire is compatible with our Minipoint system that enables a plug and play setup where luminaires can be swapped to suit changing lighting requirements.



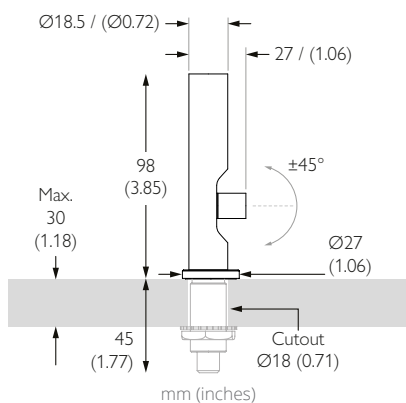
| | | |
|-----------|----------------------------|--------|
| UK PART L | Part L1A / L1B (Dwellings) | EXEMPT |
| | Part L2A (General) | EXEMPT |
| | Part L2A (Display) | EXEMPT |



PERFORMANCE

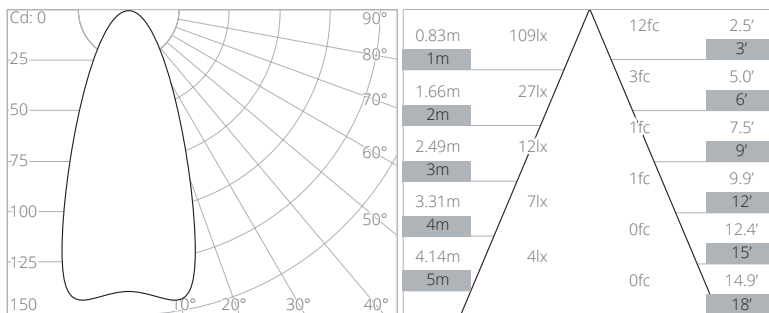
| | | | |
|---------------|--|-------------|--|
| FWHM | 45° | Category | IP20 |
| Luminous Flux | Total: 93 lm Per Light Engine: 93 lm | Material | Machined AL 6063-T6 Machined Brass |
| Light Engines | 1 | Finishes | Brushed Aluminium White RAL9010 Matte Black Anodised Rubbed Bronze* Polished Brass* Brushed Brass * Polished Nickel* |
| CCT | 2700K 3000K | Weight | 50g 0.11lb |
| CRI Min. | 95 TYP | Mounting | Minipoints |
| Drive Current | 350 mA | Movement | Pan 360° Tilt ±45° |
| Nom. Voltage | 3.2 V | Lockable | N/A |
| Max. Wattage | 1.12 W | Accessories | N/A Snoots End Cap |
| Dimming | 0-10V DALI | TM65 TM66 | 7.24kgCO2e 2.4 |
| Driver Type | Constant Current Remote | Lifetime | L90B10 100,000hrs 5 year warranty |
| Class | SELV Class III | | |

DIMENSIONS



PHOTOMETRY

| CCT | Multiplier |
|-------|------------|
| 2700K | x1.00 |
| 3000K | x1.00 |



Data at 3000K, Single Light Engine

LUMINAIRE ORDER CODE

| Model | Finish | CCT | Beam Angle |
|--------|----------------------|------------------|---------------|
| 1011-M | - | - | - |
| | WH White RAL 9010 | 2795 2700K 95CRI | 16 Narrow |
| | EBA Black RAL 9005 | 3095 3000K 95CRI | 23 Medium |
| | AL Brushed Aluminium | | 45 Flood |
| | RB Rubbed Bronze | | 90 Wide Flood |
| | PB Polished Brass | | |
| | SB Brushed Brass | | |

MINIPOINT ORDER CODE

| Model | Finish |
|------------|----------------------|
| 770-M-A-DC | - |
| | WH White RAL 9010 |
| | EBA Black RAL 9005 |
| | AL Brushed Aluminium |
| | RB Rubbed Bronze |
| | PB Polished Brass |
| | SB Brushed Brass |

Example Code: 1011-M-WH-309545

*Premium & custom finishes are built to order, subject to an extended lead time & MOQ
See Drivers, Power Supplies and Accessories sections for further order codes

Example Code: 770-M-A-DC-WH

OVERVIEW

Stacko Aim Mid is a Constant Current miniature display lighting product. It has four beam distributions and is a part of the modular Stacko Collection allowing users to 'stack' products together to create unique lighting set-ups that comes as standard in white, black and brushed aluminium. There is 1 light engine totalling 102lm | 1.12W. Each wide flood beam in our 102lm light engine has a peak intensity of 26cd. This 'Mid' module requires further modules or an end cap to close the circuit. There can only be a maximum of 10 light engines per Stacko circuit or driver. The luminaire is compatible with our Minipoint system that enables a plug and play setup where luminaires can be swapped to suit changing lighting requirements.



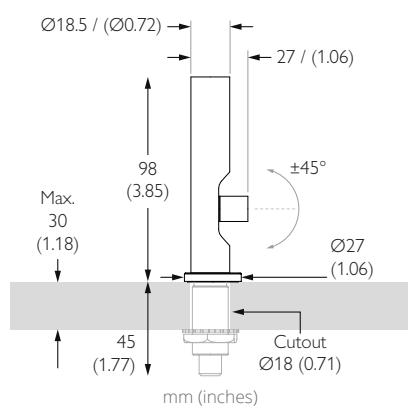
| | | |
|-----------|----------------------------|--------|
| UK PART L | Part L1A / L1B (Dwellings) | EXEMPT |
| | Part L2A (General) | EXEMPT |
| | Part L2A (Display) | EXEMPT |



PERFORMANCE

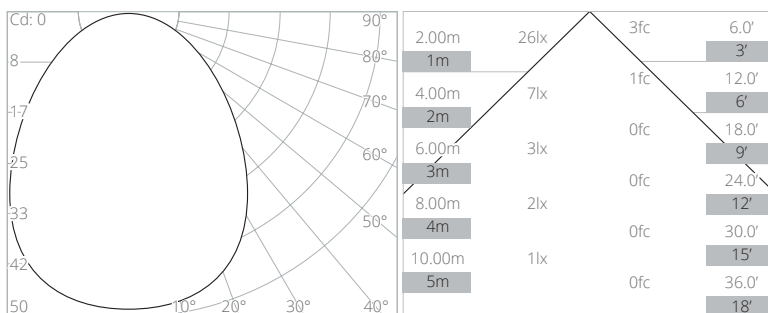
| | | | |
|---------------|--|-------------|--|
| FWHM | 90° | Category | IP20 |
| Luminous Flux | Total: 69 lm Per Light Engine: 69 lm | Material | Machined AL 6063-T6 Machined Brass |
| Light Engines | 1 | Finishes | Brushed Aluminium White RAL9010 Matte Black Anodised Rubbed Bronze* Polished Brass* Brushed Brass * Polished Nickel* |
| CCT | 2700K 3000K | Weight | 50g 0.11lb |
| CRI Min. | 95 TYP | Mounting | Minipoints |
| Drive Current | 350 mA | Movement | Pan 360° Tilt ±45° |
| Nom. Voltage | 3.2 V | Lockable | N/A |
| Max. Wattage | 1.12 W | Accessories | N/A Snoots End Cap |
| Dimming | 0-10V DALI | TM65 TM66 | 7.24kgCO2e 2.4 |
| Driver Type | Constant Current Remote | Lifetime | L90B10 100,000hrs 5 year warranty |
| Class | SELV Class III | | |

DIMENSIONS



PHOTOMETRY

| CCT | Multiplier |
|-------|------------|
| 2700K | x1.00 |
| 3000K | x1.00 |



Data at 3000K, Single Light Engine

LUMINAIRE ORDER CODE

| Model | Finish | CCT | Beam Angle |
|--------|----------------------|------------------|---------------|
| 1011-M | - | - | - |
| | WH White RAL 9010 | 2795 2700K 95CRI | 16 Narrow |
| | EBA Black RAL 9005 | 3095 3000K 95CRI | 23 Medium |
| | AL Brushed Aluminium | | 45 Flood |
| | RB Rubbed Bronze | | 90 Wide Flood |
| | PB Polished Brass | | |
| | SB Brushed Brass | | |

MINIPOINT ORDER CODE

| Model | Finish |
|------------|----------------------|
| 770-M-A-DC | - |
| | WH White RAL 9010 |
| | EBA Black RAL 9005 |
| | AL Brushed Aluminium |
| | RB Rubbed Bronze |
| | PB Polished Brass |
| | SB Brushed Brass |

Example Code: 1011-M-WH-309590

*Premium & custom finishes are built to order, subject to an extended lead time & MOQ
See Drivers, Power Supplies and Accessories sections for further order codes

Example Code: 770-M-A-DC-WH

DRIVERS

NO. OF LIGHTS PER DRIVER

Stacko has a varying number of light engines per product. There can only be a maximum of 10 light engines per Stacko circuit or driver. The Stacko range is compatible with our Minipoint system that enables a plug and play setup where luminaires can be swapped to suit changing lighting requirements.

| | |
|---------------------------|-----------------|
| Stacko Tilt Fixed End | 3 Light engines |
| Stacko Tilt Fixed Mid | 3 Light engines |
| Stacko Straight Fixed End | 5 Light engines |
| Stacko Straight Fixed Mid | 5 Light engines |
| Stacko Multi-Aim 3 End | 3 Light engines |
| Stacko Multi-Aim 3 Mid | 3 Light engines |
| Stacko Aim End | 1 Light engine |
| Stacko Aim Mid | 1 Light engine |

30W | DIMMING: DALI OR 0-10V

NO. OF LIGHT ENGINES PER DRIVER 1 to 10 light engines

MIN DIM LEVEL 0.1%

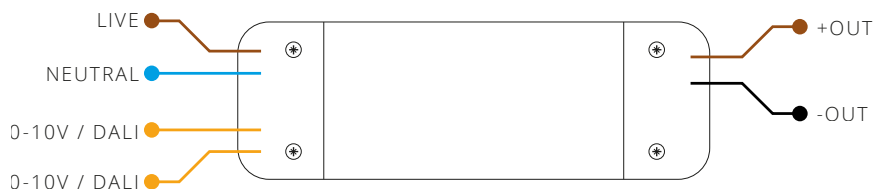
VOLTAGE REGION 230V

FOR NORTH AMERICA No

WATTAGE 30W

SUPPLY TYPE Constant Current

DRIVER LOCATION Remote



DALI CODE PSCC-30-350-D-EL-ENC

0-10V CODE PSCC-30-350-A-EL-ENC

LENGTH 210mm (8.3")

WIDTH 41mm (1.6")

HEIGHT 34mm (1.3")



30W | DIMMING: DALI OR 0-10V

NO. OF LIGHT ENGINES PER DRIVER 1 to 10 light engines

MIN DIM LEVEL 0.1%

VOLTAGE REGION 120V

FOR NORTH AMERICA Yes

WATTAGE 30W

SUPPLY TYPE Constant Current

DRIVER LOCATION Remote



DALI CODE USCC-30-350-D-EL-ENC

0-10V CODE USCC-30-350-A-EL-ENC

LENGTH 348mm (13.7")

WIDTH 65mm (2.6")

HEIGHT 47mm (1.9")



MINIPOINT JACK SYSTEM

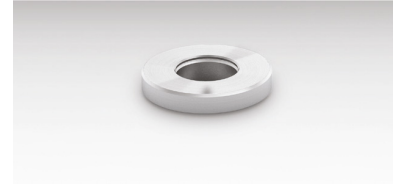
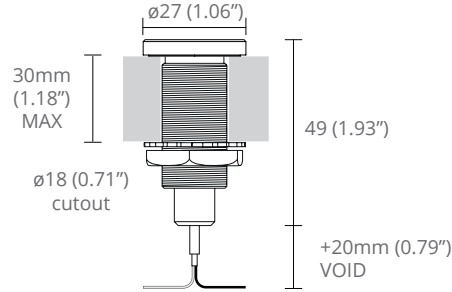
MOUNTING OPTIONS

MOUNTING OPTIONS

NODE MINIPOINT

For mounting into cabinetry

| MINIPOINT CODE | FINISH |
|----------------|-------------------|
| 770-M-A-DC-AL | Brushed Aluminium |
| 770-M-A-DC-WH | White RAL 9010 |
| 770-M-A-DC-EBA | Black RAL 9005 |
| 770-M-A-DC-AL | Rubbed Bronze |
| 770-M-A-DC-AL | Polished Brass |
| 770-M-A-DC-AL | Brushed Brass |



MINIPOINT PLUG

For closing an open circuit / unused minipoint

| MONOPOINT CODE | FINISH |
|----------------|-------------------|
| 770-BPA-AL | Brushed Aluminium |
| 770-BPA-WH | White RAL 9010 |
| 770-BPA-EBA | Black RAL 9005 |
| 770-BPA-RB | Rubbed Bronze |
| 770-BPA-PB | Polished Brass |
| 770-BPA-SB | Brushed Brass |

