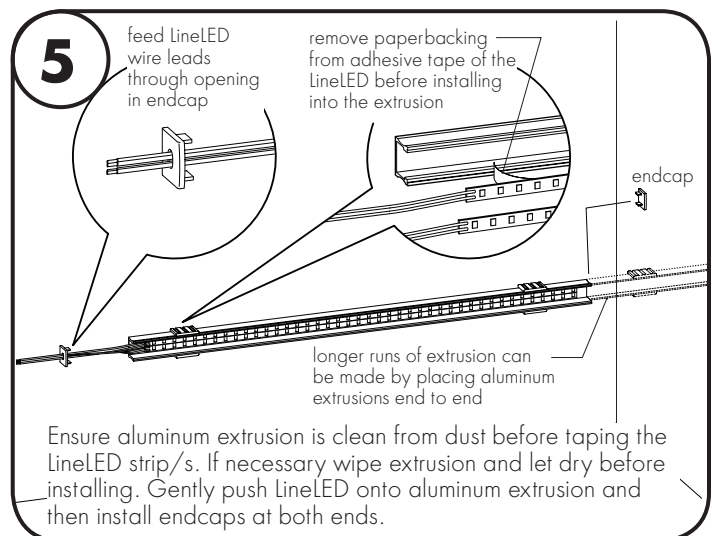
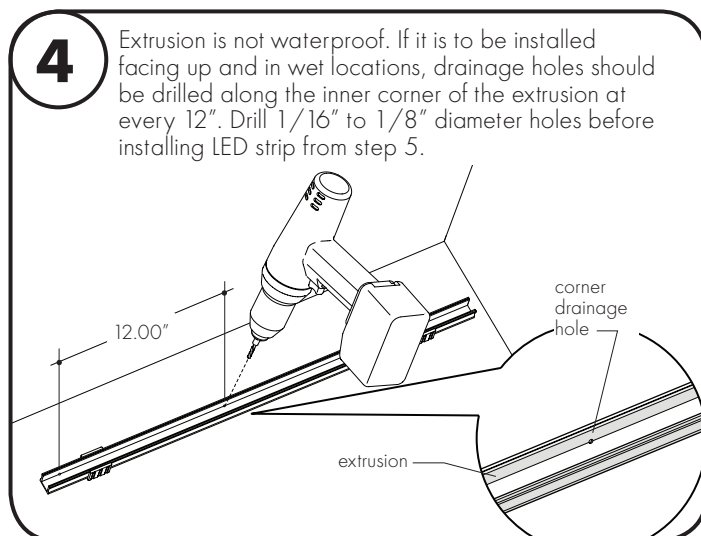
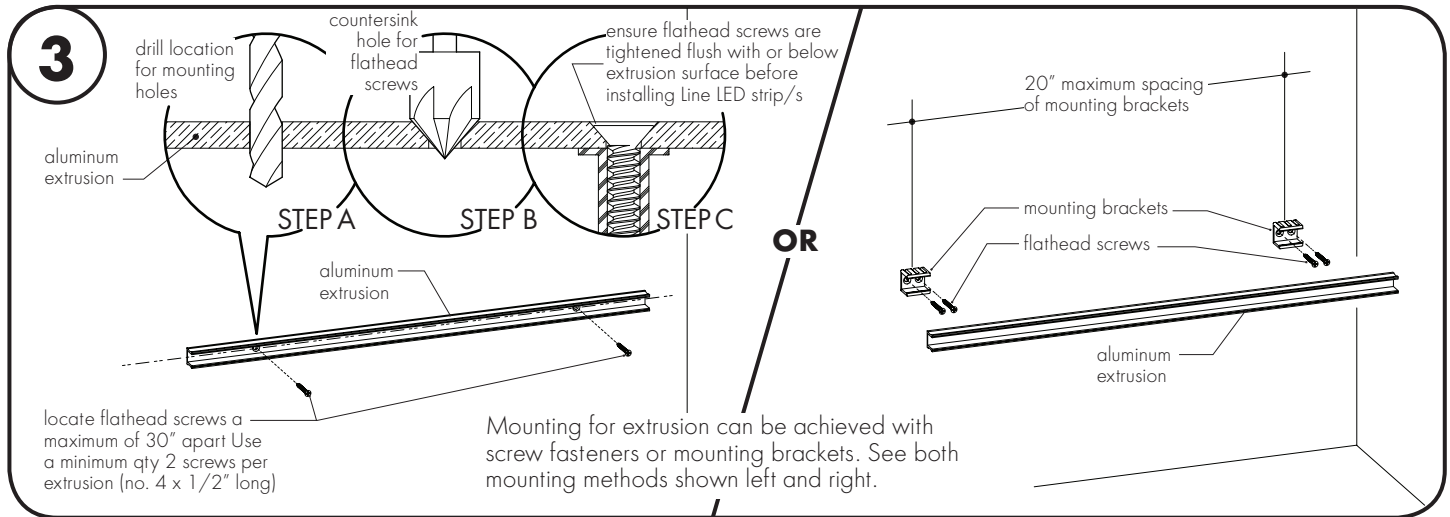
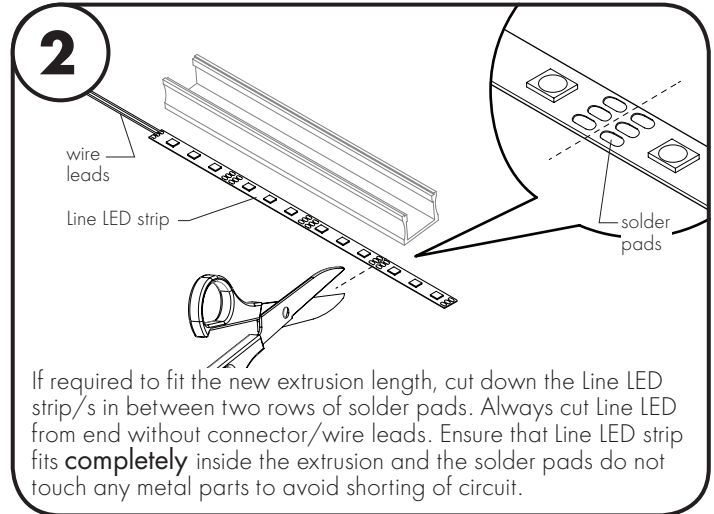
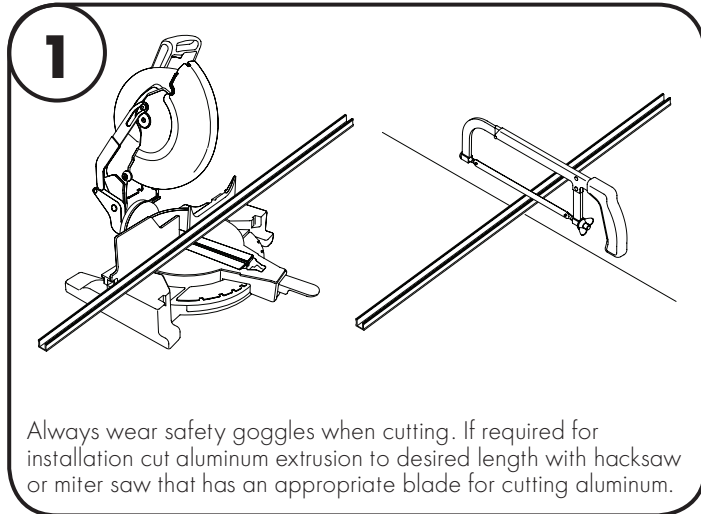


# SLW Channels - Installation Instructions

## Model SLW8-, SLW15-, SLW20-

**Please read all instructions prior to installation and keep for future reference!**

1. Product should be installed by a qualified electrician.
2. Prior to installation ensure power is off at fuse box to prevent electrical shock.



# SLW Channels - Installation Instructions

## Model SLW8-, SLW15-, SLW20-

**Please read all instructions prior to installation and keep for future reference!**

1. Product should be installed by a qualified electrician.
2. Prior to installation ensure power is off at fuse box to prevent electrical shock.

