

Runda Wall - Installation Instructions

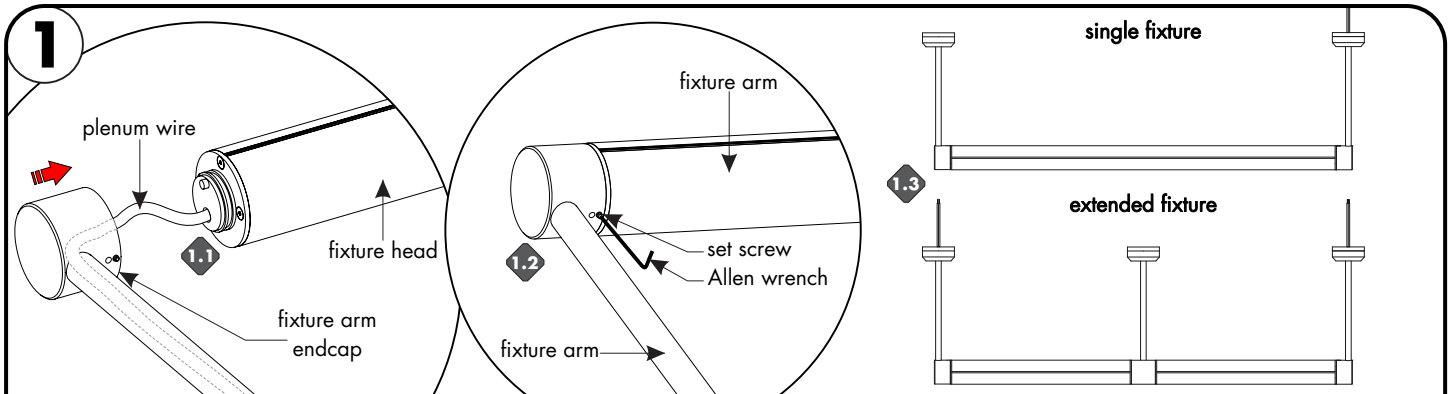
Model: RUNW-

Please read all instructions prior to installation and keep for future reference!

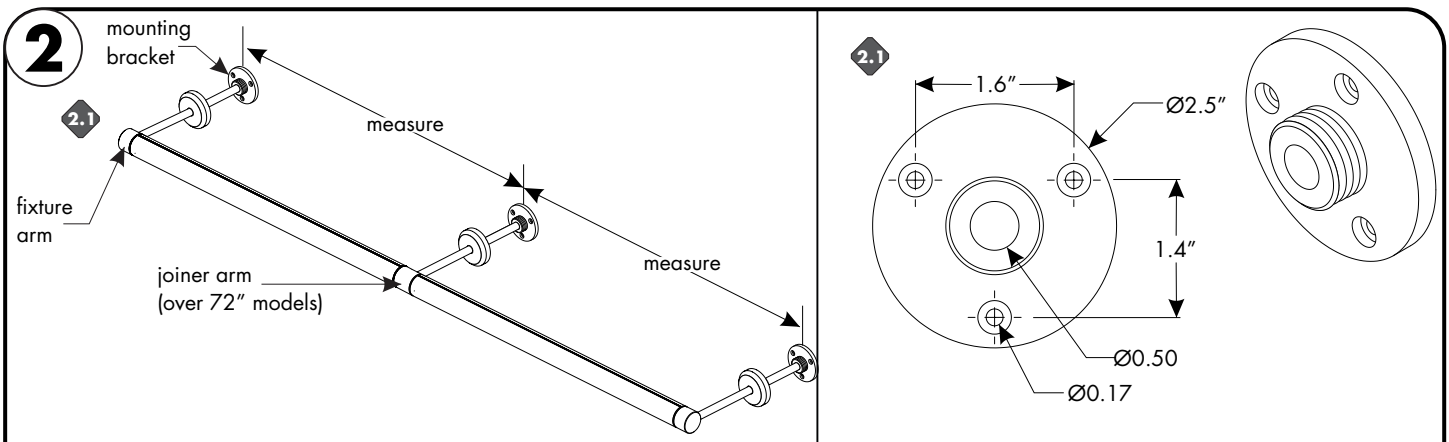
1. PRODUCT TO BE INSTALLED BY A QUALIFIED ELECTRICIAN.
2. USE ONLY WITH CLASS 2 POWER UNIT.
3. 24 VOLTS DC.
4. SUITABLE FOR DAMP LOCATIONS.
5. MORE THAN ONE PERSON IS RECOMMENDED FOR THIS INSTALLATION.



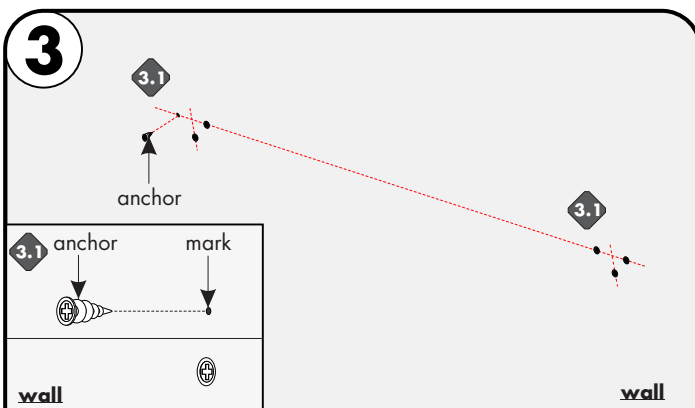
7777 Merrimac Ave
Niles, IL 60714
T 224.333.6033
F 224.757.7557
info@luminii.com
www.luminii.com



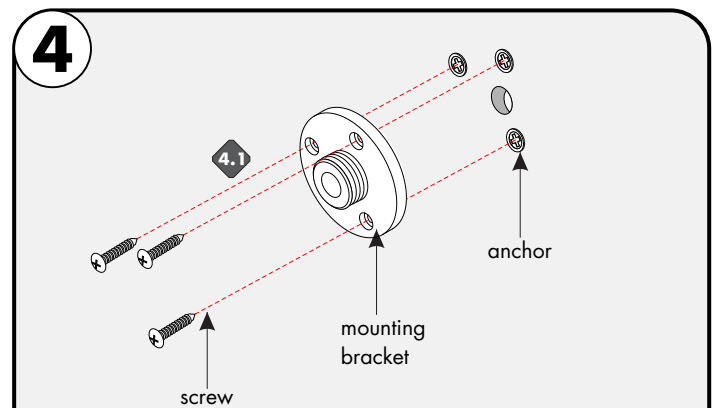
- 1.1 After removing the fixture from the packaging. Pull the slack out of the plenum wire through the fixture.
- 1.2 Align the fixture arm endcap to the fixture head, make sure to rotate to the desired position. Then secure by tightening the set screw using the provided Allen wrench
- 1.3 Repeat for the remaining arm(s). Depending on the fixture type, it may come with additional arms for joiner.



- 2.1 Measure the distance from one mounting bracket to the next. Then mark these location to the wall. Use the reference detail of mounting bracket above, for any additional information.



- 3.1 Align and then tap each anchor onto the marks until the threaded section. Followed by tightening the anchors with a Phillips screw driver. **(Anchors not provided)**



- 4.1 Secure each mounting bracket onto the anchors using the appropriate hardware.

Runda Wall - Installation Instructions

Model: RUNW-

Please read all instructions prior to installation and keep for future reference!

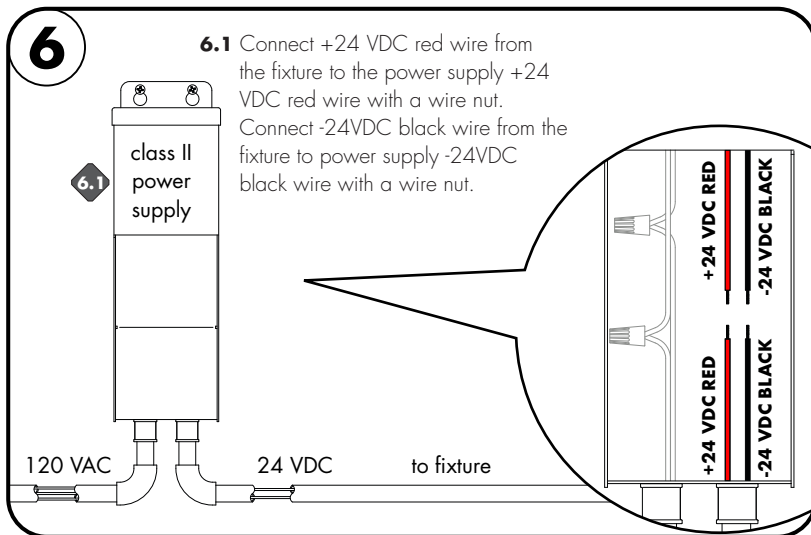
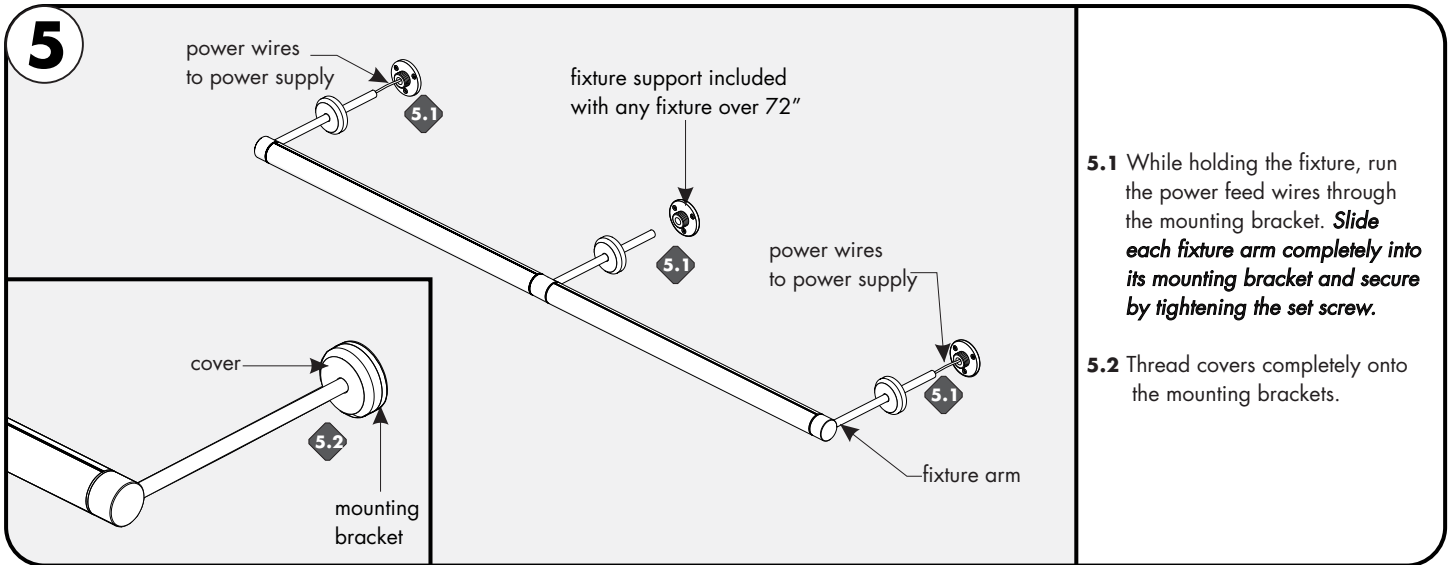
1. PRODUCT TO BE INSTALLED BY A QUALIFIED ELECTRICIAN.
2. USE ONLY WITH CLASS 2 POWER UNIT.
3. 24 VOLTS DC.
4. SUITABLE FOR DAMP LOCATIONS.
5. MORE THAN ONE PERSON IS RECOMMENDED FOR THIS INSTALLATION.



luminii

7777 Merrimac Ave
Niles, IL 60714
T 224.333.6033
F 224.757.7557
info@luminii.com
www.luminii.com

Page 2 of 3



Runda Wall - Installation Instructions

Model: RUNW-

Please read all instructions prior to installation and keep for future reference!

1. PRODUCT TO BE INSTALLED BY A QUALIFIED ELECTRICIAN.
2. USE ONLY WITH CLASS 2 POWER UNIT.
3. 24 VOLTS DC.
4. SUITABLE FOR DAMP LOCATIONS.
5. MORE THAN ONE PERSON IS RECOMMENDED FOR THIS INSTALLATION.



7777 Merrimac Ave
Niles, IL 60714
T 224.333.6033
F 224.757.7557
info@luminii.com
www.luminii.com

Page 3 of 3

Power Supply Wiring Diagram

Note: Prior to installation all 24VDC wires must be present near fixture. Refer to the power supply installation instructions for additional information.



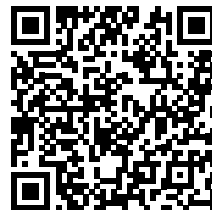
Static White
Wiring Diagram PDF



RGB/RGBW
Wiring Diagram PDF



Warm Dim
Wiring Diagram PDF



Pixel
Wiring Diagram PDF



Tunable White
Wiring Diagram PDF