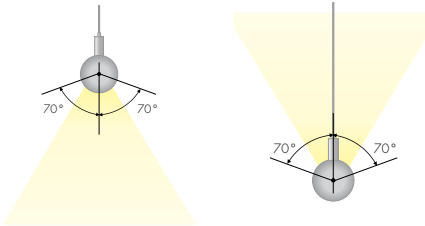
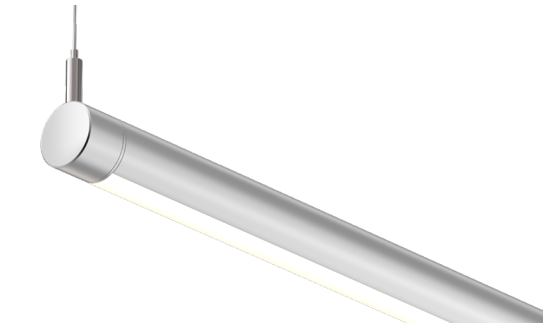


**Features**

- 24VDC Class 2 fixtures made to order up to 232". Fixture head rotates up to 140°, in either a up or down direction. Reference ordering code for proper model.
- Class 2 listed for damp locations
- Dot free even illumination with frosted lens
- Average Life (L70): 50,000hrs
- 7 year warranty
- High Color Quality options offer premium quality and vibrant colors with R9 values up to 97
- High Efficacy options offer best in class output and efficacy with over 720 lm/ft and up to 91 lm/W
- Proprietary strong bond solder method handles up to 50 lbs of pull force on wire leads and connectors



**Finish Options** (see page 2 for additional information)

- Base  Silver Anodized
- 
- Powder Coat  Black  Bronze  White
- 
- Premium  Matte Black  Warm Nickel  Aged Brass  Polished Gold  Chrome



**Technical Information**

MODEL	High Color Quality		High Efficacy				High Efficacy	
	60X2HO	60X2VHO	HE48LO	HE48SO	HE48MO	HE48HO	HE64VHO	HE64XHO
<b>OUTPUT OPTIONS</b>								
<b>Lumens Output (3000K)</b> (with a Clear Lens)	433 lm/ft	541 lm/ft	172 lm/ft	238 lm/ft	318 lm/ft	510 lm/ft	646 lm/ft	726 lm/ft
<b>Average Power Consumption</b> (for a 4' section)	7.3 W/ft	9.4 W/ft	1.9 W/ft	2.8 W/ft	3.5 W/ft	6.5 W/ft	7.5 W/ft	9.6 W/ft
<b>Efficacy</b>	59 lm/W	58 lm/W	91 lm/W	85 lm/W	91 lm/W	78 lm/W	86 lm/W	76 lm/W
<b>Max Run Length</b> (in series)	26 ft	21 ft	48 ft	42 ft	33 ft	21 ft	15 ft	13 ft
<b>Ambient Operating Temperature Range*</b>	-5°F - 125°F (-20°C - 50°C)		-5°F - 125°F (-20°C - 50°C)				-5°F - 125°F (-20°C - 50°C)	-5°F - 115°F (-20°C - 45°C)

\*Ambient Operating Temperature Range to maintain L70 of 50k+ hours in normal mounting conditions for the fixture. Exceeding Ambient Operating Temperature Range may result in decreased life/output. Consult Technical Support for specific inquiries.

**High Color Quality (60X2)**

CCT	Multiplier (reference - 3000K)	CRI	TM-30		
			R <sub>f</sub>	R <sub>g</sub>	R <sub>9</sub>
2200K	0.70	96	95	101	89
2400K	0.72	98	97	101	91
2700K	0.74	97	96	101	91
3000K	1.00	97	95	104	97
3500K	1.02	97	94	105	97
4100K	1.07	97	90	99	97

**High Efficacy (HE48/HE64)**

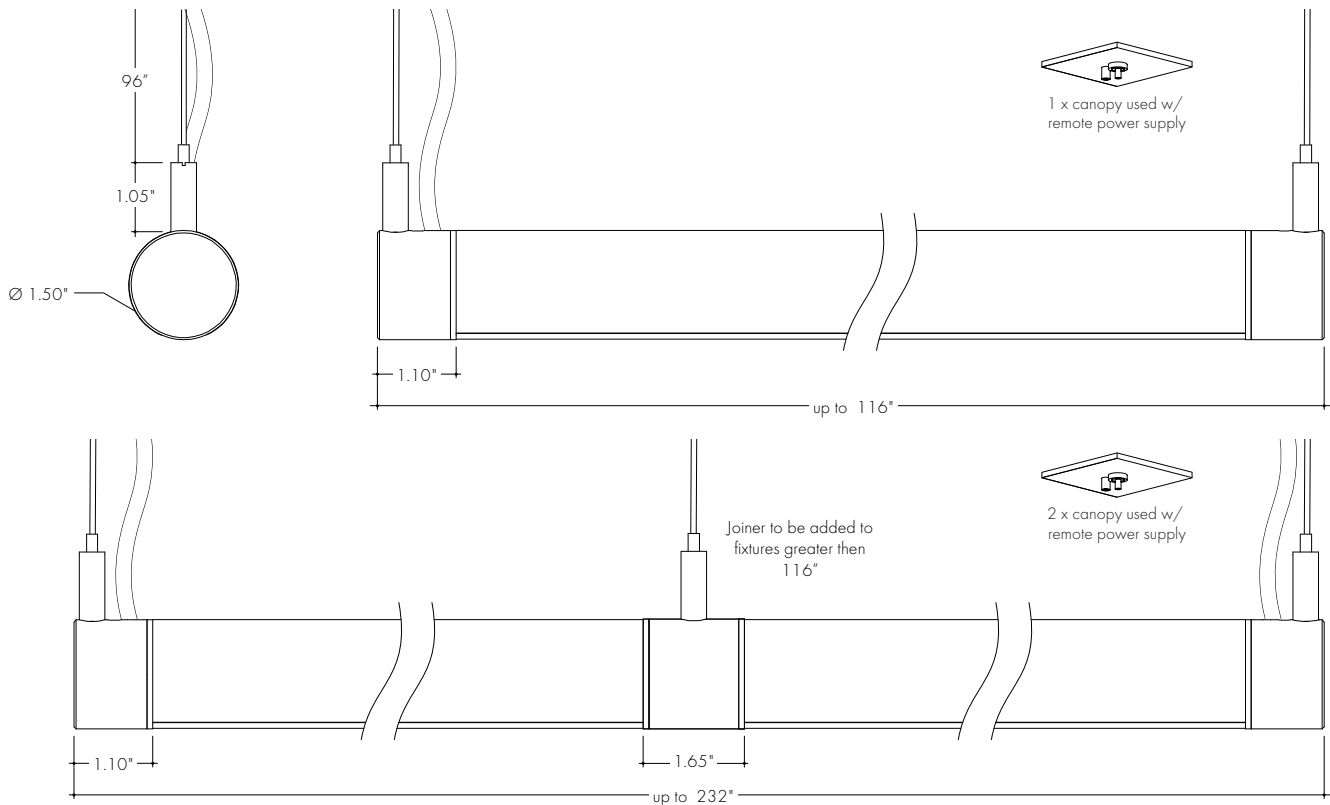
CCT	Multiplier (reference - 3000K)	CRI	TM-30		
			R <sub>f</sub>	R <sub>g</sub>	R <sub>9</sub>
2200K	0.73	92	91	97	42
2500K	0.81	93	96	96	62
2700K	0.94	92	90	99	58
3000K	1.00	92	89	99	57
3500K	1.02	92	89	99	60
4000K	1.02	92	86	94	71

**Ordering Code**

MODEL	LENGTH <sup>1</sup>	OUTPUT <sup>2</sup>	CCT	LENS	LIGHT DIRECTION	MOUNTING	FINISH <sup>3,4</sup>
RUN-Runda	12" - 232" 2" increments	60X2HO-High 60X2VHO-Very High	22K-2200K 24K-2400K 27K-2700K 30K-3000K 35K-3500K 41K-4100K	C-Clear F-Frosted	U-Up D-Down	S-Suspension	<b>BASE</b> SA-Silver Anodized  <b>POWDER COAT</b> BK-Black BZ-Bronze WH-White  <b>PREMIUM</b> MBK-Matte Black WN-Warm Nickel AB-Aged Brass PG-Polished Gold <sup>5</sup> CH-Chrome <sup>5</sup>
	12" - 232" 2" increments	HE48LO-Low HE48SO-Standard HE48MO-Medium HE48HO-High HE64VHO-Very High HE64XHO-Max	22K-2200K 25K-2500K 27K-2700K 30K-3000K 35K-3500K 40K-4000K				

1 - Custom lengths and increments are available, please consult Inside Sales with specific request.  
 2 - All High Efficacy options can be used to comply with Title 24 JAB. High Color Quality options can be used to comply with Title 24 JAB depending on Output, CCT, and Lens selections. See multiplier charts to calculate specific efficacies.  
 3 - Non Base finishes may have extended lead times. Custom RALs are available, please consult Inside Sales with specific request.  
 4 - White canopy included with all finishes except Black and Matte Black, which include a Black canopy.  
 5 - Polished Gold and Chrome finishes have a maximum fixture length of 96".

**Product Dimensions**



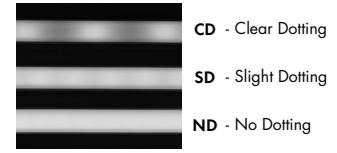
**Finish Options**

- Finish options are available in a wide variety, allowing for complete customization of style and aesthetic.
- Non Base finishes may have extended lead times.
- White canopy included with all finishes except Black and Matte Black, which include a Black canopy.
- Polished Gold and Chrome finishes have a maximum fixture length of 96".
- Custom RALs are available, please consult Inside Sales with specific request.

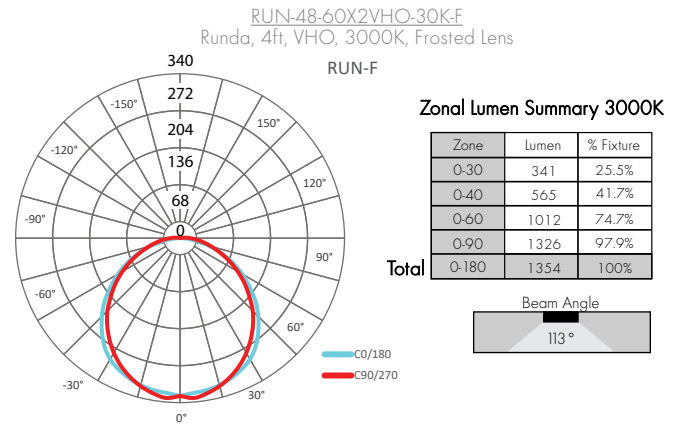
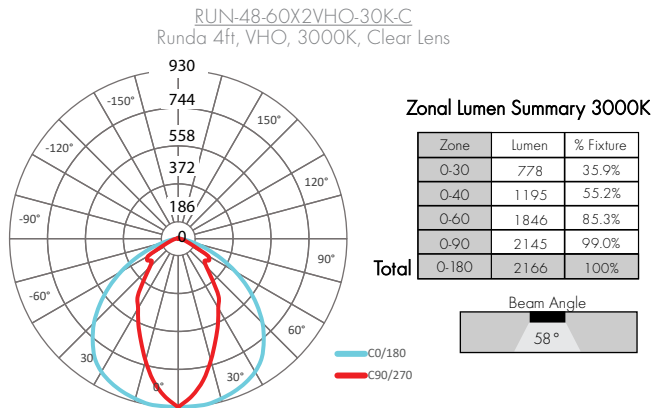
<p><b>Silver Anodized Base</b></p>	<p><b>Black Powder Coat</b></p>	<p><b>Bronze Powder Coat</b></p>	<p><b>White Powder Coat</b></p>	<p><b>Matte Black Premium</b></p>
<p>Silver Anodized is a soft silver with a clear finish.</p>	<p>Black is a true deep black with a glossy finish.</p>	<p>Bronze is a rich, dark brown with a satin finish.</p>	<p>White is a polar bright white and field paintable.</p>	<p>Matte Black is a dark, pitch-black with a soft flat finish.</p>
<p><b>Warm Nickel Premium</b></p>	<p><b>Aged Brass Premium</b></p>	<p><b>Polished Gold Premium</b></p>	<p><b>Chrome Premium</b></p>	
<p>Warm Nickel is a soft, silvery smoke with warm tones and a satin finish.</p>	<p>Aged Brass is a deep brown shade with slightly golden undertones.</p>	<p>Polished Gold is bright and radiant for a brilliant finish.</p>	<p>Chrome is a highly reflective silver polish.</p>	

Light Transmission and Dotting

Output Options	Lens/Accessory							
	Clear				Frosted			
Dimming Level	100%	50%	10%	1%	100%	50%	10%	1%
60X2HO	CD	CD	CD	CD	ND	ND	ND	ND
60X2VHO	CD	CD	CD	CD	ND	ND	ND	ND
HE48LO	CD	CD	CD	CD	ND	ND	ND	ND
HE48SO	CD	CD	CD	CD	ND	ND	ND	ND
HE48MO	CD	CD	CD	CD	ND	ND	ND	ND
HE48HO	CD	CD	CD	CD	ND	ND	ND	ND
HE64VHO	CD	CD	CD	CD	ND	ND	ND	ND
<b>Transmission Percentage</b>	100%				63%			



Photometry



**Power Consumption**

Tested at Full Power with PS-UNI Series power supplies.

Standard Nominal Lengths offered provide minimal shadowing. For alternate lengths, please consult Inside Sales with specific request.

**High Color Quality (60X2)**

Nominal Length (in)	Actual Length	Watts		Nominal Length (in)	Actual Length	Watts		Nominal Length (in)	Actual Length	Watts	
		HO	VHO			HO	VHO			HO	VHO
<b>12</b>	11 2/16	8.3	10.4	<b>47</b>	46 4/16	27.1	34.7	<b>82</b>	81 6/16	45.0	56.6
<b>13</b>	12 8/16	8.3	10.4	<b>48</b>	47 10/16	27.7	35.3	<b>83</b>	82 13/16	45.4	57.1
<b>14</b>	13 15/16	8.3	10.4	<b>49</b>	—	—	—	<b>84</b>	—	—	—
<b>15</b>	—	—	—	<b>50</b>	49 1/16	28.2	36.0	<b>85</b>	84 3/16	46.3	58.1
<b>16</b>	15 5/16	8.9	11.3	<b>51</b>	50 7/16	29.3	37.4	<b>86</b>	85 10/16	46.7	58.6
<b>17</b>	16 12/16	9.5	12.1	<b>52</b>	51 14/16	29.9	38.1	<b>87</b>	—	—	—
<b>18</b>	—	—	—	<b>53</b>	—	—	—	<b>88</b>	87	47.2	59.2
<b>19</b>	18 2/16	10.1	12.9	<b>54</b>	53 4/16	31.0	39.5	<b>89</b>	88 7/16	48.1	60.4
<b>20</b>	19 9/16	11.3	14.5	<b>55</b>	54 11/16	31.5	40.2	<b>90</b>	89 13/16	48.5	61.0
<b>21</b>	20 15/16	11.9	15.3	<b>56</b>	—	—	—	<b>91</b>	—	—	—
<b>22</b>	—	—	—	<b>57</b>	56 1/16	32.1	40.9	<b>92</b>	91 4/16	49.4	62.2
<b>23</b>	22 6/16	13.1	16.9	<b>58</b>	57 8/16	33.1	42.3	<b>93</b>	92 10/16	49.9	62.8
<b>24</b>	23 12/16	13.7	17.7	<b>59</b>	58 14/16	33.7	43.0	<b>94</b>	—	—	—
<b>25</b>	—	—	—	<b>60</b>	—	—	—	<b>95</b>	94 1/16	50.3	63.4
<b>26</b>	25 3/16	14.3	18.5	<b>61</b>	60 5/16	34.8	44.4	<b>96</b>	95 7/16	51.2	64.6
<b>27</b>	26 9/16	15.5	20.2	<b>62</b>	61 11/16	35.3	45.1	<b>97</b>	96 14/16	51.7	65.2
<b>28</b>	28	16.1	20.9	<b>63</b>	—	—	—	<b>98</b>	—	—	—
<b>29</b>	—	—	—	<b>64</b>	63 2/16	35.9	45.8	<b>99</b>	98 4/16	52.6	66.4
<b>30</b>	29 6/16	17.3	22.4	<b>65</b>	64 8/16	36.9	47.0	<b>100</b>	99 11/16	53.0	66.7
<b>31</b>	30 12/16	17.9	23.2	<b>66</b>	65 15/16	37.4	47.6	<b>101</b>	—	—	—
<b>32</b>	—	—	—	<b>67</b>	—	—	—	<b>102</b>	101 1/16	53.5	66.9
<b>33</b>	32 3/16	19.1	24.7	<b>68</b>	67 5/16	38.4	48.7	<b>103</b>	102 8/16	54.4	67.4
<b>34</b>	33 10/16	19.7	25.4	<b>69</b>	68 12/16	38.9	49.3	<b>104</b>	103 14/16	54.8	67.6
<b>35</b>	35	20.3	26.2	<b>70</b>	—	—	—	<b>105</b>	—	—	—
<b>36</b>	—	—	—	<b>71</b>	70 2/16	39.4	49.9	<b>106</b>	105 5/16	55.7	68.1
<b>37</b>	36 6/16	21.6	27.7	<b>72</b>	71 9/16	40.4	51.1	<b>107</b>	106 11/16	56.1	68.4
<b>38</b>	37 13/16	22.2	28.4	<b>73</b>	72 15/16	40.9	51.7	<b>108</b>	—	—	—
<b>39</b>	—	—	—	<b>74</b>	—	—	—	<b>109</b>	108 2/16	56.5	68.6
<b>40</b>	39 3/16	23.3	29.9	<b>75</b>	74 6/16	41.9	52.9	<b>110</b>	109 8/16	57.4	69.1
<b>41</b>	40 10/16	23.9	30.5	<b>76</b>	75 12/16	42.4	53.5	<b>111</b>	110 15/16	57.9	69.3
<b>42</b>	—	—	—	<b>77</b>	—	—	—	<b>112</b>	—	—	—
<b>43</b>	42	24.4	31.2	<b>78</b>	77 3/16	43.2	54.5	<b>113</b>	112 5/16	58.8	70.1
<b>44</b>	43 7/16	25.5	32.6	<b>79</b>	78 9/16	43.7	55.0	<b>114</b>	113 12/16	59.3	70.5
<b>45</b>	44 13/16	26.0	33.3	<b>80</b>	80	44.1	55.5	<b>115</b>	—	—	—
<b>46</b>	—	—	—	<b>81</b>	—	—	—	<b>116</b>	115 2/16	59.7	70.9

**Power Consumption**

Tested at Full Power with PS-UNI Series power supplies.

Standard Nominal Lengths offered provide minimal shadowing. For alternate lengths, please consult Inside Sales with specific request.

**High Efficacy (HE48)**

Nominal Length (in)	Actual Length	Watts				Nominal Length (in)	Actual Length	Watts				Nominal Length (in)	Actual Length	Watts			
		LO	SO	MO	HO			LO	SO	MO	HO			LO	SO	MO	HO
12	10 9/16	1.7	2.5	3.5	5.7	47	-	-	-	-	82	81 6/16	12.2	19.4	23.3	41.4	
13	12 8/16	1.7	2.5	3.5	5.7	48	47 15/16	6.9	10.7	13.3	24.7	83	-	-	-	-	
14	-	-	-	-	-	49	-	-	-	-	84	83 6/16	12.5	19.9	23.9	42.2	
15	14 8/16	1.7	2.5	3.5	5.7	50	49 14/16	7.1	11.2	13.9	25.4	85	-	-	-	-	
16	-	-	-	-	-	51	-	-	-	-	86	85 5/16	12.8	20.3	24.5	43.1	
17	16 7/16	2.0	3.0	4.0	7.2	52	51 14/16	7.4	11.7	14.5	26.3	87	-	-	-	-	
18	-	-	-	-	-	53	-	-	-	-	88	87 5/16	13.1	20.8	25.1	44.1	
19	18 7/16	2.4	3.5	4.6	8.7	54	53 13/16	7.7	12.3	15.1	27.4	89	-	-	-	-	
20	-	-	-	-	-	55	-	-	-	-	90	89 4/16	13.4	21.3	25.7	45.0	
21	20 6/16	2.7	3.9	5.2	10.2	56	55 13/16	8.0	12.9	15.7	28.5	91	-	-	-	-	
22	-	-	-	-	-	57	-	-	-	-	92	91 4/16	13.7	21.7	26.3	46.0	
23	22 6/16	3.0	4.4	5.8	11.7	58	57 12/16	8.4	13.5	16.4	29.5	93	-	-	-	-	
24	-	-	-	-	-	59	-	-	-	-	94	93 3/16	14.0	22.1	26.9	47.0	
25	24 5/16	3.4	4.9	6.4	13.2	60	59 12/16	8.7	14.0	17.0	30.6	95	-	-	-	-	
26	-	-	-	-	-	61	-	-	-	-	96	95 3/16	14.3	22.6	27.5	47.9	
27	26 5/16	3.7	5.4	7.0	14.7	62	61 11/16	9.0	14.6	17.6	31.6	97	-	-	-	-	
28	-	-	-	-	-	63	-	-	-	-	98	97 2/16	14.4	22.8	27.8	48.4	
29	28 4/16	4.1	5.9	7.5	15.8	64	63 11/16	9.4	15.2	18.2	32.6	99	-	-	-	-	
30	-	-	-	-	-	65	-	-	-	-	100	99 2/16	14.7	23.3	28.5	49.4	
31	30 4/16	4.4	6.4	8.1	16.8	66	65 10/16	9.7	15.6	18.7	33.7	101	-	-	-	-	
32	-	-	-	-	-	67	-	-	-	-	102	101 1/16	15.0	23.7	29.0	50.4	
33	32 3/16	4.8	6.9	8.7	17.9	68	67 10/16	10.0	16.1	19.2	34.7	103	-	-	-	-	
34	-	-	-	-	-	69	-	-	-	-	104	103 1/16	15.3	24.1	29.6	51.3	
35	34 2/16	5.0	7.2	9.0	18.5	70	69 9/16	10.4	16.5	19.8	35.7	105	-	-	-	-	
36	-	-	-	-	-	71	-	-	-	-	106	105	15.6	24.6	30.2	52.3	
37	36 2/16	5.4	7.7	9.6	19.5	72	71 9/16	10.7	17.0	20.3	36.7	107	107	15.8	25.0	30.7	53.2
38	-	-	-	-	-	73	-	-	-	-	108	-	-	-	-	-	
39	38 1/16	5.7	8.2	10.2	20.6	74	73 8/16	11.0	17.4	20.8	37.7	109	108 15/16	16.1	25.5	31.3	54.2
40	-	-	-	-	-	75	-	-	-	-	110	-	-	-	-	-	
41	40 1/16	6.0	8.7	10.8	21.5	76	75 8/16	11.3	17.9	21.4	38.7	111	110 15/16	16.4	25.9	31.9	55.2
42	-	-	-	-	-	77	-	-	-	-	112	-	-	-	-	-	
43	42	6.2	9.2	11.4	22.3	78	77 7/16	11.6	18.4	22.0	39.6	113	112 14/16	16.7	26.4	32.5	56.1
44	44	6.4	9.7	12.0	23.1	79	-	-	-	-	114	-	-	-	-	-	
45	-	-	-	-	-	80	79 7/16	11.9	18.9	22.7	40.5	115	114 14/16	17.0	26.8	33.1	57.0
46	45 15/16	6.7	10.2	12.6	23.9	81	-	-	-	-	116	-	-	-	-	-	

**Power Consumption**

Tested at Full Power with PS-UNI Series power supplies.

Standard Nominal Lengths offered provide minimal shadowing. For alternate lengths, please consult Inside Sales with specific request.

**High Efficacy (HE64)**

Nominal Length (in)	Actual Length	Watts		Nominal Length (in)	Actual Length	Watts		Nominal Length (in)	Actual Length	Watts	
		VHO	XHO			VHO	XHO			VHO	XHO
<b>12</b>	11 12/16	7.6	9.7	<b>47</b>	46 9/16	27.6	35.1	<b>82</b>	81 6/16	49.8	62.2
<b>13</b>	–	–	–	<b>48</b>	–	–	–	<b>83</b>	82 15/16	50.4	62.6
<b>14</b>	13 4/16	7.6	9.7	<b>49</b>	48 1/16	28.2	35.9	<b>84</b>	–	–	–
<b>15</b>	14 12/16	7.6	9.7	<b>50</b>	49 10/16	29.5	37.6	<b>85</b>	84 7/16	51.7	63.4
<b>16</b>	–	–	–	<b>51</b>	–	–	–	<b>86</b>	85 15/16	52.3	63.8
<b>17</b>	16 5/16	8.9	11.3	<b>52</b>	51 2/16	30.1	38.4	<b>87</b>	–	–	–
<b>18</b>	17 13/16	9.5	12.1	<b>53</b>	52 10/16	31.4	40.2	<b>88</b>	87 7/16	53.6	64.7
<b>19</b>	–	–	–	<b>54</b>	–	–	–	<b>89</b>	89	54.2	65.3
<b>20</b>	19 5/16	10.7	13.6	<b>55</b>	54 2/16	32.0	41.1	<b>90</b>	–	–	–
<b>21</b>	20 13/16	11.4	14.4	<b>56</b>	55 11/16	33.3	42.9	<b>91</b>	90 8/16	55.5	66.3
<b>22</b>	–	–	–	<b>57</b>	–	–	–	<b>92</b>	92	56.2	66.8
<b>23</b>	22 6/16	12.6	16.0	<b>58</b>	57 3/16	34.0	43.8	<b>93</b>	–	–	–
<b>24</b>	23 14/16	13.2	16.8	<b>59</b>	58 11/16	35.2	45.5	<b>94</b>	93 8/16	57.5	67.9
<b>25</b>	–	–	–	<b>60</b>	–	–	–	<b>95</b>	–	–	–
<b>26</b>	25 6/16	14.5	18.3	<b>61</b>	60 3/16	36.5	47.3	<b>96</b>	95	58.2	68.4
<b>27</b>	26 14/16	15.1	19.1	<b>62</b>	61 11/16	37.2	48.2	<b>97</b>	96 9/16	59.5	69.5
<b>28</b>	–	–	–	<b>63</b>	–	–	–	<b>98</b>	–	–	–
<b>29</b>	28 6/16	16.4	20.7	<b>64</b>	63 4/16	38.4	50.0	<b>99</b>	98 1/16	60.1	70.0
<b>30</b>	29 15/16	17.0	21.4	<b>65</b>	64 12/16	39.1	50.8	<b>100</b>	99 9/16	61.4	71.1
<b>31</b>	–	–	–	<b>66</b>	–	–	–	<b>101</b>	–	–	–
<b>32</b>	31 7/16	18.2	23.0	<b>67</b>	66 4/16	40.4	52.5	<b>102</b>	101 1/16	62.0	71.7
<b>33</b>	32 15/16	18.9	23.8	<b>68</b>	67 12/16	41.0	53.4	<b>103</b>	102 10/16	63.2	72.9
<b>34</b>	–	–	–	<b>69</b>	–	–	–	<b>104</b>	–	–	–
<b>35</b>	34 7/16	20.1	25.3	<b>70</b>	69 5/16	42.3	55.1	<b>105</b>	104 2/16	63.8	73.5
<b>36</b>	36	20.7	26.1	<b>71</b>	70 13/16	42.9	55.9	<b>106</b>	105 10/16	65.0	74.7
<b>37</b>	–	–	–	<b>72</b>	–	–	–	<b>107</b>	–	–	–
<b>38</b>	37 8/16	22.0	27.6	<b>73</b>	72 5/16	44.2	57.6	<b>108</b>	107 2/16	65.6	75.3
<b>39</b>	–	–	–	<b>74</b>	73 13/16	44.9	58.5	<b>109</b>	108 11/16	66.8	76.5
<b>40</b>	39	22.6	28.4	<b>75</b>	–	–	–	<b>110</b>	–	–	–
<b>41</b>	40 8/16	23.9	30.1	<b>76</b>	75 5/16	46.1	59.7	<b>111</b>	110 3/16	67.4	77.1
<b>42</b>	–	–	–	<b>77</b>	76 14/16	46.7	60.1	<b>112</b>	111 11/16	68.5	78.0
<b>43</b>	42	24.5	30.9	<b>78</b>	–	–	–	<b>113</b>	–	–	–
<b>44</b>	43 9/16	25.7	32.6	<b>79</b>	78 6/16	48.0	60.9	<b>114</b>	113 3/16	69.6	78.7
<b>45</b>	–	–	–	<b>80</b>	79 14/16	48.6	61.3	<b>115</b>	114 11/16	70.1	79.0
<b>46</b>	45 1/16	26.4	33.4	<b>81</b>	–	–	–	<b>116</b>	–	–	–

### Voltage Drop Calculator

The below chart assumes nominal voltage of 24 Volts and a Voltage Drop Allowance of 3% through the wire

Wattage [W]	Maximum Wire Length From Power Supply to Start of Run [ft]						
	12 AWG	14 AWG	16 AWG	18 AWG	20 AWG	22 AWG	24 AWG
<b>5</b>	1088.2	684.4	430.3	270.6	170.2	107.1	67.3
<b>10</b>	544.1	342.2	215.1	135.3	85.1	53.5	33.7
<b>15</b>	362.7	228.1	143.4	90.2	56.7	35.7	22.4
<b>20</b>	272.0	171.1	107.6	67.7	42.6	26.8	16.8
<b>25</b>	217.6	136.9	86.1	54.1	34.0	21.4	13.5
<b>30</b>	181.4	114.1	71.7	45.1	28.4	17.8	11.2
<b>35</b>	155.5	97.8	61.5	38.7	24.3	15.3	9.6
<b>40</b>	136.0	85.5	53.8	33.8	21.3	13.4	8.4
<b>45</b>	120.9	76.0	47.8	30.1	18.9	11.9	7.5
<b>50</b>	108.8	68.4	43.0	27.1	17.0	10.7	6.7
<b>55</b>	98.9	62.2	39.1	24.6	15.5	9.7	6.1
<b>60</b>	90.7	57.0	35.9	22.6	14.2	8.9	5.6
<b>65</b>	83.7	52.6	33.1	20.8	13.1	8.2	5.2
<b>70</b>	77.7	48.9	30.7	19.3	12.2	7.6	4.8
<b>75</b>	72.5	45.6	28.7	18.0	11.3	7.1	4.5
<b>80</b>	68.0	42.8	26.9	16.9	10.6	6.7	4.2
<b>85</b>	64.0	40.3	25.3	15.9	10.0	6.3	4.0
<b>90</b>	60.5	38.0	23.9	15.0	9.5	5.9	3.7
<b>96</b>	56.7	35.6	22.4	14.1	8.9	5.6	3.5

**Power Supplies**

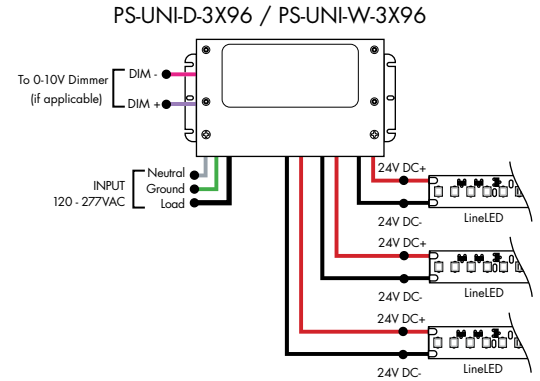
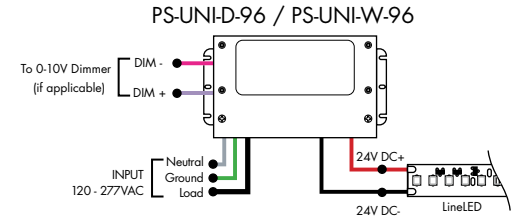
See Power Supply instructions and spec sheet for wiring information. For a complete list of compatible dimmers, see Compatible Dimming Chart on the Resources page.

**Ordering Code Universal Dimming Power Supplies 1% 120VAC - 277VAC**

MODEL	INPUT CONTROL	ENVIRONMENT	WATTAGE	OUTPUT
PS-Power Supply, 120-277VAC	UNI-0-10V Dimming, Phase Dimming	D-Dry W-Wet	30-30 Watts 60-60 Watts 96-96 Watts 3x96-3x96 Watts	24-24 VDC

Compatibility: View a complete list of compatible dimmers on product page [\(Link\)](#)

0-10V - 1% dimming  
MLV/ELV/TRIAC - 1% dimming, consult dimming compatibility chart



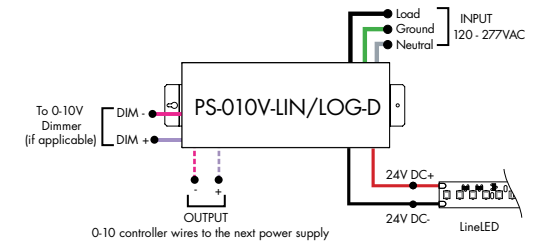
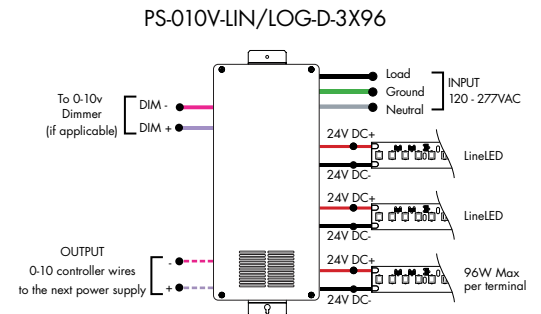
MODELS	PS-UNI-W-30W	PS-UNI-W-60W	PS-UNI-W-96W	PS-UNI-W-3X96W
<b>Length</b>	6.50"	7.40"	8.66"	11.85"
<b>Width</b>	3.73"	3.73"	3.73"	4.32"
<b>Depth</b>	1.61"	1.61"	1.61"	1.81"

MODELS	PS-UNI-D-30W	PS-UNI-D-60W	PS-UNI-D-96W	PS-UNI-D-3X96W
<b>Length</b>	8.77"	8.77"	8.11"	9.94"
<b>Width</b>	4.27"	4.27"	5.60"	7.61"
<b>Depth</b>	1.83"	1.83"	1.83"	2.02"

**Ordering Code 0-10V Dimming Power Supplies 0.1% 120VAC - 277VAC**

MODEL	INPUT CONTROL	ENVIRONMENT	WATTAGE	OUTPUT
PS-Power Supply, 120-277VAC	010V-LIN-0-10V Dimming (0.1%), Linear 010V-LOG-0-10V Dimming (0.1%), Logarithmic	D-Dry	96-96 Watts 3X96-3x96 Watts	24-24 VDC

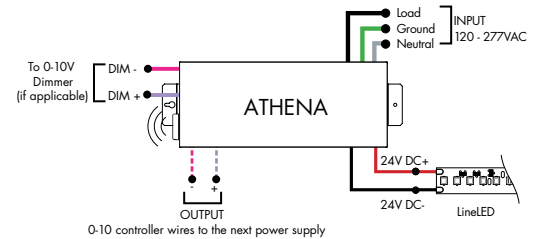
MODELS	96W	3X96
<b>Length</b>	14.40"	15.00"
<b>Width</b>	5.20"	6.62"
<b>Depth</b>	2.60"	4.45"



**Athena 0-10V LED Driver**

MODEL	INPUT CONTROL	ENVIRONMENT	WATTAGE	OUTPUT	FEATURE
PS-Power Supply, 120-277VAC	010V-LIN-0-10V Dimming, Linear 010V-LOG-0-10V Dimming, Logarithmic	D-Dry	96-96 W	24-24 VDC	AWNR-Athena

MODELS	96W
<b>Length</b>	14.40"
<b>Width</b>	5.20"
<b>Depth</b>	2.60"





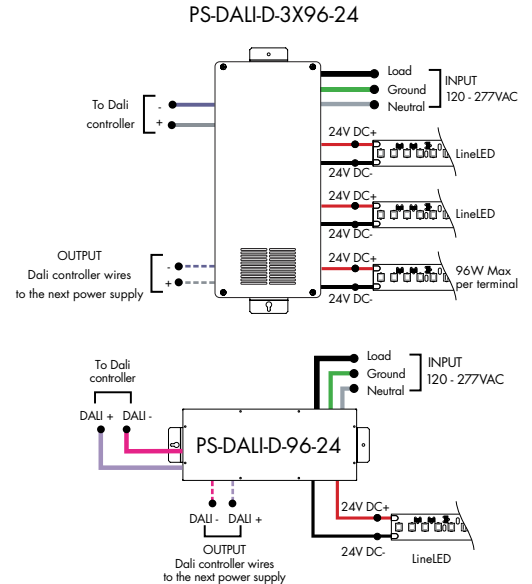
**Power Supplies**

See Power Supply instructions and spec sheet for wiring information. For a complete list of compatible dimmers, see Compatible Dimming Chart on the Resources page.

**Ordering Code DALI1 Dimming Power Supplies 0.1% 120VAC - 277VAC**

MODEL	INPUT CONTROL	ENVIRONMENT	WATTAGE	OUTPUT
PS-Power Supply, 120-277VAC	DALI-DALI (0.1%)	D-Dry	96-96 Watts 3X96-3X96 Watts	24-24 VDC

Model	96W	3X96
Length	14.40"	15.00"
Width	5.20"	6.62"
Depth	2.60"	4.56"

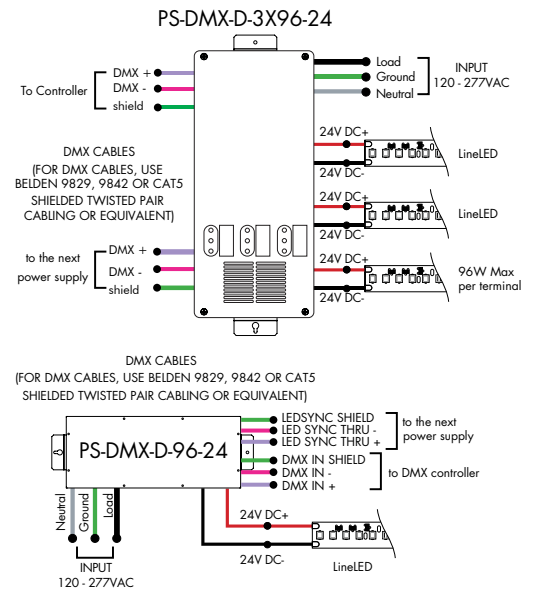


**Ordering Code DMX Dimming Power Supplies 0.1% 120VAC - 277VAC** Requires Zonal Control

MODEL	INPUT CONTROL	ENVIRONMENT	WATTAGE	OUTPUT
PS-Power Supply, 120-277VAC	DMX-DMX (0.1%)	D-Dry	96-96 Watts 3X96-3X96 Watts	24-24 VDC

\*Zonal control power supplies. Control multiple tapes/zones using DMX channels.

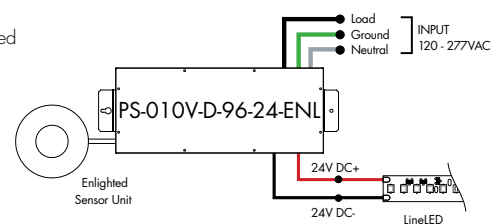
MODELS	96W	3X96
Length	14.40"	15.00"
Width	5.20"	6.62"
Depth	2.60"	4.56"



**Ordering Code Enlightened Enabled Dimming Power Supplies 1% 120VAC - 277VAC**

MODEL	INPUT CONTROL	ENVIRONMENT	WATTAGE	OUTPUT	FEATURE
PS-Power Supply, 120-277VAC	010V-0-10V Dimming (1%)	D-Dry	96-96 Watts	24-24 VDC	ENL-0-10V Enlightened

Model	96W
Length	14.40"
Width	5.20"
Depth	2.60"

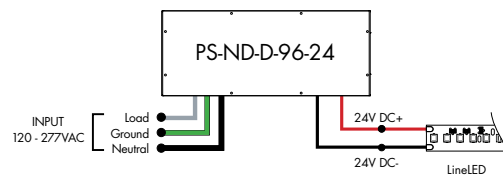


### Power Supplies

See Power Supply instructions and spec sheet for wiring information. For a complete list of compatible dimmers, see Compatible Dimming Chart on the Resources page.

#### Ordering Code Non-Dimming Power Supply 120VAC - 277VAC

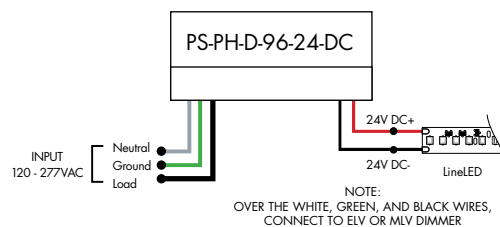
MODEL	INPUT CONTROL	ENVIRONMENT	WATTAGE	OUTPUT
PS - Power Supply, 120-277VAC	ND - Non Dimming	D - Dry	96-96 Watts	24 - 24 VDC



MODELS	96W
Length	14.40"
Width	5.20"
Depth	2.60"

#### Ordering Code Phase Dimming Power Supply 1% 120VAC - 277VAC

MODEL	INPUT CONTROL	ENVIRONMENT	WATTAGE	OUTPUT	OUTPUT CONTROL
PS - Power Supply, 120-277VAC	PH - Phase Dimming (Triac, ELV, MLV)	D - Dry	96 - 96 Watts	24 - 24 VDC	DC - Direct Current

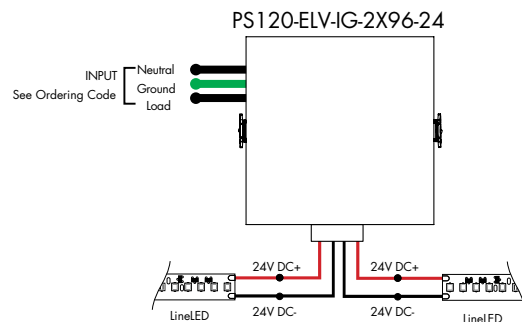


MLV/ELV/TRIAC - 1% dimming, consult dimming compatibility chart ([link](#))

MODELS	96W
Length	8.25"
Width	4.10"
Depth	1.56"

#### Ordering Code In-Ground Power Supplies

MODEL	INPUT CONTROL	ENVIRONMENT	WATTAGE	OUTPUT
PS120 - Power Supply, 120VAC PS240 - Power Supply, 240VAC PS277 - Power Supply, 277VAC	ELV - ELV Dimming (1%)	IG - In Ground	2X96 - 2X96 Watts	24 - 24 VDC



MODELS	2X96W
Length	8.40"
Width	8.30"
Depth	8.10"

**Power Supplies**

See Power Supply instructions and spec sheet for wiring information. For a complete list of compatible dimmers, see Compatible Dimming Chart on the Resources page.



Luminii is a Lutron OEM Advantage Partner

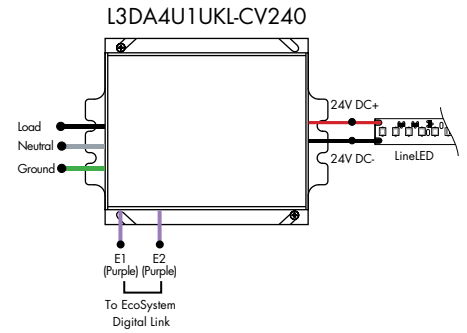
**Lutron Power Supplies 1%**

MODEL

**L3DA4U1UKL-CV240**

HiLume™ 1% EcoSystem Voltage LED driver  
40W max

MODELS	L3DA4U1UKL-CV240
<b>Length</b>	4.98"
<b>Width</b>	4.00"
<b>Depth</b>	2.62"



Luminii is a Lutron OEM Advantage Partner

**Lutron Power Supplies 0.1%**

MODEL

**L3D0-96W24V-U**

HiLume™ 0.1% EcoSystem Voltage LED Driver with Soft-On, Fade-to-Black™  
96W max

MODELS	L3D0
<b>Length</b>	10.50"
<b>Width</b>	5.50"
<b>Depth</b>	2.00"

