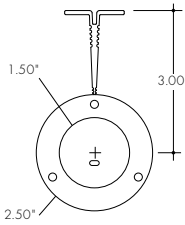


Features



- 24VDC Class 2 fixtures made to order up to 116".
- Suitable for illuminating clothing and other hanging items.
- Approved for closet/storage space installation per NEC 410.16(A) (3) and 410.16(C)(5) on outputs 5.2 W/ft or less
- Class 2 listed for damp locations
- Dot free even illumination with frosted lens
- 1/2" of space from LED is available on either end of the extrusion for field cutting.
- High Color Quality options offer premium quality and vibrant colors with R9 values up to 97 Class 2 listed for damp locations
- High Efficacy options offer best in class output and efficacy with over 640 lm/ft and up to 91 lm/W
- Average Life (L70): 50,000hrs
- 7 Year warranty



Finish Options (see page 3 for additional information)

- Base** Silver Anodized
- Powder Coat** Black Bronze White
- Premium** Matte Black Warm Nickel Aged Brass
 Polished Gold Chrome



Technical Information

MODEL	High Color Quality		High Efficacy		
	72SO	72HO	HE48LO	HE48SO	HE48MO
Lumens Output (3000K) <small>(with a Clear Lens)</small>	176 lm/ft	287 lm/ft	172 lm/ft	238 lm/ft	318 lm/ft
Average Power Consumption <small>(for a 4' section)</small>	2.8 W/ft	4.8 W/ft	1.9 W/ft	2.8 W/ft	3.5 W/ft
Efficacy	63 lm/W	60 lm/W	91 lm/W	85 lm/W	91 lm/W
Max Run Length <small>(in series)</small>	40 ft	31 ft	48 ft	42 ft	33 ft
Ambient Operating Temperature Range	-5°F - 95°F (-20°C - 35°C)	-5°F - 90°F (-20°C - 30°C)	-5°F - 95°F (-20°C - 35°C)	-5°F - 95°F (-20°C - 35°C)	-5°F - 90°F (-20°C - 30°C)

High Color Quality (72)

CCT	Multiplier <small>(reference - 3000K)</small>	CRI	TM-30		
			R _f	R _g	R ₉
1900K	0.55	96	94	97	90
2200K	0.70	96	95	101	89
2400K	0.72	98	97	101	91
2700K	0.74	97	96	101	91
3000K	1.00	97	95	104	97
3500K	1.02	97	94	105	97
4100K	1.07	97	90	99	97

High Efficacy (HE48/HE64)

CCT	Multiplier <small>(reference - 3000K)</small>	CRI	TM-30		
			R _f	R _g	R ₉
2200K	0.73	92	91	97	42
2500K	0.81	93	96	96	62
2700K	0.94	92	90	99	58
3000K	1.00	92	89	99	57
3500K	1.02	92	89	99	60
4000K	1.02	92	86	94	71

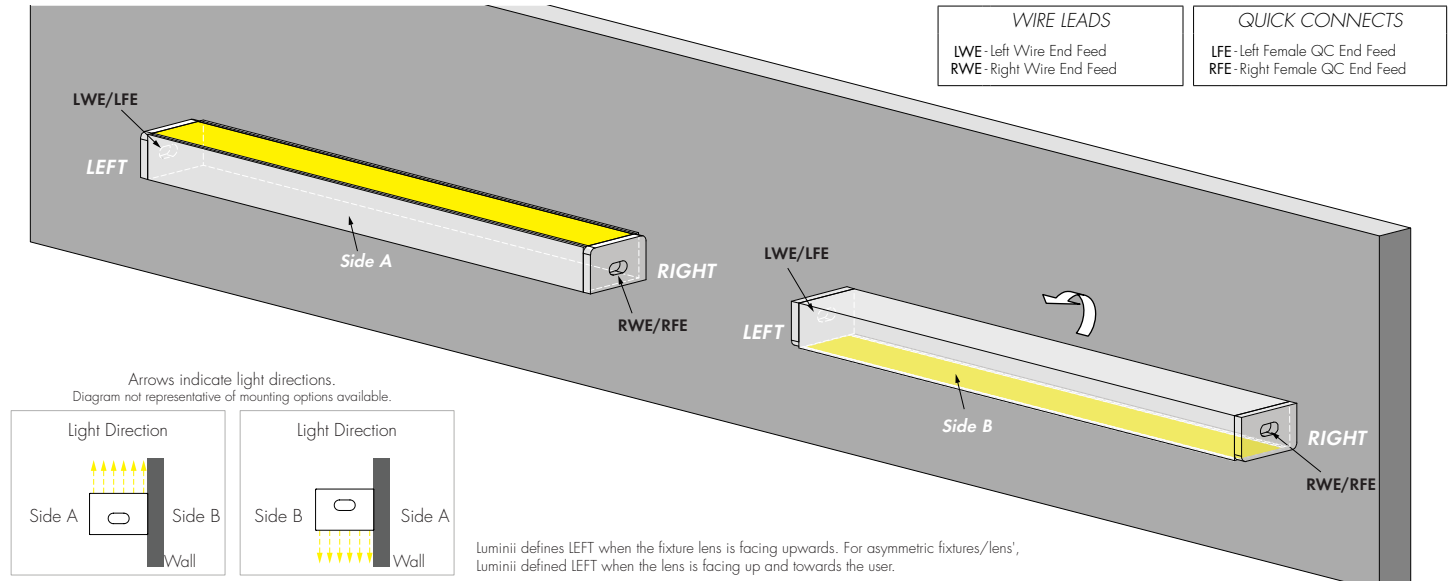
Ordering Code

MODEL	LENGTH ¹	OUTPUT ²	CCT	LENS	MOUNTING	FINISH ³	FEED POSITION LEFT ⁵	FEED POSITION RIGHT ⁵
RCR - Runda Closet Rod	12" - 116" 1" increments	72SO - High 72HO - Very High	19K - 1900K 22K - 2200K 24K - 2400K 27K - 2700K 30K - 3000K 35K - 3500K 41K - 4100K	C - Clear F - Frosted	EM - End Mounting SM - Stem Mounting	BASE SA - Silver Anodized POWDER COAT BK - Black BZ - Bronze WH - White PREMIUM MBK - Matte Black WN - Warm Nickel AB - Aged Brass PG - Polished Gold ⁴ CH - Chrome ⁴	WIRE LEADS (72") LWE - Wire End Feed LNPF - No Power Feed	WIRE LEADS (72") RWE - Wire End Feed RNPF - No Power Feed
	12" - 116" 2" increments	HE48LO - Low HE48SO - Standard HE48MO - Medium	22K - 2200K 25K - 2500K 27K - 2700K 30K - 3000K 35K - 3500K 40K - 4000K				QUICK CONNECTS (4") LFE - Female Q/C, End Feed LNPF - No Power Feed	QUICK CONNECTS (4") RFE - Female Q/C, End Feed RNPF - No Power Feed

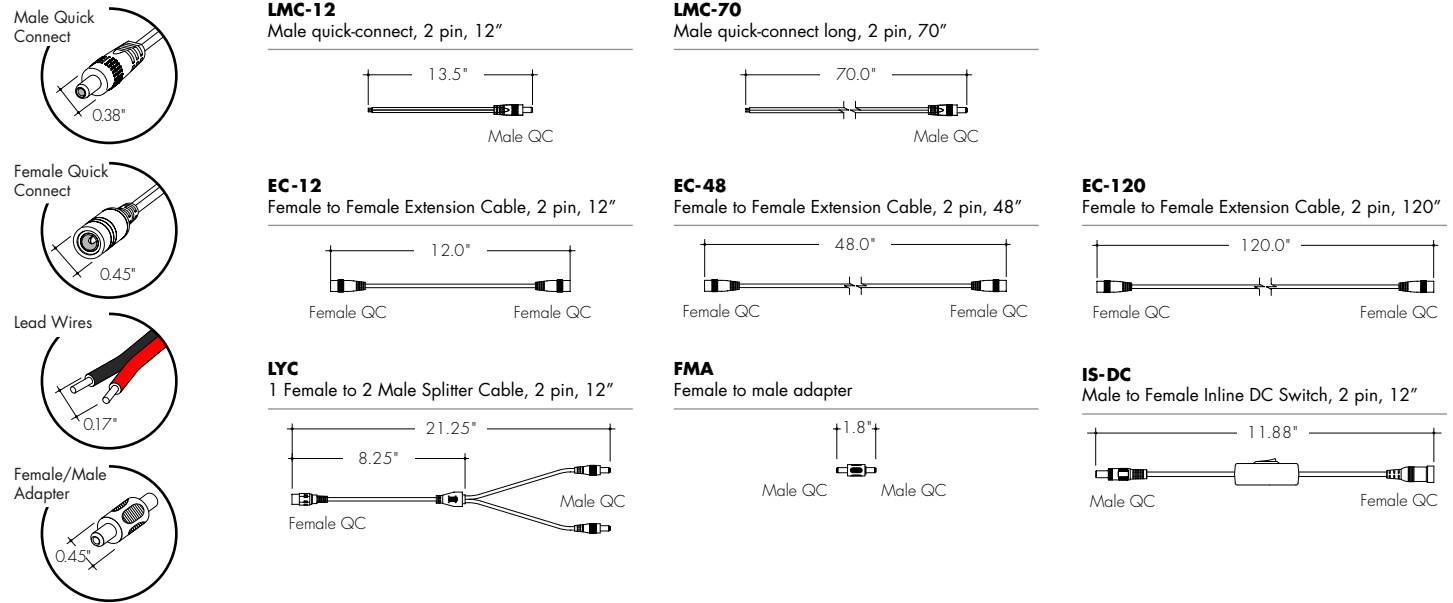
1 - Custom lengths and increments are available, please consult Inside Sales with specific request.
 2 - All High Efficacy options can be used to comply with Title 24 JA8. High Color Quality options can be used to comply with Title 24 JA8 depending on Output, CCT, and lens selections. See multiplier charts to calculate specific efficacies.
 3 - Non Base finishes may have extended lead times. Custom RALs are available, please consult Inside Sales with specific request.
 4 - Polished Gold and Chrome finishes have a maximum fixture length of 96".
 5 - LNPF - RNPF is not a valid configuration option

Powerfeeds and Connectors

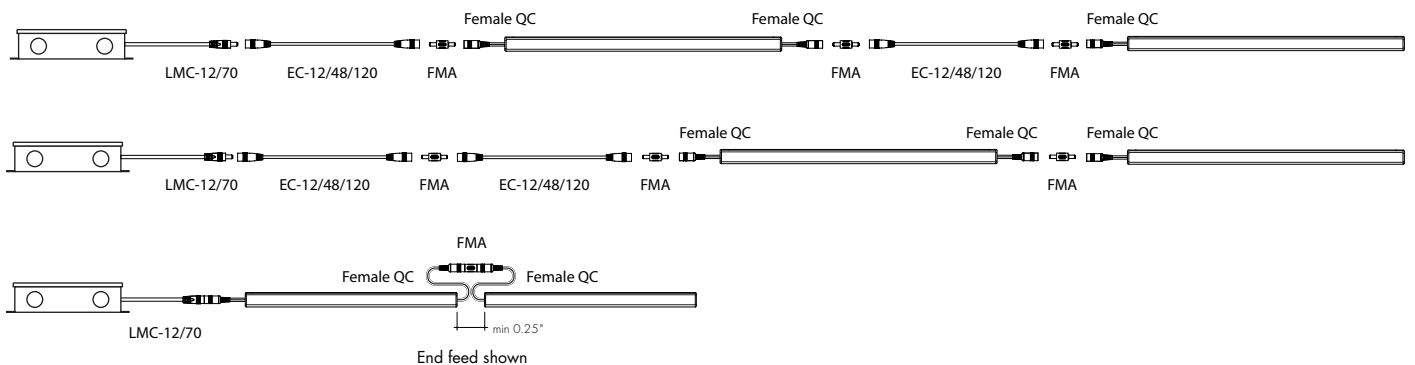
Power Feed Position Options and Orientation



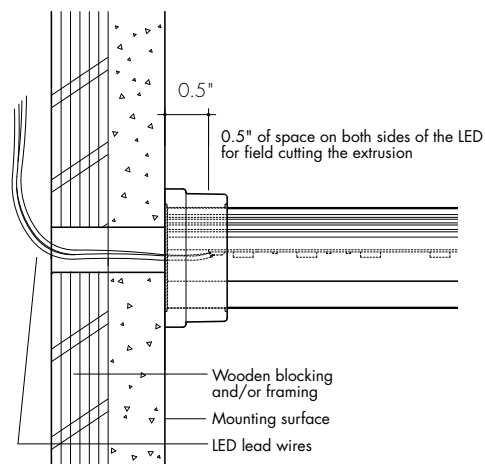
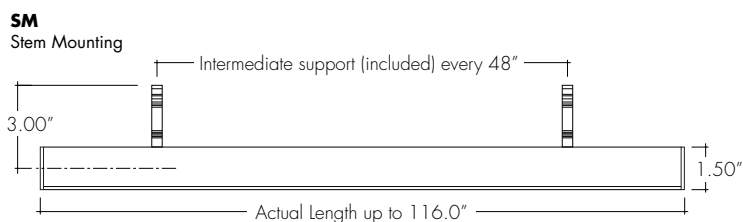
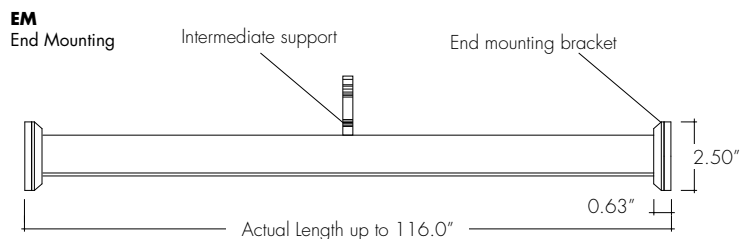
Linking and Extension Cable Options



Sample Layout



Mounting Options



Finish Options

- Finish options are available in a wide variety, allowing for complete customization of style and aesthetic.
- Non Base finishes may have extended lead times.
- Polished Gold and Chrome finishes have a maximum fixture length of 96".
- Custom RALs are available, please consult Inside Sales with specific request.

Silver Anodized Base



Silver Anodized is a soft silver with a clear finish.

Black Powder Coat



Black is a true deep black with a glossy finish.

Bronze Powder Coat



Bronze is a rich, dark brown with a satin finish.

White Powder Coat



White is a polar bright white and field paintable.

Matte Black Premium



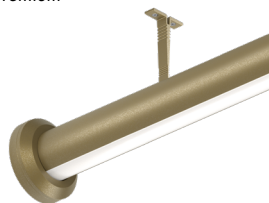
Matte Black is a dark, pitch-black with a soft flat finish.

Warm Nickel Premium



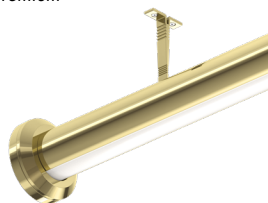
Warm Nickel is a soft, silvery smoke with warm tones and a satin finish.

Aged Brass Premium



Aged Brass is a deep brown shade with slightly golden undertones.

Polished Gold Premium



Polished Gold is bright and radiant for a brilliant finish.

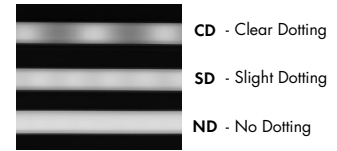
Chrome Premium



Chrome is a highly reflective silver polish.

Light Transmission and Dotting

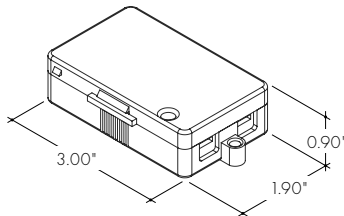
Output Options	Lens/Accessory							
	Clear				Frosted			
Dimming Level	100%	50%	10%	1%	100%	50%	10%	1%
72SO	CD	CD	CD	CD	ND	ND	ND	ND
72HO	CD	CD	CD	CD	ND	ND	ND	ND
HE48LO	CD	CD	CD	CD	ND	ND	ND	ND
HE48SO	CD	CD	CD	CD	ND	ND	ND	ND
HE48MO	CD	CD	CD	CD	ND	ND	ND	ND
Transmission Percentage	100%				63%			



Accessory Options

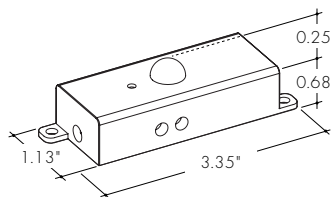
LVSP-4T-BK

Low Voltage, 4 Terminal Splice Box, Black



OS-DC-F4-BK

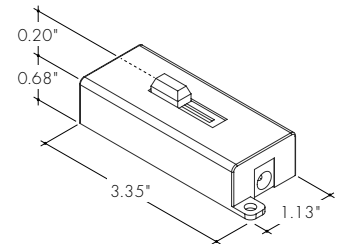
Occupancy Sensor



Male Quick Connect, FMA, LMC*, LYC, or IS-DC are required for input and output.

DIM-DC-F4-BK

24VDC Low Voltage In-line Dimmer Module

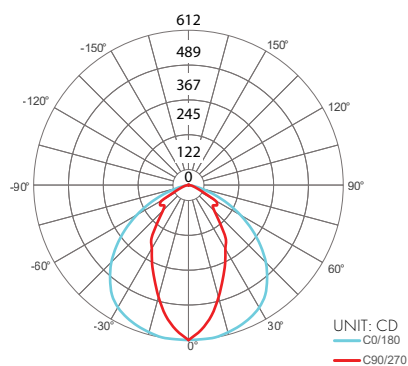


Male Quick Connect, FMA, LMC*, LYC, or IS-DC are required for input and output.

Photometry

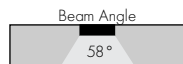
RCR-48-72HO-30K-C

Runda Closet Rod, 4ft, 72HO, 3000K, Clear Lens



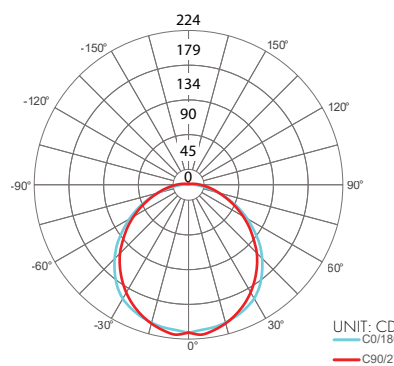
Zonal Lumen Summary 3000K

Zone	Lumen	% Fixture
0-30	412	35.9%
0-40	634	55.2%
0-60	979	85.3%
0-90	1137	99.0%
0-180	1148	100.0%



RCR-48-72HO-30K-F

Runda Closet Rod, 4ft, 72HO, 3000K, Frosted



Zonal Lumen Summary 3000K

Zone	Lumen	% Fixture
0-30	182	25.2%
0-40	302	41.7%
0-60	540	74.7%
0-90	708	97.9%
0-180	723	100.0%



Power Consumption

Tested at Full Power with PS-UNI Series power supplies.

Standard Nominal Lengths offered provide minimal shadowing. For alternate lengths, please contact factory with specific request.

High Color Quality (72)

Nominal Length (in)	End Feed Actual Length	Watts		Nominal Length (in)	End Feed Actual Length	Watts		Nominal Length (in)	End Feed Actual Length	Watts	
		SO	HO			SO	HO			SO	HO
12	10 15/16	2.7	4.4	47	46 13/16	10.2	17.1	82	81 9/16	18.1	29.2
13	12 1/16	2.7	4.4	48	48	10.5	17.4	83	82 11/16	18.3	29.5
14	13 4/16	2.7	4.4	49	—	—	—	84	83 14/16	18.5	29.8
15	14 6/16	2.9	4.8	50	49 2/16	10.7	17.8	85	—	—	—
16	15 9/16	3.1	5.2	51	50 5/16	11.1	18.6	86	85 1/16	18.7	30.1
17	16 11/16	3.4	5.6	52	51 7/16	11.4	18.9	87	86 3/16	19.2	30.8
18	17 14/16	3.6	6.0	53	52 10/16	11.6	19.3	88	87 6/16	19.4	31.1
19	—	—	—	54	53 12/16	11.9	19.7	89	88 8/16	19.6	31.5
20	19	3.9	6.5	55	54 15/16	12.1	20.1	90	89 11/16	19.9	31.8
21	20 3/16	4.4	7.3	56	—	—	—	91	90 13/16	20.1	32.2
22	21 6/16	4.6	7.7	57	56 1/16	12.3	20.5	92	92	20.4	32.5
23	22 8/16	4.8	8.1	58	57 4/16	12.8	21.3	93	—	—	—
24	23 11/16	5.1	8.6	59	58 6/16	13.1	21.6	94	93 2/16	20.6	32.9
25	24 13/16	5.3	9.0	60	59 9/16	13.3	22.0	95	94 5/16	21.1	33.6
26	26	5.6	9.4	61	60 11/16	13.6	22.4	96	95 7/16	21.3	33.9
27	—	—	—	62	61 14/16	13.8	22.8	97	96 10/16	21.5	34.2
28	27 2/16	5.8	9.8	63	—	—	—	98	97 12/16	21.8	34.6
29	28 5/16	6.2	10.5	64	63	14.0	23.1	99	98 15/16	22.0	34.9
30	29 7/16	6.5	10.9	65	64 3/16	14.5	23.8	100	—	—	—
31	30 10/16	6.7	11.2	66	65 6/16	14.7	24.1	101	100 1/16	22.2	35.2
32	31 12/16	6.9	11.6	67	66 8/16	14.9	24.4	102	101 4/16	22.5	35.9
33	32 15/16	7.1	12.0	68	67 11/16	15.1	24.7	103	102 6/16	22.7	36.2
34	—	—	—	69	68 13/16	15.3	25.0	104	103 9/16	22.9	36.5
35	34 1/16	7.3	12.3	70	70	15.5	25.4	105	104 11/16	23.1	36.8
36	35 4/16	7.8	13.1	71	—	—	—	106	105 14/16	23.3	37.1
37	36 6/16	8.0	13.4	72	71 2/16	15.8	25.7	107	—	—	—
38	37 9/16	8.2	13.8	73	72 5/16	16.2	26.3	108	107 1/16	23.5	37.4
39	38 11/16	8.4	14.2	74	73 7/16	16.4	26.6	109	108 3/16	23.9	38.1
40	39 14/16	8.7	14.5	75	74 10/16	16.6	26.9	110	109 6/16	24.1	38.4
41	—	—	—	76	75 12/16	16.8	27.3	111	110 8/16	24.3	38.7
42	41	8.9	14.9	77	76 15/16	17.1	27.6	112	111 11/16	24.5	39.0
43	42 3/16	9.3	15.6	78	—	—	—	113	112 13/16	24.8	39.3
44	43 6/16	9.6	16.0	79	78 1/16	17.3	27.9	114	114	25.0	39.6
45	44 8/16	9.8	16.4	80	79 4/16	17.7	28.5	115	—	—	—
46	45 11/16	10.0	16.7	81	80 6/16	17.9	28.9	116	115 2/16	25.2	39.9

Power Consumption

Tested at Full Power with PS-UNI Series power supplies.

Standard Nominal Lengths offered provide minimal shadowing. For alternate lengths, please contact factory with specific request.

High Efficacy (HE48)

Nominal Length (in)	End Feed Actual Length	Watts			Nominal Length (in)	End Feed Actual Length	Watts			Nominal Length (in)	End Feed Actual Length	Watts		
		LO	SO	MO			LO	SO	MO			LO	SO	MO
12	11 8/16	1.7	2.5	3.5	47	46 15/16	6.9	10.7	13.3	82	-	-	-	
13	-	-	-	-	48	-	-	-	-	83	82 6/16	12.5	19.9	23.9
14	13 8/16	1.7	2.5	3.5	49	48 14/16	7.1	11.2	13.9	84	-	-	-	
15	-	-	-	-	50	-	-	-	-	85	84 5/16	12.8	20.3	24.5
16	15 7/16	2.0	3.0	4.0	51	50 14/16	7.4	11.7	14.5	86	-	-	-	
17	-	-	-	-	52	-	-	-	-	87	86 5/16	13.1	20.8	25.1
18	17 7/16	2.4	3.5	4.6	53	52 13/16	7.7	12.3	15.1	88	-	-	-	
19	-	-	-	-	54	-	-	-	-	89	88 4/16	13.4	21.3	25.7
20	19 6/16	2.7	3.9	5.2	55	54 13/16	8.0	12.9	15.7	90	-	-	-	
21	-	-	-	-	56	-	-	-	-	91	90 4/16	13.7	21.7	26.3
22	21 6/16	3.0	4.4	5.8	57	56 12/16	8.4	13.5	16.4	92	-	-	-	
23	-	-	-	-	58	-	-	-	-	93	92 3/16	14.0	22.1	26.9
24	23 5/16	3.4	4.9	6.4	59	58 12/16	8.7	14.0	17.0	94	-	-	-	
25	-	-	-	-	60	-	-	-	-	95	94 3/16	14.3	22.6	27.5
26	25 5/16	3.7	5.4	7.0	61	60 11/16	9.0	14.6	17.6	96	-	-	-	
27	-	-	-	-	62	-	-	-	-	97	96 2/16	14.4	22.8	27.8
28	27 4/16	4.1	5.9	7.5	63	62 11/16	9.4	15.2	18.2	98	-	-	-	
29	-	-	-	-	64	-	-	-	-	99	98 2/16	14.7	23.3	28.5
30	29 4/16	4.4	6.4	8.1	65	64 10/16	9.7	15.6	18.7	100	-	-	-	
31	-	-	-	-	66	-	-	-	-	101	100 1/16	15.0	23.7	29.0
32	31 3/16	4.8	6.9	8.7	67	66 10/16	10.0	16.1	19.2	102	-	-	-	
33	-	-	-	-	68	-	-	-	-	103	102 1/16	15.3	24.1	29.6
34	33 2/16	5.0	7.2	9.0	69	68 9/16	10.4	16.5	19.8	104	-	-	-	
35	-	-	-	-	70	-	-	-	-	105	104	15.6	24.6	30.2
36	35 2/16	5.4	7.7	9.6	71	70 9/16	10.7	17.0	20.3	106	106	15.8	25.0	30.7
37	-	-	-	-	72	-	-	-	-	107	-	-	-	-
38	37 1/16	5.7	8.2	10.2	73	72 8/16	11.0	17.4	20.8	108	107 15/16	16.1	25.5	31.3
39	-	-	-	-	74	-	-	-	-	109	-	-	-	-
40	39 1/16	6.0	8.7	10.8	75	74 8/16	11.3	17.9	21.4	110	109 15/16	16.4	25.9	31.9
41	-	-	-	-	76	-	-	-	-	111	-	-	-	-
42	41	6.2	9.2	11.4	77	76 7/16	11.6	18.4	22.0	112	111 14/16	16.7	26.4	32.5
43	43	6.4	9.7	12.0	78	-	-	-	-	113	-	-	-	-
44	-	-	-	-	79	78 7/16	11.9	18.9	22.7	114	113 14/16	17.0	26.8	33.1
45	44 15/16	6.7	10.2	12.6	80	-	-	-	-	115	-	-	-	-
46	-	-	-	-	81	80 6/16	12.2	19.4	23.3	116	115 13/16	17.3	27.3	33.7

Voltage Drop Calculator

The below chart assumes nominal voltage of 24 Volts and a Voltage Drop Allowance of 3% through the wire

Wattage [W]	Wire Length From Power Supply to Start of Run [ft]						
	12 AWG	14 AWG	16 AWG	18 AWG	20 AWG	22 AWG	24 AWG
5	1088.2	684.4	430.3	270.6	170.2	107.1	67.3
10	544.1	342.2	215.1	135.3	85.1	53.5	33.7
15	362.7	228.1	143.4	90.2	56.7	35.7	22.4
20	272.0	171.1	107.6	67.7	42.6	26.8	16.8
25	217.6	136.9	86.1	54.1	34.0	21.4	13.5
30	181.4	114.1	71.7	45.1	28.4	17.8	11.2
35	155.5	97.8	61.5	38.7	24.3	15.3	9.6
40	136.0	85.5	53.8	33.8	21.3	13.4	8.4
45	120.9	76.0	47.8	30.1	18.9	11.9	7.5
50	108.8	68.4	43.0	27.1	17.0	10.7	6.7
55	98.9	62.2	39.1	24.6	15.5	9.7	6.1
60	90.7	57.0	35.9	22.6	14.2	8.9	5.6
65	83.7	52.6	33.1	20.8	13.1	8.2	5.2
70	77.7	48.9	30.7	19.3	12.2	7.6	4.8
75	72.5	45.6	28.7	18.0	11.3	7.1	4.5
80	68.0	42.8	26.9	16.9	10.6	6.7	4.2
85	64.0	40.3	25.3	15.9	10.0	6.3	4.0
90	60.5	38.0	23.9	15.0	9.5	5.9	3.7
96	56.7	35.6	22.4	14.1	8.9	5.6	3.5

Power Supplies

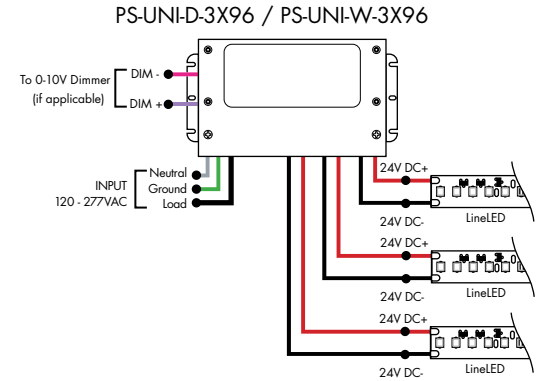
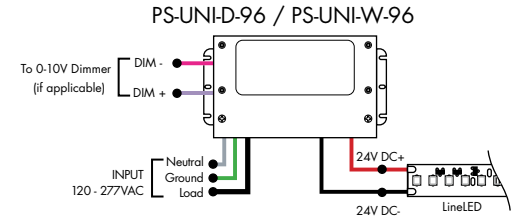
See Power Supply instructions and spec sheet for wiring information. For a complete list of compatible dimmers, see Compatible Dimming Chart on the Resources page.

Ordering Code Universal Dimming Power Supplies 1% 120VAC - 277VAC

MODEL	INPUT CONTROL	ENVIRONMENT	WATTAGE	OUTPUT
PS-Power Supply, 120-277VAC	UNI-0-10V Dimming, Phase Dimming	D-Dry W-Wet	30-30 Watts 60-60 Watts 96-96 Watts 3x96-3x96 Watts	24-24 VDC

Compatibility: View a complete list of compatible dimmers on product page [\(Link\)](#)

0-10V - 1% dimming
MLV/ELV/TRIAC - 1% dimming, consult dimming compatibility chart



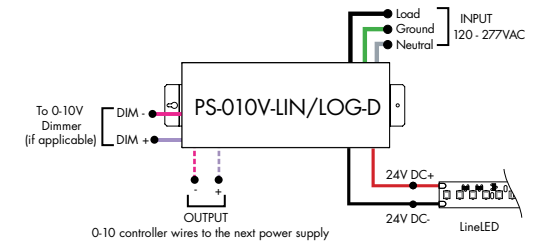
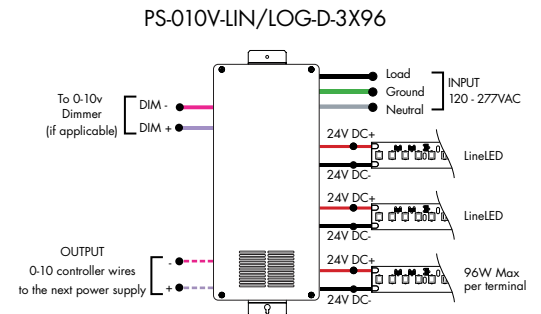
MODELS	PS-UNI-W-30W	PS-UNI-W-60W	PS-UNI-W-96W	PS-UNI-W-3X96W
Length	6.50"	7.40"	8.66"	11.85"
Width	3.73"	3.73"	3.73"	4.32"
Depth	1.61"	1.61"	1.61"	1.81"

MODELS	PS-UNI-D-30W	PS-UNI-D-60W	PS-UNI-D-96W	PS-UNI-D-3X96W
Length	8.77"	8.77"	8.11"	9.94"
Width	4.27"	4.27"	5.60"	7.61"
Depth	1.83"	1.83"	1.83"	2.02"

Ordering Code 0-10V Dimming Power Supplies 0.1% 120VAC - 277VAC

MODEL	INPUT CONTROL	ENVIRONMENT	WATTAGE	OUTPUT
PS-Power Supply, 120-277VAC	010V-LIN-0-10V Dimming (0.1%), Linear 010V-LOG-0-10V Dimming (0.1%), Logarithmic	D-Dry	96-96 Watts 3X96-3x96 Watts	24-24 VDC

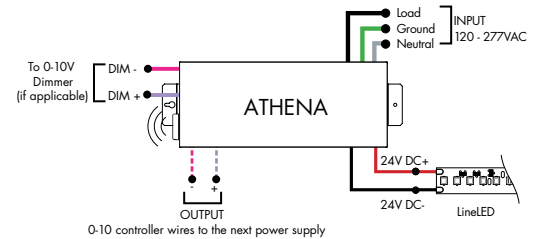
MODELS	96W	3X96
Length	14.40"	15.00"
Width	5.20"	6.62"
Depth	2.60"	4.45"



Athena 0-10V LED Driver

MODEL	INPUT CONTROL	ENVIRONMENT	WATTAGE	OUTPUT	FEATURE
PS-Power Supply, 120-277VAC	010V-LIN-0-10V Dimming, Linear 010V-LOG-0-10V Dimming, Logarithmic	D-Dry	96-96 W	24-24 VDC	AWNR-Athena

MODELS	96W
Length	14.40"
Width	5.20"
Depth	2.60"



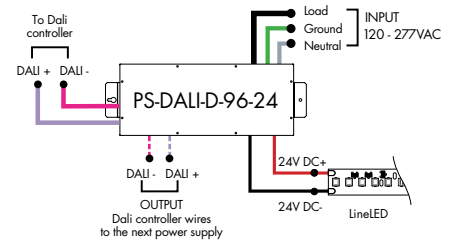
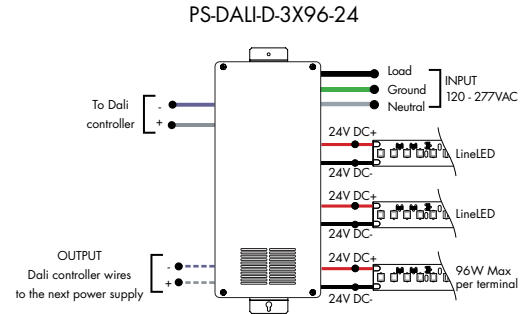
Power Supplies

See Power Supply instructions and spec sheet for wiring information. For a complete list of compatible dimmers, see Compatible Dimming Chart on the Resources page.

Ordering Code DALI1 Dimming Power Supplies 0.1% 120VAC - 277VAC

MODEL	INPUT CONTROL	ENVIRONMENT	WATTAGE	OUTPUT
PS-Power Supply, 120-277VAC	DALI-DALI (0.1%)	D-Dry	96-96 Watts 3X96-3X96 Watts	24-24 VDC

Model	96W	3X96
Length	14.40"	15.00"
Width	5.20"	6.62"
Depth	2.60"	4.56"

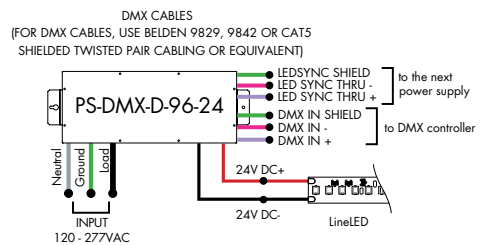
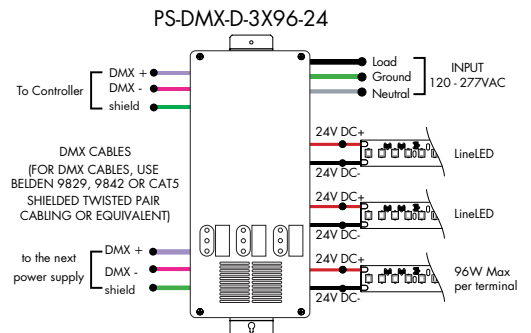


Ordering Code DMX Dimming Power Supplies 0.1% 120VAC - 277VAC Requires Zonal Control

MODEL	INPUT CONTROL	ENVIRONMENT	WATTAGE	OUTPUT
PS-Power Supply, 120-277VAC	DMX-DMX (0.1%)	D-Dry	96-96 Watts 3X96-3X96 Watts	24-24 VDC

*Zonal control power supplies. Control multiple tapes/zones using DMX channels.

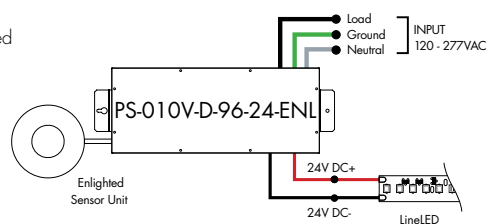
MODELS	96W	3X96
Length	14.40"	15.00"
Width	5.20"	6.62"
Depth	2.60"	4.56"



Ordering Code Enlightened Enabled Dimming Power Supplies 1% 120VAC - 277VAC

MODEL	INPUT CONTROL	ENVIRONMENT	WATTAGE	OUTPUT	FEATURE
PS-Power Supply, 120-277VAC	010V-0-10V Dimming (1%)	D-Dry	96-96 Watts	24-24 VDC	ENL-0-10V Enlightened

Model	96W
Length	14.40"
Width	5.20"
Depth	2.60"

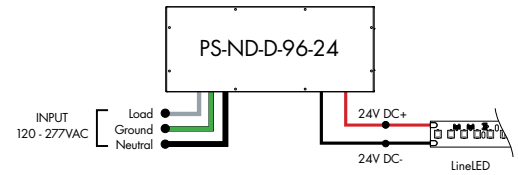


Power Supplies

See Power Supply instructions and spec sheet for wiring information. For a complete list of compatible dimmers, see Compatible Dimming Chart on the Resources page.

Ordering Code Non-Dimming Power Supply 120VAC - 277VAC

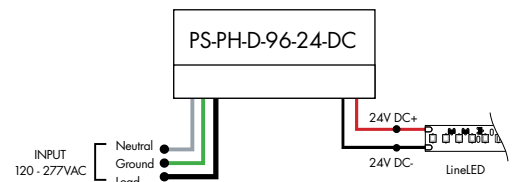
MODEL	INPUT CONTROL	ENVIRONMENT	WATTAGE	OUTPUT
PS - Power Supply, 120-277VAC	ND - Non Dimming	D - Dry	96-96 Watts	24 - 24 VDC



MODELS	96W
Length	14.40"
Width	5.20"
Depth	2.60"

Ordering Code Phase Dimming Power Supply 1% 120VAC - 277VAC

MODEL	INPUT CONTROL	ENVIRONMENT	WATTAGE	OUTPUT	OUTPUT CONTROL
PS - Power Supply, 120-277VAC	PH - Phase Dimming (Triac, ELV, MLV)	D - Dry	96-96 Watts	24-24 VDC	DC - Direct Current



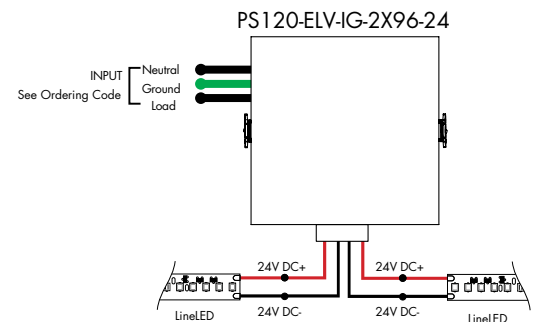
NOTE:
OVER THE WHITE, GREEN, AND BLACK WIRES,
CONNECT TO ELV OR MLV DIMMER

MLV/ELV/TRIAC - 1% dimming, consult dimming compatibility chart ([link](#))

MODELS	96W
Length	8.25"
Width	4.10"
Depth	1.56"

Ordering Code In-Ground Power Supplies

MODEL	INPUT CONTROL	ENVIRONMENT	WATTAGE	OUTPUT
PS120 - Power Supply, 120VAC PS240 - Power Supply, 240VAC PS277 - Power Supply, 277VAC	ELV - ELV Dimming (1%)	IG - In Ground	2X96-2X96 Watts	24-24 VDC



MODELS	2X96W
Length	8.40"
Width	8.30"
Depth	8.10"

Power Supplies

See Power Supply instructions and spec sheet for wiring information. For a complete list of compatible dimmers, see Compatible Dimming Chart on the Resources page.



Luminii is a Lutron OEM Advantage Partner

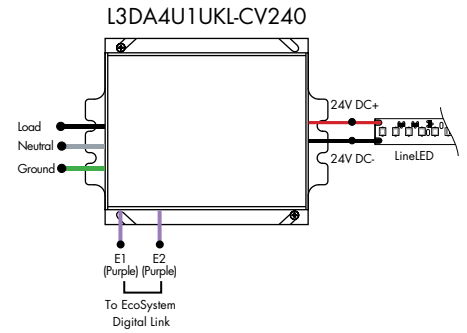
Lutron Power Supplies 1%

MODEL

L3DA4U1UKL-CV240

HiLume™ 1% EcoSystem Voltage LED driver
40W max

MODELS	L3DA4U1UKL-CV240
Length	4.98"
Width	4.00"
Depth	2.62"



Luminii is a Lutron OEM Advantage Partner

Lutron Power Supplies 0.1%

MODEL

L3D0-96W24V-U

HiLume™ 0.1% EcoSystem Voltage LED Driver with Soft-On, Fade-to-Black™
96W max

MODELS	L3D0
Length	10.50"
Width	5.50"
Depth	2.00"

